



EdgeMax EM90 & EM180 In-ceiling Loudspeakers


Installation Guide.....	2	Monteringsveiledning.....	44
Guía de instalación.....	9	Instrukcja montażu.....	51
Notice d'installation.....	16	安裝指南.....	58
Installationsanleitung.....	23	安裝指南.....	65
Guida all'installazione.....	30	設置ガイド.....	72
Installatiehandleiding.....	37	79.....	دليل التركيب

Please read and keep all safety and use instructions.


This product is intended for installation by professional installers only! This document is intended to provide professional installers with basic installation and safety guidelines for this product in typical fixed-installation systems. Please read this document and all safety warnings before attempting installation.

Do not attempt to service this product yourself. Refer all servicing to authorized service centers, installers, technicians, dealers or distributors. To contact Bose Professional or to find a dealer or distributor near you, visit **PRO.BOSE.COM**.

1. Read these instructions.
2. Keep these instructions.
3. Heed all warnings.
4. Follow all instructions.
5. Do not use this apparatus near water.
6. Clean only with a dry cloth.
7. Do not block any ventilation openings. Install in accordance with the manufacturer's instructions.
8. Do not install near any heat sources such as radiators, heat registers, stoves, or other apparatus (including amplifiers) that produces heat.
9. Only use attachments/accessories specified by the manufacturer.



WARNINGS/CAUTIONS



This product contains magnetic material. Consult your physician on whether this might affect your implantable medical device.

- All Bose products must be installed in accordance with local, state, federal and industry regulations. It is the installer's responsibility to ensure installation of the loudspeakers and mounting system is performed in accordance with all applicable codes, including local building codes and regulations. Consult the local authority having jurisdiction before installing this product.
- Unsafe mounting or overhead suspension of any heavy load can result in serious injury or death, and property damage. It is the installer's responsibility to evaluate the reliability of any mounting method used for their application. Only professional installers with the knowledge of proper hardware and safe mounting techniques should attempt to install any loudspeaker overhead.
- Do not mount the product in locations where condensation may occur.
- This product is not intended for installation or use in indoor water facility areas (including, without limitation, indoor pools, indoor water parks, hot tub rooms, saunas, steam rooms and indoor skating rinks).
- Do not mount on surfaces that are not sturdy, or that have hazards concealed behind them, such as electrical wiring or plumbing. If you are not sure about installing the bracket, contact a qualified professional installer. Ensure the bracket is installed according to local building codes.
- Use only the hardware and accessories included or specified by Bose for use with EdgeMax EM90 & EM180 loudspeakers. For information on compatible accessories, see the product's technical data sheet at **PRO.BOSE.COM**.
- Do not make unauthorized alterations to this product.
- Do not use hydrocarbon based solvents, lubricants or cleaning agents of any type on or around this loudspeaker and associated mounting hardware during installation. Exposure to such substances can lead to degradation of the plastic material, resulting in cracking and creating a falling hazard.
- Clean speakers using only a dry cloth. Do not expose loudspeaker to soap, detergent, mineral oil, alcohol or other cleaning agents or chemicals.
- The grille is equipped with a safety lanyard pin designed for a single use.


Product Ratings:


Input Voltage: 70V/100V

Impedance: 8 Ω, 125 W

Current or Power: (70V): 2.5W, 5W, 10W, 20W, 40W, 80W; (100V): 5W, 10W, 20W, 40W, 80W

Regulatory Information

 This product conforms to all applicable EU directive requirements. The complete declaration of conformity can be found at: www.Bose.com/compliance.

 This symbol means the product must not be discarded as household waste, and should be delivered to an appropriate collection facility for recycling. Proper disposal and recycling helps protect natural resources, human health and the environment. For more information on disposal and recycling of this product, contact your local municipality, disposal service, or the shop where you bought this product.

China Restriction of Hazardous Substances Table

Names and Contents of Toxic or Hazardous Substances or Elements						
Part Name	Toxic or Hazardous Substances and Elements					
	Lead (Pb)	Mercury (Hg)	Cadmium (Cd)	Hexavalent Chromium (Cr(VI))	Polybrominated Biphenyl (PBB)	Polybrominated diphenylether (PBDE)
PCBs	X	0	0	0	0	0
Metal Parts	X	0	0	0	0	0
Plastic Parts	0	0	0	0	0	0
Speakers	X	0	0	0	0	0
Cables	X	0	0	0	0	0

This table is prepared in accordance with the provisions of SJ/T 11364.
 0: Indicates that this toxic or hazardous substance contained in all of the homogeneous materials for this part is below the limit requirement of GB/T 26572.
 X: Indicates that this toxic or hazardous substance contained in at least one of the homogeneous materials used for this part is above the limit requirement of GB/T 26572.

Taiwan Restriction of Hazardous Substances Table

Equipment name: EdgeMax EM90 & EM180, Type designation: 778844, 777189						
Unit	Restricted substances and its chemical symbols					
	Lead (Pb)	Mercury (Hg)	Cadmium (Cd)	Hexavalent chromium (Cr+6)	Polybrominated biphenyls (PBB)	Polybrominated diphenyl ethers (PBDE)
PCBs	-	0	0	0	0	0
Metal Parts	-	0	0	0	0	0
Plastic Parts	0	0	0	0	0	0
Speakers	-	0	0	0	0	0
Cables	-	0	0	0	0	0

Note 1: "0" indicates that the percentage content of the restricted substance does not exceed the percentage of reference value of presence.
Note 2: The "-" indicates that the restricted substance corresponds to the exemption.

Date of Manufacture: The eighth digit in the serial number indicates the year of manufacture; "7" is 2007 or 2017.

China Importer: Bose Electronics (Shanghai) Company Limited, Part C, Plant 9, No. 353 North Ruyi Road, China (Shanghai) Pilot Free Trade Zone

EU Importer: Bose Products B.V., Gorslaan 60, 1441 RG Purmerend, The Netherlands

Mexico Importer: Bose de México, S. de R.L. de C.V., Paseo de las Palmas 405-204, Lomas de Chapultepec, 11000 México, D.F. For importer & service information: +5255 (5202) 3545

Taiwan Importer: Bose Taiwan Branch, 9F-A1, No. 10, Section 3, Minsheng East Road, Taipei City 104, Taiwan. Phone Number: +886-2-2514 7676

Bose and EdgeMax are trademarks of Bose Corporation.

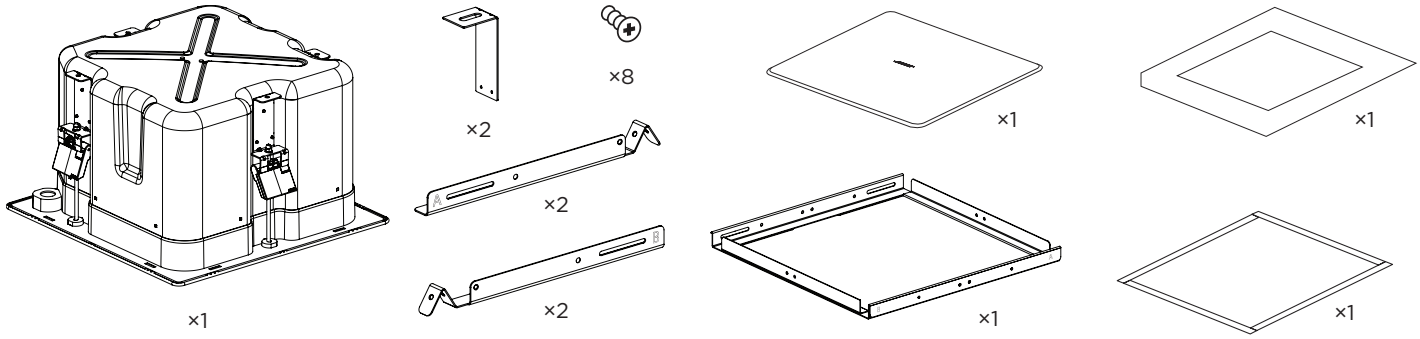
Bose Corporation Headquarters: 1-877-230-5639

©2019 Bose Corporation. No part of this work may be reproduced, modified, distributed or otherwise used without prior written permission.

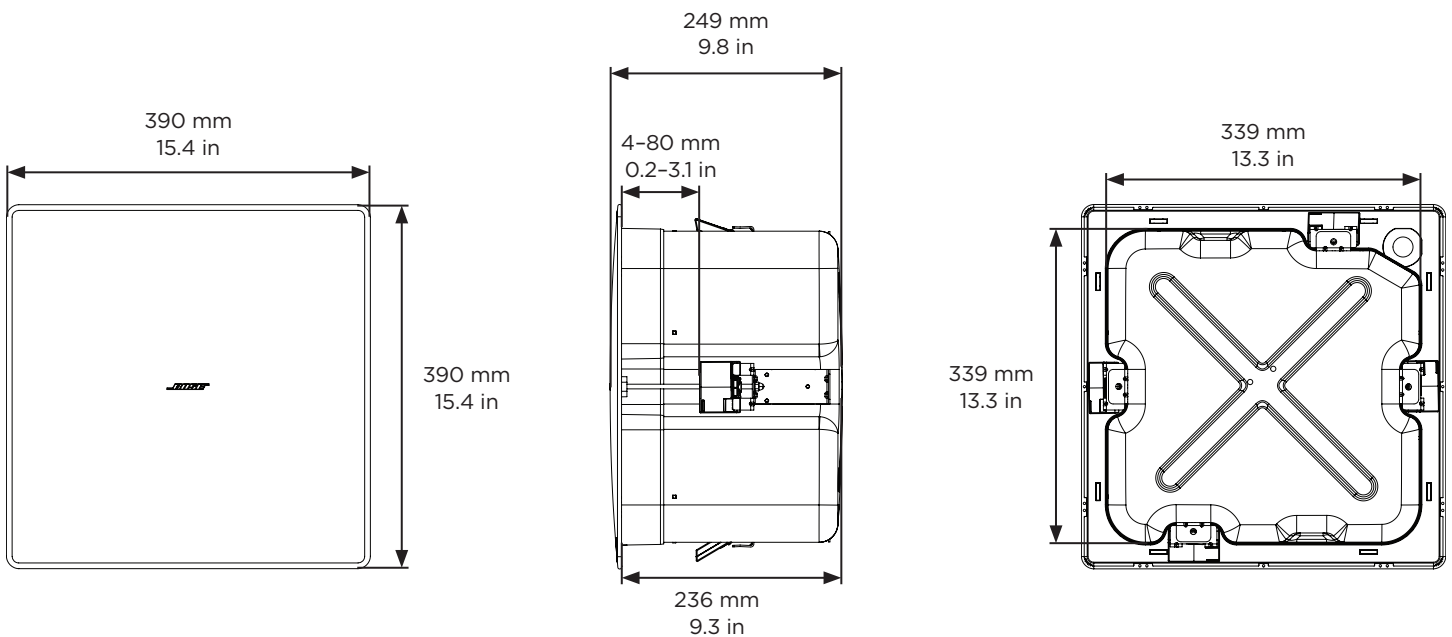
Warranty Information

This product is covered by a limited warranty. For warranty details, visit **PRO.BOSE.COM**.

Package Contents



Product Dimensions



Technical Specifications

For additional specifications, see the EdgeMax EM90 & EM180 technical data sheet at PRO.BOSE.COM.

Physical	
Product Dimensions	Grille: 390 mm x 390 mm (15.4 in x 15.4 in)
	Enclosure: 339 mm x 339 mm (13.3 in x 13.3 in)
	Backcan depth: 236 mm (9.3 in)
Hole cutout	345 mm x 345 mm (13.6 in x 13.6 in)
Maximum Ceiling Thickness	80 mm (3.1 in)
Net Weight, Loudspeaker with grille	10.1 kg (22.2 lb)
Net Weight, Tile Bridge	1.4 kg (3.1 lb)
Shipping Weight	12.5 kg (27.6 lb)

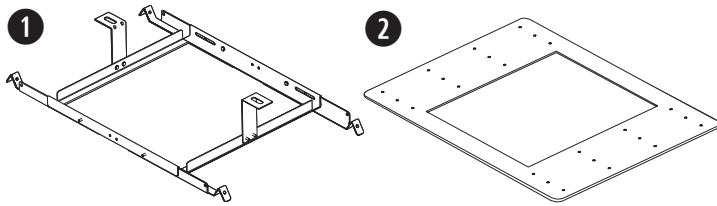
Important Installation Information

- ⚠ It is the installer's responsibility to ensure installation of the loudspeakers and mounting system is performed in accordance with all applicable codes, including local building codes and regulations. Consult the local authority having jurisdiction before installing this product.
- It is the responsibility of the installer to ensure the safety of the loudspeaker installation. Failure to properly install the loudspeaker could result in damage, injury, or death.
- Do not mount the product in locations where condensation may occur.
- ⚠ This product is not intended for installation or use in indoor water facility areas (including, without limitation, indoor pools, indoor water parks, hot tub rooms, saunas, steam rooms and indoor skating rinks).
- Do not mount on surfaces that are not sturdy, or that have hazards concealed behind them, such as electrical wiring or plumbing. If you are not sure about installing the bracket, contact a qualified professional installer. Ensure the bracket is installed according to local building codes.
- ⚠ Do not use hydrocarbon based solvents, lubricants or cleaning agents of any type on or around this loudspeaker and associated mounting hardware during installation. Exposure to such substances can lead to degradation of the plastic material, resulting in cracking and creating a falling hazard.

Installation Options

Installation Options and Accessories

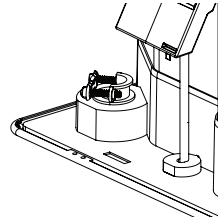
- ❶ Adjustable Tile Bridge (included)
- ❷ Rough-in Pan (optional)



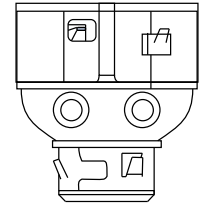
Conduit Fitting

If using a flexible metal conduit, use with a 3/8-inch conduit fitting or a 3/8-inch dual (duplex) connector.

Note: Conduit fittings are not provided.



3/8-inch single in



3/8-inch duplex in/loop

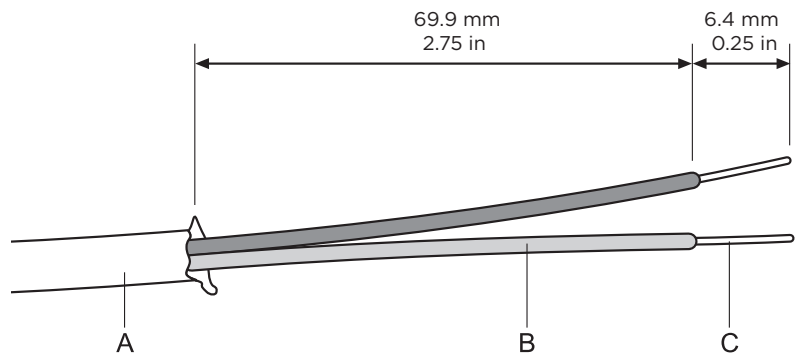
Wiring the Loudspeaker

With Use of Direct Input Terminals

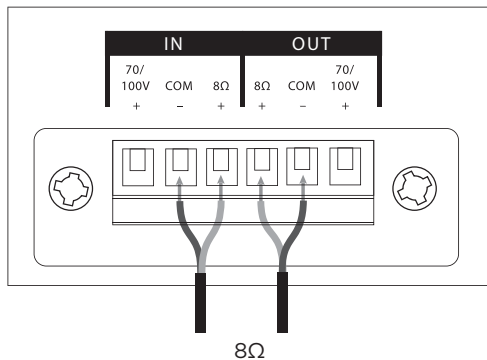
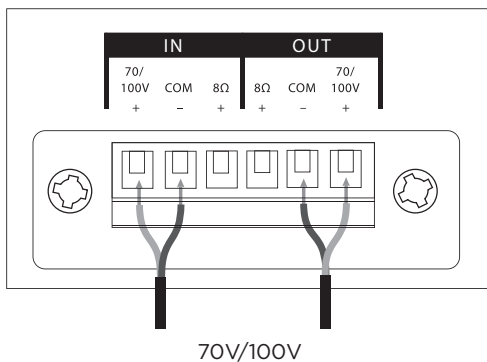
Wire gauge requirements from loudspeaker line wiring to loudspeaker terminals: Use 18 AWG (0.8 mm²) to 14 AWG (2.5 mm²) size wire only.

Preparing the Wire

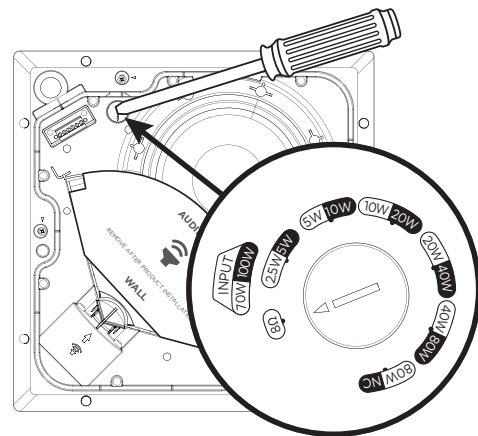
Trim back the outer jacket (A) and some of the wire insulation (B) to expose enough bare wire (C) to attach to the terminals.



Connection Diagrams



Loudspeaker Settings



70V						8Ω
2.5W*	5W	10W	20W	40W	80W	
5W*	10W	20W	40W	80W	NC**	
100V						

* Factory default

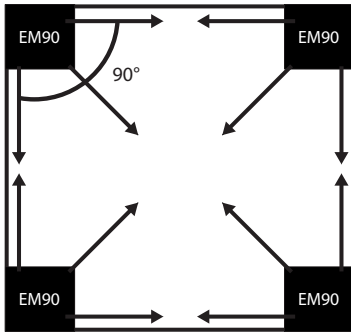
** NC: No Connection (do not use)

Transformer Tap Setting

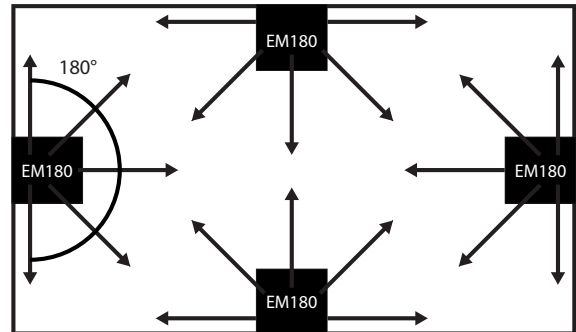
Set tap by turning. Use a flat head screwdriver.

Preparing the Installation

Install the EM90 in a corner. See below for the room placement top view.



Install the EM180 along a wall. See below for the room placement top view.



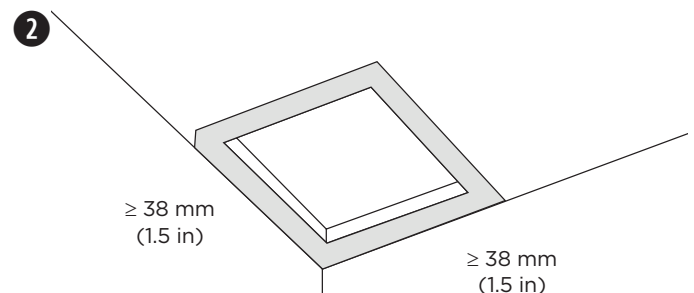
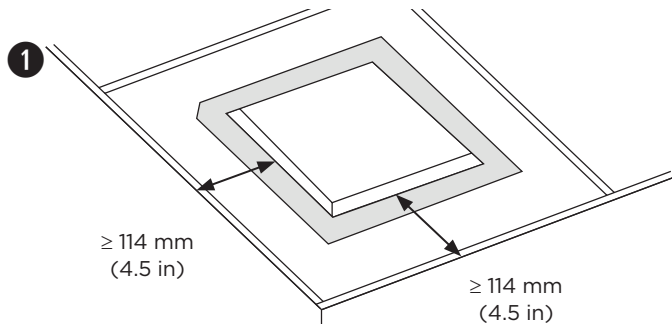
Note: Keep the phase guide protector in place until installation is complete.

Loudspeaker Placement

When installing the loudspeaker near a wall-ceiling interface, allow sufficient space for the grille overhang. The grille must be flush with the ceiling surface so the magnets can fully engage.

Use the enclosed template to ensure appropriate dimensions for the loudspeaker cutout and placement.

1. For EM90 or EM180 in ceiling tile: Place the loudspeaker opening at least 114 millimeters (4.5 inches) from each wall to allow space for the tile bridge.
2. For EM90 or EM180 in hard ceiling: Place the cardboard template flush with the corner (EM90) or wall (EM180). This leaves at least 38 millimeters (1.5 inches) from each wall to accommodate the grille.



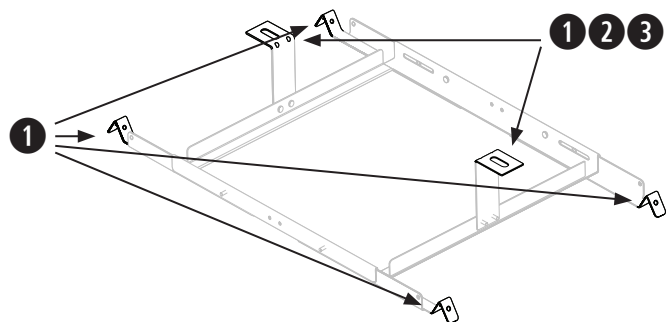
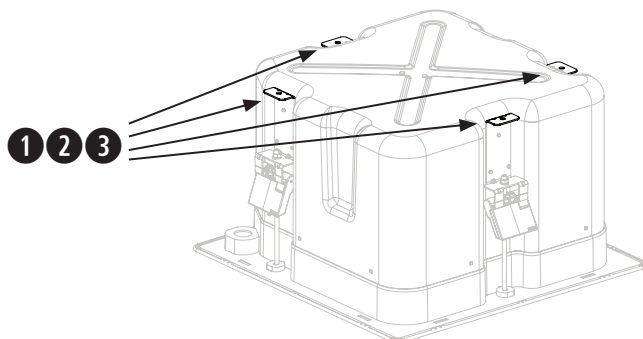
Note: Installation in close proximity to cooking surfaces where the loudspeaker may be directly exposed to cooking oils, steam, vapor, or high heat such as in commercial cooking environments may decrease the performance or reliability of the loudspeaker.

Using a Safety Cable

Some regional construction codes require the use of a secondary method of securing loudspeakers to support structures to provide additional safety. Choose a mounting position, method, and hardware consistent with local building codes and regulations.

Bose recommends using (1) a safety wire, (2) a safety cable, or (3) a threaded rod as a secondary securing mechanism. See the diagrams below for safety attachment points.

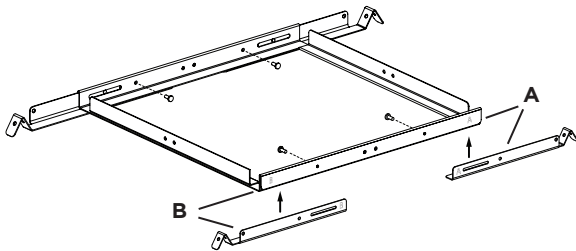
Follow the manufacturer's instructions for any secondary securing mechanism implemented.



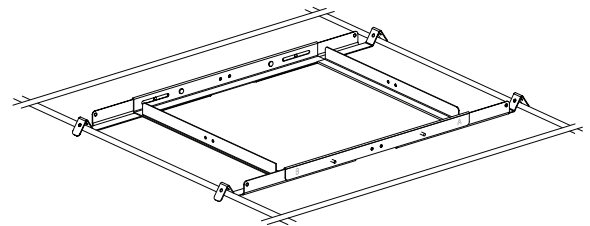
Assemble the Tile Bridge

1. Attach the four rails to the center frame using four of the included screws. Insert the screws from the inside of the tile bridge. The rails and center frame are labeled A and B to identify the correct attachment points.
2. Adjust the length of the tile bridge rails so the rails rest securely on the ceiling grid or furring.
Note: The tile bridge supports 56 to 66 centimeters (22 to 26 inches) spacing.
3. Tighten the four screws securing the tile bridge rails to the center frame.
4. Optional: Attach the L-brackets to the tile bridge to create an additional connection point for a safety wire, safety cable, or threaded rod. For more information, see **Using a Safety Cable** on page 5.
Note: Place the L-brackets in a position that does not prevent the anchors on the loudspeaker from fully engaging on the tile bridge.

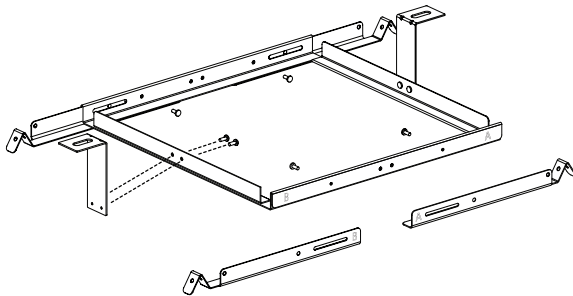
1



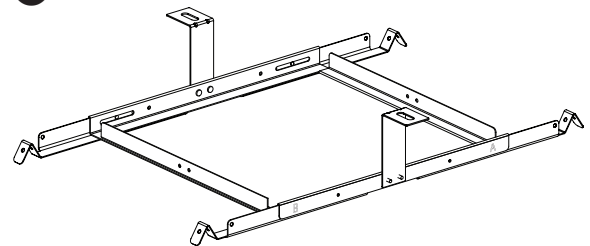
2



4



4

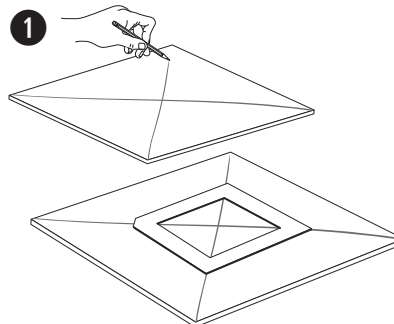


Preparing Acoustic Ceiling Tile

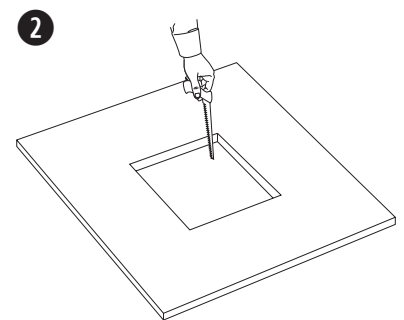
Cutting the Ceiling Tile

1. Remove the tile and use the template to trace a loudspeaker hole onto the tile. To center the template on the tile, draw an X by connecting the corners diagonally and center the template using the crossing point.
2. Cut a hole into the tile.

1



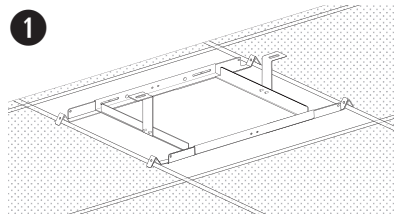
2



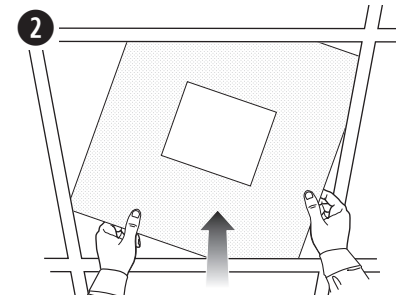
Installing the Tile Bridge

1. Place the assembled tile bridge across the ceiling grid. If necessary, adjust the tile bridge so the rails rest on the ceiling grid.
2. Replace the tile in the ceiling.

1



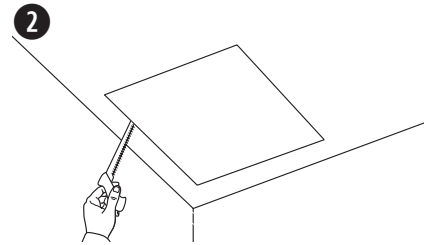
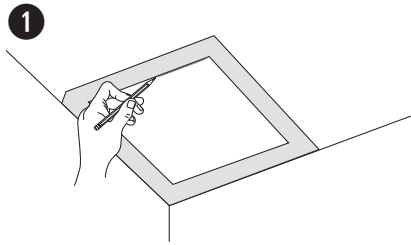
2



Preparing Hard Ceiling (Existing Construction)

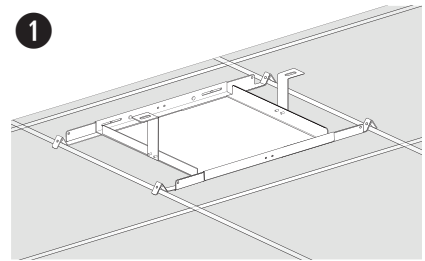
Cutting the Ceiling

1. Use the template to trace a hole onto the ceiling.
2. Cut a hole into the ceiling.



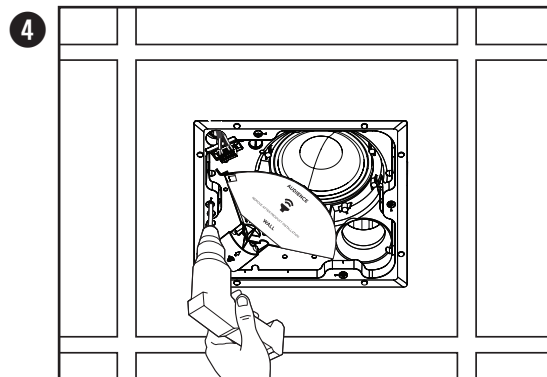
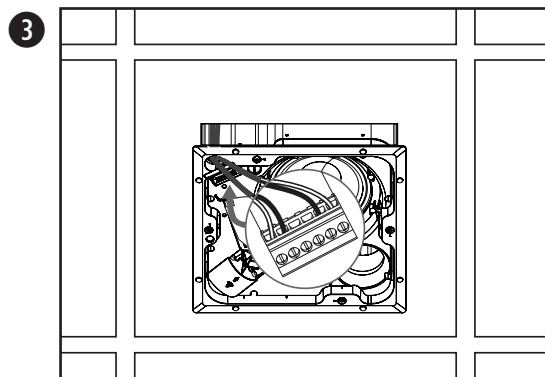
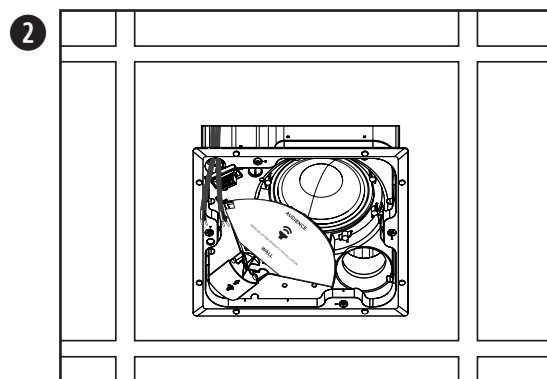
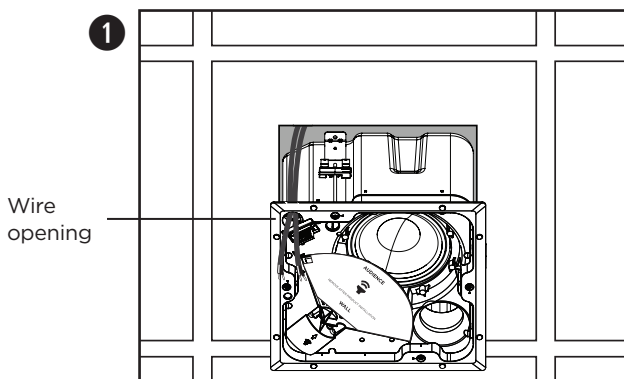
Installing the Tile Bridge

1. Insert the assembled tile bridge through the hole and place the tile bridge across the ceiling grid or ceiling furring. If necessary, adjust the tile bridge so the rails rest on the ceiling grid or ceiling furring.



Mounting the Loudspeaker

1. Pass the audio wire through the wire opening (next to wiring terminal).
2. Insert the loudspeaker through the hole and into the tile bridge. Make sure the anchors engage on the tile bridge before loosening your grip on the loudspeaker.
3. Remove the connector, wire the connector, and reinsert the connector into the loudspeaker. For wiring information, see **Wiring the Loudspeaker** on page 4.
4. Tighten the anchor arm screws to secure the loudspeaker. If using a power drill, set to a low torque setting.
WARNING: Over-tightening the screws may result in damage to the anchor attachment point or the ceiling, which could lead to a falling hazard.
5. Discard the phase guide protector.

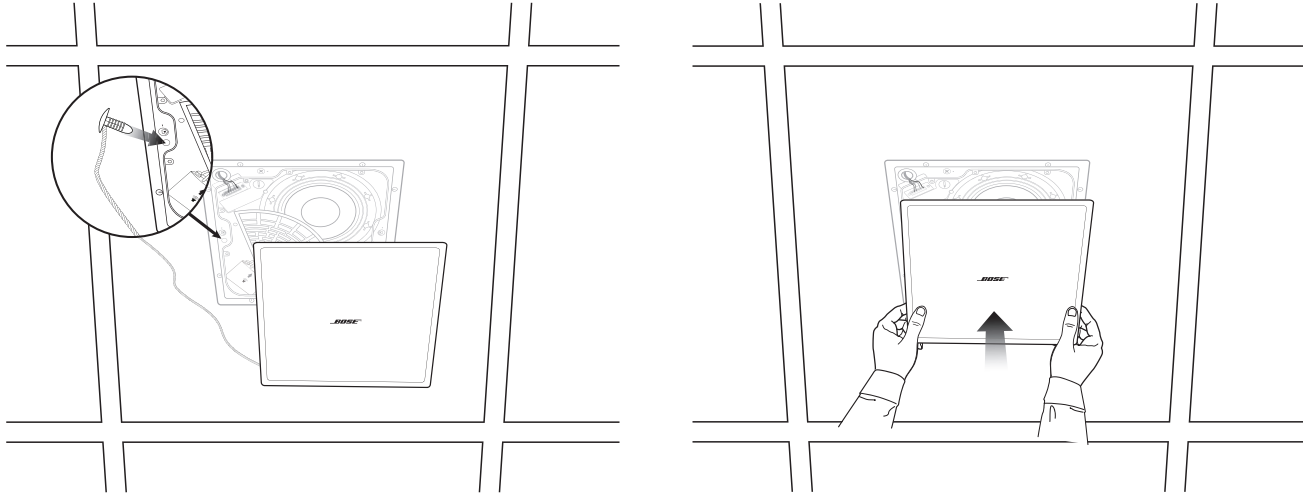


Installing in Hard Ceiling Using a Rough-in Pan (New Construction)

For information on installing a rough-in pan, see the EdgeMax Rough-in Pan installation guide at PRO.BOSE.COM. Once the rough-in pan is installed, see **Mounting the Loudspeaker** on page 7.

Attaching the Grille

Insert the safety lanyard pin into the hole in the loudspeaker. Using both hands, position the grille against the loudspeaker. The grille secures to the loudspeaker magnetically.



Safety and Regulatory Compliance

The Bose EdgeMax EM90 and EM180 loudspeakers have passed testing and comply with the following specifications and uses:

Listed to ANSI/UL 1480A-2016, Speakers for Commercial & Safety Professional Use

General-Purpose Use - UL Category UEAY, File Number S 5591 Control Number 3N89

Suitable for use indoors in damp locations under UL 1480A, but see warnings and cautions on page 2 of this installation guide for important installation restrictions.

UL-2043, 2013, Fire Test and Visible Smoke Release for Discrete Products and their Accessories Installed in Air Handling Spaces. Suitable for use in air handling (plenum) spaces.

Suitable for installation using Class 1, Class 2, or Class 3 wiring methods in accordance with NFPA 70, *National Electric Code*, 2017, Article 640

NFPA 70, National Electric Code, 2017, Article 300-22(c).

NFPA 90-A, 2015, Installation of Air Conditioning and Ventilation Systems, Paragraph 4.3.11.2.6.5

The EdgeMax EM90 and EM180 loudspeakers have been designed to the requirements defined in the following European regulatory specification for combination systems:

Tested to IEC 60268-5, 2007

Wire Gauge

The EdgeMax EM90 and EM180 loudspeakers are designed to work with 18 AWG (0.8 mm²) to 14 AWG (2.5 mm²) size wire only.

Lea y conserve todas las instrucciones de uso y seguridad.

Este producto está diseñado para ser instalado únicamente por instaladores profesionales. Este documento está diseñado para proveer las pautas de seguridad e instalación básicas a los instaladores profesionales de este producto en sistemas de instalación fija comunes. Lea este documento y todas las advertencias de seguridad antes de comenzar la instalación.

No intente reparar este producto por su cuenta. Remita todas las reparaciones a centros de servicio, instaladores, técnicos o distribuidores autorizados. Para comunicarse con Bose Professional o para encontrar un distribuidor cerca de usted, visite **PRO.BOSE.COM**.

1. Lea estas instrucciones.
2. Guarde estas instrucciones.
3. Preste atención a las advertencias.
4. Siga todas las instrucciones.
5. No use este aparato cerca del agua.
6. Límpiolo solamente con un paño seco.
7. No obstruya ninguna abertura de ventilación. Realice la instalación conforme a las instrucciones del fabricante.
8. No lo instale cerca de una fuente de calor, como radiadores, rejillas de calefacción, estufas u otros aparatos (incluidos los amplificadores) que produzcan calor.
9. Utilice solamente los accesorios especificados por el fabricante.

**ADVERTENCIAS/PRECAUCIONES**

Este producto contiene materiales magnéticos. Consulte con su médico si esto podría llegar a afectar un dispositivo médico implantado.

- Todos los productos Bose deben instalarse conforme a las leyes locales, estatales, federales y del sector. Es responsabilidad del instalador garantizar que la instalación del sistema de soporte y los altavoces se realice conforme a los códigos aplicables, incluidos los códigos y las reglamentaciones de construcción locales. Consulte a la autoridad local competente antes de instalar este producto.
- El montaje inseguro o la suspensión en alturas de cualquier carga pesada pueden provocar lesiones graves o la muerte, además de daños a la propiedad. Es responsabilidad del instalador evaluar la confiabilidad de cualquier método de montaje utilizado para su aplicación. Únicamente los instaladores profesionales con conocimiento de las herramientas adecuadas y las técnicas de montaje seguro deberían intentar instalar cualquier altavoz en altura.
- No monte el producto en lugares donde se pueda generar condensación.
- Este producto no está diseñado para ser instalado ni utilizado en zonas de instalaciones acuáticas en interiores (incluidos, entre otros, piscinas techadas, parques acuáticos techados, jacuzzis, saunas, salas de vapor y pistas de patinaje techadas).
- Monte únicamente en superficies que sean resistentes o que no presenten peligros ocultos, como cableado eléctrico o plomería. Si no está seguro acerca de cómo instalar el soporte, comuníquese con un instalador profesional cualificado. Asegúrese de que el soporte esté instalado de acuerdo con los códigos locales de construcción.
- Utilice solo el hardware y los accesorios incluidos, o bien los que Bose especifica como aptos para los altavoces EdgeMax EM90 y EM180. Para obtener información sobre los accesorios compatibles, consulte la hoja de datos técnicos del producto en **PRO.BOSE.COM**.
- No realice alteraciones no autorizadas a este producto.
- Durante la instalación, no utilice ningún tipo de solventes, lubricantes ni productos de limpieza a base de hidrocarburos en este altavoz o alrededor de él, ni en los accesorios de montaje asociados. La exposición a estas sustancias puede degradar el plástico, lo que produce grietas y el riesgo de que se caiga el dispositivo.
- Limpie los altavoces solo con un paño seco. No esponga los altavoces a detergentes, aceite mineral, alcohol ni otros agentes o químicos de limpieza.
- La rejilla cuenta con un cordón con amarre de seguridad diseñado para usarlo solo una vez.

Especificaciones del producto:

Voltaje de entrada: 70 V/100 V

Impedancia: 8 Ω, 125 W

Opciones de potencia de salida: (70 V): 2.5 W, 5 W, 10 W, 20 W, 40 W, 80 W; (100 V): 5 W, 10 W, 20 W, 40 W, 80 W

Información normativa

Este producto cumple con todos los requisitos correspondientes de la Directiva de la UE. La declaración de conformidad completa se puede encontrar en: **www.bose.com/compliance**.



Este símbolo indica que el producto no se debe desechar como residuo doméstico y se debe enviar a una planta para tratamiento de residuos apropiada para su reciclado. Una eliminación y un reciclado adecuados ayudan a proteger los recursos naturales, la salud humana y el medioambiente. Para obtener más información acerca de la eliminación y el reciclado de este producto, comuníquese con su municipalidad local, un centro de servicios de desecho o la tienda donde compró este producto.

Fecha de fabricación: El octavo dígito del número de serie indica el año de fabricación; p. ej., "7" es 2007 o 2017.

Importador para China: Bose Electronics (Shanghái) Company Limited, Part C, Plant 9, nro. 353 North Ruying Road, China (Shanghái), Zona franca piloto

Importador para la UE: Bose Products B.V., Gorslaan 60, 1441 RG Purmerend, Países Bajos

Importador para México: Bose de México, S. de R.L. de C.V., Paseo de las Palmas 405-204, Lomas de Chapultepec, 11000 México, D.F. Para obtener información sobre el servicio y el importador, comuníquese al: +5255 (5202) 3545

Importador para Taiwán: Bose Taiwan Branch, 9F-A1, N° 10, Section 3, Minsheng East Road, Taipei City 104, Taiwán. Número telefónico: +886-2-2514 7676

Bose y EdgeMax son marcas comerciales de Bose Corporation.

Oficinas centrales de Bose Corporation: 1-877-230-5639

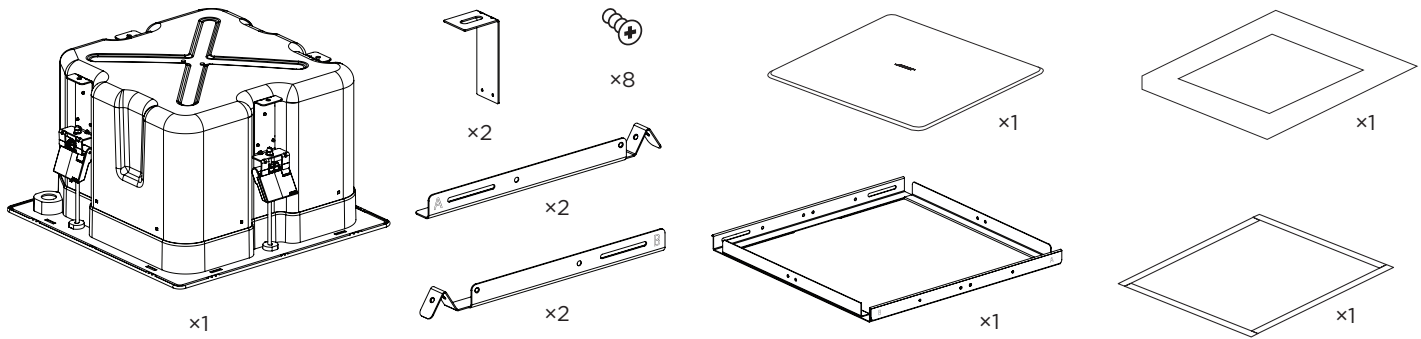
©2019 Bose Corporation. Ninguna parte de este trabajo podrá reproducirse, modificarse, distribuirse ni usarse sin un permiso previo por escrito.

Información de la garantía

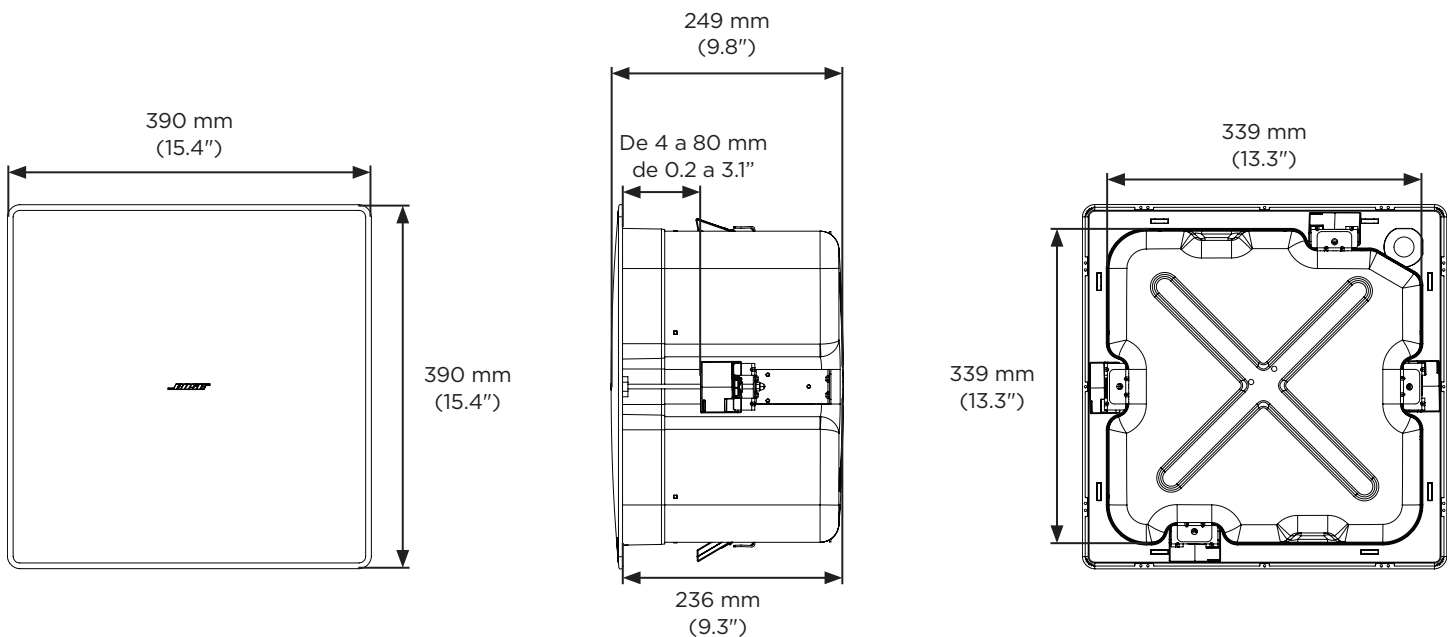
Este producto está cubierto con una garantía limitada.

Para ver los detalles de la garantía, visite **PRO.BOSE.COM**.

Contenido de la caja



Dimensiones del producto



Especificaciones técnicas

Para conocer más especificaciones, consulte la hoja de datos técnicos de EdgeMax EM90 y EM180 en PRO.BOSE.COM.

Datos físicos	
Dimensiones del producto	Rejilla: 390 × 390 mm (15.4 × 15.4")
	Carcasa: 339 × 339 mm (13.3 × 13.3")
	Profundidad de la carcasa posterior: 236 mm (9.3")
Medida de calado/perforación	345 × 345 mm (13.6 × 13.6")
Grosor máximo del techo	80 mm (3.1")
Peso neto, altavoz con rejilla	10.1 kg (22.2 lb)
Peso neto, puente de mosaico	1.4 kg (3.1 lb)
Peso de envío	12.5 kg (27.6 lb)

Información importante sobre la instalación



Es responsabilidad del instalador garantizar que la instalación del sistema de soporte y los altavoces se realice conforme a los códigos vigentes, incluidos los códigos y las reglamentaciones de construcción locales. Consulte a la autoridad local competente antes de instalar este producto.

Es responsabilidad del instalador garantizar que la instalación de los altavoces sea segura. Si no se instala el altavoz correctamente, podría provocar daños, lesiones o la muerte.

No instale el producto en lugares donde se pueda generar condensación.



Este producto no está diseñado para ser instalado ni utilizado en zonas de instalaciones acuáticas en interiores (incluidos, entre otros, piscinas techadas, parques acuáticos techados, jacuzzis, saunas, salas de vapor y pistas de patinaje techadas).

Monte únicamente en superficies que sean resistentes o que no presenten peligros ocultos, como cableado eléctrico o plomería. Si no está seguro acerca de cómo instalar el soporte, comuníquese con un instalador profesional cualificado. Asegúrese de que el soporte esté instalado de acuerdo con los códigos locales de construcción.

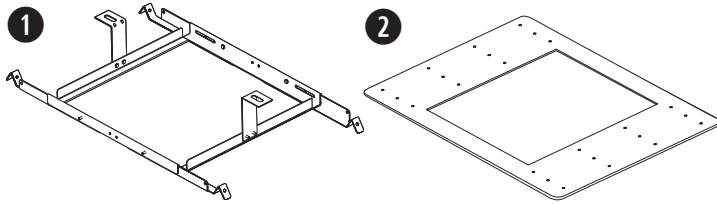


Durante la instalación, no utilice ningún tipo de solventes, lubricantes ni productos de limpieza a base de hidrocarburos en este altavoz o alrededor de él, ni en los accesorios de montaje asociados. La exposición a estas sustancias puede degradar el plástico, lo que produce grietas y el riesgo de que se caiga el dispositivo.

Opciones de instalación

Opciones y accesorios de instalación

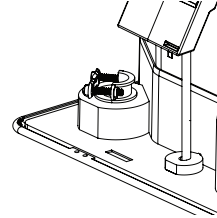
- 1 Puesto de mosaico ajustable (incluido)
- 2 Bandeja empotrada (opcional)



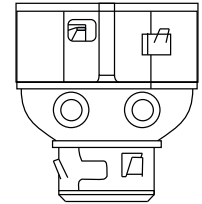
Accesorios de conductos

Si utiliza un conducto metálico flexible, hágalo con un accesorio de conducto de 3/8 pulgadas o un conector doble (dúplex) de 3/8 pulgadas.

Nota: No se proporcionan los accesorios de conducto.



Entrada única de 3/8 pulgadas



Entrada dúplex/loop de 3/8 pulgadas

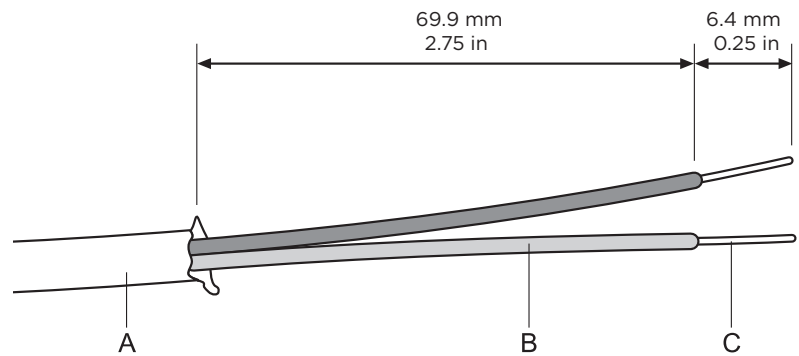
Cableado de los altavoces

Uso de terminales de entrada directa

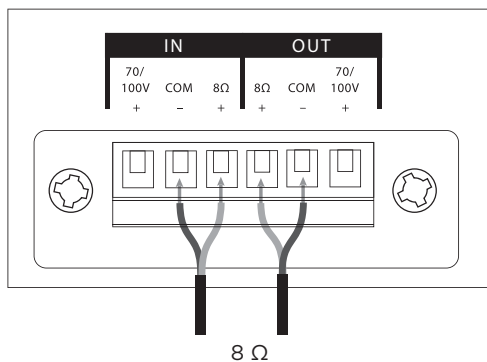
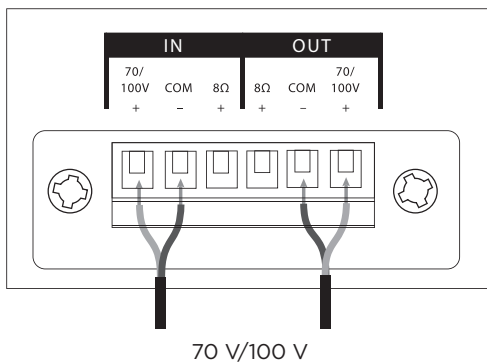
Requisitos de calibre de cable desde el cableado de línea del altavoz hasta sus terminales: Utilice únicamente cables que midan de 18 AWG (0.8 mm²) a 14 AWG (2.5 mm²).

Preparación del cable

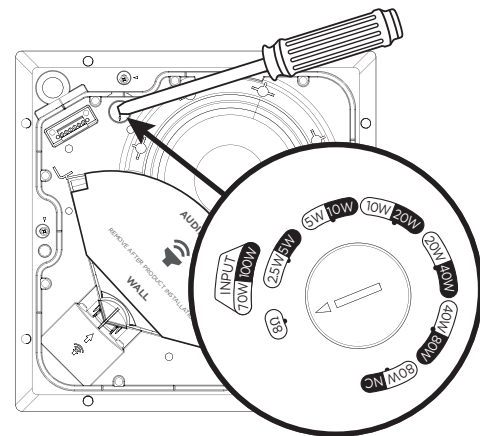
Recorte el revestimiento exterior (A) y parte de la aislación del cable (B), a fin de exponer la cantidad suficiente (C) para conectarlo a los terminales.



Diagramas de conexión



Configuración de altavoz



70 V						8 Ω
2.5 W*	5 W	10 W	20 W	40 W	80 W	
5 W*	10 W	20 W	40 W	80 W	NC**	
100 V						

* Predeterminado de fábrica

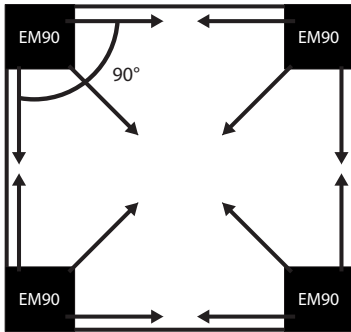
** NC: Sin conexión (no utilizar)

Configuración de la toma del transformador

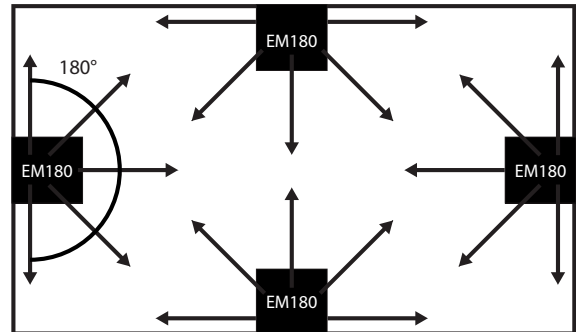
Gire la toma para establecer la configuración. Utilice un destornillador de cabeza plana.

Preparación de la instalación

Instale el EM90 en una esquina. Consulte la siguiente imagen para conocer la vista superior de la ubicación en una sala.



Instale el EM180 en una pared. Consulte la siguiente imagen para conocer la vista superior de la ubicación en una sala.



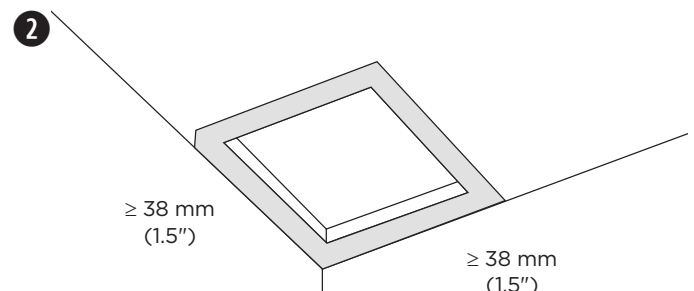
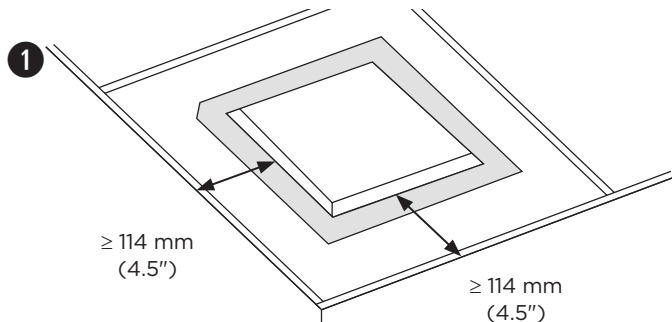
Nota: Mantenga el protector de la guía de fase en su lugar hasta que termine la instalación.

Ubicación del altavoz

Cuando instale el altavoz cerca de una unión pared-techo, deje espacio suficiente para que sobresalga la rejilla. La rejilla debe estar al ras de la superficie del techo para que los imanes puedan conectarse en su totalidad.

Utilice la plantilla adjunta para garantizar que se utilicen las dimensiones adecuadas para el calado y la ubicación del altavoz.

1. En la instalación de EM90 o EM180 en mosaicos de techo: Coloque la apertura del altavoz a una distancia mínima de 114 mm (4.5") de cada pared, a fin de dejar espacio para el puente de mosaico.
2. En la instalación de EM90 o EM180 en techos de cubierta dura: Coloque la plantilla de cartón a ras de la esquina (EM90) o de la pared (EM180). Esto deja al menos 38 mm (1.5") entre cada pared para acomodar la rejilla.



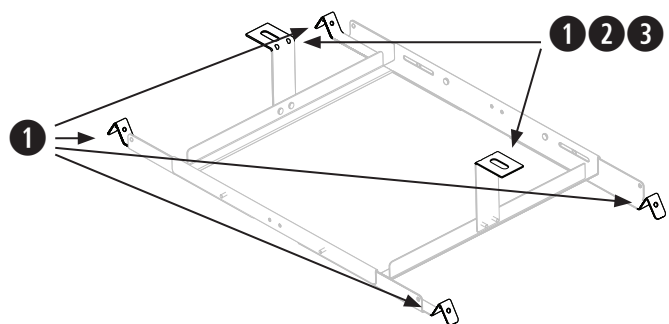
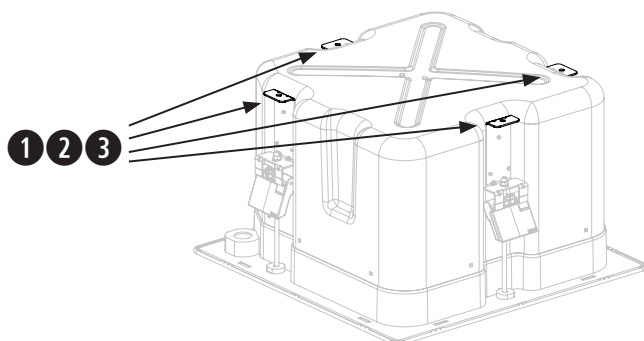
Nota: Si el altavoz se instala cerca de superficies de cocina, como entornos comerciales de cocina en los que quede expuesto directamente a aceites, vapores o altos niveles de calor, es posible que disminuya el rendimiento o la confiabilidad del dispositivo.

Uso de un cable de seguridad

En algunos códigos regionales de construcción, se exige el uso de un método secundario de fijación de los altavoces a estructuras de apoyo con el propósito de brindar mayor seguridad. Elija una posición de montaje, un método y los componentes que cumplan con los códigos y los reglamentos locales de construcción.

Bose recomienda utilizar un alambre de seguridad (1), un cable de seguridad (2) o una varilla roscada (3) como mecanismo secundario de fijación. Consulte los siguientes diagramas para conocer los puntos de fijación de seguridad.

Siga las instrucciones del fabricante en la instalación de cualquier mecanismo de fijación secundario que desee implementar.



Montaje del puente de mosaico

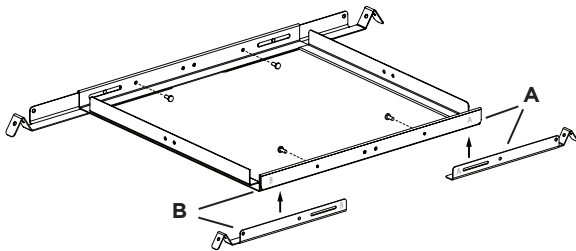
1. Instale los 4 rieles en el marco central con los 4 tornillos incluidos. Inserte los tornillos desde el interior del puente de mosaico. Los rieles y el marco central están etiquetados como A y B para identificar los puntos correctos de instalación.
2. Ajuste la longitud de los rieles del puente de mosaico de modo que estos descansen firmemente en la cuadrícula o el enrasado del techo.

Nota: El puente de mosaico admite de 56 a 66 centímetros (de 22 a 26 pulgadas) de espacio.

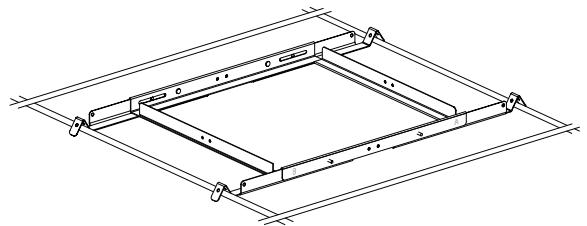
3. Apriete los 4 tornillos que fijan los rieles del puente de mosaico en el marco central.
4. Opcional: Fije los soportes en L al puente de mosaico a fin de crear un punto de conexión adicional para un alambre o cable de seguridad, o una varilla roscada. Para obtener más información, consulte **Uso de un cable de seguridad** en la página 12.

Nota: Coloque los soportes en L en una posición que no impida que los anclajes del altavoz se puedan conectar completamente con el puente de mosaico.

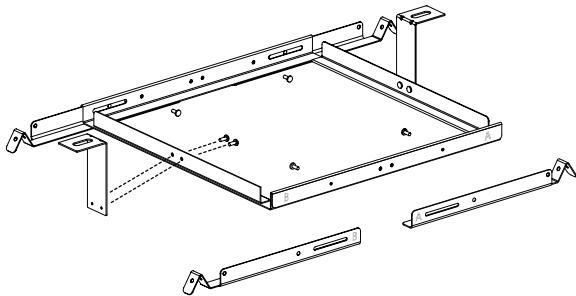
1



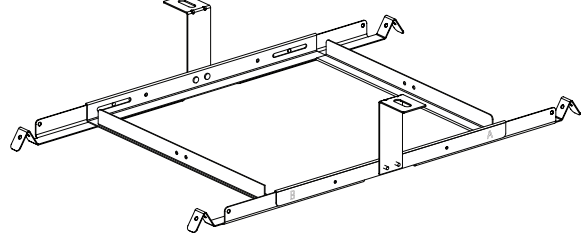
2



3



4

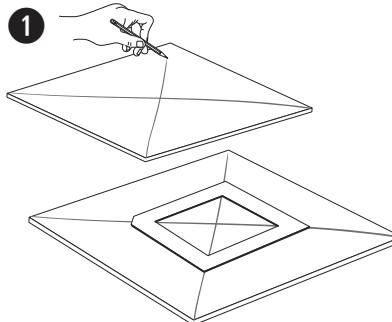


Preparación del mosaico acústico para techo

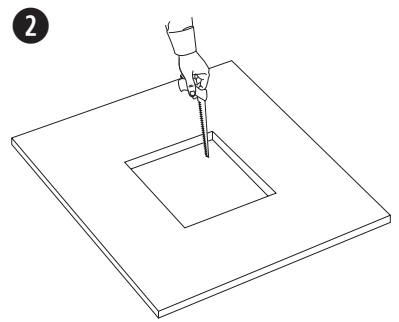
Corte del mosaico de techo

1. Retire el mosaico y utilice la plantilla para marcar un orificio para el altavoz en el mosaico. Para centrar la plantilla sobre el mosaico, conecte las esquinas diagonalmente dibujando una X, luego alinee la plantilla utilizando el punto de cruce.
2. Haga un orificio en el mosaico.

1



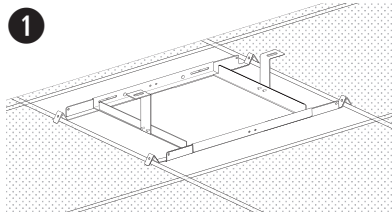
2



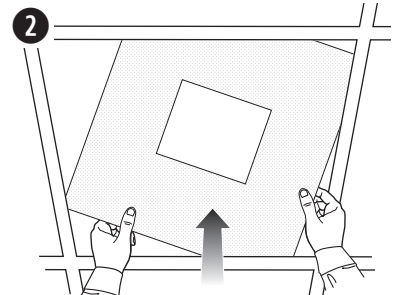
Instalación del puente de mosaico

1. Ubique el puente de mosaico montado en la cuadrícula del techo. Si es necesario, ajuste el puente de mosaico de modo que los rieles descansen sobre la cuadrícula del techo.
2. Reemplace el mosaico del techo.

1



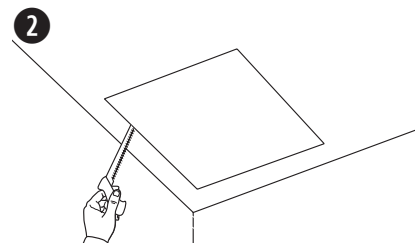
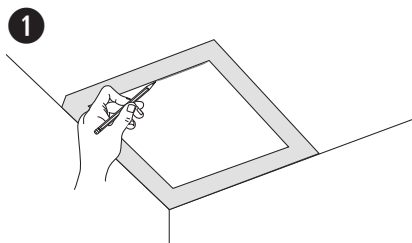
2



Preparación de un techo duro (construcción existente)

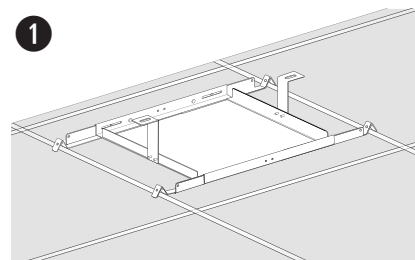
Corte del techo

1. Utilice la plantilla para marcar el orificio en el techo.
2. Haga un orificio en el techo.



Instalación del puente de mosaico

1. Inserte el puente de mosaico ensamblado a través del agujero y colóquelo en la cuadrícula o el enrasado del techo. Si es necesario, ajuste el puente de mosaico de modo que los rieles descansen sobre la cuadrícula o el enrasado del techo.



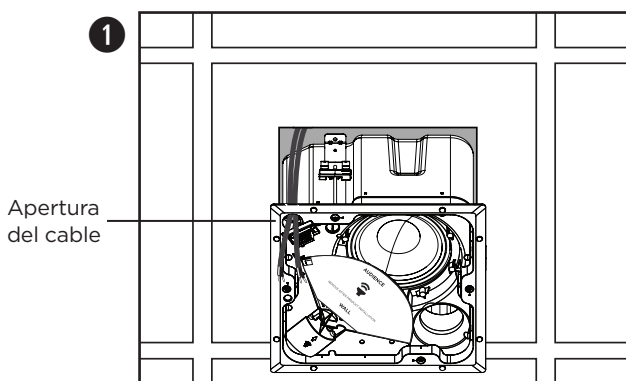
Montaje del altavoz

1. Pase el cable de audio a través de la apertura para cables (junto al terminal de cables).
2. Inserte el altavoz a través del orificio y en el puente de mosaico. Asegúrese de que los anclajes se ajusten correctamente en el puente de mosaico antes de soltar los altavoces.
3. Retire el conector, conéctele los cables y vuelva a insertarlo en el altavoz. Para obtener información sobre el cableado, consulte **Cableado de los altavoces** en la página 11.
4. Fije los tornillos del brazo de anclaje para sujetar el altavoz. Si utiliza un taladro eléctrico, ajústelo a una posición para torque bajo.

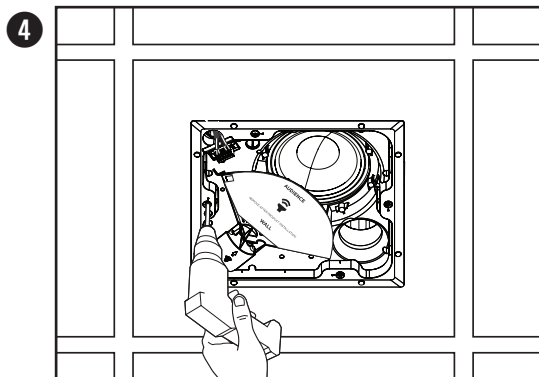
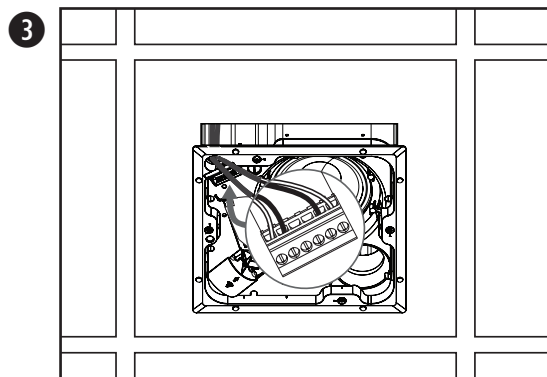
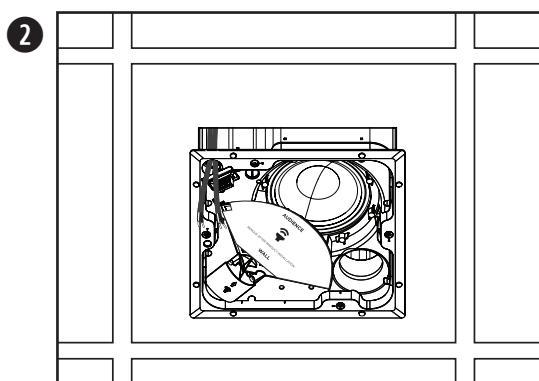


ADVERTENCIA: Apretar demasiado los tornillos puede dañar el punto de conexión del anclaje o el techo, lo que puede producir el riesgo de que se caiga el dispositivo.

5. Quite el protector de la guía de fase.



Apertura del cable

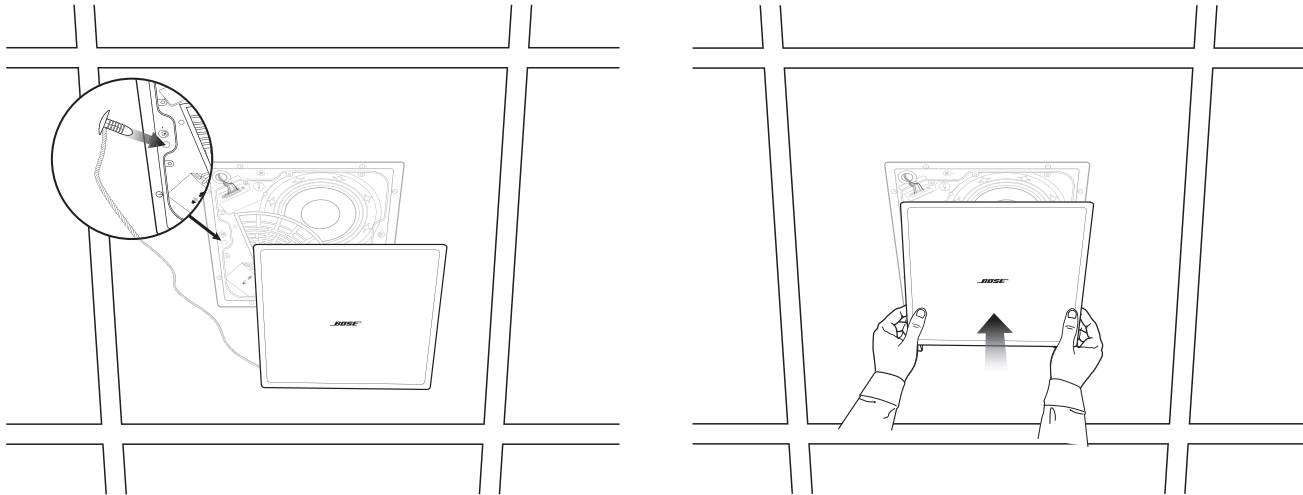


Instalación en techos duros con una bandeja empotrada (construcción nueva)

Para obtener información sobre la instalación de una bandeja empotrada, consulte la guía de instalación de la bandeja empotrada de EdgeMax en **PRO.BOSE.COM**. Cuando la bandeja empotrada esté instalada, consulte **Montaje del altavoz** en la página 14.

Fijación de la rejilla

Inserte el cordón con amarre de seguridad en el orificio del altavoz. Coloque la rejilla frente al altavoz usando ambas manos. La rejilla se fija al altavoz con imanes.



Cumplimiento de las normativas y los reglamentos de seguridad

Los altavoces Bose EdgeMax EM90 y EM180 han superado pruebas y cumplen con los siguientes usos y especificaciones:

Registrados en el estándar ANSI/UL 1480A-2016 para altavoces de uso comercial y profesional seguro

Uso general: estándar UL categoría UEAY, número de archivo S 5591, número de control 3N89

Apto para el uso en zonas interiores en lugares húmedos según el estándar UL 1480A. Consulte las advertencias y precauciones en la página 2 de esta guía de instalación para conocer las restricciones importantes de instalación.

Estándar UL-2043, 2013, prueba de fuego y liberación de humo visible para productos diferenciados y sus accesorios instalados en espacios de circulación de aire. Apto para el uso en espacios con circulación de aire exterior (cámaras de aire).

Apto para la instalación con métodos de cableado Clase 1, Clase 2 o Clase 3 de conformidad con el estándar NFPA 70, *Código Eléctrico Nacional*, 2017, Artículo 640

Estándar NFPA 70, *Código Eléctrico Nacional*, 2017, Artículo 300-22(c).

Estándar NFPA 90-A, 2015, instalación de sistemas de aire acondicionado y ventilación, Párrafo 4.3.11.2.6.5

Los altavoces EdgeMax EM90 y EM180 se diseñaron según los requisitos definidos en la siguiente especificación reglamentaria europea para sistemas combinados:

Probados según IEC 60268-5, 2007

Calibre de cable


Los altavoces EdgeMax EM90 y EM180 están diseñados para funcionar únicamente con cables que midan de 18 AWG (0.8 mm²) a 14 AWG (2.5 mm²).

Merci de lire et de conserver le manuel d'instruction et de respecter les consignes de sécurité.


Ce produit doit être installé par un technicien professionnel ! Ce document est destiné à fournir aux techniciens professionnels les directives de montage et de sécurité relatives à ce produit dédié à une installation fixe. Veuillez lire ce document, ainsi que l'ensemble des avertissements de sécurité avant de procéder à l'installation.


Ne tentez pas de réparer ce produit vous-même. Confiez toutes les opérations de maintenance à des centres de service, installateurs, techniciens, revendeurs ou distributeurs agréés. Pour contacter Bose Professional ou pour trouver un revendeur ou un distributeur près de chez vous, rendez-vous à l'adresse **PRO.BOSE.COM**.

1. Veuillez lire ces consignes.
2. Veuillez conserver ces consignes.
3. Respectez tous les avertissements.
4. Suivez toutes les consignes.
5. N'utilisez pas cet appareil à proximité d'eau ou de toute autre source d'humidité.
6. Utilisez uniquement un chiffon sec pour le nettoyage.
7. Ne bloquez jamais les orifices d'aération. Suivez les instructions du fabricant pour l'installation.
8. N'installez pas cet appareil à proximité d'une quelconque source de chaleur, telle qu'un radiateur, une arrivée d'air chaud, un four ou tout autre appareil (notamment les amplificateurs) produisant de la chaleur.
9. Utilisez uniquement les accessoires spécifiés par le fabricant.



AVERTISSEMENTS/PRÉCAUTIONS





Ce produit contient des composants magnétiques. Consultez votre médecin afin de savoir si ces composants peuvent avoir une incidence sur tout dispositif médical implanté.

- Tous les produits Bose doivent être installés dans le respect des réglementations locales et nationales. L'installateur est responsable du respect de tous les codes et règlements locaux et nationaux en vigueur applicables à l'installation et au montage des enceintes. Consultez les autorités locales compétentes avant d'installer ce produit.
- Tout montage non sécurisé ou suspension d'une lourde charge peut provoquer des dégâts matériels et des blessures graves, voire la mort. Il est de la responsabilité de l'installateur d'évaluer la fiabilité de la méthode de montage utilisée, en fonction de l'application. Seul un installateur professionnel connaissant les accessoires et techniques de montage adaptés est qualifié pour installer des enceintes suspendues.
- Ne montez pas le produit dans des endroits où de la condensation peut se former.
- Ce produit n'est pas destiné à être monté ou utilisé dans des installations humides en intérieur (par exemple piscine intérieure, parc aquatique intérieur, baignoire à remous, sauna, hammam, patinoire intérieure, etc.).
- Veillez à ne pas installer sur des surfaces peu résistantes ou dans lesquelles peuvent être intégrés des fils électriques ou des tuyaux de plomberie. En cas de doute, faites appel à un installateur professionnel. Veillez à installer le support conformément aux normes de construction locales.
- N'utilisez que le matériel et les accessoires livrés ou spécifiés par Bose pour une utilisation avec les enceintes EdgeMax EM90 et EM180. Pour plus d'informations sur les accessoires compatibles, reportez-vous à la fiche technique du produit sur **PRO.BOSE.COM**.
- Veillez à ne pas effectuer de modifications non autorisées sur ce produit.
- N'appliquez aucun type de produit de nettoyage, d'huile de graissage ou de solvant à base d'hydrocarbure sur ou autour de cette enceinte et du matériel de montage associé pendant l'installation. L'exposition à de telles substances peut provoquer une dégradation du matériau plastique, se traduisant par des fêlures pouvant conduire à une chute de l'enceinte.
- Nettoyez uniquement les enceintes avec un chiffon sec. N'exposez pas l'enceinte à du savon, des détergents, des huiles minérales, de l'alcool ou d'autres agents nettoyants ou chimiques.
- La grille est équipée d'un cordon de sécurité à usage unique.

Spécifications du produit :

Tension d'entrée : 70 V/100 V

Impédance : 8 Ω, 125 W

Courant ou puissance : (70 V) : 2,5 W, 5 W, 10 W, 20 W, 40 W, 80 W ; (100V) : 5 W, 10 W, 20 W, 40 W, 80 W

Informations réglementaires



Ce produit est conforme à toutes les directives de l'Union européenne qui s'y appliquent. La déclaration de conformité complète est disponible à l'adresse suivante : **www.Bose.com/compliance**.



Ce symbole signifie que le produit ne doit pas être jeté avec les déchets ménagers, mais doit être déposé dans un centre de collecte approprié pour recyclage. La mise au rebut adéquate et le recyclage permettent de protéger les ressources naturelles, la santé humaine et l'environnement. Pour plus d'informations sur l'élimination et le recyclage de ce produit, contactez votre mairie, votre service d'enlèvement des ordures ou le magasin où vous avez acheté ce produit.

Date de fabrication : Le huitième chiffre du numéro de série indique l'année de fabrication ; par exemple, « 7 » correspond à 2007 ou à 2017.

Importateur pour la Chine : Bose Electronics (Shanghai) Company Limited, Part C, Plan 9 No. 353 North Ruying Road, China (Shanghai) Pilot Free Trade Zone

Importateur pour l'UE : Bose Products B.V., Gorslaan 60, 1441 RG Purmerend, Pays-Bas

Importateur pour le Mexique : Bose de México, S. de R.L. de C.V., Paseo de las Palmas 405-204, Lomas de Chapultepec, 11000 México, D.F. Pour plus d'informations sur l'importateur et le service : +5255 (5202) 3545

Importateur pour Taïwan : Bose Taiwan Branch, 9F-A1, No. 10, Section 3, Minsheng East Road, Taipei City 104, Taiwan. Numéro de téléphone : +886-2-2514 7676

Bose et EdgeMax sont des marques commerciales de Bose Corporation.

Siège de Bose Corporation : 1-877-230-5639

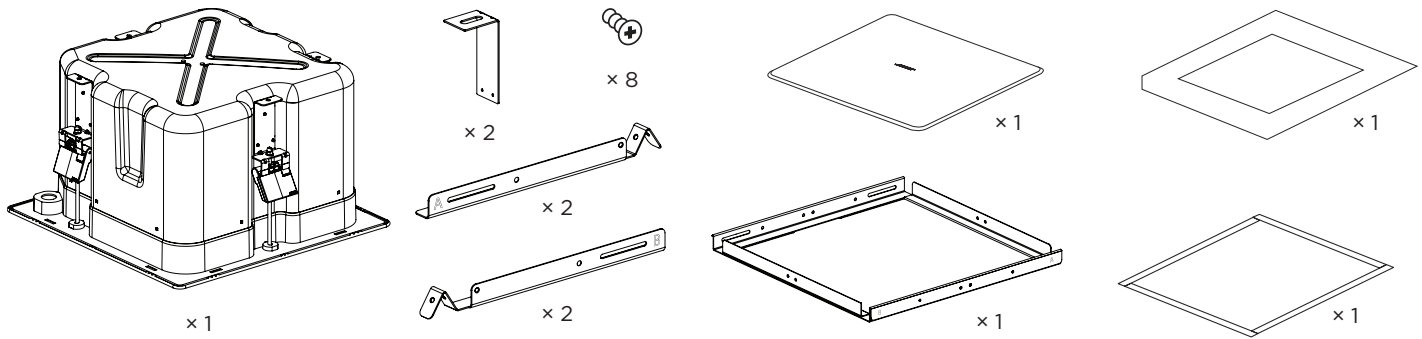
©2019 Bose Corporation. Toute reproduction, modification, distribution ou autre utilisation, même partielle, de ce document est interdite sans autorisation écrite préalable.

Informations relatives à la garantie

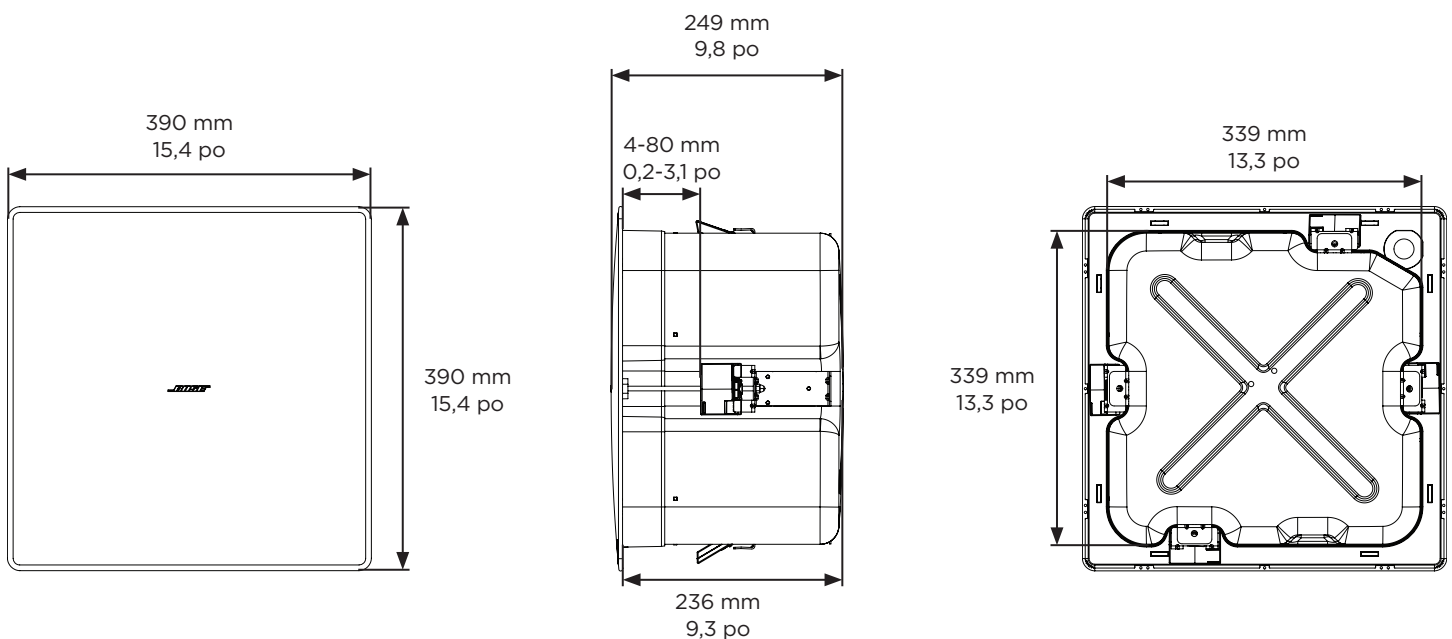
Cet appareil est couvert par une garantie limitée.

Pour avoir plus d'information sur la garantie, visitez **PRO.BOSE.COM**.

Contenu de l'emballage



Dimensions du produit



Caractéristiques techniques

Vous trouverez des caractéristiques supplémentaires dans la fiche technique des enceintes EdgeMax EM90 et EM180 sur PRO.BOSE.COM.

Caractéristiques physiques	
Dimensions du produit	Grille : 390 mm x 390 mm (15,4 po x 15,4 po)
	Boîtier : 339 mm x 339 mm (13,3 po x 13,3 po)
	Profondeur boîtier : 236 mm (9,3 po)
Ouverture à découper	345 mm x 345 mm (13,6 po x 13,6 po)
Épaisseur maximale du plafond	80 mm (3,1 po)
Poids net, enceinte avec grille	10,1 kg (22,2 lb)
Poids net, plaque de renfort pour plafond à dalles	1,4 kg (3,1 lb)
Poids brut	12,5 kg (27,6 lb)

Informations importantes concernant l'installation



L'installateur est responsable du respect de tous les codes et règlements locaux et nationaux en vigueur applicables à l'installation et au montage des enceintes. Consultez les autorités locales compétentes avant d'installer ce produit.

Il incombe à l'installateur d'assurer la sécurité de l'installation de l'enceinte. L'installation incorrecte de l'enceinte est susceptible d'entraîner des dommages et des blessures, voire la mort.

Ne montez pas le produit dans des endroits où de la condensation peut se former.



Ce produit n'est pas destiné à être monté ou utilisé dans des installations humides en intérieur (par exemple piscine intérieure, parc aquatique intérieur, baignoire à remous, sauna, hammam, patinoire intérieure, etc.).

Veillez à ne pas installer sur des surfaces peu résistantes ou dans lesquelles peuvent être intégrés des fils électriques ou des tuyaux de plomberie. En cas de doute, faites appel à un installateur professionnel. Veillez à installer le support conformément aux normes de construction locales.

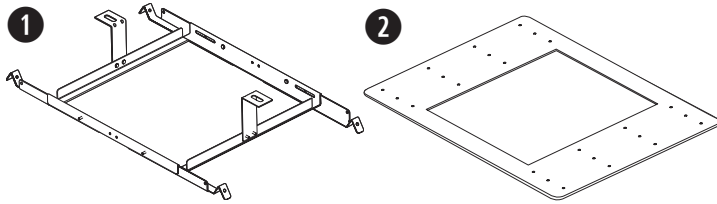


N'appliquez aucun type de produit de nettoyage, d'huile de graissage ou de solvant à base d'hydrocarbure sur ou autour de cette enceinte et du matériel de montage associé pendant l'installation. L'exposition à de telles substances peut provoquer une dégradation du matériau plastique, se traduisant par des fêlures pouvant conduire à une chute de l'enceinte.

Options d'installation

Options d'installation et accessoires

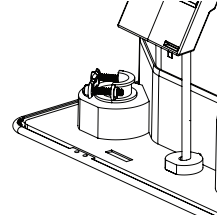
- ❶ Plaque de renfort réglable pour plafond à dalles (inclus)
- ❷ Plaque de montage en faux-plafond (en option)



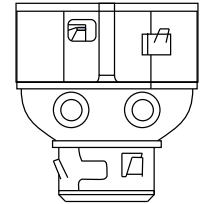
Raccord de conduit

Si vous utilisez un conduit en métal flexible, associez-le à un raccord de conduit 3/8 pouce ou à un connecteur double (duplex) 3/8 pouce.

Remarque : Les raccords de conduit ne sont pas fournis.



Entrée simple
3/8 pouces



Entrée duplex/
boucle 3/8 pouces

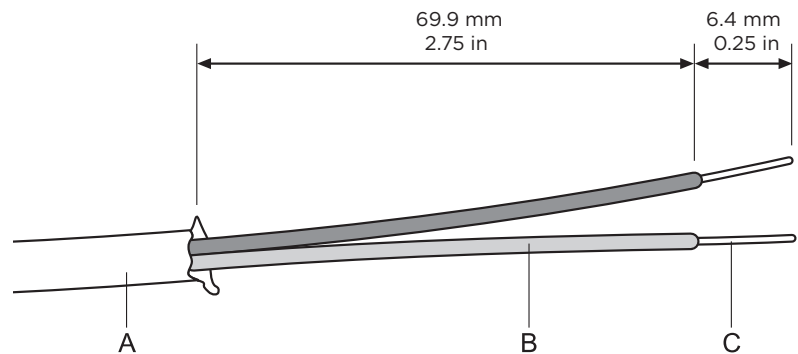
Câblage de l'enceinte

Avec des bornes à entrée directe

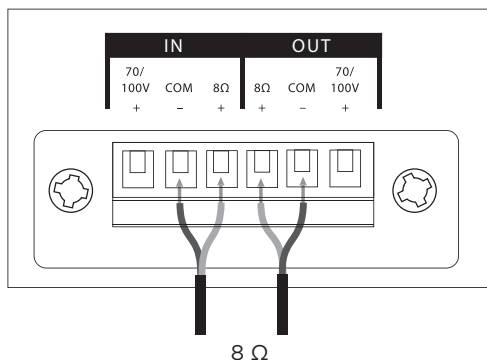
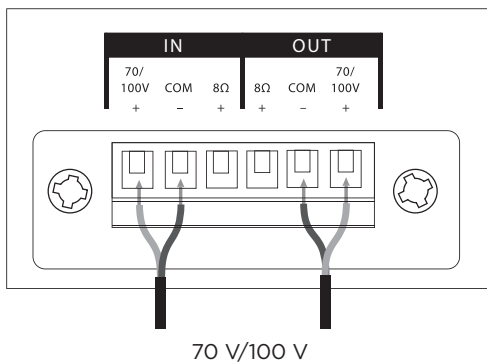
Épaisseur du câble pour relier l'enceinte aux bornes : utilisez un câble de taille 18 (0,8 mm²) à 14 AWG (2,5 mm²) uniquement.

Préparation du câble

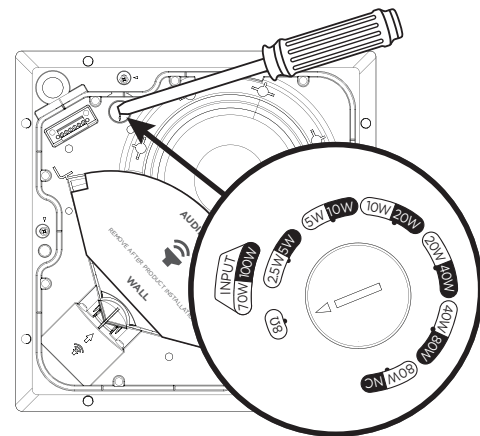
Réduisez la gaine extérieure (A) et une partie de l'isolement des fils (B) pour exposer suffisamment de fils dénudés (C) pour les relier aux bornes.



Diagrammes de connexion



Réglages de l'enceinte



70 V						8 Ω
2,5 W*	5 W*	10 W*	20 W*	40 W*	80 W*	
5 W*	10 W*	20 W*	40 W*	80 W*	NC**	
100 V						

* Réglage d'usine par défaut

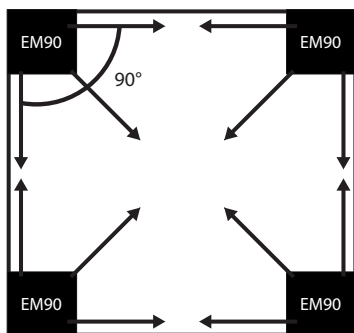
** NC : Pas de connexion (ne pas utiliser)

Réglage de la prise du transformateur

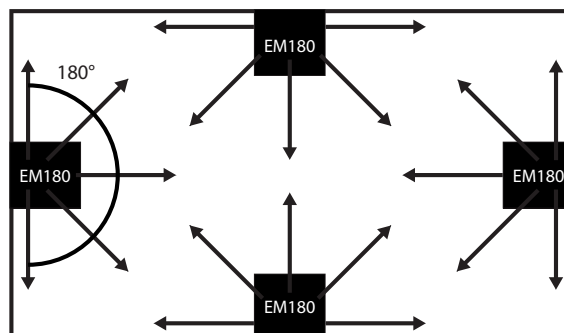
Réglez la prise en la tournant. Utilisez un tournevis à tête plate.

Préparation de l'installation

Installez l'EM90 dans un angle. Voir ci-dessous le schéma de placement dans la salle, vu d'en haut.



Installez l'EM180 le long d'un mur. Voir ci-dessous le schéma de placement dans la salle, vu d'en haut.



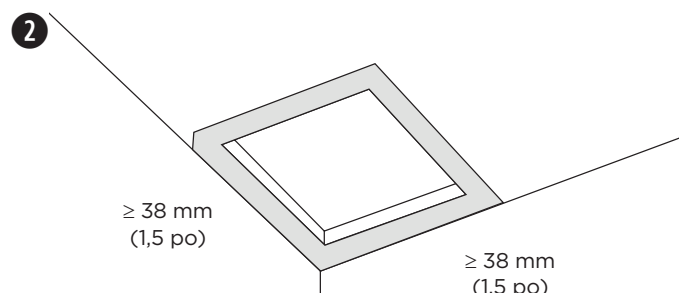
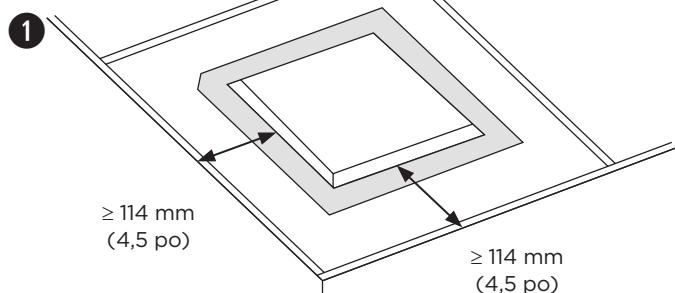
Remarque : Maintenez en place le protecteur de radiateur sonique jusqu'à ce que l'installation soit terminée.

Positionnement de l'enceinte

Si vous installez l'enceinte près d'une interface mur-plafond, prévoyez suffisamment d'espace pour la grille. La grille doit être alignée sur la surface du plafond pour que les aimants puissent s'enclencher parfaitement.

Reportez-vous au modèle joint pour respecter les dimensions appropriées pour la découpe et le positionnement de l'enceinte.

1. Pour les enceintes EM90 ou EM180 encastrées dans les dalles de plafond : Placez l'ouverture de l'enceinte à au moins 114 mm (4,5 pouces) de chaque mur pour laisser suffisamment d'espace pour la plaque de renfort.
2. Pour les enceintes EM90 ou EM180 dans les plafonds durs : Alignez le modèle en carton sur l'angle (pour EM90) ou le mur (pour EM180). Un espace d'au moins 38 mm (1,5 pouces) doit séparer l'enceinte de chaque mur pour l'installation de la grille.



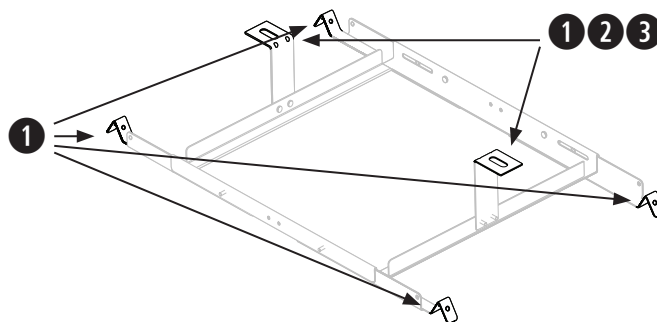
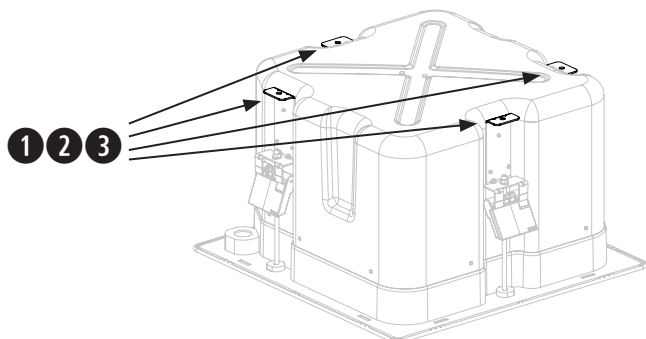
Remarque : Une installation à proximité immédiate de surfaces de cuisson, où l'enceinte peut être exposée directement à des huiles de cuisson, de la vapeur ou des températures élevées, comme par exemple dans une cuisine en milieu professionnel, peut réduire les performances ou la fiabilité de l'enceinte.

Utilisation d'un câble de sécurité

Le code de l'urbanisme de certaines régions impose l'utilisation d'une méthode secondaire de fixation des enceintes aux structures porteuses pour apporter une sécurité supplémentaire. Pour le montage, choisissez une position, une méthode et des accessoires compatibles avec le code de l'urbanisme local.

Bose recommande l'utilisation de : (1) un fil de sécurité, (2) un câble de sécurité, ou (3) une tige filetée comme dispositif de sécurité secondaire. Voir les schémas ci-dessous pour les points de fixation de sécurité.

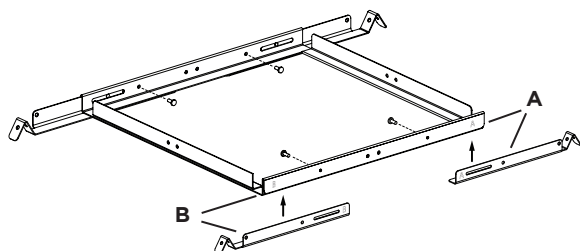
Suivez les instructions du fabricant pour toute implémentation d'un dispositif de sécurité secondaire.



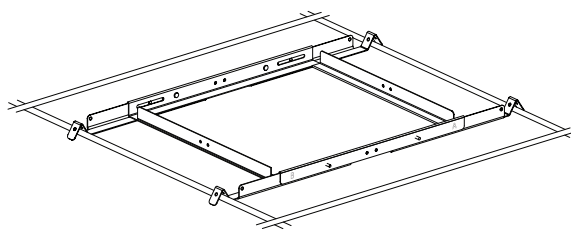
Assemblage de la plaque de renfort pour plafond à dalles

- Fixez les quatre bras au cadre central en utilisant quatre des vis incluses. Insérez les vis depuis l'intérieur de la plaque de renfort. Les bras et le cadre central sont repérés A et B afin d'identifier les points de fixation corrects.
- Ajustez la longueur des bras de la plaque de renfort de sorte qu'ils reposent fermement sur la fourrure ou l'ossature du plafond.
Remarque : La plaque de renfort autorise un espacement de 56 à 66 centimètres (22 à 26 pouces).
- Serrez les quatre vis fixant les bras de la plaque de renfort au cadre central.
- Facultatif : Fixez les supports en L à la plaque de renfort afin d'ajouter un point d'attache pour le fil/câble de sécurité ou la tige filetée. Pour plus d'informations, voir la section **Utilisation d'un câble de sécurité** en page 19.
Remarque : Placez les supports en L dans une position qui n'empêche pas les fixations sur l'enceinte de s'enclencher entièrement sur la plaque de renfort.

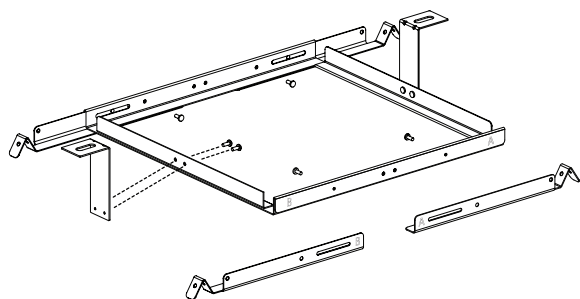
1



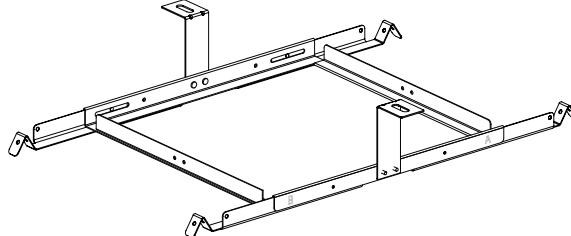
2



3



4

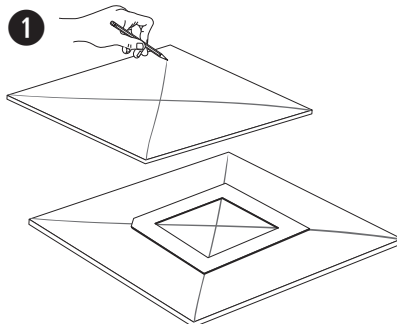


Préparation de la dalle acoustique de plafond

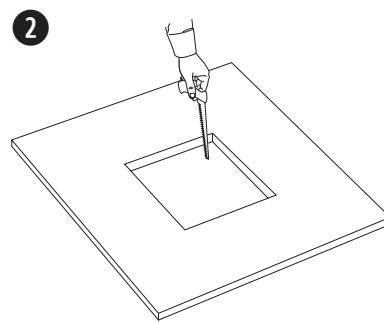
Découpe de la dalle du plafond

- Retirez la dalle et utilisez le gabarit pour tracer le contour d'une enceinte sur la dalle. Pour centrer le gabarit sur la dalle, dessinez une croix (X) en reliant les angles en diagonale, et centrez le gabarit au point d'intersection.
- Découpez une ouverture dans la dalle.

1



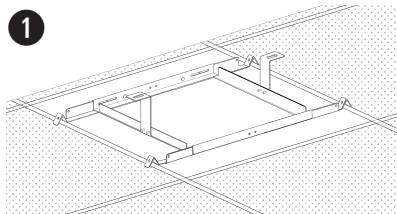
2



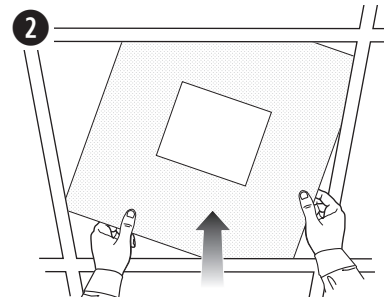
Installation de la plaque de renfort pour plafond à dalles

- Placez la plaque de renfort sur l'ossature du plafond. Si nécessaire, ajustez la plaque de renfort de sorte que les bras reposent sur l'ossature.
- Remettez en place la dalle au plafond.

1



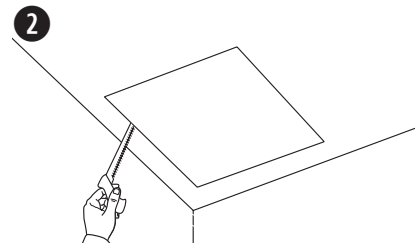
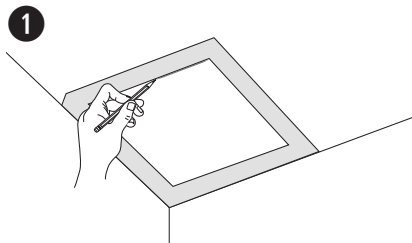
2



Préparation du plafond dur (construction existante)

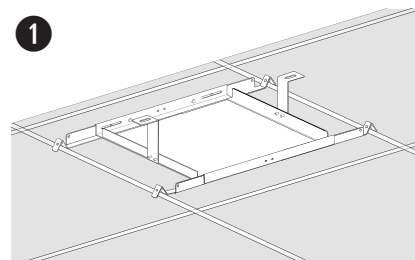
Découpe du plafond

1. Utilisez le gabarit pour tracer une ouverture sur le plafond.
2. Découpez une ouverture dans le plafond.



Installation de la plaque de renfort pour plafond à dalles

1. Insérez la plaque de renfort de sortie dans la découpe, puis mettez en place la plaque de renfort dans l'ossature du plafond ou la fourrure. Si nécessaire, ajustez la plaque de renfort de sorte que les bras reposent sur l'ossature du plafond ou la fourrure.



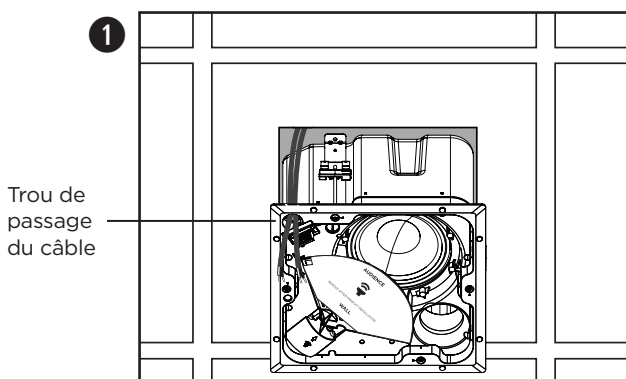
Montage de l'enceinte

1. Faites passer le câble audio par l'ouverture de passage (situé près du terminal de câblage).
2. Insérez l'enceinte dans l'ouverture et à l'intérieur de la plaque de renfort. Vérifiez que les fixations de l'enceinte sont engagées dans la plaque de renfort avant de relâcher votre prise sur l'enceinte.
3. Retirez le connecteur, raccordez le connecteur, puis insérez à nouveau le connecteur dans l'enceinte. Consultez la section **Câblage de l'enceinte** à la page 18 pour plus d'informations sur le câblage.
4. Serrez les vis des bras de fixation pour fixer l'enceinte. Si vous utilisez une visseuse électrique, réglez-la sur un couple faible.

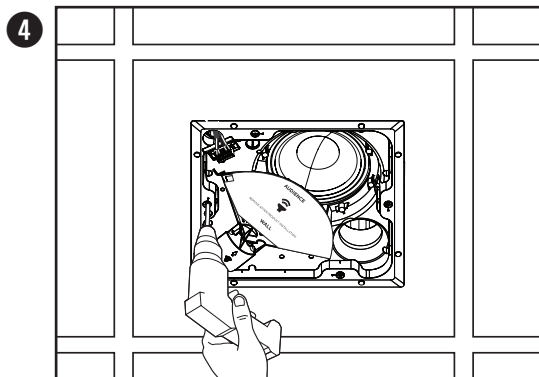
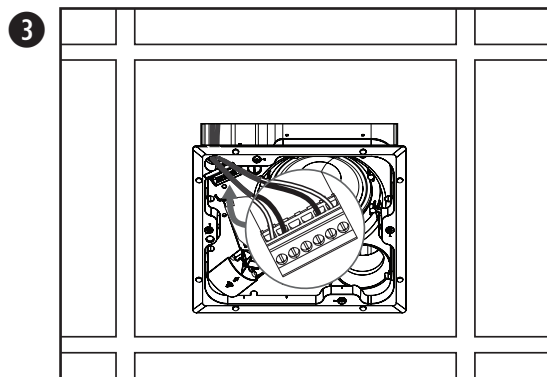
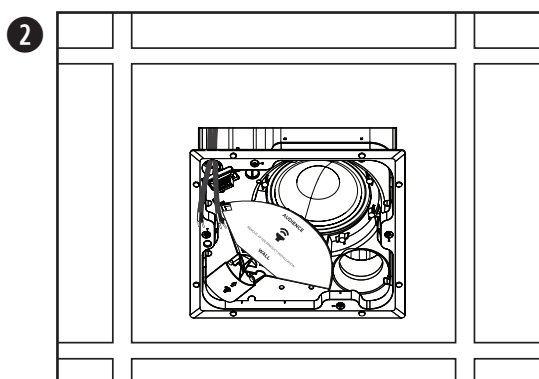


AVERTISSEMENT : Un serrage excessif des vis peut endommager les points de fixation ou le plafond, ce qui pourrait créer un risque de chute.

5. Retirez le protecteur de radiateur sonique.



Trou de passage du câble

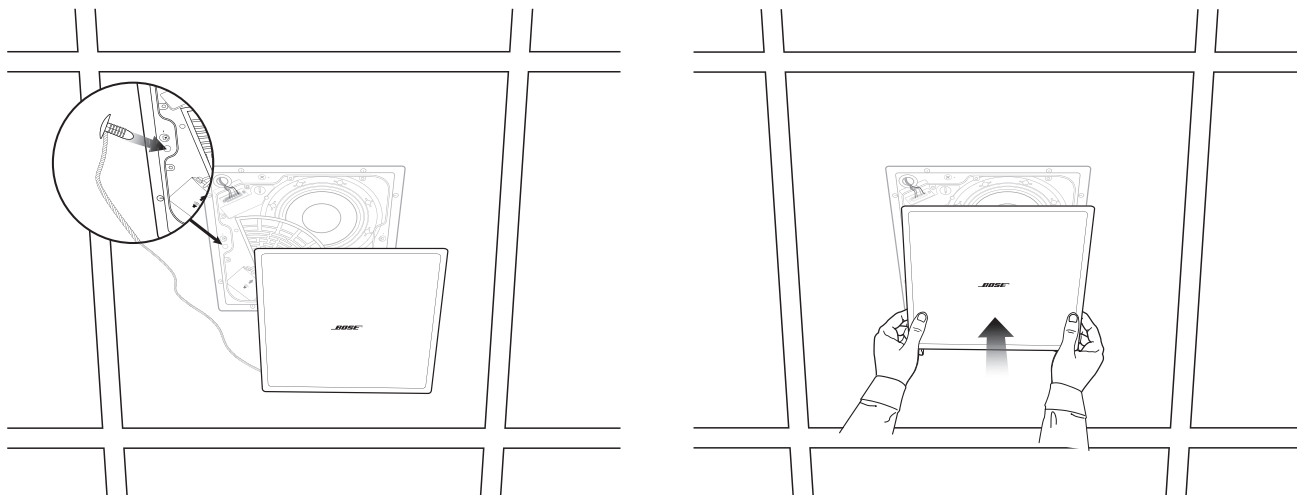


Installation dans un plafond dur avec plaque de montage (nouvelle construction)

Pour plus d'informations sur l'installation d'une plaque de montage, consultez le guide d'installation de la plaque de montage EdgeMax à l'adresse **PRO.BOSE.COM**. Une fois la plaque de montage installée, consultez la section **Montage de l'enceinte** en page 21.

Pose de la grille

Insérez la broche du cordon de sécurité dans l'orifice de l'enceinte. En utilisant les deux mains, positionnez la grille sur l'enceinte. La grille à fixation aimantée adhère à l'enceinte.



Conformité aux réglementations et aux normes de sécurité en vigueur

Les enceintes Bose EdgeMax EM90 et EM180 ont subi avec succès une phase complète de tests et elles sont conformes aux spécifications et utilisations suivantes :

Conformes à la norme ANSI/UL 1480A-2016, Enceintes destinées à un usage professionnel (sécurité) et commercial

Utilisation générale, catégorie UL UEAY, dossier S 5591, numéro de contrôle 3N89

Convient pour une utilisation en intérieur dans des endroits humides conformément à UL 1480A, mais respectez les avertissements et précautions donnés en page 2 de ce guide d'installation, qui imposent des restrictions importantes d'installation.

UL-2043,-2043, Essai de réaction au feu et dégagement de fumée visible pour les produits autonomes et leurs accessoires installés dans des emplacements ventilés. Convient à une utilisation dans des emplacements ventilés (plenum).

Convient à une installation suivant les méthodes de câblage de classe 1, 2 ou 3 selon la norme NFPA 70, *National Electric Code*, 2017, Article 640

NFPA 70, National Electric Code, 2017, Article 300-22(c)

NFPA 90-A, 2015, Installation de systèmes de climatisation et de ventilation, Paragraphe 4.3.11.2.6.5

Les enceintes EdgeMax EM90 et EM180 ont été conçues en conformité avec les exigences définies dans les spécifications réglementaires européennes suivantes relatives aux systèmes utilisés en combinaison :

Testées conformes à la norme CEI 60268-5, 2007

Épaisseur des câbles

Les enceintes EdgeMax EM90 et EM180 sont conçues pour fonctionner avec des câbles de taille 18 (0,8 mm²) à 14 AWG (2,5 mm²) uniquement.

Bitte lesen Sie alle Sicherheitshinweise und Gebrauchsanleitungen durch und bewahren Sie sie auf.

Dieses Produkt darf nur von fachkundigen Monteuren installiert werden! Dieses Dokument soll fachkundigen Monteuren grundlegende Installations- und Sicherheitsrichtlinien für dieses Produkt in typischen Festinstallationen bieten. Bitte lesen Sie dieses Dokument und alle Sicherheitshinweise vor der Installation durch.

Versuchen Sie nicht, dieses Produkt selbst zu warten. Lassen Sie jegliche Reparatur- und Wartungsarbeiten nur von autorisierten Servicepartnern, Monteuren, Technikern, Händlern oder Distributoren durchführen. Die Bose Professional Kontaktdaten für Ihr Land finden Sie auf **PRO.BOSE.COM**.

1. Lesen Sie die folgenden Anweisungen.
2. Bewahren Sie die Anweisungen auf.
3. Beachten Sie alle Warn- und Sicherheitshinweise.
4. Befolgen Sie alle Anweisungen.
5. Verwenden Sie dieses Gerät nicht in der Nähe von Wasser.
6. Reinigen Sie das Gerät nur mit einem sauberen, trockenen Tuch.
7. Achten Sie darauf, dass die Lüftungsöffnungen nicht blockiert sind. Stellen Sie das Gerät nur in Übereinstimmung mit den Herstelleranweisungen auf.
8. Stellen Sie das Gerät nicht in der Nähe von Wärmequellen auf, wie zum Beispiel Heizkörpern, Wärmespeichern, Öfen oder anderen Geräten (auch Verstärkern), die Wärme erzeugen.
9. Verwenden Sie nur Zubehör-/Anbauteile, die vom Hersteller zugelassen sind.



Dieses Produkt enthält magnetische Materialien. Wenden Sie sich an Ihren Arzt, wenn Sie wissen möchten, ob dies den Betrieb Ihres implantierten medizinischen Geräts beeinflussen kann.

- Alle Produkte von Bose müssen gemäß den örtlichen und staatlichen Vorschriften sowie gemäß allen Branchenbestimmungen installiert werden. Der Monteur ist dafür verantwortlich, sicherzustellen, dass die Installation der Lautsprecher und der Halterung gemäß allen geltenden Vorschriften durchgeführt wird, einschließlich örtlicher Bauvorschriften und -bestimmungen. Wenden Sie sich vor der Installation dieses Produkts an die zuständige abnehmende Behörde.
- Eine nicht ausreichend gesicherte Montage schwerer Lasten oder deren Aufhängung über Kopf kann zu schweren oder tödlichen Verletzungen und Sachschäden führen. Der Monteur ist dafür verantwortlich, die Zuverlässigkeit der für die Anwendung verwendeten Befestigungstechniken zu prüfen. Nur fachkundige Monteure mit Wissen über sachgemäße Befestigungselemente und sichere Befestigungstechniken sollten Lautsprecher über Kopf installieren.
- Montieren Sie das Produkt nicht an Orten, an denen Kondenswasser auftreten kann.
- Dieses Produkt ist nicht für die Installation oder Verwendung in Feuchtbereichen (zum Beispiel Schwimmbädern, Wasserparks, Räumen mit Whirlpools, Saunas, Dampfbädern und Eislaufbahnen) gedacht.
- Bei der Montage ist auf eine tragfähige Oberfläche zu achten, in deren Nähe sich keine Einrichtungen wie strom- oder wasserführende Leitungen befinden. Wenden Sie sich im Zweifelsfall mit der Montage der Halterung an einen fachkundigen Monteur. Bei der Montage der Halterung ist auf die Einhaltung der örtlichen Bauvorschriften zu achten.
- Verwenden Sie für die Montage ausschließlich die im Lieferumfang enthaltenen oder von Bose für die Verwendung mit den EdgeMax EM90 und EM180 Lautsprechern zugelassene Hardware und entsprechende Zubehörteile. Informationen zu kompatiblen Zubehörteilen finden Sie in den technischen Datenblättern auf **PRO.BOSE.COM**.
- Nehmen Sie keine nicht genehmigten Änderungen an diesem Produkt vor.
- Verwenden Sie keine auf Kohlenwasserstoff basierenden Lösungsmittel, Schmiermittel oder Reinigungsmittel am oder in der Nähe dieses Lautsprechers oder während der Installation mit dem zugehörigen Montagematerial. Der Kontakt mit solchen Mitteln kann zu Rissen im Kunststoffmaterial und infolgedessen zum Herunterfallen führen.
- Die Lautsprecher nur mit einem weichen, trockenen Tuch reinigen. Verwenden Sie zur Reinigung niemals Seife, Spülmittel, Mineralöl, Alkohol oder sonstige Reinigungsmittel oder Chemikalien.
- Das Abdeckgitter verfügt über einen Sicherheitssperbolzen mit Sicherungsseil für den einmaligen Gebrauch.

Leistungsdaten:

Eingangsspannung: 70 V/100 V

Impedanz: 8 Ω, 125 W

Nennleistung: (70 V): 2,5 W, 5 W, 10 W, 20 W, 40 W, 80 W; (100 V): 5 W, 10 W, 20 W, 40 W, 80 W

Gesetzliche Hinweise



Dieses Produkt entspricht allen Anforderungen der geltenden EU-Richtlinien. Die vollständige Konformitätserklärung ist einsehbar unter:

www.bose.com/compliance.



Dieses Symbol bedeutet, dass das Produkt nicht mit dem Hausmüll entsorgt werden darf, sondern bei einer geeigneten Sammelstelle für das Recycling abgegeben werden muss. Die ordnungsgemäße Entsorgung und das Recycling tragen dazu bei, die natürlichen Ressourcen, die Gesundheit und die Umwelt zu schützen. Weitere Informationen zur Entsorgung und zum Recycling dieses Produkts erhalten Sie von Ihrer zuständigen Kommune, Ihrem Entsorgungsdienst oder dem Geschäft, in dem Sie dieses Produkt gekauft haben.

Herstellungsdatum: Die achte Ziffer in der Seriennummer gibt das Herstellungsjahr an: „7“ ist 2007 oder 2017.

Importeur aus China: Bose Electronics (Shanghai) Company Limited, Part C, Plant 9, No. 353 North Ruying Road, China (Shanghai) Pilot Free Trade Zone

Importeur aus der EU: Bose Products B.V., Gorslaan 60, 1441 RG Purmerend, Niederlande

Importeur aus Mexiko: Bose de México, S. de R.L. de C.V., Paseo de las Palmas 405-204, Lomas de Chapultepec, 11000 México, D.F. Importeur- und Serviceinformationen erhalten Sie unter: +5255 (5202) 3545

Importeur aus Taiwan: Bose Taiwan Branch, 9F-A1, No. 10, Section 3, Minsheng East Road, Taipei City 104, Taiwan. Tel.: +886-2-2514 7676

Bose und EdgeMax sind Marken der Bose Corporation.

Hauptsitz der Bose Corporation: 1-877-230-5639

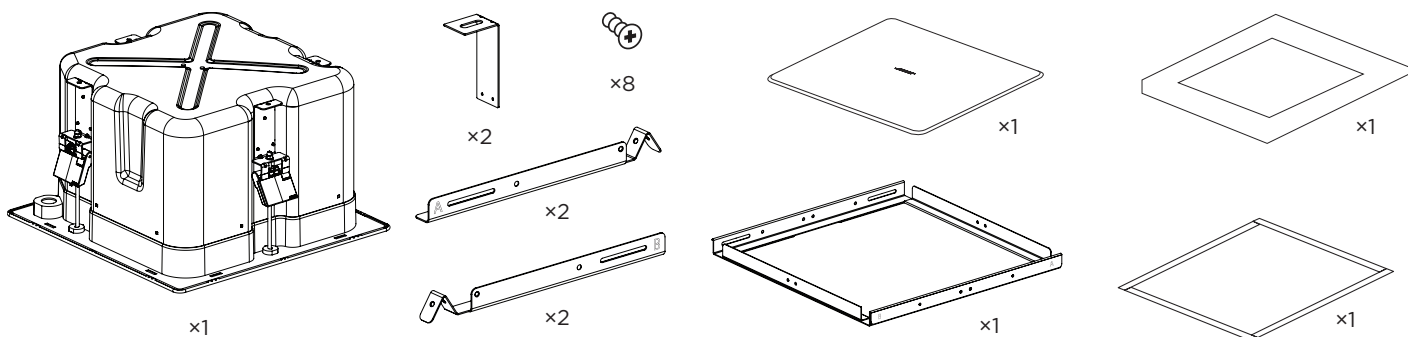
©2019 Bose Corporation. Dieses Dokument darf ohne vorherige schriftliche Genehmigung weder ganz noch teilweise reproduziert, verändert, vertrieben oder in anderer Weise verwendet werden.

Garantiehinweise

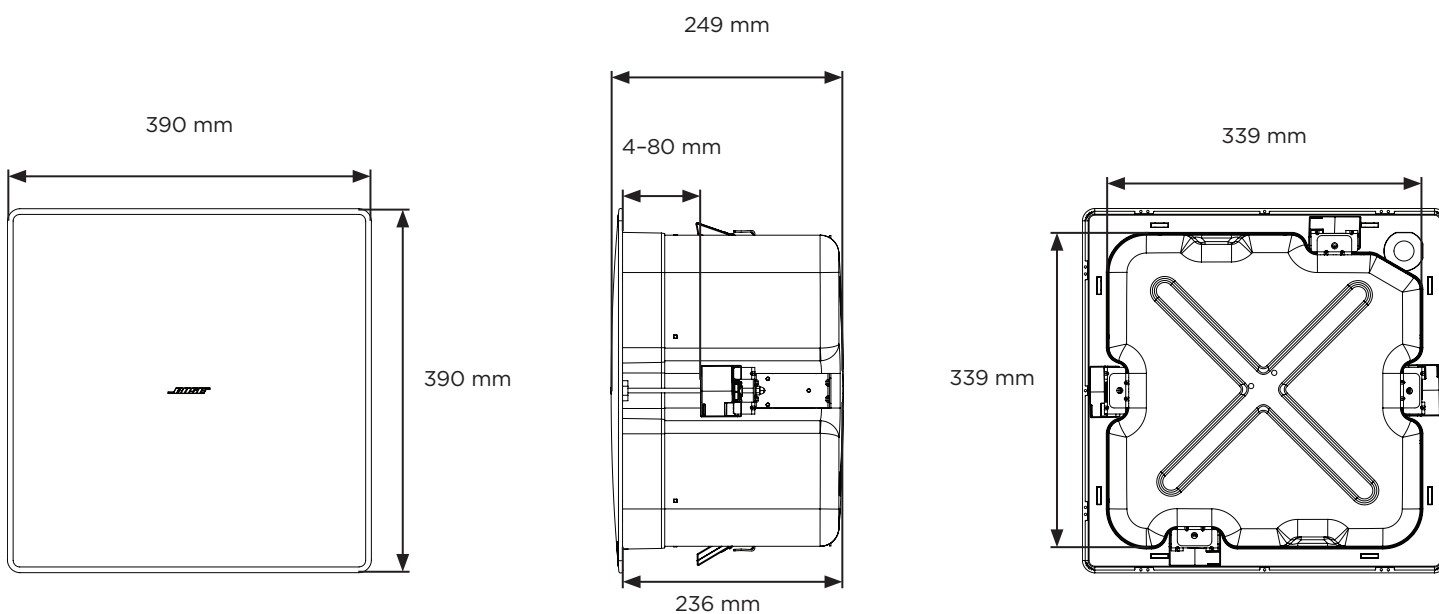
Für dieses Produkt gilt eine eingeschränkte Garantie.

Informationen zur Gewährleistung finden Sie unter **PRO.BOSE.COM**.

Verpackungsinhalt



Produktabmessungen



Technische Spezifikationen

Weitere technische Spezifikationen können Sie den technischen Datenblättern für EdgeMax EM90 und EM180 auf PRO.BOSE.COM entnehmen.

Material, Abmessungen, Gewicht	
Produktabmessungen	Abdeckgitter: 390 mm × 390 mm
	Gehäuse: 339 mm × 339 mm
	Tiefe Rückwand: 236 mm
Aussparung	345 mm × 345 mm
Maximale Deckendicke	80 mm
Nettogewicht – Lautsprecher und Abdeckgitter	10,1 kg
Nettogewicht – Tile Bridge	1,4 kg
Versandgewicht	12,5 kg

Wichtige Installationshinweise



Der Monteur ist dafür verantwortlich, sicherzustellen, dass die Installation der Lautsprecher und der Halterung gemäß allen geltenden Vorschriften durchgeführt wird, einschließlich örtlicher Bauvorschriften und -bestimmungen. Wenden Sie sich vor der Installation dieses Produkts an die zuständige abnehmende Behörde.

Die Gewährleistung der Sicherheit der Lautsprechermontage obliegt demjenigen, der den Lautsprecher anbringt. Die fehlerhafte Montage des Lautsprechers kann zu Sach- und Personenschäden bis hin zur Todesfolge führen.

Montieren Sie das Produkt nicht an Orten, an denen Kondenswasser auftreten kann.



Dieses Produkt ist nicht für die Installation oder Verwendung in Feuchtbereichen (zum Beispiel Schwimmbädern, Wasserparks, Räumen mit Whirlpools, Saunas, Dampfbädern und Eislaufbahnen) gedacht.

Bei der Montage ist auf eine tragfähige Oberfläche zu achten, in deren Nähe sich keine Einrichtungen wie strom- oder wasserführende Leitungen befinden. Wenden Sie sich im Zweifelsfall mit der Montage der Halterung an einen fachkundigen Monteur. Bei der Montage der Halterung ist auf die Einhaltung der örtlichen Bauvorschriften zu achten.

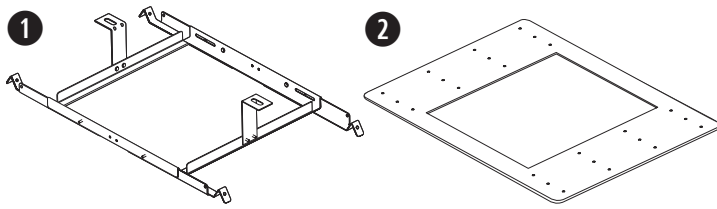


Verwenden Sie keine auf Kohlenwasserstoff basierenden Lösungsmittel, Schmiermittel oder Reinigungsmittel am oder in der Nähe dieses Lautsprechers oder während der Installation mit dem zugehörigen Montagematerial. Der Kontakt mit solchen Mitteln kann zu Rissen im Kunststoffmaterial und infolgedessen zum Herunterfallen führen.

Installationsoptionen

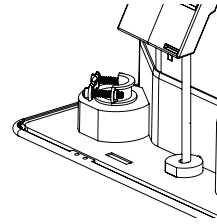
Installationsoptionen und Montagezubehör

- 1 Einstellbare Tile Bridge (im Lieferumfang enthalten)
- 2 Rough-in Pan (optional erhältlich)

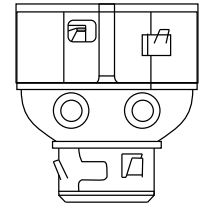


Kabelverschraubung (Zugentlastung)

Bei Verwendung eines Kabelschutzrohres aus Metall ist eine einzelne 3/8-Zoll-Kabelverschraubung oder ein 3/8-Zoll-Duplex-Anschluss zu verwenden.
Hinweis: Kabelverschraubungen sind nicht im Lieferumfang enthalten.



3/8 Zoll- Einzelanschluss



3/8 Zoll Duplex-Anschluss/ Schleife

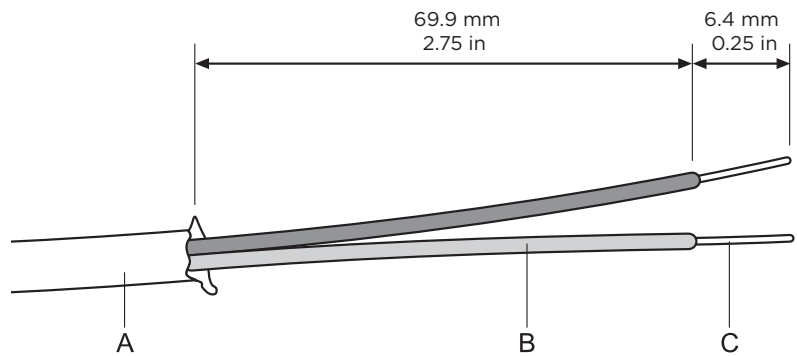
Verkabeln des Lautsprechers

Bei Verwendung direkter Eingangsklemmen

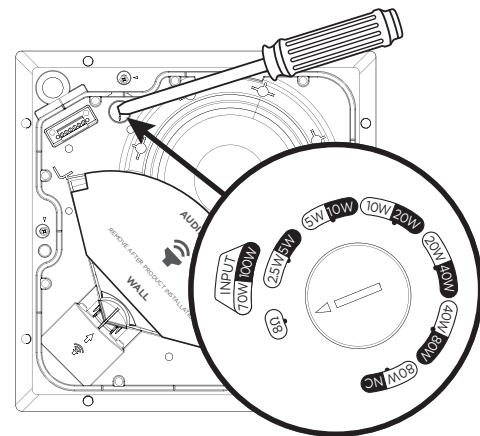
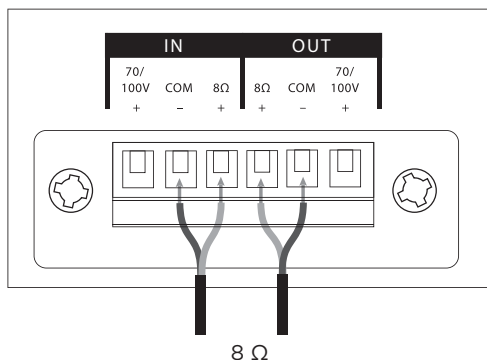
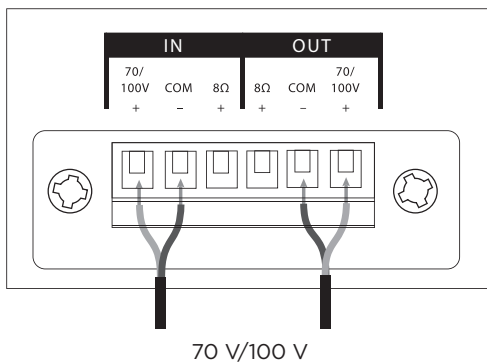
Erforderlicher Kabeldurchmesser für den Anschluss der Lautsprecher an das Ausgangssignal: Nur Kabel in den Größen 18 AWG (0,8 mm²) bis 14 AWG (2,5 mm²) verwenden.

Vorbereitung des Kabels

Entfernen Sie die äußere Umhüllung (A) und einen Teil der Isolierung (B), um genügend Leiterdraht (C) für den Anschluss an die Anschlüsse freizulegen.



Lautsprechereinstellungen



70 V						8 Ω
2,5 W*	5 W	10 W	20 W	40 W	80 W	
5 W*	10 W	20 W	40 W	80 W	KA**	
100 V						

* Werkseinstellung

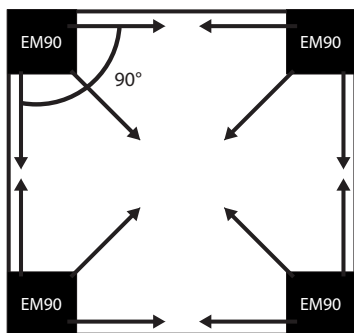
** KA: Kein Anschluss (nicht verwenden)

Leistungsabgabe des Übertragers

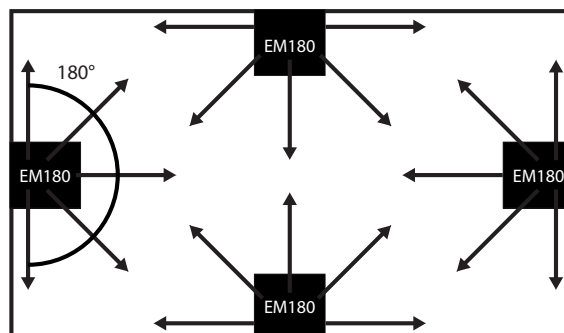
Stellen Sie die Leistungsabgabe durch Drehen ein. Verwenden Sie dafür einen Schlitzschraubendreher.

Vorbereitung der Montage

Montieren Sie den EM90 in einer Ecke. Die Draufsicht der Raumplatzierung finden Sie unten.



Montieren Sie den EM180 an einer Wand. Die Draufsicht der Raumplatzierung finden Sie unten.



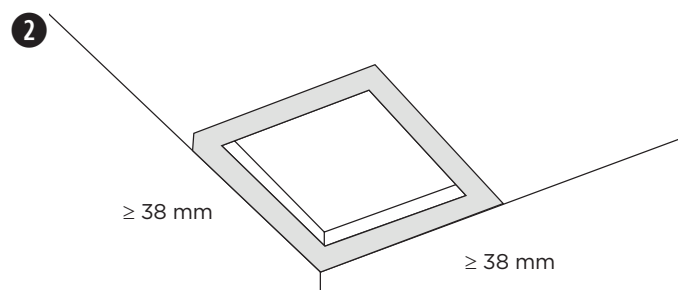
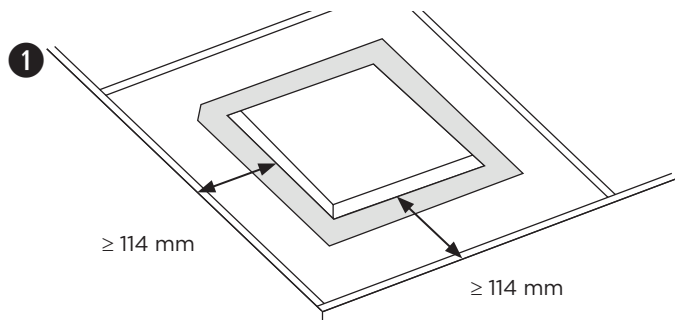
Hinweis: Phase Guide Abschirmung erst am Ende der Montage abnehmen.

Der richtige Lautsprecherstandort

Berücksichtigen Sie bei der Montage des Lautsprechers zwischen Wand und Decke den Abdeckgitterüberstand. Um einen wirksamen Magnetverschluss zu ermöglichen, muss das Abdeckgitter deckenbündig aufliegen.

Mit der im Lieferumfang enthaltenen Vorlage haben Sie bei der Standortauswahl und dem Ausstanzen die Abmessungen des Lautsprechers stets vor Augen.

1. Für EM90 oder EM180 bei Deckenplatteneinbau: Halten Sie einen Mindestabstand von 11,4 cm zur Wand ein, um ausreichend Platz für die Tile Bridge zu lassen.
2. Für EM90 oder EM180 bei Verankerung in durchgängig festen Decken: Legen Sie die Ausstanzvorlage aus Karton direkt an der Ecke (EM90) bzw. die Wand an (EM180). Dadurch halten Sie 3,8 cm oder mehr für das Abdeckgitter frei.



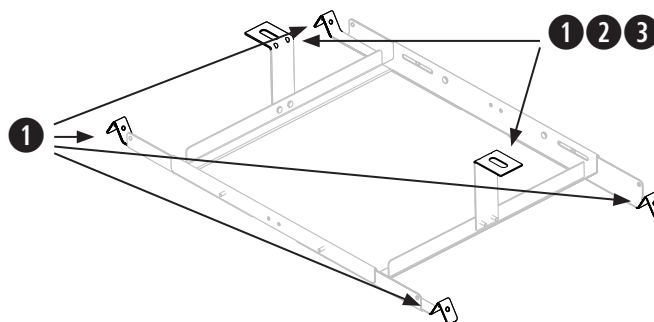
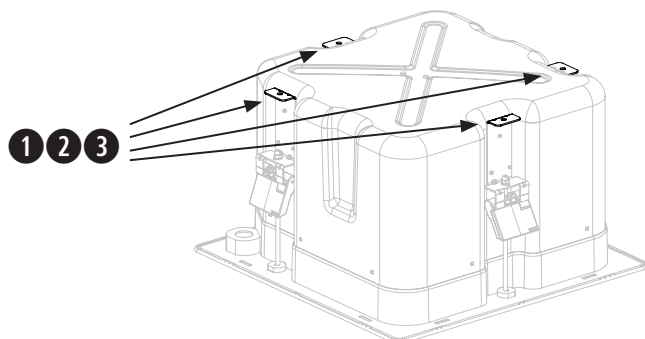
Hinweis: Eine Installation in unmittelbarer Nähe einer Kochstelle, wo der Lautsprecher Speiseöl, Dämpfen oder hohen Temperaturen ausgesetzt ist (wie z. B. in gewerblichen Räumlichkeiten mit Kochstellen), kann die Leistung oder Zuverlässigkeit des Lautsprechers beeinträchtigen.

Verwendung eines Sicherungsseils

Einige Bauvorschriften schreiben als Sicherheitsvorkehrung vor, den Lautsprecher an der tragenden Konstruktion zusätzlich abzusichern. Wählen Sie eine Montageposition und -methode sowie Werkzeuge, die den örtlichen Bauvorschriften entsprechen.

Bose empfiehlt die Verwendung (1) eines Sicherheitskabels, (2) eines Sicherungsseils oder (3) einer Gewindestange zur zusätzlichen Absicherung der Konstruktion. Befestigungspunkte für Sicherheitsaufhängungen können Sie den untenstehenden Diagrammen entnehmen.

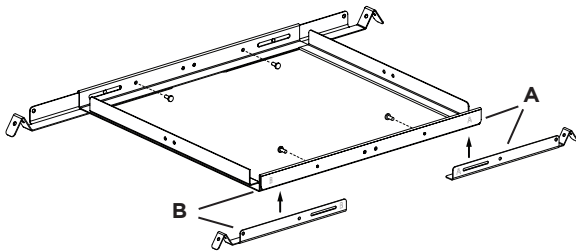
Befolgen Sie bei der Montage zusätzlicher Sicherheitsaufhängungen die Anweisungen des Herstellers.



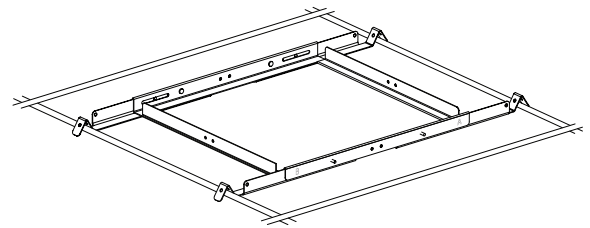
Montage der Tile Bridge

1. Befestigen Sie die vier Schienen mit vier der mitgelieferten Schrauben am mittleren Rahmen. Der Schraubenkopf zeigt dabei in das Innere der Tile Bridge. Die Schienen und der mittlere Rahmen sind mit A und B gekennzeichnet, um die richtigen Befestigungspunkte ermitteln zu können.
2. Passen Sie die Länge der Tile Bridge-Schienen so an, dass sie sicher auf der Unterdeckenkonstruktion oder Lattung liegen.
Hinweis: Die Tile Bridge unterstützt einen Abstand von 56 bis 66 Zentimeter.
3. Ziehen Sie die vier Schrauben an, mit denen die Tile Bridge-Schienen am mittleren Rahmen befestigt sind.
4. Optional: Befestigen Sie den L-Montagebügel an der Tile Bridge, um einen zusätzlichen Befestigungspunkt für eine Sicherheitsaufhängung zu erhalten. Weitere Informationen finden Sie unter **Verwendung eines Sicherungsseils** auf Seite 26.
Hinweis: Achten Sie beim Platzieren der L-Halterungen darauf, den Sitz der Lautsprecher-Verankerungen an der Tile Bridge nicht zu behindern.

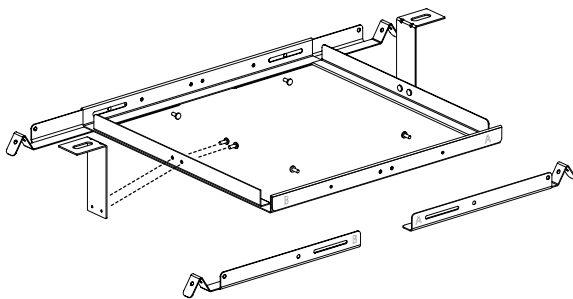
1



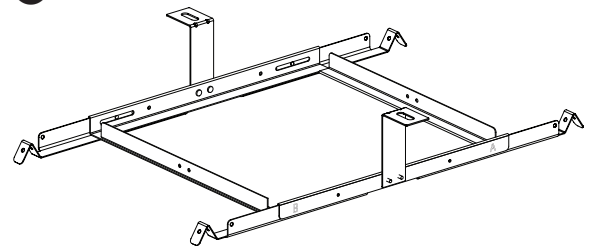
2



3



4

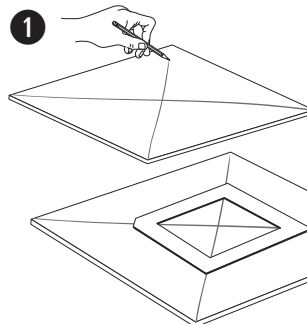


Vorbereitung einer akustischen Deckenplatte

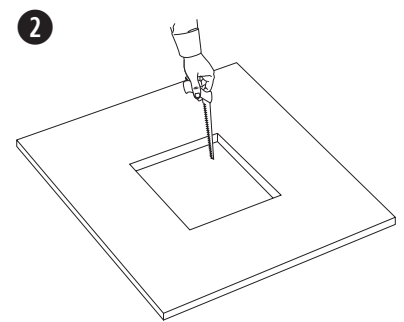
Zuschneiden der Deckenplatte

1. Entfernen Sie die Deckenplatte und zeichnen Sie unter Verwendung der Vorlage die Aussparung für den Lautsprecher auf die Platte. Um die Vorlage mittig aufzulegen, verbinden Sie zunächst die Eckpunkte der Platte zu einem „X“ und richten Sie anschließend die Vorlage anhand des Schnittpunkts aus.
2. Schneiden Sie die Aussparung in die Platte.

1



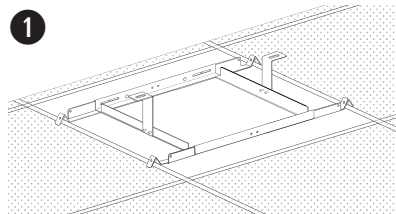
2



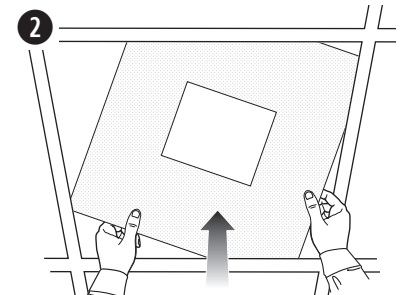
Installieren der Tile Bridge

1. Setzen Sie die Tile Bridge in die Unterdeckenkonstruktion ein. Passen Sie gegebenenfalls die Länge der Tile Bridge-Ausleger an, um ein Aufliegen zu gewährleisten.
2. Setzen Sie die Deckenplatte wieder ein.

1



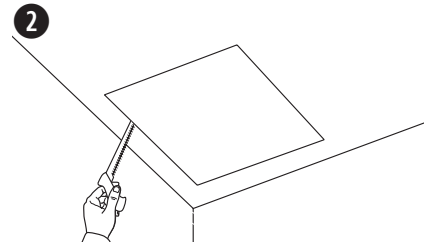
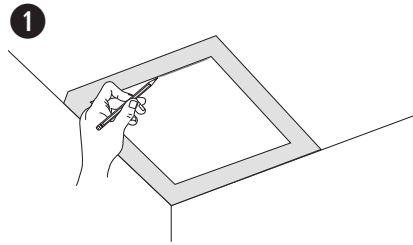
2



Vorbereitung von durchgängig festen Decken (bestehende Konstruktion)

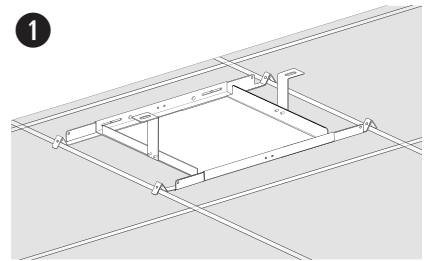
Zuschneiden der Deckenplatte

1. Verwenden Sie die Vorlage, um die Aussparung auf der Platte aufzuzeichnen.
2. Schneiden Sie die Öffnung in die Platte.




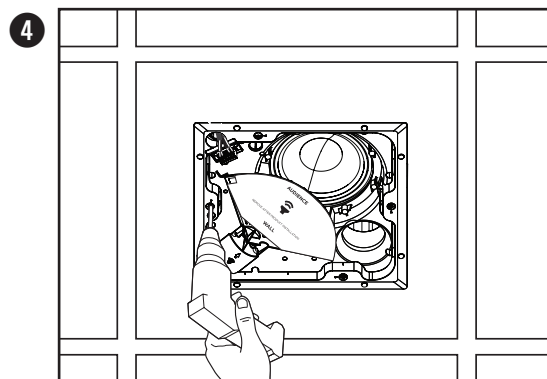
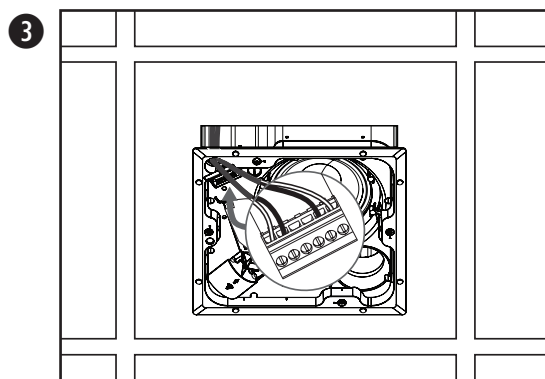
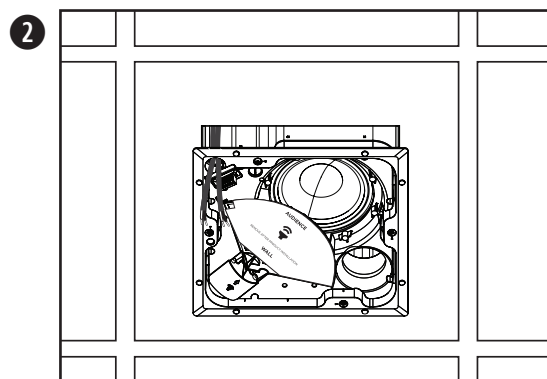
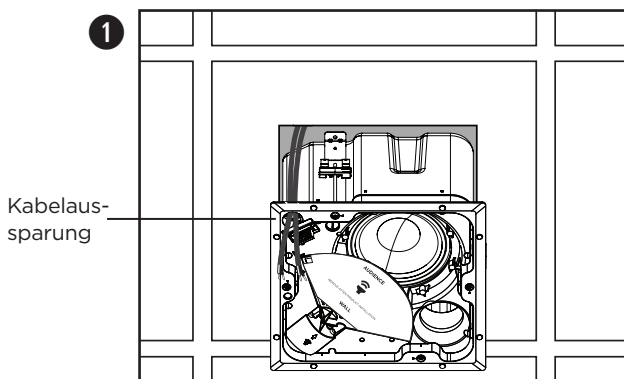
Installieren der Tile Bridge

1. Setzen Sie die montierte Tile Bridge durch die Aussparung ein und setzen Sie sie in die Unterdeckenkonstruktion oder Lattung ein. Passen Sie gegebenenfalls die Länge der Tile Bridge-Schienen an, um ein Aufliegen auf der Unterdeckenkonstruktion oder Lattung zu gewährleisten.



Befestigung des Lautsprechers

1. Führen Sie das Audiokabel durch die Kabelaussparung (neben dem Kabelanschluss) durch.
2. Führen Sie den Lautsprecher in die Tile Bridge ein. Stellen Sie sicher, dass die Verankerungen an der Tile Bridge einrasten, bevor Sie den Lautsprecher loslassen.
3. Entfernen Sie den Anschlussstecker, verkabeln Sie ihn und setzen Sie ihn wieder in den Lautsprecher ein. Weitere Informationen zur Verkabelung finden Sie unter **Verkabeln des Lautsprechers** auf Seite 25.
4. Ziehen Sie die Halterungsschrauben fest, um den Lautsprecher zu fixieren. Wenn Sie einen Akkuschauber verwenden, stellen Sie eine niedrige Drehmomentstufe ein.

WICHTIGER HINWEIS: Ein übermäßiges Anziehen der Schrauben kann die Stabilität des Verankerungspunkts oder der Decke beeinträchtigen und möglicherweise zum Herunterfallen führen.
5. Nehmen Sie die Phase Guide Abschirmung ab.

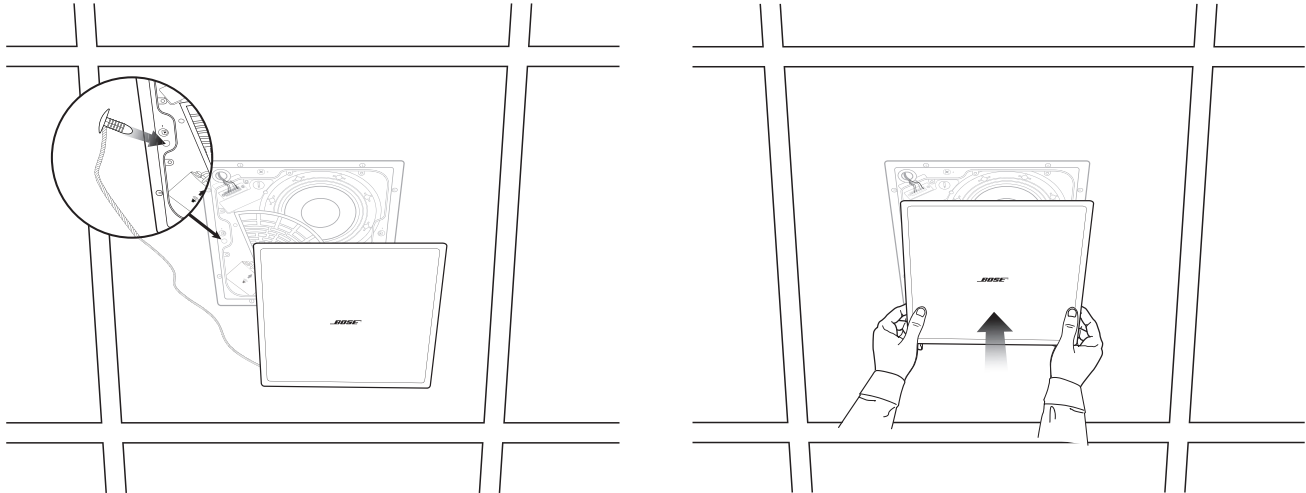


Installation in durchgängig festen Decken mithilfe einer Rough-in-Pan (Neubauten)

Informationen zum Installieren einer Rough-in Pan finden Sie in der entsprechenden EdgeMax Anleitung unter **PRO.BOSE.COM**. Befolgen Sie nach der Installation der Rough-in Pan die Anleitung unter **Befestigung des Lautsprechers** auf Seite 28.

Anbringen der Frontabdeckung

Führen Sie den Sicherheitssperrbolzen durch die Aussparung in den Lautsprecher. Platzieren Sie das Abdeckgitter mit beiden Händen auf dem Lautsprecher. Das Abdeckgitter haftet magnetisch am Lautsprecher.



Sicherheitshinweise und gesetzliche Bestimmungen

Bose EdgeMax EM90 und EM180 Lautsprecher wurden umfassenden Prüfungen unterzogen und entsprechen den folgenden Normen und Einsatzanforderungen:

Zertifiziert gemäß ANSI/UL 1480A-2016, Speakers for Commercial & Professional Use

Allgemeine Gebrauchsfähigkeit - UL-Kategorie UEAY, Aktenzeichen S 5591 Kontrollnummer 3N89

Geeignet für die Verwendung in Innenbereichen unter feuchten Bedingungen gemäß UL 1480A. Beachten Sie bitte die Hinweise und Warnungen auf Seite 2 dieser Installationsanleitung zu wichtigen Installationseinschränkungen.

UL-2043, 2013, Brandprüfung für die Abgabe von Wärme und sichtbarem Rauch durch Einzelprodukte und ihre Zubehörteile in Klimaräumen. Geeignet für den sicheren Gebrauch in abgehängte Decken.

Geeignet für die Installation mit Class 1, Class 2 oder Class 3 Verkabelungsverfahren gemäß NFPA 70, *National Electric Code*, 2017, Article 640

NFPA 70, National Electric Code, 2017, Article 300-22(c).

NFPA 90-A, 2015, Installation of Air Conditioning and Ventilation Systems, Paragraph 4.3.11.2.6.5

EdgeMax EM90 und EM180 Lautsprecher wurden gemäß den Anforderungen der folgenden EU-Norm für kombinierte Systeme entwickelt:

Getestet gemäß IEC 60268-5, 2007

Kabeldurchmesser

EdgeMax EM90 und EM180 Lautsprecher wurden für den ausschließlichen Gebrauch mit Kabeln der Größen 18 AWG (0,8 mm²) bis 14 AWG (2,5 mm²) entwickelt.

Leggere e conservare tutte le istruzioni per la sicurezza e per l'uso.

Questo prodotto deve essere installato esclusivamente da installatori professionisti.

Il presente documento ha lo scopo di fornire agli installatori professionisti le istruzioni di base per l'installazione e la sicurezza di questo prodotto in tipici sistemi da installazione fissa. Prima dell'installazione, leggere questo documento e le avvertenze sulla sicurezza.

Non tentare di riparare il prodotto autonomamente. Per tutti gli interventi di assistenza, rivolgersi ai centri assistenza, agli installatori, ai tecnici, ai rivenditori o ai distributori autorizzati. Per contattare Bose Professional o per trovare il rivenditore o distributore più vicino, visita

PRO.BOSE.COM.

1. Leggere queste istruzioni.
2. Conservare queste istruzioni.
3. Prestare attenzione a tutte le avvertenze.
4. Seguire tutte le istruzioni.
5. Non utilizzare l'apparecchio in prossimità di acqua.
6. Per la pulizia utilizzare un semplice panno asciutto.
7. Non ostruire le aperture di ventilazione. Installare il prodotto in conformità con le istruzioni fornite dal produttore.
8. Non installare in prossimità di fonti di calore, quali termosifoni, radiatori, stufe o altri apparecchi (compresi gli amplificatori) che generino calore.
9. Utilizzare solo sistemi di fissaggio/accessori specificati dal produttore.

AVVISI/AVVERTENZE

Questo prodotto contiene materiale magnetico. Rivolgersi al proprio medico per eventuali domande sui possibili effetti del prodotto sui dispositivi medici impiantati nel corpo umano.

- Tutti i prodotti Bose devono essere installati in conformità con gli standard locali, statali, federali e di settore. È responsabilità dell'installatore assicurare che l'installazione dei diffusori e del sistema di montaggio venga eseguita in conformità con le normative vigenti, compresi i regolamenti edilizi locali. Prima di installare il prodotto, chiedere informazioni all'autorità locale preposta.
- L'installazione o la sospensione non sicura di carichi pesanti può causare gravi lesioni alle persone e danni materiali. È responsabilità dell'installatore valutare l'affidabilità del metodo di installazione utilizzato per l'applicazione specifica. Solo installatori professionisti esperti di tecniche di installazione sicura dell'hardware possono installare un diffusore in posizione sospesa.
- Non posizionare il prodotto in punti dove potrebbe formarsi condensa.
- Il prodotto non deve essere installato né utilizzato in aree di servizio o intrattenimento vicine all'acqua (ad es. piscine coperte, parchi acquatici al chiuso, sale con vasche riscaldate, saune, bagni turchi e piste di pattinaggio al chiuso).
- Non eseguire l'installazione su superfici non sufficientemente robuste o dietro le quali si nascondono elementi potenzialmente pericolosi, quali cavi elettrici o tubazioni idrauliche. In caso di dubbi durante l'installazione della staffa, contattare un installatore professionista. Verificare che la staffa sia installata in accordo ai parametri costruttivi locali.
- Utilizzare solo componenti e accessori forniti o specificati da Bose per l'uso con i diffusori EdgeMax EM90 ed EM180. Per informazioni sugli accessori compatibili, consultare la scheda tecnica del prodotto all'indirizzo **PRO.BOSE.COM**.
- Non apportare alterazioni non autorizzate al prodotto.
- Non utilizzare solventi a base di idrocarburi, lubrificanti o detersivi di qualunque tipo sopra o intorno a questo diffusore e sui relativi componenti di montaggio durante l'installazione. L'esposizione a tali sostanze può danneggiare i materiali plastici e causare spaccature, con conseguenti rischi di caduta.
- Utilizzare esclusivamente un panno asciutto per pulire i diffusori. Non esporre il diffusore a saponi, detersivi, oli minerali o alcol, né ad altri detersivi o prodotti chimici.
- La griglia è dotata di un perno con cordino di sicurezza concepito per un solo uso.

Specifiche di prodotto

Tensione d'ingresso: 70V/100V

Impedenza: 8 Ω, 125 W

Corrente o potenza: (70V): 2,5 W, 5 W, 10 W, 20 W, 40 W, 80 W; (100 V): 5 W, 10 W, 20 W, 40 W, 80 W

Informazioni sulle normative

CE Questo prodotto è conforme a tutti i requisiti pertinenti delle direttive UE. La dichiarazione di conformità completa è disponibile all'indirizzo: **www.Bose.com/compliance**.

Questo simbolo indica che il prodotto non deve essere smaltito con i rifiuti domestici, ma deve essere consegnato a una struttura di raccolta appropriata per il riciclaggio. Uno smaltimento e un riciclaggio corretti aiutano a preservare le risorse naturali, la salute e l'ambiente. Per ulteriori informazioni sullo smaltimento e sul riciclaggio di questo prodotto, rivolgersi alle autorità locali, al servizio di smaltimento dei rifiuti o al negozio presso il quale è stato acquistato.

Data di produzione: l'ottava cifra del numero di serie corrisponde all'anno di produzione; ad esempio "7" indica 2007 o 2017.

Importatore per la Cina: Bose Electronics (Shanghai) Company Limited, Part C, Plant 9, No. 353 North Ruying Road, China (Shanghai) Pilot Free Trade Zone

Importatore per l'UE: Bose Products B.V., Gorslaan 60, 1441 RG Purmerend, Paesi Bassi

Importatore per il Messico: Bose de México, S. de R.L. de C.V., Paseo de las Palmas 405-204, Lomas de Chapultepec, 11000 México, D.F. Per informazioni su importatori e servizi: +5255 (5202) 3545

Importatore per Taiwan: Bose Taiwan Branch, 9F-A1, No.10, Section 3, Minsheng East Road, Taipei City 104, Taiwan. N. telefono: +886-2-2514 7676

Bose ed EdgeMax sono marchi di Bose Corporation.

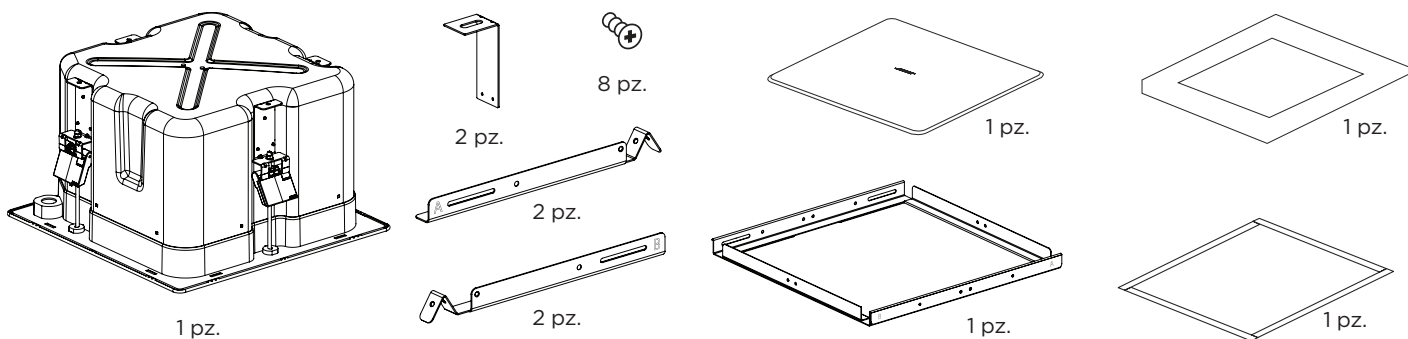
Sede principale di Bose Corporation: 1-877-230-5639

©2019 Bose Corporation. Nessuna parte di questo documento può essere riprodotta, modificata, distribuita o usata in altro modo senza previa autorizzazione scritta.

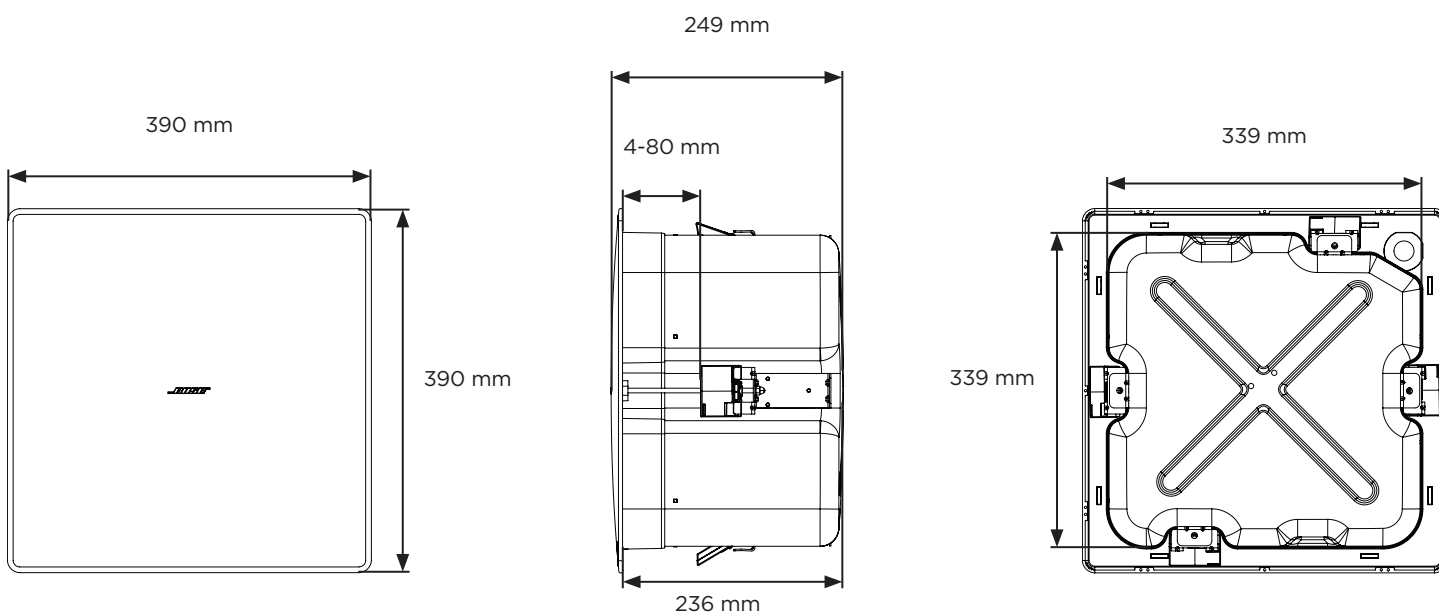
Informazioni sulla garanzia

Questo prodotto è coperto da una garanzia limitata.
Per i dettagli sulla garanzia, visitare **PRO.BOSE.COM**.

Contenuto della confezione



Dimensioni del prodotto



Specifiche tecniche

Per ulteriori specifiche, consultare la scheda tecnica dei diffusori EdgeMax EM90 ed EM180 all'indirizzo PRO.BOSE.COM.

Caratteristiche fisiche	
Dimensioni del prodotto	Griglia: 390 mm × 390 mm
	Cabinet: 339 mm × 339 mm
	Profondità backcan: 236 mm
Apertura del foro	345 mm × 345 mm
Spessore massimo del controsoffitto	80 mm
Peso netto del diffusore con griglia	10,1 kg
Peso netto tile bridge	1,4 kg
Peso spedizione	12,5 kg

Informazioni importanti sull'installazione



È responsabilità dell'installatore assicurare che l'installazione dei diffusori e del sistema di montaggio venga eseguita in conformità con le normative vigenti, compresi i regolamenti edilizi locali. Prima di installare il prodotto, chiedere informazioni all'autorità locale preposta.

È responsabilità dell'installatore garantire un'installazione sicura del diffusore. Un'installazione non corretta del diffusore può causare danni materiali e gravi lesioni alle persone.

Non posizionare il prodotto in punti dove potrebbe formarsi condensa.



Il prodotto non deve essere installato né utilizzato in aree di servizio o intrattenimento vicine all'acqua (ad es. piscine coperte, parchi acquatici al chiuso, sale con vasche riscaldate, saune, bagni turchi e piste di pattinaggio al chiuso).

Non eseguire l'installazione su superfici non sufficientemente robuste o dietro le quali si nascondono elementi potenzialmente pericolosi, quali cavi elettrici o tubazioni idrauliche. In caso di dubbi durante l'installazione della staffa, contattare un installatore professionista. Verificare che la staffa sia installata in accordo ai parametri costruttivi locali.

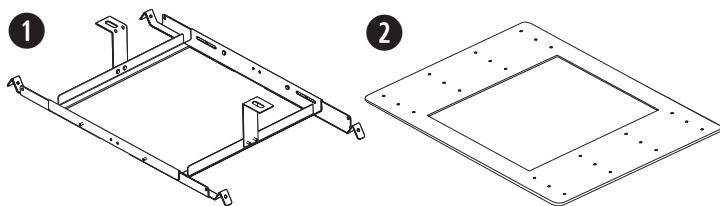


Non utilizzare solventi a base di idrocarburi, lubrificanti o detergenti di qualunque tipo sopra o intorno a questo diffusore e sui relativi componenti di montaggio durante l'installazione. L'esposizione a tali sostanze può danneggiare i materiali plastici e causare spaccature, con conseguenti rischi di caduta.

Opzioni di installazione

Opzioni ed accessori di installazione

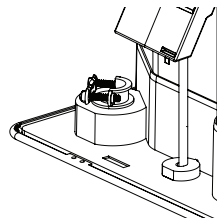
- ❶ Tile bridge regolabile (incluso)
- ❷ Rough-in pan (opzionale)



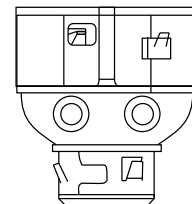
Raccordo del tubo protettivo

Se si utilizza un tubo protettivo metallico flessibile, usarlo con un raccordo da 9,5 mm o un connettore doppio (duplex) da 9,5 mm.

Nota: raccordi del tubo protettivo non in dotazione.



Ingresso singolo da 9,5 mm.



Ingresso duplex/ad anello da 9,5 mm.

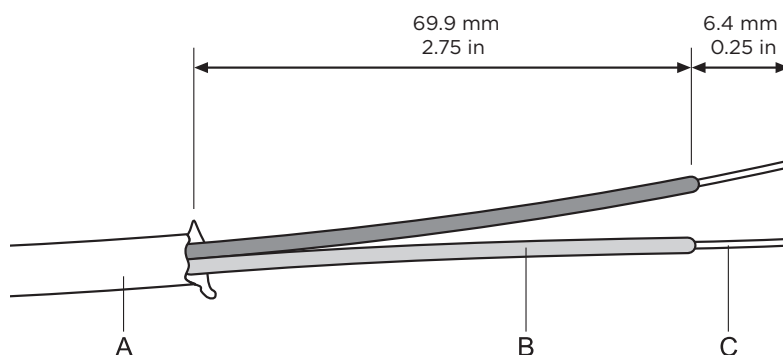
Cablaggio del diffusore

Con terminali di ingresso diretto

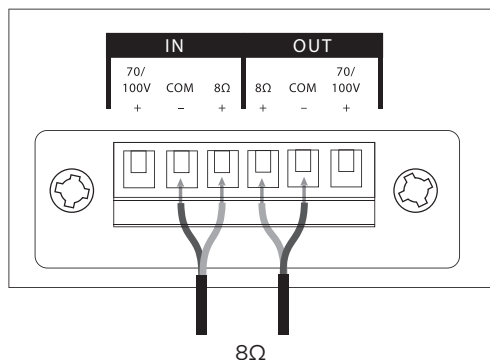
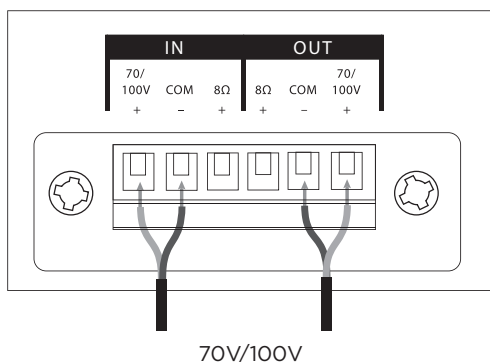
Requisiti relativi al diametro dei cablaggi che collegano i diffusori ai relativi terminali: Utilizzare esclusivamente cavi di dimensioni comprese tra 18 AWG (0,8 mm²) e 14 AWG (2,5 mm²).

Preparazione dei cavi

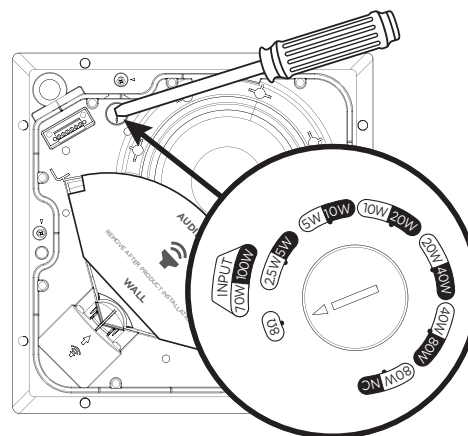
Tagliare il rivestimento esterno (A) e parte della guaina di isolamento (B) per scoprire una porzione sufficiente di cavo (C) da collegare ai terminali.



Schemi di collegamento



Impostazioni diffusore



70 V						8Ω
2,5 W*	5 W	10 W	20 W	40 W	80 W	
5 W*	10 W	20 W	40 W	80 W	NC**	
100 V						

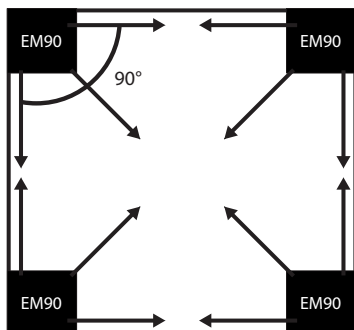
* Impostazioni di fabbrica ** NC: nessuna connessione (non utilizzare)

Impostazione terminale a trasformatore

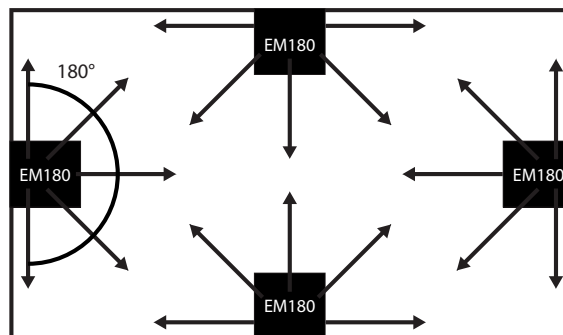
Impostare il terminale ruotandolo tramite un cacciavite a testa piatta.

Preparazione dell'installazione

Installare il diffusore EM90 in corrispondenza di un angolo. Vedere di seguito la vista dall'alto del posizionamento nel locale.



Installare il diffusore EM180 a bordo parete. Vedere di seguito la vista dall'alto del posizionamento nel locale.



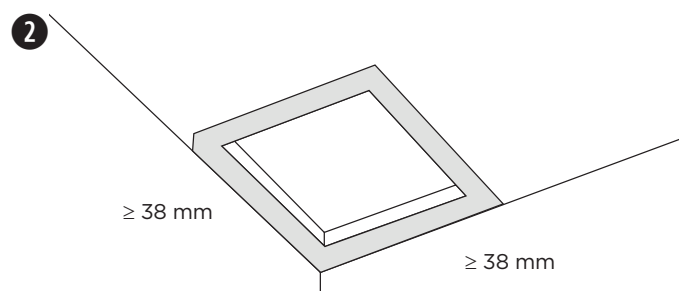
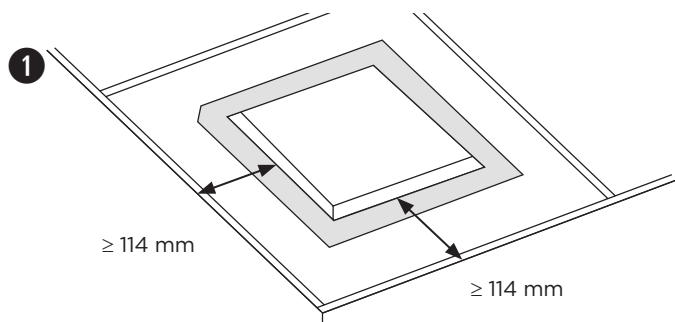
Nota: non rimuovere la protezione PhaseGuide fino al termine dell'installazione.

Posizionamento del diffusore

In caso di installazione del diffusore in prossimità di un punto di incontro parete-soffitto, lasciare uno spazio sufficiente per la sporgenza della griglia. La griglia deve risultare a filo con la superficie del soffitto per permettere alle calamite di aderire completamente.

Utilizzare il modello allegato per creare un'apertura di dimensioni adeguate per il diffusore e garantirne il corretto posizionamento.

1. Per diffusori EM90 o EM180 in pannello a soffitto: posizionare l'apertura del diffusore ad almeno 114 millimetri da ciascuna parete per lasciare lo spazio necessario al tile bridge.
2. Per diffusori EM90 o EM180 in soffitti in materiale rigido: posizionare il modello in cartone a filo con l'angolo (per modelli EM90) o la parete (per modelli EM180). In questo modo rimarranno almeno 38 mm da ogni parete per poter inserire la griglia.



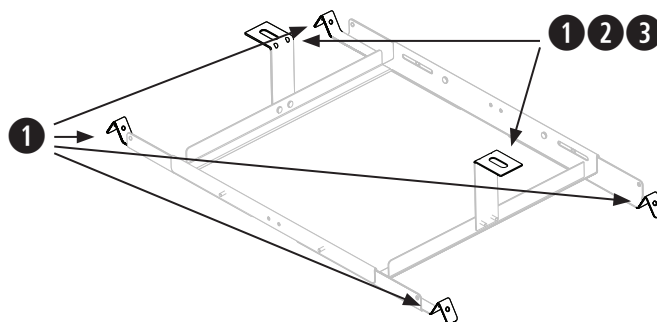
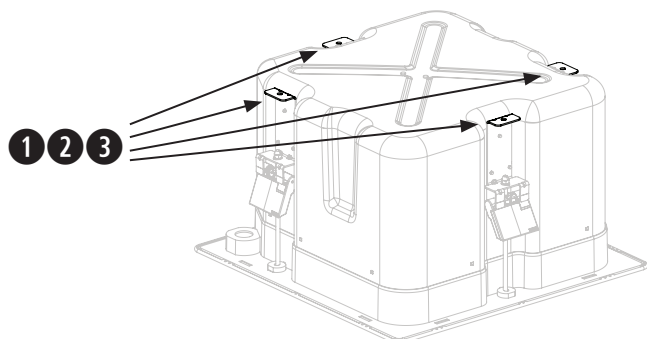
Nota: l'installazione in prossimità di piani di cottura dove il diffusore possa essere direttamente esposto a oli alimentari, fumi, vapore o calore elevato, come ad esempio in cucine commerciali, può ridurre le prestazioni o l'affidabilità del diffusore.

Uso di un cavo di sicurezza

Alcune normative edilizie regionali richiedono l'impiego di un secondo metodo di fissaggio dei diffusori alle strutture di supporto, allo scopo di garantire una maggior sicurezza. Scegliere posizione, metodo e accessori di fissaggio conformi alle normative edilizie locali.

Bose raccomanda l'utilizzo di (1) un filo di frenatura, (2) un cavo di sicurezza o (3) un tirante filettato come meccanismo di fissaggio secondario. Vedere gli schemi riportati di seguito per i punti di fissaggio di sicurezza.

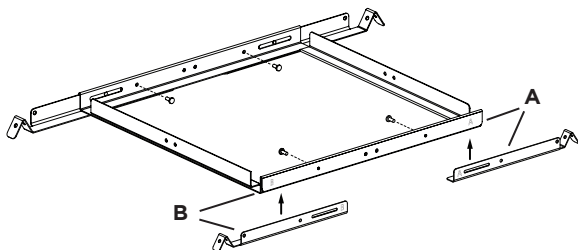
Attenersi alle istruzioni del produttore per qualsiasi meccanismo di fissaggio secondario utilizzato.



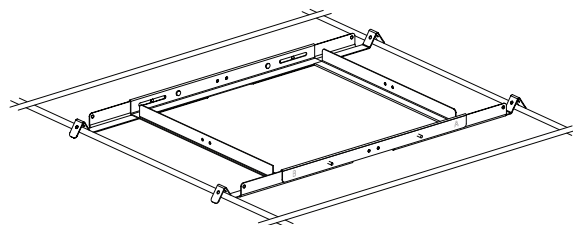
Assemblaggio del tile bridge

1. Collegare le quattro barre alla struttura centrale con quattro delle viti incluse. Inserire le viti dall'interno del tile bridge. Le barre e la struttura centrale sono etichettate con A e B per identificare i punti di fissaggio corretti.
2. Regolare la lunghezza delle barre del tile bridge in modo che aderiscano saldamente alla griglia o al rivestimento del soffitto.
Nota: *il tile bridge supporta una spaziatura compresa tra 56 e 66 centimetri.*
3. Serrare le quattro viti che fissano le barre del tile bridge alla struttura centrale.
4. Facoltativo: fissare staffe a L al tile bridge per creare un punto di collegamento aggiuntivo per un filo di frenatura, un cavo di sicurezza o un tirante filettato. Per ulteriori informazioni, vedere **Uso di un cavo di sicurezza** a pagina 33.
Nota: *posizionare le staffe a L in modo da non impedire agli elementi di ancoraggio sul diffusore di innestarsi completamente sul tile bridge.*

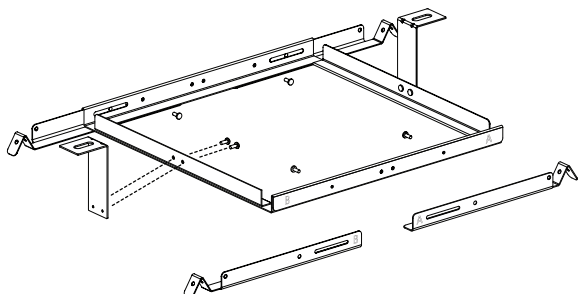
1



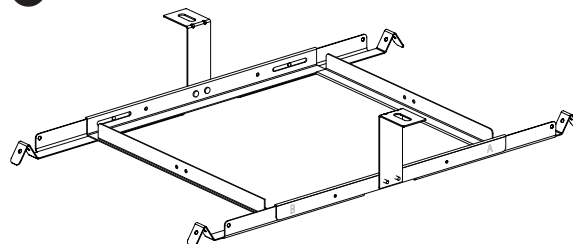
2



3



4

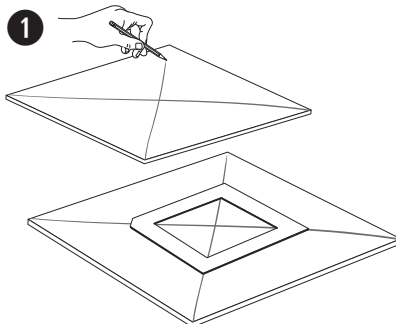


Preparazione del pannello a soffitto

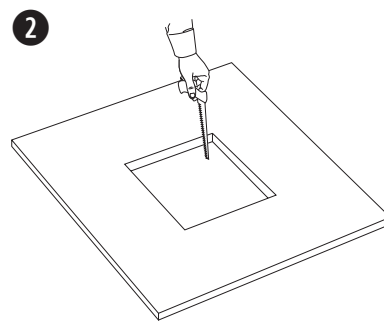
Taglio del pannello a soffitto

1. Rimuovere il pannello ed utilizzare il modello per tracciare il foro per il diffusore sul pannello stesso. Per centrare il modello rispetto al pannello, tracciare una X collegando gli angoli in diagonale e centrare il modello sul punto di intersezione.
2. Effettuare un foro nel pannello.

1



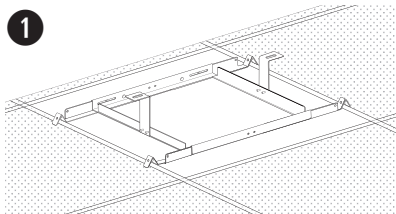
2



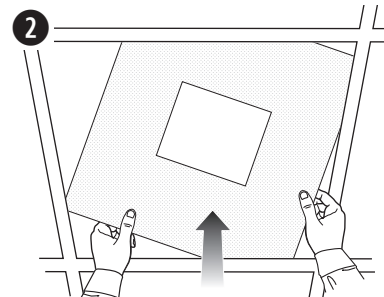
Installazione del tile bridge

1. Posizionare il tile bridge assemblato attraverso la griglia del soffitto. Se necessario, regolare le barre del tile bridge in modo che poggino sulla griglia del soffitto.
2. Rimontare il pannello sul soffitto.

1



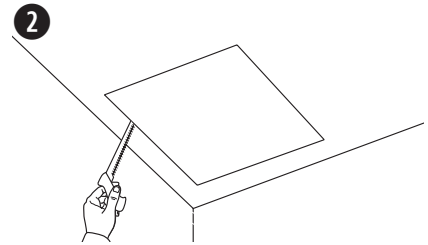
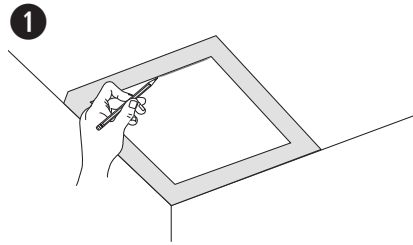
2



Preparazione del soffitto in materiale rigido (struttura esistente)

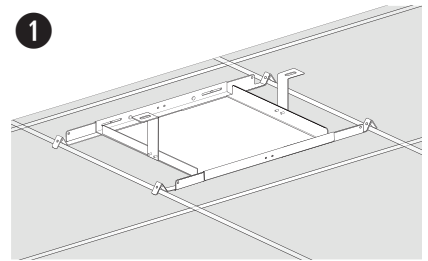
Taglio del soffitto

1. Utilizzare la dima per tracciare un foro sul soffitto.
2. Tagliare un foro nel soffitto.



Installazione del tile bridge

1. Inserire il tile bridge assemblato attraverso il foro e posizionarlo trasversalmente rispetto alla griglia o al rivestimento del soffitto. Se necessario, regolare le barre del tile bridge in modo che poggino sulla griglia o sul rivestimento del soffitto.



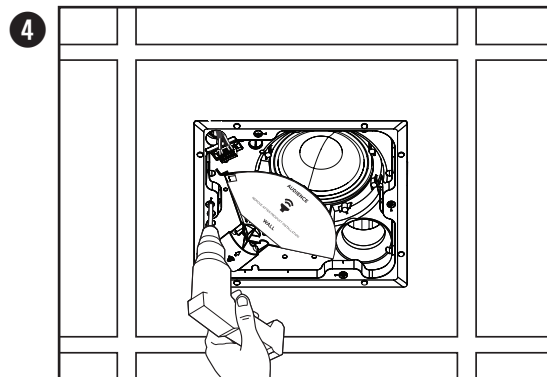
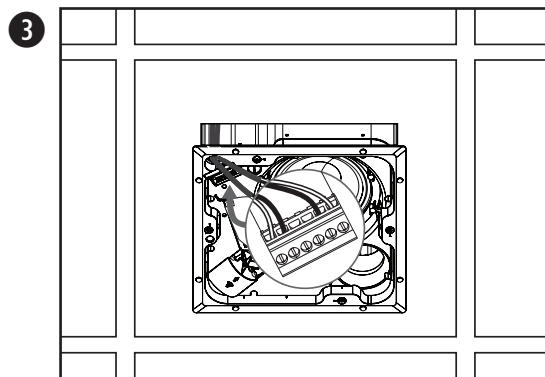
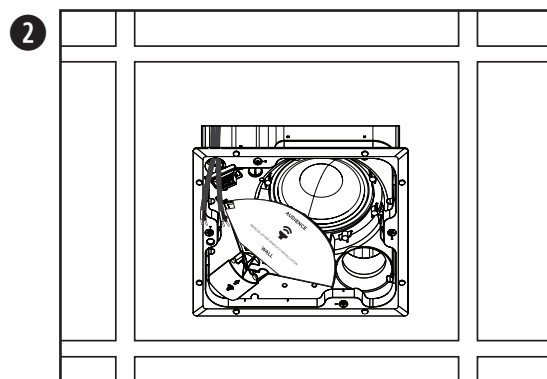
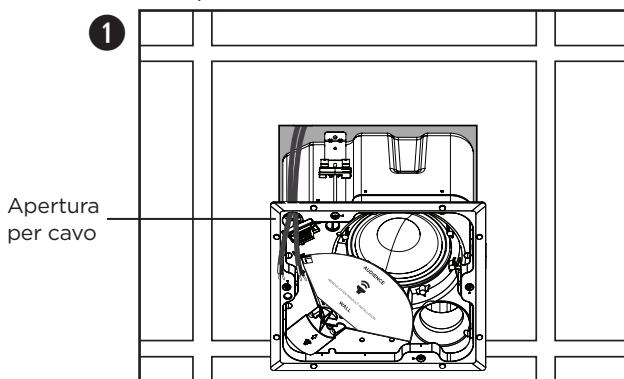
Montaggio del diffusore

1. Far passare il cavo audio attraverso l'apposita apertura (accanto al terminale di cablaggio).
2. Far passare il diffusore attraverso il foro ed inserirlo nel tile bridge. Verificare che gli ancoraggi siano innestati sul tile bridge prima di allentare la presa sul diffusore.
3. Rimuovere il connettore, cablarlo e reinserirlo nel diffusore. Per informazioni sul cablaggio, vedere **Cablaggio del diffusore** a pag. 32.
4. Serrare le viti del braccio di ancoraggio per fissare il diffusore. Se si utilizza un avvitatore elettrico, impostare un basso valore di coppia.



ATTENZIONE: un serraggio eccessivo delle viti può danneggiare il punto di aggancio dell'elemento di ancoraggio o il soffitto, con conseguenti rischi di caduta.

5. Eliminare la protezione PhaseGuide.

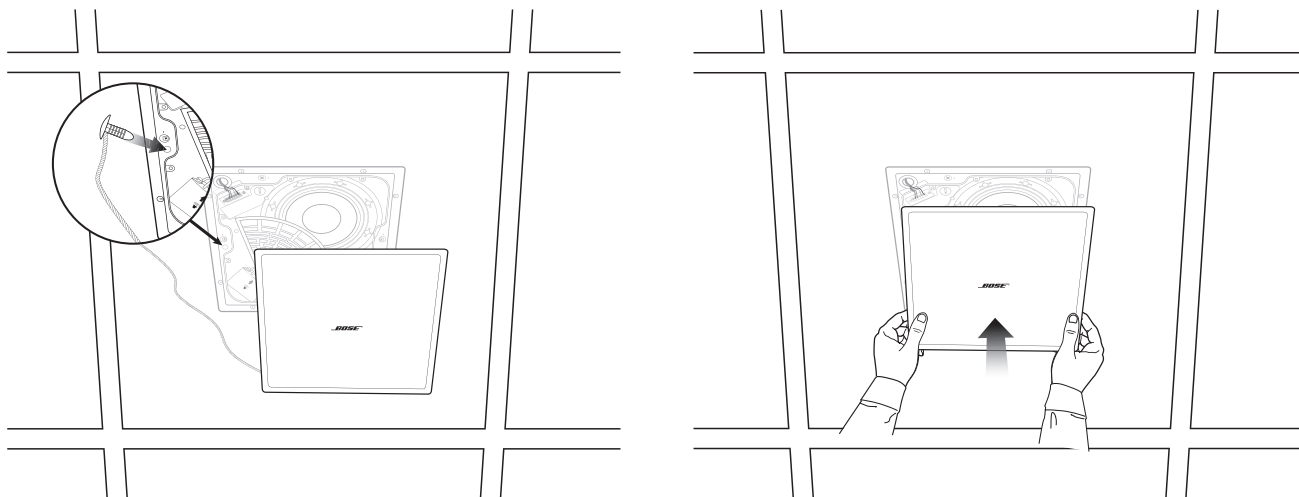


Installazione a soffitto in materiale rigido con rough-in pan (nuova costruzione)

Per informazioni sull'installazione del rough-in pan, vedere la guida all'installazione del rough-in pan EdgeMax sul sito **PRO.BOSE.COM**. Una volta installato il rough-in pan, vedere **Montaggio del diffusore** a pag. 35.

Fissaggio della griglia

Inserire il perno per cordino di sicurezza nel foro del diffusore. Con entrambe le mani, posizionare la griglia contro il diffusore. La griglia si aggancia magneticamente al diffusore.



Conformità alle norme di sicurezza

I diffusori Bose EdgeMax EM90 ed EM180 hanno superato i test ai quali sono stati sottoposti, risultando conformi alle specifiche e alle applicazioni indicate di seguito:

Conformi alle specifiche ANSI/UL 1480A-2016, Diffusori per utilizzo professionale in ambito commerciale e della sicurezza

Utilizzo generico - UL Categoria UEAY, Numero file S 5591 Numero controllo 3N89

Adatti per l'uso in ambienti interni caratterizzati da umidità in base alla certificazione UL 1480A; consultare comunque le avvertenze e le precauzioni a pagina 2 di questa guida all'installazione per rilevanti limitazioni d'installazione.

UL-2043, 2013, Test antincendio e rilascio di fumo visibile per prodotti discreti e relativi accessori installati in controsoffitti sigillati. Adatti per l'uso in controsoffitti sigillati.

Adatti per l'installazione mediante metodi di cablaggio Classe 1, Classe 2 o Classe 3 in conformità a NFPA 70, *National Electric Code*, 2017, Articolo 640

NFPA 70, National Electric Code, 2017, Articolo 300-22(c).

NFPA 90-A, 2015, Installazione di sistemi di condizionamento dell'aria e ventilazione, Paragrafo 4.3.11.2.6.5

I diffusori EdgeMax EM90 ed EM180 sono stati progettati in conformità ai requisiti previsti dalle seguenti normative europee relativamente ai sistemi combinati:

Testati in base a IEC 60268-5, 2007

Diametro dei cablaggi

I diffusori EdgeMax EM90 ed EM180 sono concepiti esclusivamente per l'impiego con cavi di dimensioni comprese tra 18 AWG (0,8 mm²) e 14 AWG (2,5 mm²).

Lees alle veiligheidsinstructies en de gebruiksaanwijzing door en bewaar deze.

Dit product is uitsluitend bestemd voor installatie door professionele installateurs! Dit document is bedoeld om professionele installateurs essentiële installatie- en veiligheidsrichtlijnen te bieden voor dit product in standaardsystemen voor vaste installatie. Lees dit document en alle veiligheidswaarschuwingen voordat u een systeem probeert te installeren.

Probeer dit product niet zelf te repareren. Neem voor alle onderhoud contact op met een geautoriseerd servicecenter, installateur, technicus, dealer of distributeur. Om contact op te nemen met Bose Professional en voor informatie over de dichtstbijzijnde dealer of distributeur, gaat u naar **PRO.BOSE.COM**.

1. Lees deze instructies door.
2. Bewaar deze instructies.
3. Neem alle waarschuwingen in acht.
4. Volg alle instructies.
5. Gebruik dit product niet in de buurt van water.
6. Alleen met een droge doek reinigen.
7. Zorg dat u de ventilatieopeningen niet blokkeert. Installeer dit product volgens de instructies van de fabrikant.
8. Installeer het product niet in de buurt van warmtebronnen, zoals radiatoren, warmteroosters, kachels of andere apparaten (waaronder versterkers) die warmte produceren.
9. Gebruik uitsluitend aansluitonderdelen/accessoires die door de fabrikant worden gespecificeerd.


WAARSCHUWINGEN




Dit product bevat magnetisch materiaal. Raadpleeg uw arts om te vragen of dit invloed kan hebben op uw geïmplanteerde medische hulpmiddel.

- Alle Bose-producten moeten worden geïnstalleerd volgens de plaatselijke en landelijke voorschriften en industriënormen. Het is de verantwoordelijkheid van de installateur om ervoor te zorgen dat de installatie van de luidsprekers en het montagesysteem gebeurt met inachtneming van alle van toepassing zijnde voorschriften, waaronder plaatselijke bouwvoorschriften. Neem contact op met de juiste plaatselijke overheidsinstanties voordat u dit product installeert.
- Het onveilig monteren of ophangen van een zware last kan leiden tot beschadiging van uw eigendommen, ernstig letsel en overlijden. Het is de verantwoordelijkheid van de installateur om de betrouwbaarheid te evalueren van de gebruikte montagemethode. Alleen professionele installateurs met kennis van het juiste gereedschap en veilige montage technieken mogen luidsprekers hoog ophangen.
- Monteer het product niet op locaties waar condensatie kan optreden.
- Dit product is niet bedoeld voor installatie of gebruik in overdekte ruimten voor wateractiviteiten (waaronder overdekte zwembaden, overdekte waterparken, stoomruimten, sauna's, bubbelbadkamers en overdekte ijsbanen).
- Niet bevestigen aan oppervlakken die niet sterk zijn of die mogelijke risico's opleveren, bijvoorbeeld vanwege elektrische bedrading of waterleidingen. Als u niet zeker weet hoe de beugel moet worden bevestigd, raadpleegt u een bevoegde installateur. Zorg ervoor dat de beugel wordt bevestigd volgens de plaatselijke bouwvoorschriften.
- Gebruik alleen de hardware en accessoires die zijn meegeleverd of gespecificeerd door Bose voor gebruik met de EdgeMax EM90 en EM180 luidsprekers. Raadpleeg voor informatie over compatibele accessoires het datasheet met technische gegevens op **PRO.BOSE.COM**.
- Er mogen geen wijzigingen aan dit product worden aangebracht door onbevoegden.
- Gebruik bij de installatie geen oplosmiddelen, smeermiddelen of reinigingsmiddelen op koolwaterstofbasis of op rond de luidspreker en bijbehorende montage materialen. Blootstelling aan dergelijke stoffen kan nadelige gevolgen hebben voor het kunststof materiaal, wat kan leiden tot scheuren en een risico op vallen.
- Reinig de luidsprekers alleen met een droge doek. Stel de luidsprekers niet bloot aan zeep, reinigingsmiddel, minerale olie, alcohol of andere reinigingsmiddelen of chemicaliën.
- De grille is voorzien van een veiligheidspin voor eenmalig gebruik.


Productvermogen:

Ingangsspanning: 70 V/100 V

Impedantie: 8 Ω, 125 W

Stroomsterkte: (70 V): 2,5 W, 5 W, 10 W, 20 W, 40 W, 80 W; (100 V): 5 W, 10 W, 20 W, 40 W, 80 W

Wettelijk verplichte informatie

 Dit product voldoet aan alle vereisten van de van toepassing zijnde EU-richtlijnen. De volledige conformiteitsverklaring kunt u vinden op: www.Bose.com/compliance.



Dit symbool betekent dat het product niet mag worden weggegooid als huishoudelijk afval en naar een geschikt inzamelpunt voor recycling moet worden gebracht. Het op de juiste wijze afvoeren en recyclen helpt natuurlijke hulpbronnen, de menselijke gezondheid en het milieu te beschermen. Voor meer informatie over het afvoeren en recyclen van dit product neemt u contact op met de gemeente waar u woont, de afvalverwerkingsdienst of de winkel waar u dit product hebt gekocht.

Fabricagedatum: Het achtste cijfer in het serienummer geeft het fabricagejaar aan. '7' is 2007 of 2017.

Importeur in China: Bose Electronics (Shanghai) Company Limited, Part C, Plan 9, No. 353 North Riyang Road, China (Shanghai) Pilot Free Trade Zone

Importeur in de EU: Bose Products B.V., Gorslaan 60, 1441 RG Purmerend, Nederland

Importeur in Mexico: Bose de México, S. de R.L. de C.V., Paseo de las Palmas 405-204, Lomas de Chapultepec, 11000 México, D.F. Gegevens importeur en service-informatie: +52 55 52 02 35 45

Importeur in Taiwan: Bose Taiwan Branch, 9F-A1, No.10, Section 3, Minsheng East Road, Taipei City 104, Taiwan. Telefoonnummer: +886 2 25 14 76 76

Bose en EdgeMax zijn handelsmerken van Bose Corporation.

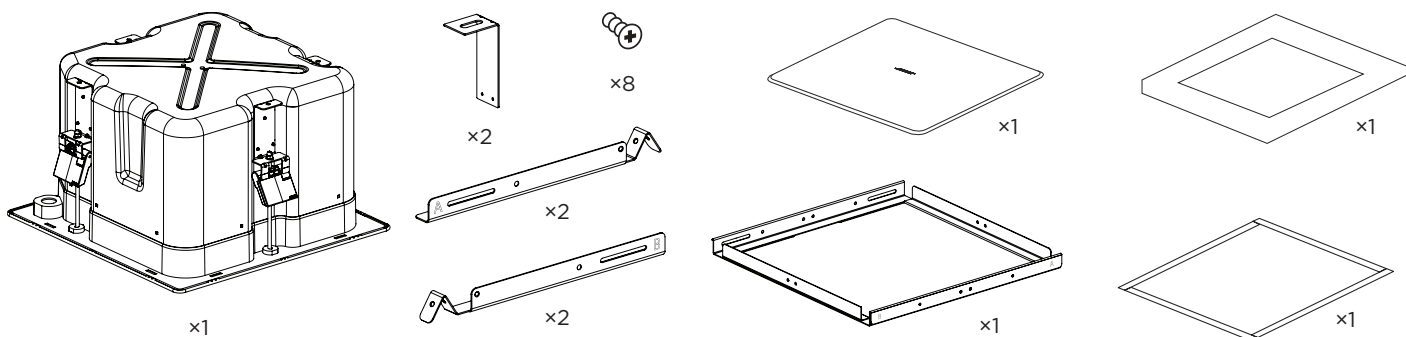
Hoofdkantoor Bose Corporation: 1 877 230 5639

©2019 Bose Corporation. Niets in deze uitgave mag worden gereproduceerd, gewijzigd, gedistribueerd of op andere wijze worden gebruikt zonder voorafgaande schriftelijke toestemming.

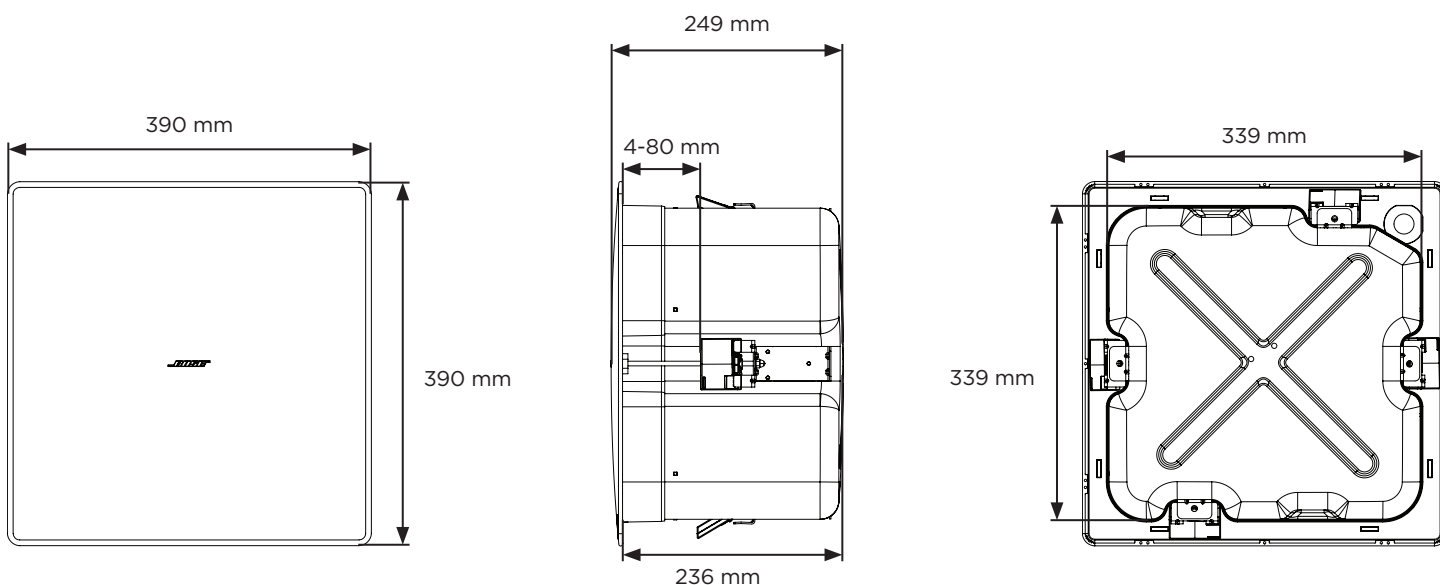
Garantie-informatie

Dit product wordt gedekt door een beperkte garantie.
Ga naar **PRO.BOSE.COM** voor garantie-informatie.

Inhoud van de doos



Afmetingen van het product



Technische specificaties

Raadpleeg voor aanvullende specificaties het datasheet met technische gegevens voor de EdgeMax EM90 en EM180 op PRO.BOSE.COM.

Fysiek	
Afmetingen van het product	Grille: 390 × 390 mm
	Behuizing: 339 × 339 mm
	Diepte achtermantel: 236 mm
Uit te snijden gat	345 × 345 mm
Maximale dikte plafond	80 mm
Nettogewicht, luidspreker met grille	10,1 kg
Nettogewicht tegelbrug	1,4 kg
Verzendgewicht	12,5 kg

Belangrijke installatie-informatie



Het is de verantwoordelijkheid van de installateur om ervoor te zorgen dat de installatie van de luidsprekers en het montagesysteem gebeurt met inachtneming van alle van toepassing zijnde voorschriften, waaronder plaatselijke bouwvoorschriften. Neem contact op met de juiste plaatselijke overheidsinstanties voordat u dit product installeert.

Het is de verantwoordelijkheid van de installateur om de luidspreker veilig te installeren. Onjuiste installatie van de luidspreker kan leiden tot schade, letsel of een dodelijk ongeval.

Monteer het product niet op locaties waar condensatie kan optreden.



Dit product is niet bedoeld voor installatie of gebruik in overdekte ruimten voor wateractiviteiten (waaronder overdekte zwembaden, overdekte waterparken, stoomruimten, sauna's, bubbelbadkamers en overdekte ijsbanen).

Niet bevestigen aan oppervlakken die niet sterk zijn of die mogelijke risico's opleveren, bijvoorbeeld vanwege elektrische bedrading of waterleidingen. Als u niet zeker weet hoe de beugel moet worden bevestigd, raadpleegt u een bevoegde installateur. Zorg ervoor dat de beugel wordt bevestigd volgens de plaatselijke bouwvoorschriften.

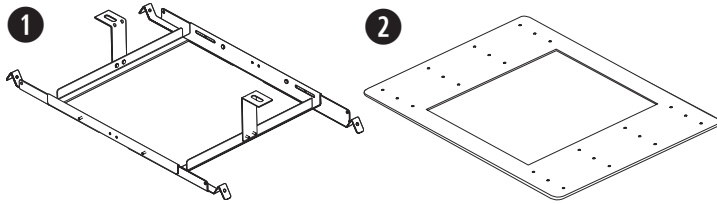


Gebruik bij de installatie geen oplosmiddelen, smeermiddelen of reinigingsmiddelen op koolwaterstofbasis op of rond de luidspreker en bijbehorende montagematerialen. Blootstelling aan dergelijke stoffen kan nadelige gevolgen hebben voor het kunststof materiaal, wat kan leiden tot scheuren en een risico op vallen.

Installatieopties

Installatieopties en -accessoires

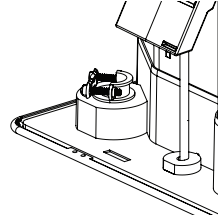
- 1 Verstelbare tegelbrug (meegeleverd)
- 2 Inbouwplaat (optioneel)



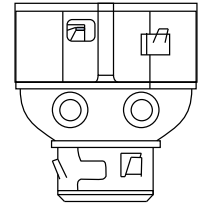
Geleiding

Gebruik de flexibele metalen geleider in combinatie met een leidinghulpstuk van 9,5 mm of een dubbele (duplex) connector van 9,5 mm.

Opmerking: Leidinghulpstukken zijn niet meegeleverd.



9,5 mm enkel in



9,5 mm duplex in/lus

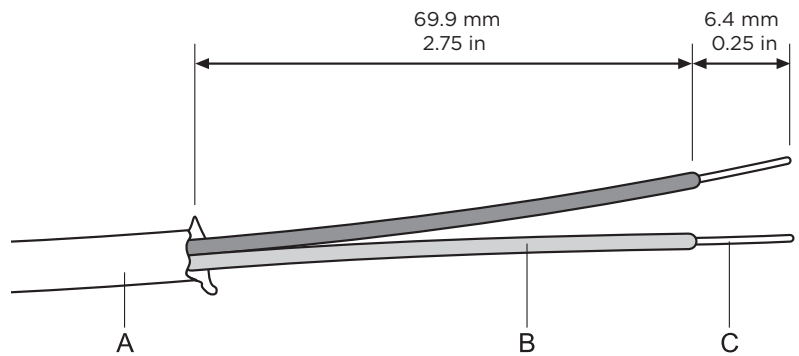
De luidspreker bekabelen

Bij gebruik van ingangconnectors voor rechtstreekse aansluiting

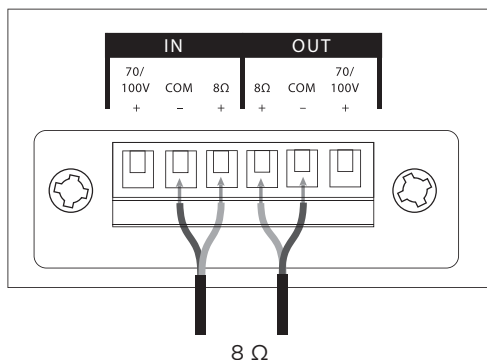
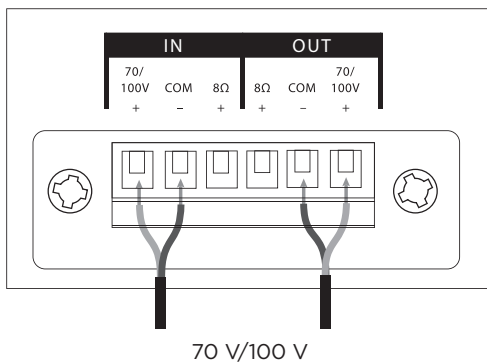
Vereiste diameter voor bekabeling van luidsprekerseries naar luidsprekeraansluitingen: Gebruik uitsluitend bekabeling met een dikte van 18 AWG (0,8 mm²) tot 14 AWG (2,5 mm²).

De bekabeling voorbereiden

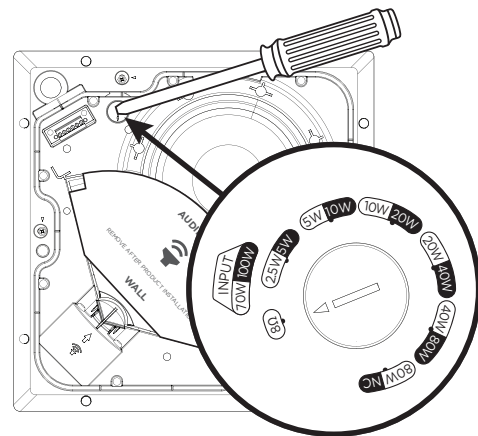
Haal voldoende van de buitenste beschermlaag (A) en de kabelisolatie (B) weg om de kale kabel (C) aan de aansluitingen te bevestigen.



Aansluitdiagrammen



Luidsprekerinstellingen



70 V						8 Ω
2,5 W*	5 W	10 W	20 W	40 W	80 W	
5 W*	10 W	20 W	40 W	80 W	NC**	
100 V						

* Fabrieksinstelling

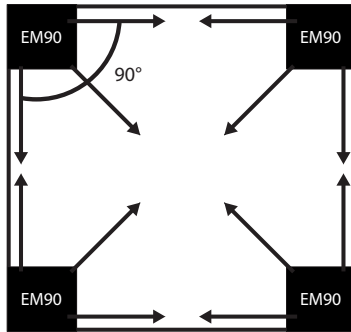
** NC: No Connection (geen aansluiting; niet gebruiken)

Transformatorinstelling

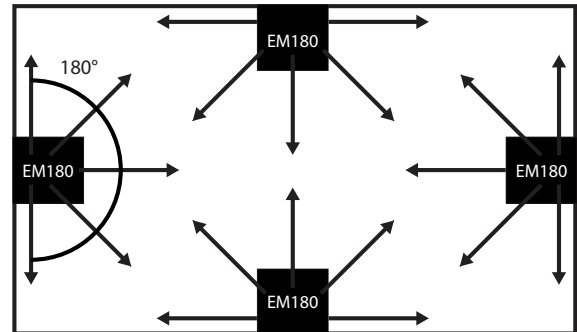
Draai om de transformator in te stellen. Gebruik een schroevendraaier met platte kop.

De installatie voorbereiden

Installatie van de EM90 in een hoek. Raadpleeg het bovenaanzicht hieronder.



Installatie van de EM180 op een muur. Raadpleeg het bovenaanzicht hieronder.



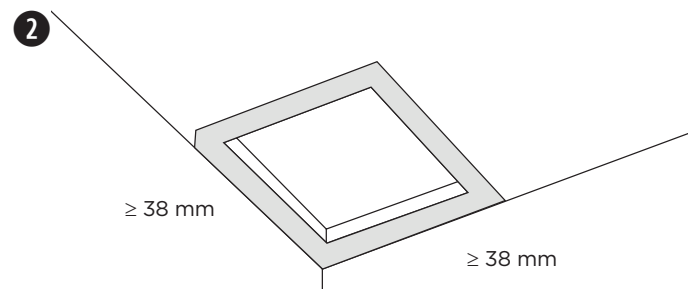
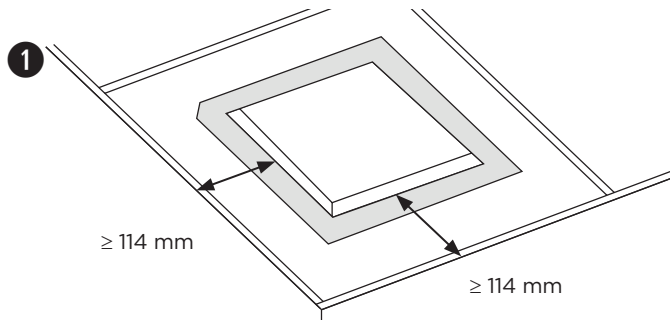
Opmerking: Zorg dat de fasegeleiderbescherming op zijn plaats blijft totdat de installatie gereed is.

Plaatsing luidspreker

Laat voldoende ruimte over voor de uitstekende grille wanneer u de luidspreker vlak bij een muur-plafond bevestigingsstuk installeert. De grille moet strak tegen het plafond passen, zodat de magneten volledig contact kunnen maken.

Bijgesloten sjabloon zorgt dat het gat voor de luidspreker de juiste afmetingen en locatie krijgt.

1. Voor EM90 of EM180 in plafondtegel: Plaats de luidsprekeropening minstens 114 mm van beide muren om ruimte voor de tegelbrug over te laten.
2. Voor EM90 of EM180 in hard plafond: Plaats het kartonnen sjabloon strak tegen de hoek (EM90) of muur (EM180). Zo hebt u vanaf beide muren minstens 38 mm ruimte voor de grille.



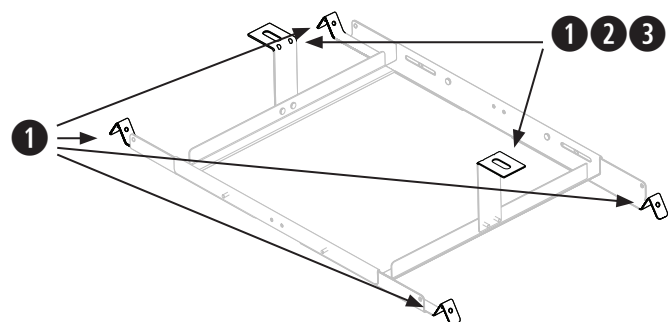
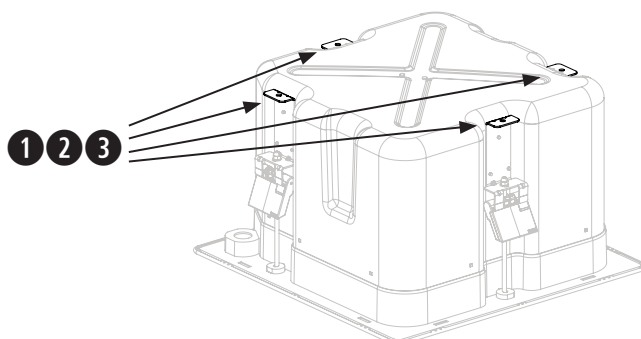
Opmerking: Installatie in de nabijheid van kookoppervlakken waar de luidspreker direct kan worden blootgesteld aan bakolie, stoom, damp of hoge temperaturen (zoals in professionele keukens) kan de prestaties of betrouwbaarheid van de luidspreker verminderen.

Een veiligheidskabel gebruiken

In sommige regio's bent u volgens de bouwvoorschriften verplicht luidsprekers dubbel gezeerd te bevestigen voor extra veiligheid. De gekozen locatie, montagewijze en gebruikte montagemiddelen moeten voldoen aan de geldende bouwvoorschriften en -verordeningen.

Bose raadt aan (1) een veiligheidsdraad, (2) veiligheidskabel of (3) draadeinde te gebruiken als secundaire bevestigingsmethode. Raadpleeg de onderstaande schema's voor bevestigingspunten.

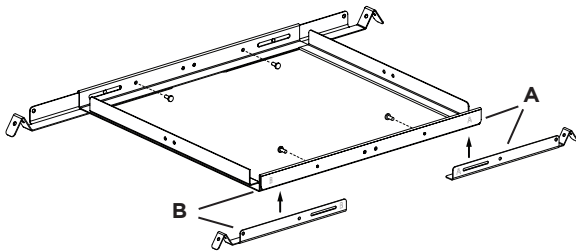
Volg de instructies van de fabrikant voor eventueel al ingebouwde secundaire beveiligingsmechanismen.



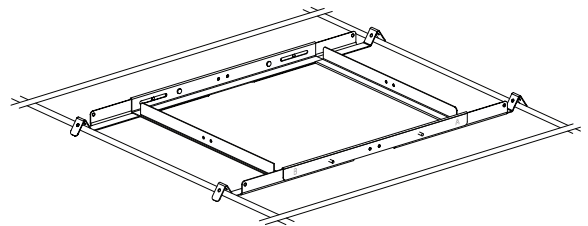
De tegelbrug in elkaar zetten

1. Bevestig de vier rails aan het middenframe met de vier meegeleverde schroeven. Steek de schroeven van binnen uit in de tegelbrug. De rails en het middenframe hebben de aanduidingen A en B om de juiste bevestigingspunten te kunnen identificeren.
2. Stel de lengte van de tegelbrugrails zo af dat ze stevig op het plafondraaster of belegstuk rusten.
Opmerking: De tegelbrug kan 56-66 centimeter overbruggen.
3. Draai de vier schroeven vast die de rails van de tegelbrug aan het middenframe bevestigen.
4. Optioneel: Bevestig L-beugels aan de tegelbrug als extra bevestigingspunt voor een veiligheidsdraad, veiligheidskabel of draadeinde. Raadpleeg voor meer informatie **Een veiligheidskabel gebruiken** op pagina 40.
Opmerking: Plaats de L-beugels zo dat de ankers op de luidspreker ongehinderd in de tegelbrug kunnen grijpen.

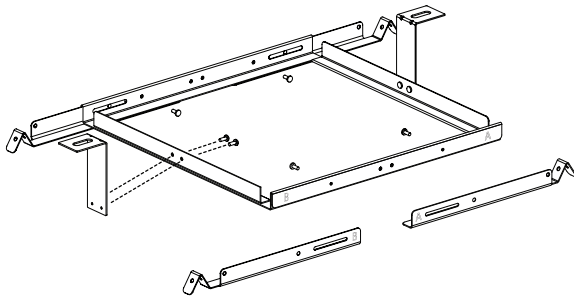
1



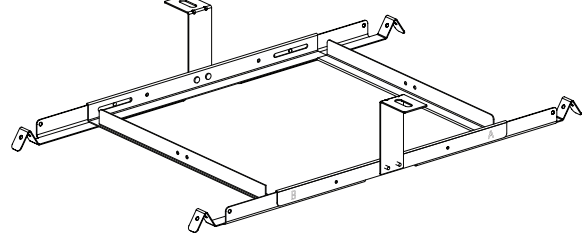
2



3



4

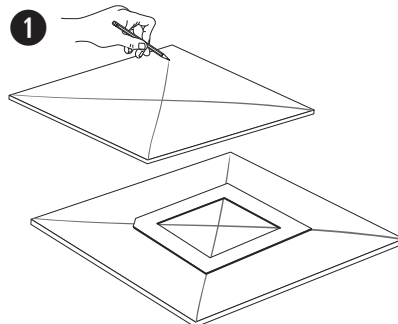


De akoestische plafondtegels voorbereiden

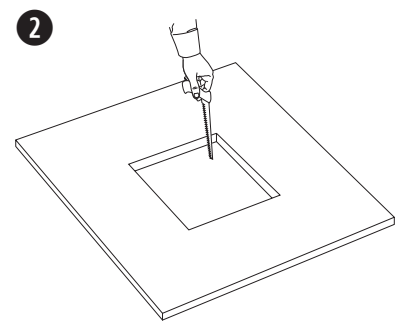
Een opening in de plafondtegels zagen

1. Verwijder de tegel en teken met behulp van het sjabloon een opening op de tegel. Teken een 'X' diagonaal vanuit de hoeken van de tegel, zodat u het sjabloon kunt centreren op het snijpunt.
2. Zaag een opening in de tegel.

1



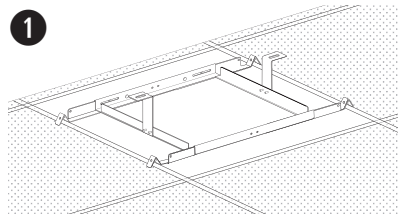
2



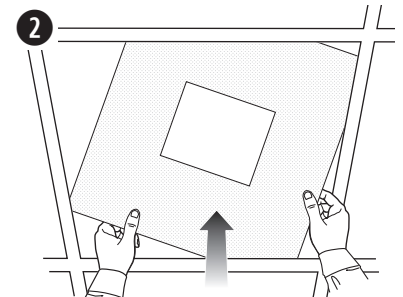
De tegelbrug plaatsen

1. Plaats de gemonteerde tegelbrug op het plafondraaster. Verstel indien nodig de tegelbrug zo dat de rails op het plafondraaster rusten.
2. Plaats de tegel terug in het plafond.

1



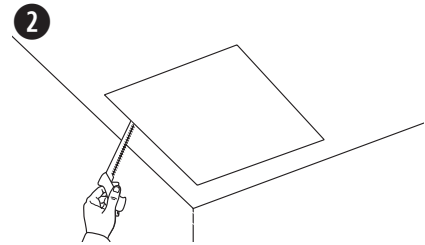
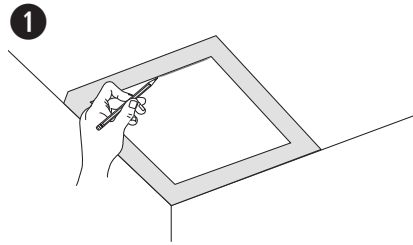
2



Een hard plafond voorbereiden (bestaande constructie)

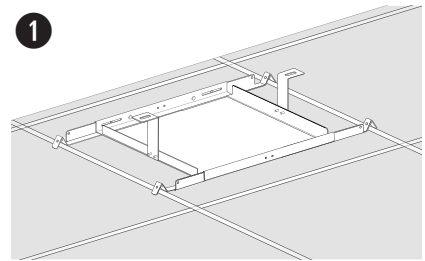
Een opening in het plafond zagen

1. Teken met behulp van het sjabloon een opening af in het plafond.
2. Zaag een opening in het plafond.



De tegelbrug plaatsen

1. Steek de gemonteerde tegelbrug door de opening en plaats de tegelbrug op het plafondraster of belegstuk. Verstel indien nodig de tegelbrug zo dat de rails op het plafondraster of belegstuk rusten.



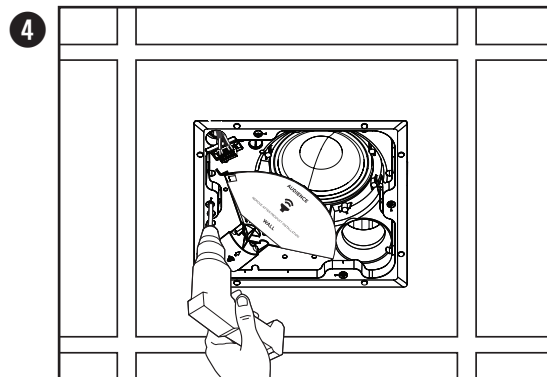
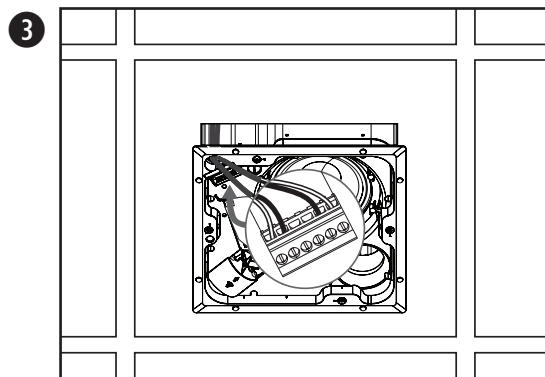
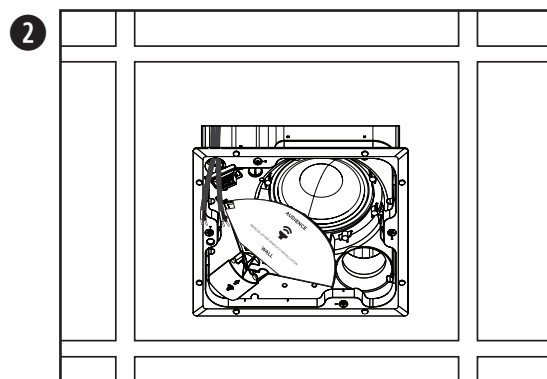
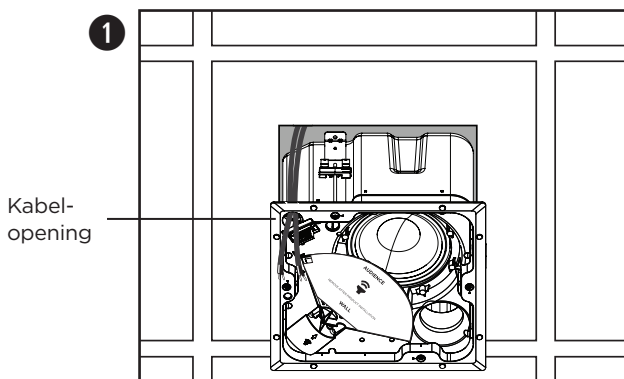
De luidspreker bevestigen

1. Haal de audiokabel door de kabelopening (naast de kabelaansluiting).
2. Steek de luidspreker door de opening en de tegelbrug. Zorg ervoor dat de ankers in de tegelbrug grijpen voordat u de luidspreker loslaat.
3. Verwijder de connector, sluit de bekabeling aan op de connector en plaats de connector weer terug in de luidspreker. Raadpleeg voor bekabelingsinformatie **De luidspreker bekabelen** op pagina 39.
4. Draai de ankerarmschroeven vast om de luidspreker te bevestigen. Stel bij gebruik van een elektrische boor-/schroefmachine het apparaat in op een laag koppel.



WAARSCHUWING: Wanneer u de schroeven te vast draait, kan het ankerbevestigingspunt of het plafond beschadigen, wat kan leiden tot een risico op vallen.

5. Verwijder de fasegeleiderbescherming.

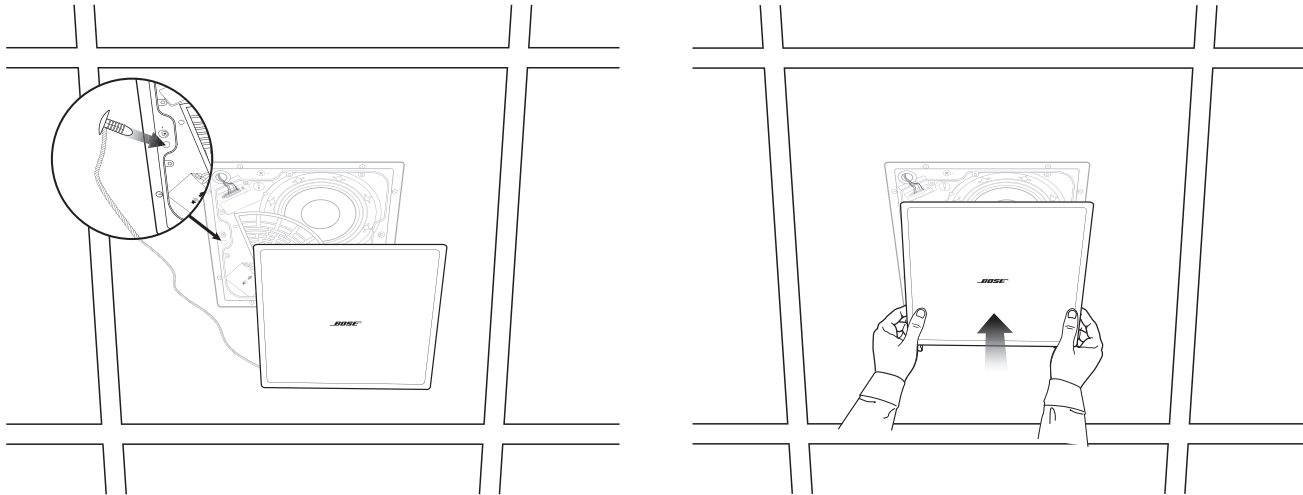


Installatie in een hard plafond met een inbouwplaat (nieuwbouw)

Raadpleeg voor informatie over het installeren van de inbouwplaat de installatiehandleiding voor de EdgeMax-inbouwplaat op PRO.BOSE.COM. Raadpleeg na installatie van de inbouwplaat **De luidspreker bevestigen** op pagina 42.

De grille plaatsen

Steek de veiligheidspin in het gat in de luidspreker. Plaats met beide handen de grille tegen de luidspreker. De grille wordt magnetisch aan de luidspreker bevestigd.



Veiligheid en naleving van regelgeving

De Bose EdgeMax EM90 en EM180 luidsprekers zijn getest en voldoen voor onderstaande specificaties en toepassingen:

ANSI/UL 1480A-2016, Speakers for Commercial & Safety Professional Use

General-Purpose Use - UL Category UEAY, File Number S 5591 Control Number 3N89

Geschikt voor gebruik op vochtige binnenlocaties volgens UL 1480A, maar raadpleeg de waarschuwingen op pagina 2 van deze installatiehandleiding voor belangrijke beperkingen met betrekking tot de installatie

UL-2043, 2013, Fire Test and Visible Smoke Release for Discrete Products and their Accessories Installed in Air Handling Spaces, geschikt voor gebruik in luchtbehandelingsruimten.

Geschikt voor installatie middels bekabelingsmethoden Klasse 1, Klasse 2 of Klasse 3 volgens NFPA 70, *National Electric Code*, 2017, artikel 640

NFPA 70, National Electric Code, 2017, artikel 300-22(c)

NFPA 90-A, 2015, Installation of Air Conditioning and Ventilation Systems, Paragraph 4.3.11.2.6.5

De EdgeMax EM90 en EM180 luidsprekers zijn ontworpen volgens de vereisten die zijn vastgelegd in onderstaande specificatie van Europese regelgeving voor combinatiesystemen:

Getest volgens IEC 60268-5, 2007

Bekabelingsdiameter

De EdgeMax EM90 en EM180 luidsprekers zijn uitsluitend ontworpen voor bedrading van 18 AWG (0,8 mm²) tot 14 AWG (2,5 mm²).

Les og ta vare på alle sikkerhets- og bruksinstruksjoner.



Dette produktet skal bare monteres av profesjonelle montører! Formålet med dette dokumentet er å gi profesjonelle montører grunnleggende monterings- og sikkerhetsveiledning for dette produktet i typiske fastmonterings-systemer.


Les dette dokumentet og alle sikkerhetsadvarsler før du starter monteringen.

Ikke prøv å utføre vedlikehold på dette produktet selv. Henvis alt vedlikehold til autoriserte servicesentre, montører, teknikere, forhandlere eller distributører. Hvis du vil kontakte Bose Professional eller finne en forhandler eller distributør i nærheten, gå du til

PRO.BOSE.COM.

1. Les disse instruksjonene.
2. Ta vare på disse instruksjonene.
3. Ta hensyn til alle advarsler.
4. Følg alle instruksjoner.
5. Ikke bruk dette apparatet i nærheten av vann.
6. Rengjør bare med en ren klut.
7. Ikke blokker ventilasjonsåpninger. Plasser i henhold til produsentens instruksjoner.
8. Ikke plasser produktet nær varmekilder som radiatorer, ventilasjonsgitter, ovner eller andre apparater (inkludert forsterkere) som produserer varme.
9. Bare bruk fester/tilbehør som er angitt av produsenten.


ADVARSLER/FORHOLDSREGLER




Dette produktet inneholder magnetisk materiale. Kontakt lege hvis du vil finne ut om dette kan påvirke implantert medisinsk utstyr.

- Alle Bose-produkter må monteres i henhold til bransjeforskrifter og lokale og nasjonale forskrifter. Det er montørens ansvar å sikre at monteringen av høyttalere og monterings-systemet utføres i henhold til alle gjeldende forskrifter, inkludert lokale byggeforskrifter og bestemmelser. Kontakt de lokale myndighetene som har domsmyndighet før du monterer dette produktet.
- Utrygg montering eller opphenging av tunge gjenstander kan forårsake alvorlig skade eller død, samt skade på eiendom. Det er montørens ansvar å vurdere påliteligheten til alle monteringsmetodene de bruker. Takmonterte høyttalere skal bare monteres av profesjonelle montører med kunnskap om det riktige utstyret og trygge monterings-teknikker.
- Produktet må ikke monteres på steder hvor det kan oppstå kondens.
- Dette produktet er ikke ment for montering eller bruk i innendørs vannanlegg (inkludert, men ikke begrenset til, innendørs basseng, innendørs badeland, rom med badestamp, badstuer, damprom og innendørs skøytebaner).
- Må ikke monteres på overflater som ikke er solide, eller som har skjulte færemomenter bak seg, for eksempel elektriske kabler eller rør. Kontakt en kvalifisert montør hvis du er usikker på hvordan braketten skal monteres. Sørg for at braketten er montert i henhold til lokale byggeforskrifter.
- Bruk bare utstyret og tilbehøret som følger med, eller som er spesifisert av Bose for bruk med EdgeMax EM90- og EM180-høyttalere. Hvis du vil ha informasjon om kompatibelt tilbehør, kan du se produktets tekniske dataark på **PRO.BOSE.COM**.
- Ikke foreta uautoriserte endringer på dette produktet.
- Ikke bruk hydrokarbonbaserte oppløsningsmidler, smøremidler eller rengjøringsmidler på eller rundt denne høyttaleren og tilhørende monteringsutstyr under montering. Slike midler kan forårsake at plastmaterialet brytes ned, som igjen kan forårsake sprekker og at høyttaleren faller ned.
- Bruk bare en tørr klut når du skal rengjøre høyttalere. Ikke bruk såpe, vaskemiddel, mineralolje, alkohol eller andre rengjøringsmidler eller kjemikalier når du rengjør høyttaleren.
- Grillen er utstyrt med en sikkerhetsfestesnor som er designet for bruk én gang.

Produktklassifisering:

Inngangsspenning: 70/100 V

Impedans: 8 Ω, 125 W

Strøm eller effekt: (70 V): 2,5 W, 5 W, 10 W, 20 W, 40 W, 80 W, (100 V): 5 W, 10 W, 20 W, 40 W, 80 W

Informasjon om forskrifter

Produktet overholder alle kravene i gjeldende EU-direktiver. Du finner den fullstendige samsvarserklæringen på: www.Bose.com/compliance.



Dette symbolet betyr at produktet ikke må kasseres som husholdningsavfall, og at det skal leveres til en passende innsamlingsanlegg for gjenvinning. Riktig håndtering og gjenvinning bidrar til å beskytte naturressurser, helse og miljø. Hvis du vil ha mer informasjon om avfallshåndtering og resirkulering av dette produktet, kontakter du de lokale myndighetene, avfallsorganisasjonen eller butikken hvor du kjøpte dette produktet.

Produksjonsdato: Det åttende tallet i serienummeret viser produksjonsåret: 7 er 2007 eller 2017.

Importør i Kina: Bose Electronics (Shanghai) Company Limited, Part C, Plant 9, No. 353 North Ruying Road, Kina (Shanghai) pilotfri handelssone

Importør i EU: Bose Products B.V., Gorslaan 60, 1441 RG Purmerend, Nederland

Importør i Mexico: Bose de México, S. de R.L. de C.V., Paseo de las Palmas 405-204, Lomas de Chapultepec, 11000 México, D.F. For informasjon om importør og service: +5255 (5202) 3545

Importør i Taiwan: Bose Taiwan Branch, 9F-A1, No. 10, Section 3, Minsheng East Road, Taipei City 104, Taiwan. Telefonnummer: +886-2-2514 7676

Bose og EdgeMax er varemerker som tilhører Bose Corporation.

Hovedkontoret til Bose Corporation: 1-877-230-5639

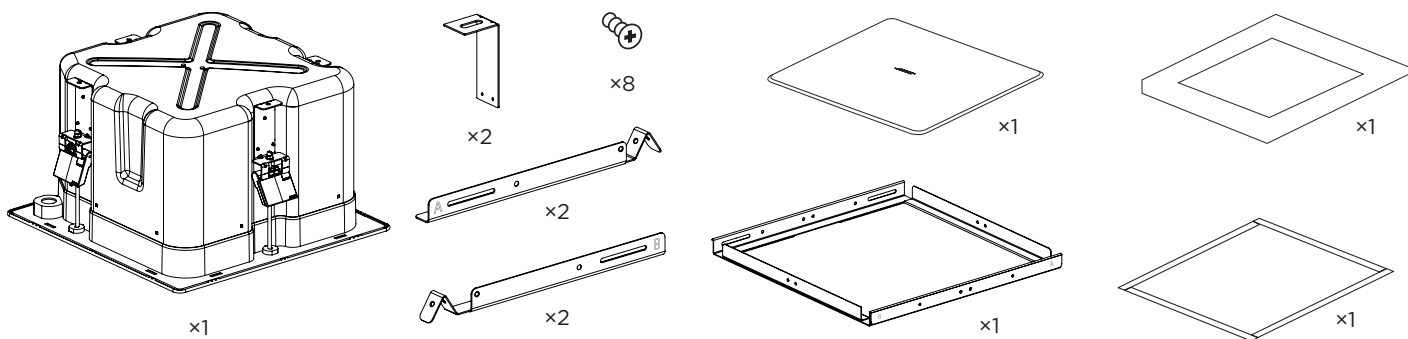
©2019 Bose Corporation. Ingen del av dette arbeidet kan bli reproduisert, endret, distribuert eller på annen måte brukt uten skriftlig tillatelse på forhånd.

Garantiinformasjon

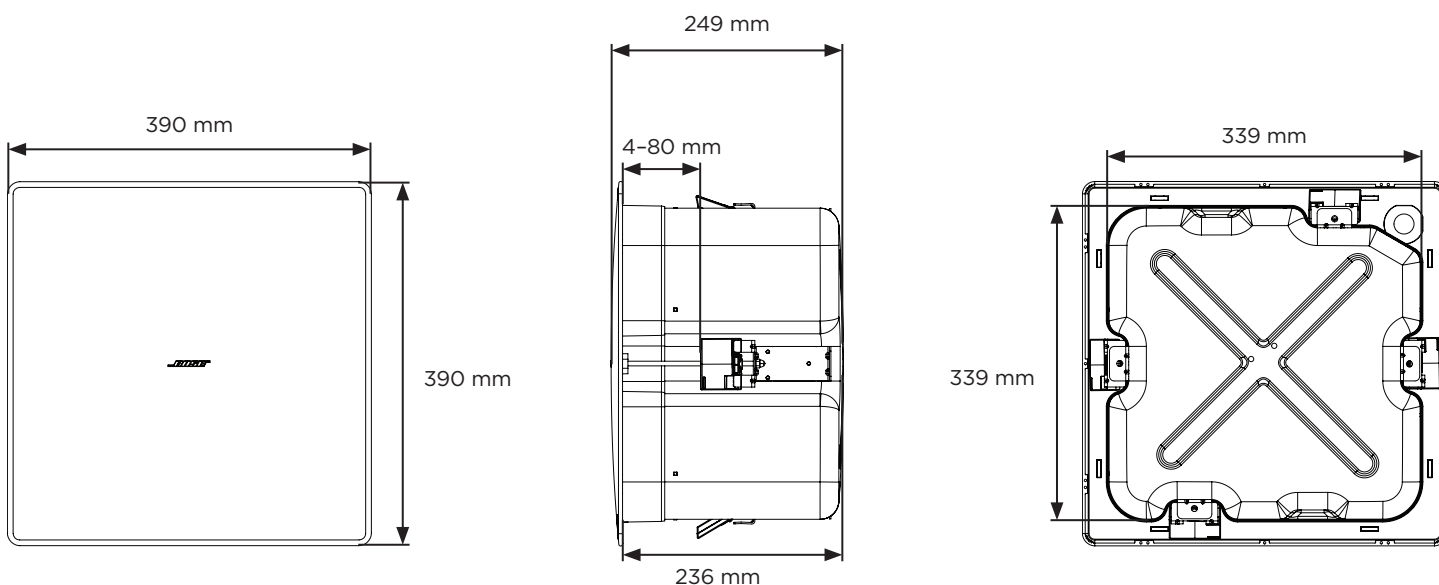
Dette produktet er dekket av en begrenset garanti.

Hvis du vil ha informasjon om garanti, gå du til **PRO.BOSE.COM**.

Innhold i pakken



Produktmål



Tekniske spesifikasjoner

Hvis du vil ha flere spesifikasjoner, kan du se det tekniske dataarket for EdgeMax EM90 og EM180 på PRO.BOSE.COM.

Fysisk	
Produktmål	Grill: 390 × 390 mm Kabinett: 339 × 339 mm Dybde på høyttalerbrønn: 236 mm
Utskåret hull	345 × 345 mm
Maksimal taktykkelse	80 mm
Nettovekt, høyttaler med grill	10,1 kg
Nettovekt, monteringsbro	1,4 kg
Forsendelsesvekt	12,5 kg

Viktig informasjon om montering



Det er montørens ansvar å sikre at monteringen av høyttalerne og monteringssystemet utføres i henhold til alle gjeldende forskrifter, inkludert lokale byggeforskrifter og bestemmelser. Kontakt de lokale myndighetene som har domsmyndighet før du monterer dette produktet.

Montøren har ansvaret for at høyttaleren er sikkert montert. Hvis høyttaleren ikke er montert på riktig måte, kan dette forårsake skade og død.

Produktet må ikke monteres på steder hvor det kan oppstå kondens.



Dette produktet er ikke ment for montering eller bruk i innendørs vannanlegg (inkludert, men ikke begrenset til, innendørs basseng, innendørs badeland, rom med badestamp, badstuer, damprom og innendørs skøytebaner).

Må ikke monteres på overflater som ikke er solide, eller som har skjulte faremomenter bak seg, for eksempel elektriske kabler eller rør. Kontakt en kvalifisert montør hvis du er usikker på hvordan braketten skal monteres. Sørg for at braketten er montert i henhold til lokale byggeforskrifter.

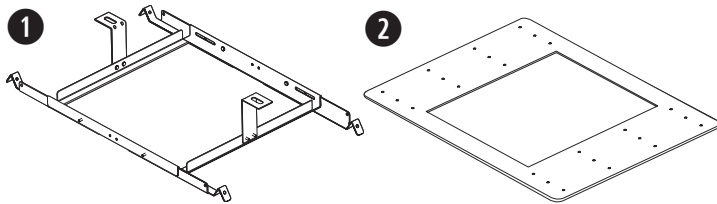


Ikke bruk hydrokarbonbaserte oppløsningsmidler, smøremidler eller rengjøringsmidler på eller rundt denne høyttaleren og tilhørende monteringsutstyr under montering. Slike midler kan forårsake at plastmaterialet brytes ned, som igjen kan forårsake sprekker og at høyttaleren faller ned.

Monteringsalternativer

Monteringsalternativer og tilbehør

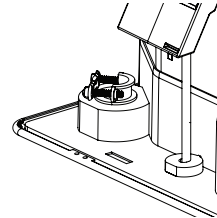
- 1 Justerbar monteringsbro (følger med)
- 2 Rough-in Pan (tilleggsutstyr)



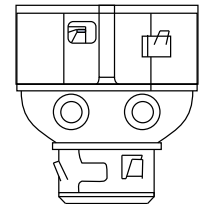
Rørforbindelse

Hvis du bruker et fleksibelt metallrør, må du bruke det med en 3/8-tommers rørforbindelse eller en 3/8-tommers dobbel kontakt.

Merk: Rørforbindelser følger ikke med.



3/8-tommers enkel inngang



3/8-tommers dobbel inngang / sløyfe

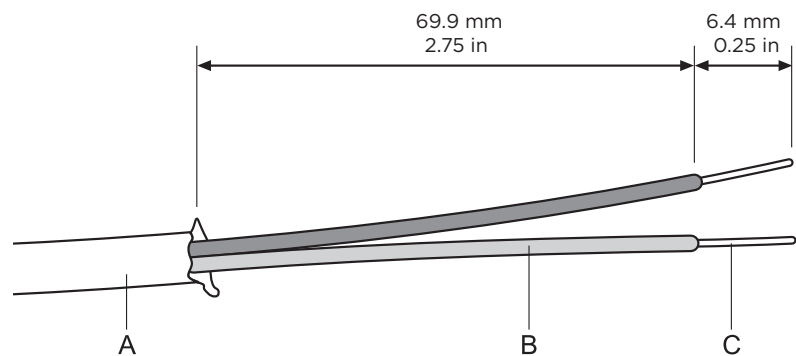
Kable høyttaleren

ved hjelp av terminaler med direkte inngang

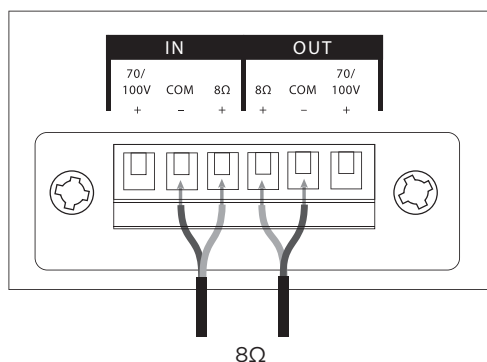
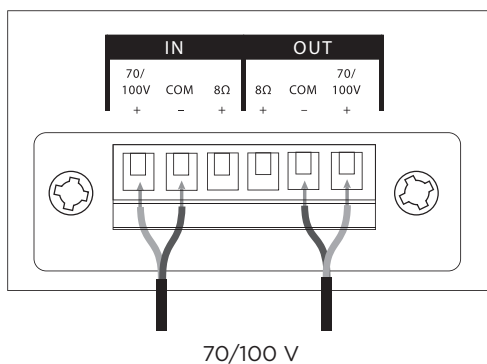
Krav til kabeldiameter fra høyttalerkabler til høyttalerterminaler: Bruk kun kabler på mellom 18 AWG (0,8 mm²) og 14 AWG (2,5 mm²).

Klargjøre kablen

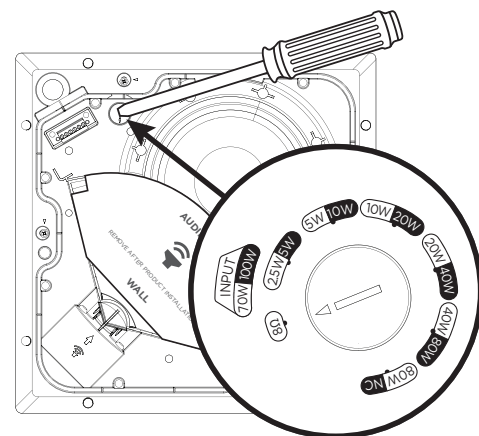
Skjær av det ytre laget (A) og litt av kabelisolasjonen (B) slik at du har nok bar kabel (C) til å koble til terminalene.



Koblingsdiagrammer



Høyttalerinnstillinger



70 V						8Ω
2,5 W*	5 W	10 W	20 W	40 W	80 W	
5 W*	10 W	20 W	40 W	80 W	NC**	
100 V						

* Fabrikstandard

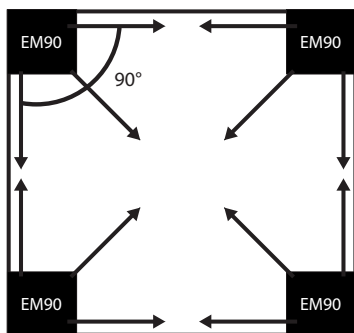
** NC: Ingen tilkobling (ikke bruk)

Innstilling av omformerkontakt

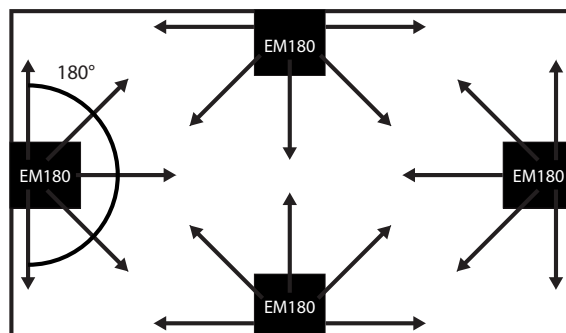
Vri for å stille inn kontakten. Bruk en skrutrekker med flatt hode.

Forberede monteringen

Monter EM90 i et hjørne. Se nedenfor for å se plasseringen i rommet ovenfra.



Monter EM180 langs en vegg. Se nedenfor for å se plasseringen i rommet ovenfra.



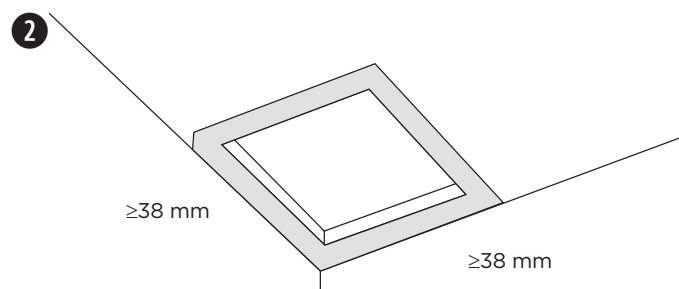
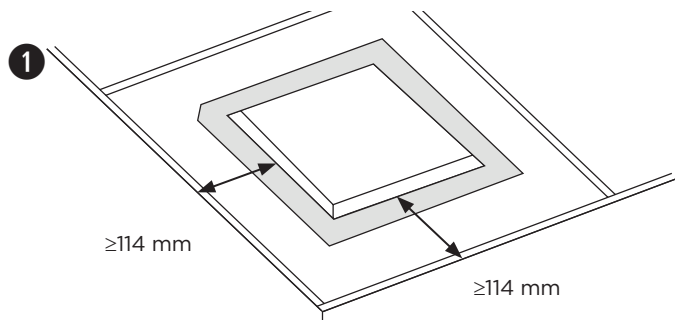
Merk: Sørg for at phase guide-beskyttelsen er på plass til monteringen er fullført.

Plassering av høyttaler

Når du monterer høyttaleren i nærheten av overgangen mellom vegg og tak, må du beregne nok plass til grillen. Grillen må monteres helt opptil taket slik at magnetene er i kontakt med hverandre.

Bruk den vedlagte malen for å få riktige mål på utskjæringen for og plasseringen av høyttaleren.

1. For EM90 eller EM180 i takplate:
Plasser høyttaleråpningen minst 114 millimeter fra hver vegg for å gi plass til monteringsbroen.
2. For EM90 eller EM180 i hardt tak: Plasser pappmalen helt inntil hjørnet (EM90) eller vegg (EM180). Dette sørger for at det er en avstand på minst 38 mm fra hver vegg for å gi plass til grillen.



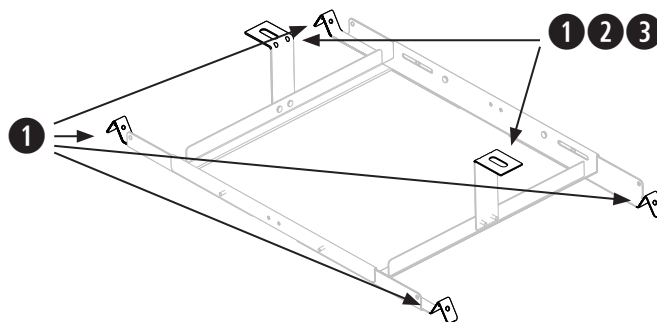
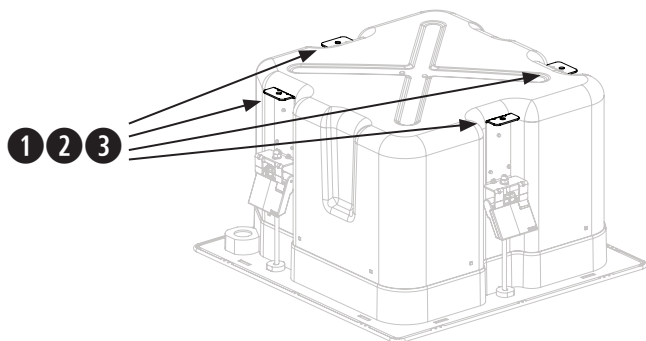
Merk: Montering på steder hvor høyttaleren kan komme i kontakt med matolje, damp eller høy varme, for eksempel på storkjøkken, kan redusere ytelsen eller påliteligheten til høyttaleren.

Bruke en sikkerhetskabel

Noen regionale byggeforskrifter krever at du sikrer høyttalerne ytterligere ved hjelp av en sekundær sikringsmetode. Velg monteringssted, -metode- og -utstyr som samsvarer med lokale byggeforskrifter og bestemmelser.

Bose anbefaler at du bruker (1) en sikkerhetsledning, (2) en sikkerhetskabel eller (3) en gjengestang som sekundær sikringsmekanisme. Se diagrammene nedenfor for å se punkter om sikkerhetsfeste.

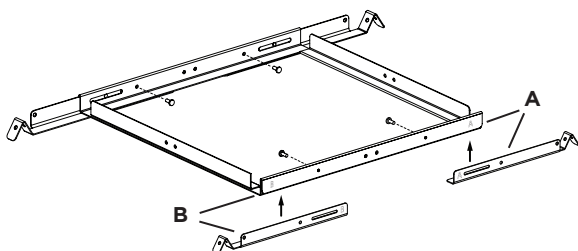
Følg produsentens instruksjoner for eventuelle sekundære festemekanismer som brukes.



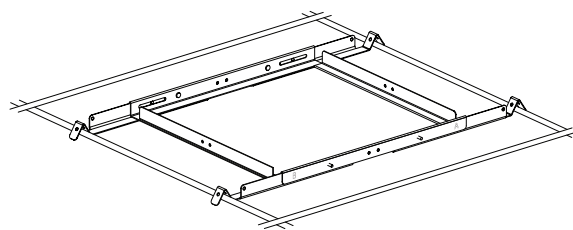
Montere monteringsbroen

1. Fest de fire skinnene til den midtre rammen med de fire skruene som følger med. Sett inn skruene fra innsiden av monteringsbroen. Skinnene og den midtre rammen er merket med A og B for å identifisere de riktige festepunktene.
2. Juster lengden på skinnene på monteringsbroen slik at de ligger trygt på takristen eller lekten.
Merk: Monteringsbroen støtter en avstand på mellom 56 og 66 cm.
3. Stram de fire skruene som fester skinnene på monteringsbroen til den midtre rammen.
4. Valgfritt: Fest L-brakettene til monteringsbroen for å lage et ekstra tilkoblingspunkt for en sikkerhetsledning, sikkerhetskabel eller gjengestang. Hvis du vil ha mer informasjon, kan du se **Bruke en sikkerhetskabel** på side 47.
Merk: Plasser L-brakettene slik at de ikke hindrer ankrene på høyttaleren fra å være i kontakt med monteringsbroen.

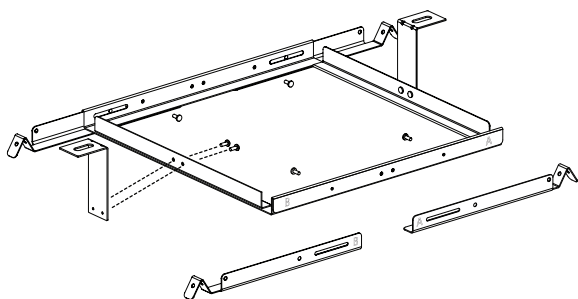
1



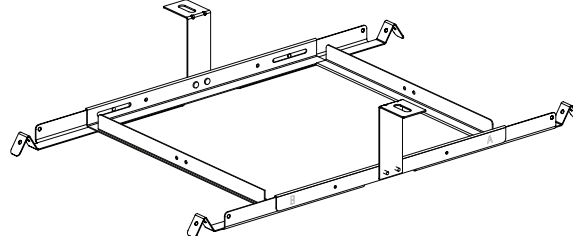
2



3



4

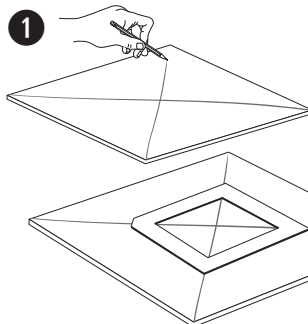


Klargjøre lyddempende takplate

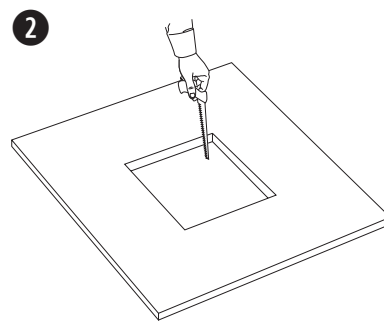
Skjære takplaten

1. Fjern platen, og bruk malen til å tegne et høyttalerhull på platen. Hvis du vil plassere malen midt på platen, tegner du en X ved å streke opp diagonale linjer mellom hjørnene og plassere malen på krysningspunktet.
2. Skjær et hull i platen.

1



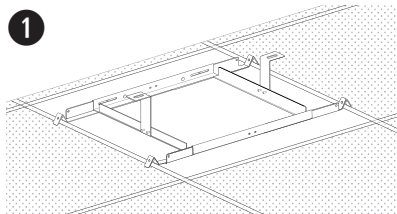
2



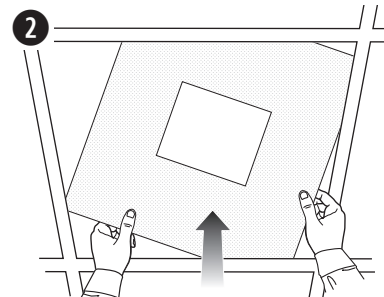
Installere monteringsbroen

1. Plasser den monterte monteringsbroen over takristen. Juster om nødvendig monteringsbroen slik at skinnene hviler på takristen.
2. Sett takplaten tilbake på plass.

1



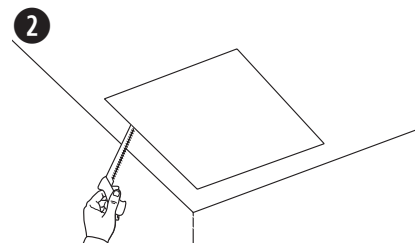
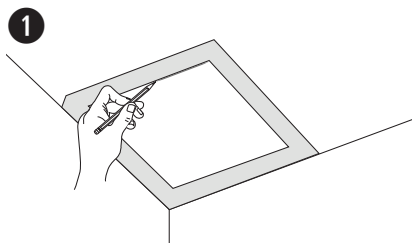
2



Klargjøre hardt tak (eksisterende konstruksjon)

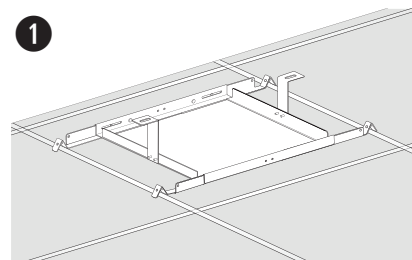
Skjære i taket

1. Bruk malen til å tegne opp et hull i taket.
2. Skjær et hull i taket.



Installere monteringsbroen

1. Før den monterte monteringsbroen gjennom hullet, og plasser den over takristen eller -lekten. Juster om nødvendig monteringsplaten slik at skinnene hviler på takristen eller -lekten.



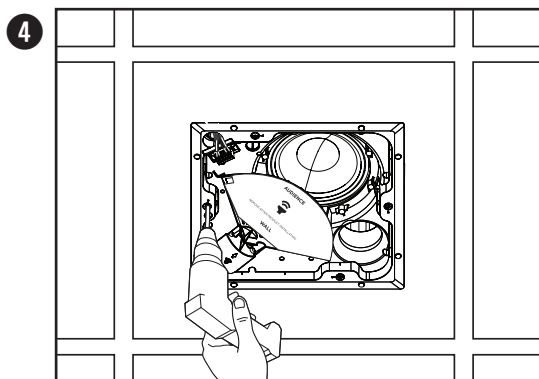
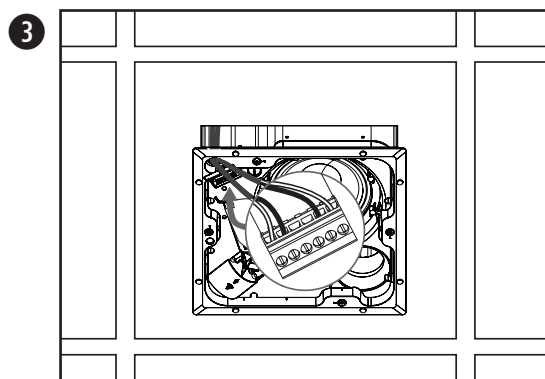
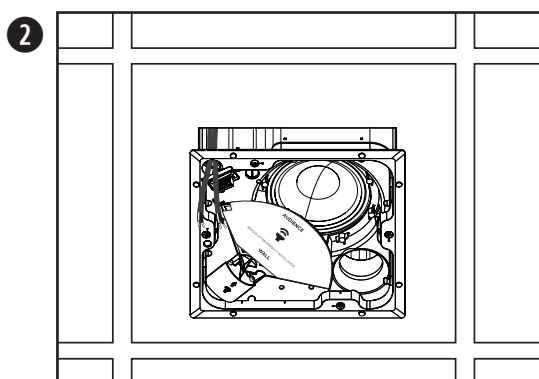
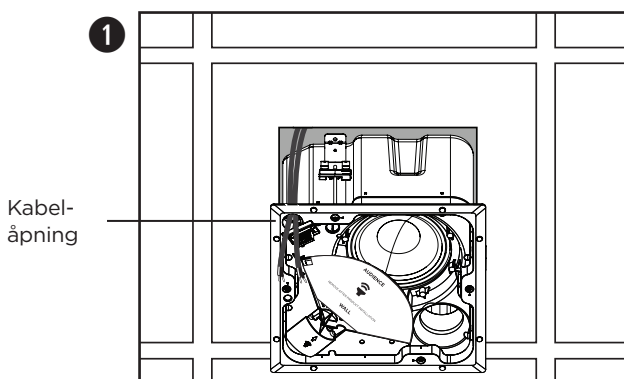
Montere høyttaleren

1. Før lyd-kabelen gjennom kabelåpningen (ved siden av kabelterminalen).
2. Før høyttaleren gjennom hullet og inn i monteringsbroen. Kontroller at ankrene er i kontakt med monteringsbroen før du løsner grepet på høyttaleren.
3. Ta ut kontakten, kable den, og sett den tilbake i høyttaleren. Hvis du vil ha mer informasjon om kabling, kan du se **Kable høyttaleren** på side 46.
4. Stram skruene på ankerarmen for å feste høyttaleren. Hvis du bruker en elektrisk drill, må du stille den inn på lavt dreiemoment.



ADVARSEL: Hvis skruene strammes for mye, kan dette forårsake skade på ankerfestepunktet eller taket, og at høyttaleren faller ned.

5. Kast phase guide-beskyttelsen.

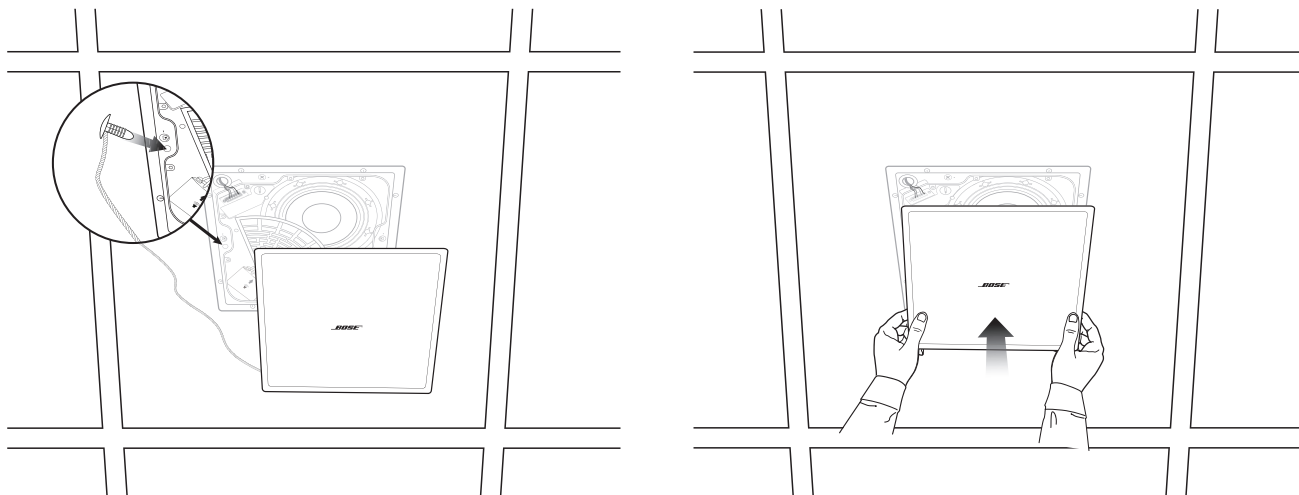


Montering i hardt tak ved hjelp av Rough-in Pan (ny konstruksjon)

Hvis du vil ha informasjon om hvordan du monterer rough-in pan, kan du se monteringsveiledningen for EdgeMax Rough-in Pan på **PRO.BOSE.COM**. Når rough-in pan er montert, kan du se **Montere høyttaleren** på side 49.

Feste grillen

Stikk sikkerhetsfestesnoen inn i hullet i høyttaleren. Bruk begge hendene når du plasserer grillen mot høyttaleren. Grillen festet til høyttaleren ved hjelp av magneter.



Samsvar med sikkerhet og forskrifter

Bose EdgeMax EM90- og EM180-høyttalerne har bestått tester og samsvarer med følgende spesifikasjoner og bruksområder:

Oppført i ANSI/UL 1480A-2016, høyttalere for profesjonell kommersiell bruk og sikkerhetsformål

Generell bruk - UL kategori UEAY, filnummer S 5591 kontrollnummer 3N89

Kan brukes innendørs på fuktige steder under UL 1480A, men se advarsler og forholdsregler på side 2 i denne monteringsveiledningen for viktige monteringsbegrensninger.

UL-2043, 2013, branntest og utløser for synlig røyk for diskrete produkter og tilbehør som er montert i ventilasjonsområder. Egnet for bruk i ventilasjonsområder (under overtrykk).

Kan brukes til montering ved hjelp av kabelmetoder i klasse 1, klasse 2 eller klasse 3, i samsvar med NFPA 70, *National Electric Code*, 2017, artikkel 640

NFPA 70, National Electric Code, 2017, artikkel 300-22(c).

NFPA 90-A, 2015, montering av klimaanlegg og ventilasjonssystemer, paragraf 4.3.11.2.6.5

EdgeMax EM90- og EM180-høyttalerne er utformet i henhold til kravene som er definert i følgende europeiske forskrifter for kombinasjonssystemer:

Testet i samsvar med IEC 60268-5, 2007

Kabeldiameter

EdgeMax EM90- og EM180-høyttalerne er kun utformet for å fungere med kabler på mellom 18 AWG (0,8 mm²) og 14 AWG (2,5 mm²).

Należy zapoznać się ze wszystkimi zaleceniami dotyczącymi bezpieczeństwa oraz instrukcjami użytkowania i zachować je.

Instalację niniejszego produktu może przeprowadzić wyłącznie specjalista! Niniejszy dokument ma na celu dostarczenie profesjonalnym instalatorom podstawowych wskazówek dotyczących instalacji i bezpieczeństwa tego produktu w typowych, stałych instalacjach. Przed przystąpieniem do instalacji należy zapoznać się z niniejszym dokumentem i wszystkimi ostrzeżeniami dotyczącymi bezpieczeństwa.

Nie wolno serwisować urządzenia samodzielnie. Wszystkie czynności serwisowe muszą być wykonywane przez pracowników autoryzowanych centrów serwisowych, autoryzowanych instalatorów, techników, sprzedawców lub dystrybutorów. Aby skontaktować się z firmą Bose Professional, ze sprzedawcą bądź dystrybutorem w okolicy, odwiedź stronę **PRO.BOSE.COM**.

1. Należy przeczytać instrukcje.
2. Należy zachować instrukcje.
3. Należy stosować się do wszystkich ostrzeżeń.
4. Należy postępować zgodnie z instrukcjami.
5. Nie należy korzystać z tego urządzenia w pobliżu wody.
6. Urządzenie należy czyścić wyłącznie przy użyciu suchej ściereczki.
7. Nie wolno blokować otworów wentylacyjnych. Urządzenie należy zainstalować zgodnie z zaleceniami producenta.
8. Nie wolno instalować urządzenia w pobliżu źródeł ciepła, takich jak kaloryfery, przewody kominowe, piece lub inne urządzenia wydzielające ciepło (np. wzmacniacze).
9. Należy korzystać wyłącznie z dodatków i akcesoriów zalecanych przez producenta.



OSTRZEŻENIA/PRZESTROGI



Produkt zawiera elementy magnetyczne. Aby dowiedzieć się, czy mogą one mieć wpływ na funkcjonowanie implantów medycznych, należy skonsultować się z lekarzem.

- Wszystkie produkty Bose muszą być instalowane zgodnie z przepisami lokalnymi, krajowymi, federalnymi i branżowymi. Instalator jest zobowiązany zainstalować głośniki i system montażowy zgodnie ze wszystkimi obowiązującymi regulaminami, w tym regulaminami i przepisami obowiązującymi w budynku. Przed instalacją produktu należy skonsultować się z odpowiednimi władzami.
- Niebezpieczny montaż lub podwieszenie ciężkiego ładunku może spowodować poważne obrażenia lub śmierć oraz uszkodzenie mienia. Do obowiązków instalatora należy ocena niezawodności każdej metody montażu stosowanej w tym przypadku. Montaż podwieszanych głośników może być przeprowadzany wyłącznie przez profesjonalnych instalatorów posiadających wiedzę o odpowiednim sprzęcie i bezpiecznych technikach montażu.
- Nie wolno montować produktu w pomieszczeniach, w których może występować skraplanie pary wodnej.
- Niniejszy produkt nie jest przeznaczony do instalacji ani stosowania w pomieszczeniach mających stały kontakt z wodą (w tym m.in. basenach wewnętrznych, parkach wodnych, pomieszczeniach z jacuzzi, saunach, łaźniach parowych i lodowiskach).
- Nie montować uchwytu na powierzchniach niewystarczająco solidnych lub stwarzających zagrożenia związane na przykład z instalacją elektryczną lub hydrauliczną. W przypadku wątpliwości związanych z montażem uchwytu skontaktować się z wykwalifikowanym instalatorem. Upewnić się, że uchwyt został zamontowany zgodnie z lokalnymi przepisami budowlanymi.
- Należy używać wyłącznie sprzętu i akcesoriów dostarczonych lub określonych przez firmę Bose jako odpowiednie do głośników EdgeMax EM90 i EM180. Informacje na temat zgodnych akcesoriów można znaleźć w arkuszu danych technicznych produktu pod adresem **PRO.BOSE.COM**.
- Nie wolno dokonywać modyfikacji produktu bez zezwolenia.
- Podczas instalacji nie wolno używać rozpuszczalników na bazie węglowodorów, środków smarnych ani środków czyszczących jakiegokolwiek typu i nanosić ich wokół głośnika ani na urządzenie czy dołączone elementy montażowe. Narażenie na działanie takich substancji może prowadzić do degradacji materiałów plastikowych, a w rezultacie do pęknięcia i stworzenia zagrożenia upadkiem.
- Głośniki należy czyścić wyłącznie suchą szmatką. Nie należy wystawiać głośnika na działanie mydła, detergentów, oleju mineralnego, alkoholu ani innych środków czyszczących lub chemikaliów.
- Osłona wyposażona jest w linkę bezpieczeństwa przeznaczoną do jednorazowego użytku.

Klasyfikacja produktu:

Napięcie wejściowe: 70 V / 100 V

Impedancja: 8 Ω, 125 W

Prąd lub moc: (70 V): 2,5 W, 5 W, 10 W, 20 W, 40 W, 80 W; (100 V):

5 W, 10 W, 20 W, 40 W, 80 W

Informacje prawne



Ten produkt jest zgodny ze wszystkimi obowiązującymi wymaganiami dyrektyw UE. Pełna treść Deklaracji zgodności jest dostępna w witrynie: **www.Bose.com/compliance**.



Ten symbol oznacza, że produktu nie należy wyrzucać razem z innymi odpadkami z gospodarstwa domowego. Produkt należy dostarczyć do odpowiedniego miejsca zbiórki w celu recyklingu. Właściwy sposób utylizacji i recyklingu pomaga chronić zasoby naturalne, ludzkie zdrowie i środowisko naturalne. Aby uzyskać więcej informacji na temat utylizacji i recyklingu tego produktu, skontaktuj się z samorządem lokalnym, w zakładzie utylizacji odpadów albo w sklepie, w którym produkt został nabyty.

Data produkcji: ósma cyfra numeru seryjnego oznacza rok produkcji, np. cyfra „7” oznacza rok 2007 lub 2017.

Importer na terenie Chin: Bose Electronics (Shanghai) Company Limited, Part C, Plant 9, No. 353 North Ruying Road, China (Shanghai) Pilot Free Trade Zone

Importer na terenie UE: Bose Products B.V., Gorslaan 60, 1441 RG Purmerend, Holandia

Importer na terenie Meksyku: Bose de México, S. de R.L. de C.V., Paseo de las Palmas 405-204, Lomas de Chapultepec, 11000 México, D.F. W celu uzyskania informacji o importerze i usługach: +5255 (5202) 3545

Importer na terenie Tajwanu: Bose Taiwan Branch, 9F-A1, No.10, Section 3, Minsheng East Road, Taipei City 104, Taiwan. Numer telefonu: +886-2-2514 7676

Bose i EdgeMax są znakami towarowymi firmy Bose Corporation.

Siedziba główna firmy Bose Corporation: 1-877-230-5639

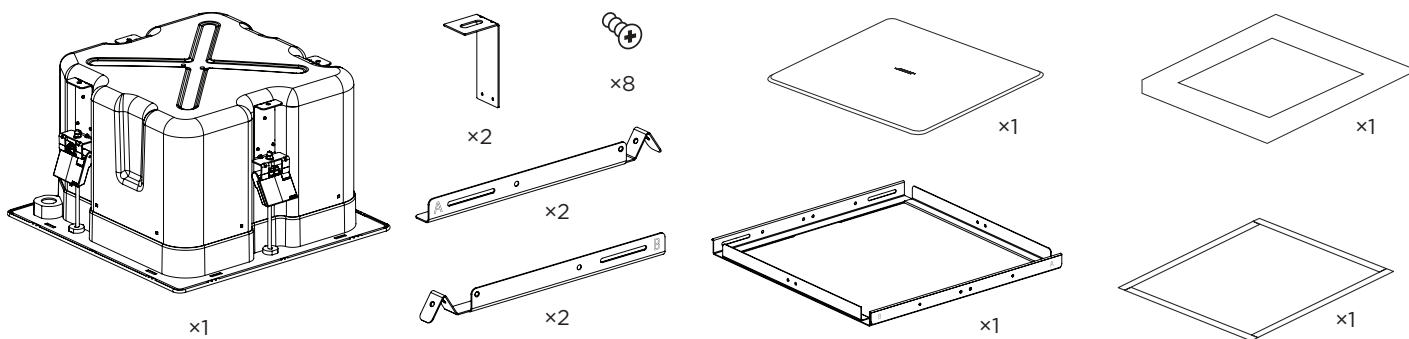
© 2019 Bose Corporation. Żadnej części tego dzieła nie wolno reprodukować, modyfikować, rozpowszechniać ani w inny sposób wykorzystywać bez uprzedniego uzyskania pisemnego pozwolenia.

Informacje o gwarancji

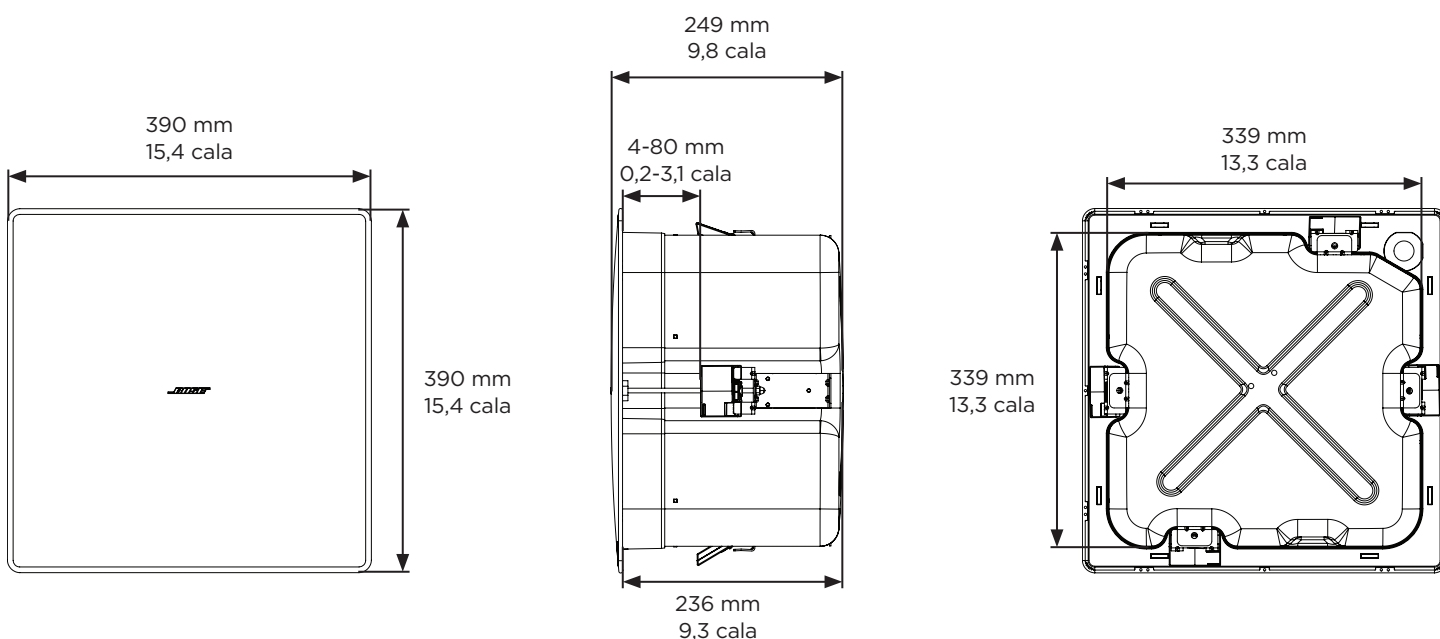
Opisywany produkt objęty jest ograniczoną gwarancją.

Szczegółowe informacje na temat gwarancji można znaleźć na stronie **PRO.BOSE.COM**.

Zawartość opakowania



Wymiary produktu



Dane techniczne

Dodatkowe dane techniczne można znaleźć w arkuszu danych technicznych EdgeMax EM90 i EM180 na stronie PRO.BOSE.COM.

Fizyczne	
Wymiary produktu	Osłona: 390 × 390 mm (15,4 × 15,4 cala)
	Obudowa: 339 × 339 mm (13,3 × 13,3 cala)
	Głębokość tylnej puszk: 236 mm (9,3 cala)
Wycięcie otworu	345 × 345 mm (13,6 × 13,6 cala)
Maksymalna grubość sufitu	80 mm (3,1 cala)
Waga netto - głośnik z osłoną	10,1 kg (22,2 funta)
Waga netto - mostek płytkowy	1,4 kg (3,1 funta)
Waga przesyłki	12,5 kg (27,6 funta)

Ważne informacje dotyczące instalacji



Instalator jest zobowiązany zainstalować głośniki i system montażowy zgodnie ze wszystkimi obowiązującymi regulaminami, w tym regulaminami i przepisami obowiązującymi w budynku. Przed instalacją produktu należy skonsultować się z odpowiednimi władzami.

Odpowiedzialność za bezpieczeństwo instalacji głośników spoczywa na instalatorze. Nieprawidłowe zamontowanie głośnika może spowodować uszkodzenie urządzenia, obrażenia ciała lub śmierć.

Nie wolno montować produktu w pomieszczeniach, w których może występować skraplanie pary wodnej.



Niniejszy produkt nie jest przeznaczony do instalacji ani stosowania w pomieszczeniach mających stały kontakt z wodą (w tym m.in. basenach wewnętrznych, parkach wodnych, pomieszczeniach z jacuzzi, saunach, łaźniach parowych i lodowiskach).

Nie montować uchwyty na powierzchniach niewystarczająco solidnych lub stwarzających zagrożenia związane na przykład z instalacją elektryczną lub hydrauliczną. W przypadku wątpliwości związanych z montażem uchwytu skontaktować się z wykwalifikowanym instalatorem. Upewnić się, że uchwyt został zamontowany zgodnie z lokalnymi przepisami budowlanymi.

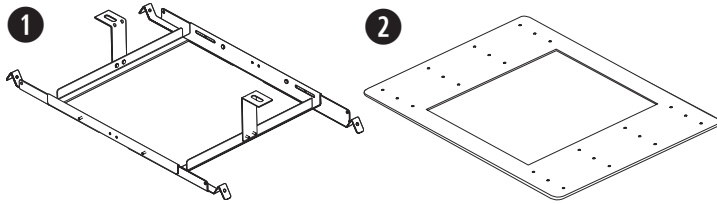


Podczas instalacji nie wolno używać rozpuszczalników na bazie węglowodorów, środków smarnych ani środków czyszczących jakiegokolwiek typu i nanosić ich wokół głośnika ani na urządzenie czy dołączone elementy montażowe. Narażenie na działanie takich substancji może prowadzić do degradacji materiałów plastikowych, a w rezultacie do pęknięcia i stworzenia zagrożenia upadkiem.

Opcje montażu

Opcje montażu i akcesoria

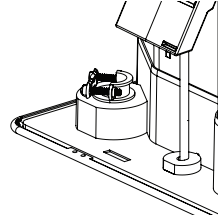
- 1 Regulowany mostek do płytek (w zestawie)
- 2 Podkładka montażowa (opcjonalna)



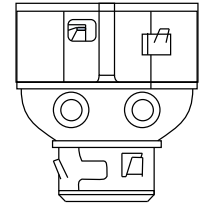
Przepust kablowy

W przypadku korzystania z elastycznego metalowego kanału kablowego należy użyć łącznika $\frac{3}{8}$ cala lub podwójnego złączka $\frac{3}{8}$ cala (dupleksu).

Uwaga: przepusty kablowe nie są dołączone do zestawu.



$\frac{3}{8}$ cala, pojedynczy



$\frac{3}{8}$ cala, podwójne wejście/pętla

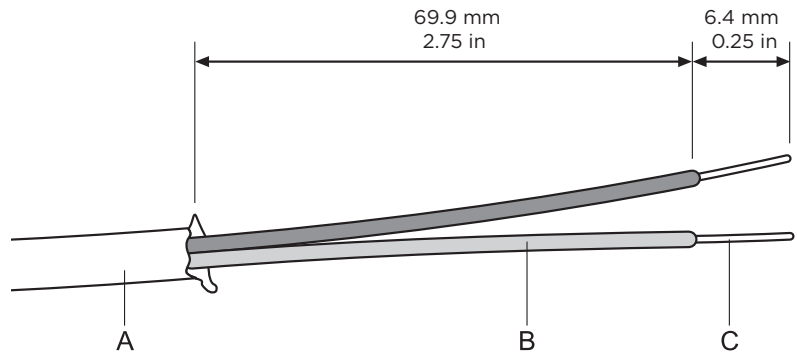
Okablowanie głośnika

Z wykorzystaniem bezpośrednich złączy wejściowych

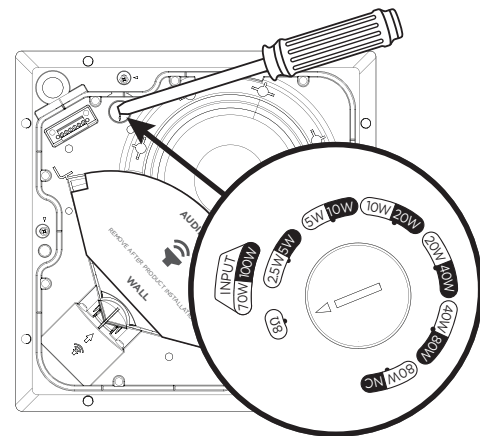
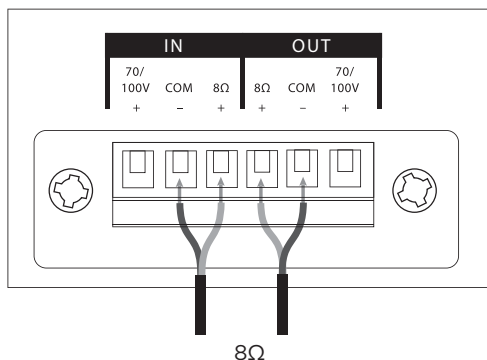
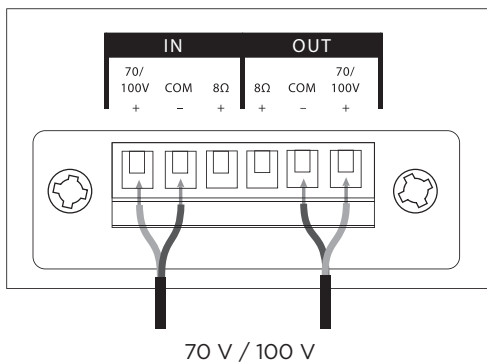
Wymagania dotyczące grubości przewodów od okablowania do zacisków głośników: należy stosować wyłącznie przewody o rozmiarze od 18 AWG (0,8 mm²) do 14 AWG (2,5 mm²).

Przygotowanie przewodu

Przytnij osłonę zewnętrzną (A) i niektóre elementy izolacji przewodów (B), aby odsłonić przewód (C) w celu przymocowania do zacisków.



Ustawienia głośnika



70 V						8Ω
2,5 W	5 W	10 W	20 W	40 W	80 W	
5 W*	10 W	20 W	40 W	80 W	NC**	
100 V						

* Ustawienia fabryczne

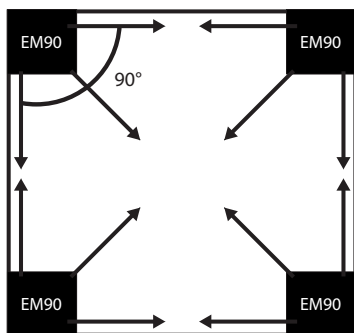
** NC brak połączenia (nie używać)

Ustawienie gwintownika transformatora

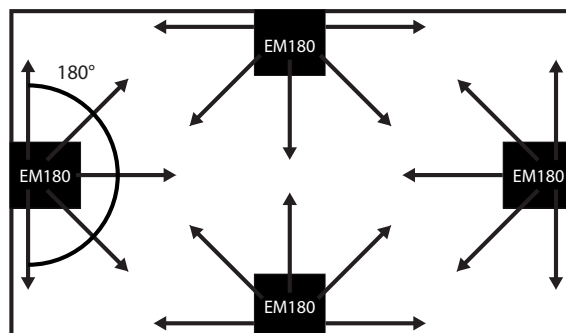
Ustaw gwintownik, obracając go. Użyj płaskiego śrubokrętu.

Przygotowanie do montażu

Montaż EM90 w rogu. Poniżej znajduje się widok z góry.



Montaż EM180 równoległe do ściany. Poniżej znajduje się widok z góry.



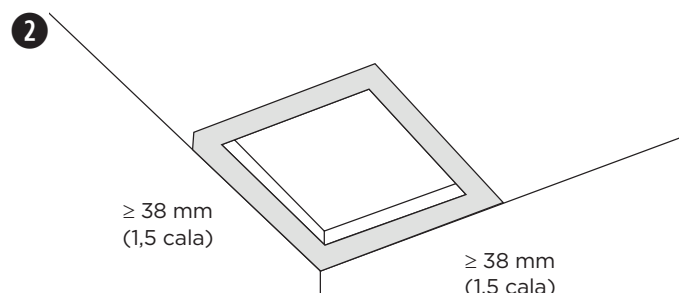
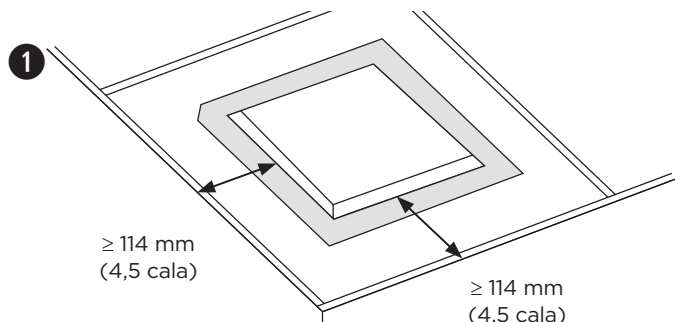
Uwaga: osłonę przewodnicy fazy należy pozostawić na miejscu aż do zakończenia montażu.

Rozmieszczenie głośników

W przypadku montażu głośnika w pobliżu interfejsu ściennie-sufitowego należy zapewnić wystarczającą ilość miejsca na zwis osłony. Osłona musi znajdować się w jednej płaszczyźnie z powierzchnią sufitu, aby magnesy mogły się całkowicie zaczepić.

Użyć dołączonego szablonu, aby zapewnić odpowiednie wymiary wycięcia i prawidłowe umiejscowienie głośnika.

1. Montaż EM90 lub EM180 na płytce sufitowej: Umieścić otwór głośnika w odległości co najmniej 114 mm (4,5 cala) od każdej ściany, aby pozostawić miejsce na mostek.
2. Montaż EM90 lub EM180 w suficie „twardym”: Szablon z kartonu należy umieścić równo z narożnikiem (EM90) lub ścianą (EM180). Pozwoli to odliczyć co najmniej 38 milimetrów (1,5 cala) od każdej ściany, aby pomieścić osłonę.



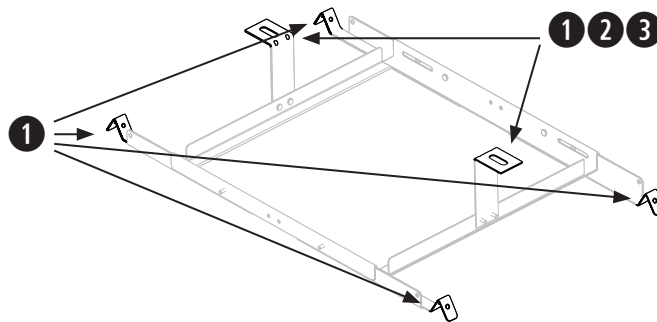
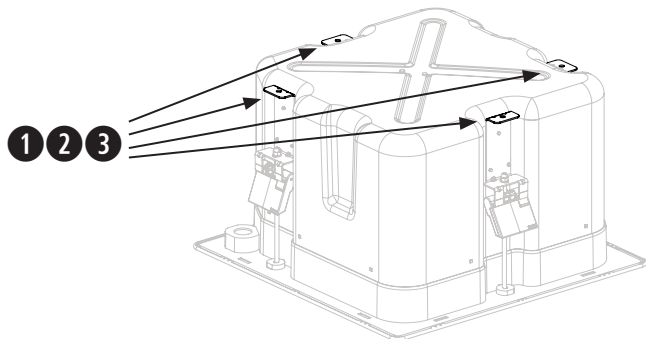
Uwaga: montaż w pobliżu powierzchni służących do gotowania, gdzie głośnik może być bezpośrednio wystawiony na działanie olejów, pary lub wysokiej temperatury, np. w komercyjnych punktach przygotowywania posiłków, może obniżyć wydajność lub niezawodność głośnika.

Korzystanie z kabla zabezpieczającego

Niektóre regionalne przepisy budowlane wymagają zastosowania dodatkowej metody zabezpieczania głośników w celu zapewnienia dodatkowego bezpieczeństwa. Pozycja, sposób i elementy montażu muszą być zgodne z lokalnymi normami i przepisami budowlanymi.

Firma Bose zaleca użycie (1) przewodu zabezpieczającego, (2) kabla zabezpieczającego lub (3) pręta gwintowanego jako dodatkowego mechanizmu zabezpieczającego. Punkty mocowania osprzętu zabezpieczającego przedstawiono na poniższych schematach.

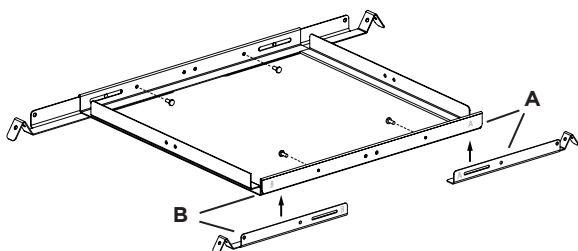
Należy przestrzegać instrukcji producenta dotyczących dodatkowego mechanizmu zabezpieczającego.



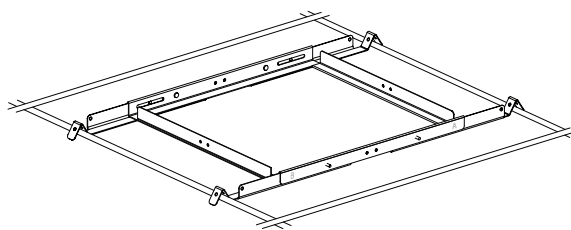
Montaż mostka płytkowego

1. Przymocować cztery szyny do ramy środkowej za pomocą czterech dołączonych śrub. Wkręcić śruby od wewnętrznej strony mostka płytkowego. Szyny i rama środkowa są oznaczone literami A i B w celu prawidłowego określenia punktów mocowania.
2. Wyregulować długość szyn mostka płytkowego tak, aby szyny pewnie spoczywały na kratce lub podkładce sufitowej.
Uwaga: mostek płytkowy obsługuje odstępów od 56 do 66 cm (od 22 do 26 cali).
3. Dokręcić cztery śruby mocujące prowadnice mostka do ramy środkowej.
4. Opcjonalnie: przymocować wsporniki w kształcie litery L do mostka płytkowego, w celu utworzenia dodatkowego punktu połączenia dla przewodu zabezpieczającego, kabla zabezpieczającego lub pręta gwintowanego. Aby uzyskać więcej informacji, patrz **Korzystanie z kabla zabezpieczającego** na stronie 54.
Uwaga: umieścić wsporniki w kształcie litery L w położeniu, które nie uniemożliwi pełnego zaczeplenia zaczeplów głośnika na mostku płytkowym.

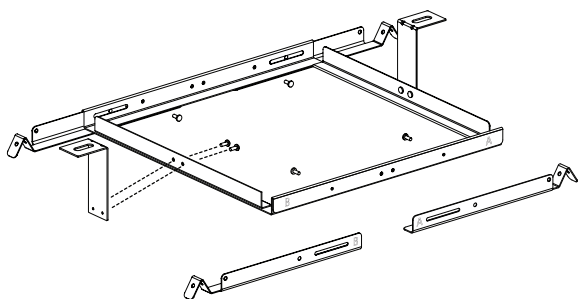
1



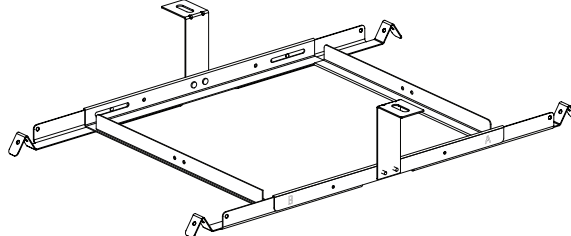
2



3



4

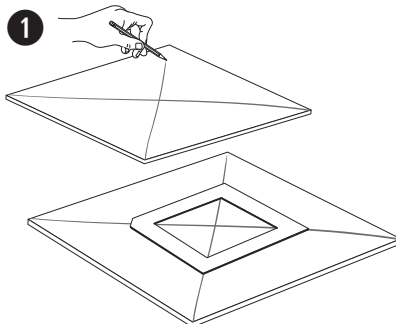


Przygotowanie akustycznej płytki sufitowej

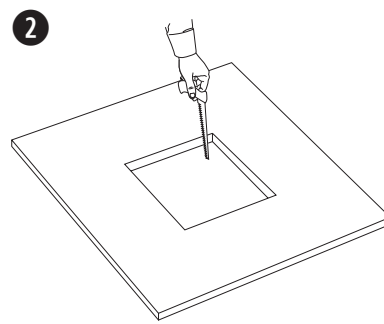
Przycinanie płytki sufitowej

1. Usunąć płytkę i użyć szablonu do zaznaczenia otworu głośnika na płytce. Aby wyśrodkować szablon na płytce, narysować znak X, łącząc narożniki po przekątnej i wyśrodkować szablon, używając punktu przecięcia.
2. Wyciąć otwór w płytce.

1



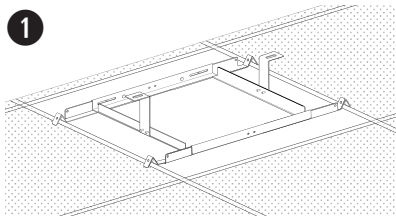
2



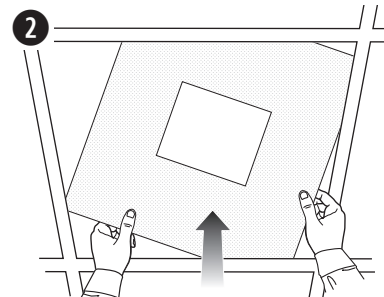
Montaż mostka płytkowego

1. Umieścić złożony mostek płytkowy w poprzek kratki sufitowej. W razie potrzeby wyregulować położenie mostka, tak aby szyny spoczywały na kratce sufitowej.
2. Zamontować płytkę w suficie.

1



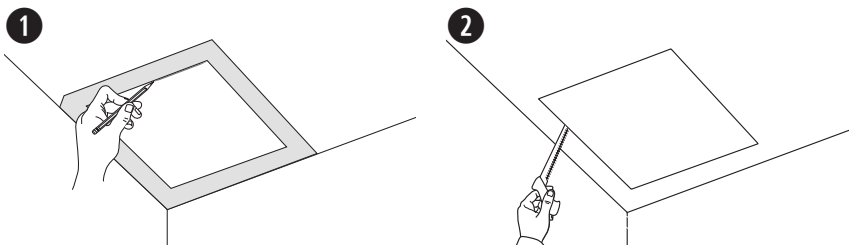
2



Przygotowanie sufitu twardego (istniejąca konstrukcja)

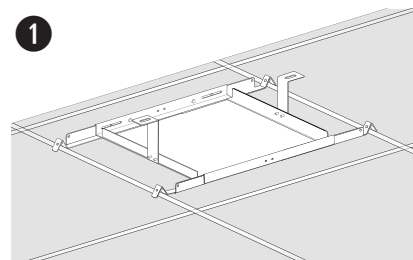
Przycinanie sufitu

1. Użyć szablonu do zaznaczenia otworu w suficie.
2. Wyciąć otwór w suficie.



Montaż mostka płytkowego

1. Wsunąć złożony mostek płytkowy przez otwór i umieścić go w poprzek kratki sufitowej lub podkładki sufitowej. W razie potrzeby wyregulować położenie mostka, tak aby szyny spoczywały na kratce lub podkładce sufitowej



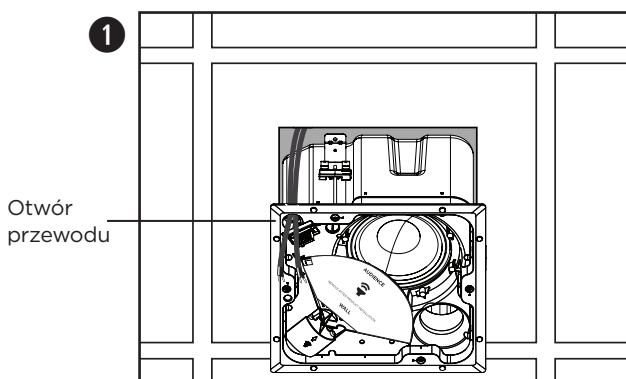
Montaż głośnika

1. Przeciągnąć przewód audio przez otwór obok przyłącza przewodów.
2. Wsunąć głośnik przez otwór i do mostka płytkowego. Przed poluzowaniem uchwytu na głośniku należy upewnić się, że zaczepy na mostku zostały zablokowane.
3. Odłączyć złącze, podłączyć okablowanie do złącza i ponownie podłączyć złącze do głośnika. Informacje na temat okablowania można znaleźć w sekcji **Podłączanie okablowania do głośnika** na stronie 53.
4. Dokręcić śruby ramienia kotwiącego, aby zamocować głośnik. W przypadku używania wiertarki udarowej należy ustawić niski moment obrotowy.

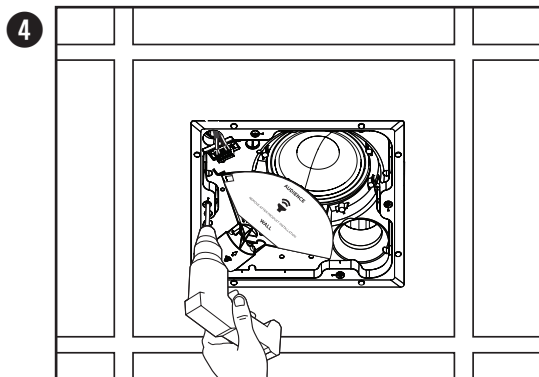
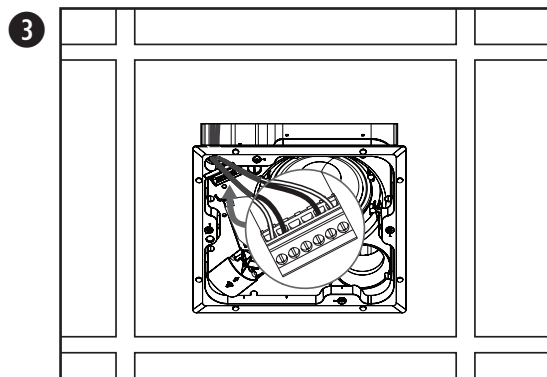
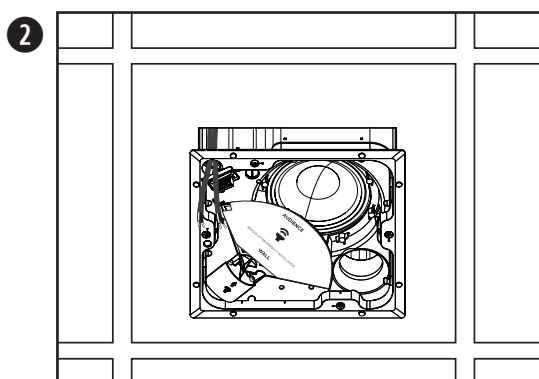


OSTRZEŻENIE: zbyt mocne dokręcenie śrub może spowodować uszkodzenie punktu mocowania zaczepu lub sufitu, co może prowadzić do zagrożenia upadkiem.

5. Wyrzucić osłonę przewodnicy fazy.



Otwór przewodu

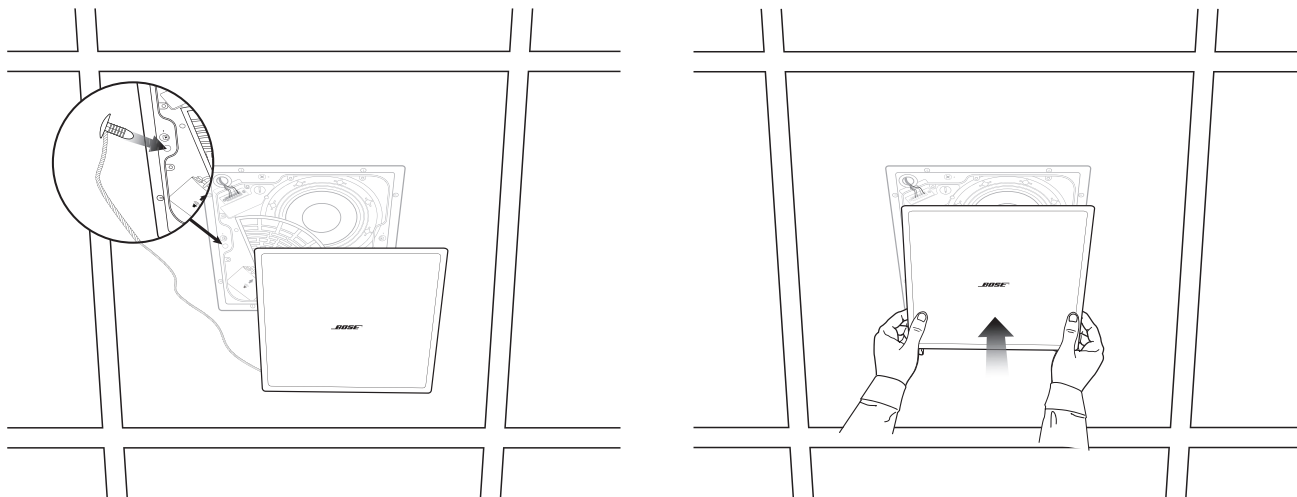


Montaż w suficie twardym z wykorzystaniem podkładki montażowej (nowa konstrukcja)

Informacje na temat instalacji podkładki montażowej można znaleźć w podręczniku instalacji podkładki montażowej EdgeMax na stronie **PRO.BOSE.COM**. Po zamontowaniu podkładki montażowej należy zapoznać się z informacjami zawartymi w sekcji **Montaż głośnika** na stronie 56.

Mocowanie osłony głośnika

Włożyć kołek linki bezpieczeństwa do otworu w głośniku. Oburącz nałożyć osłonę na głośnik. Osłona jest mocowana do głośnika magnetycznie.



Informacje dotyczące bezpieczeństwa i zgodności

Głośniki Bose EdgeMax EM90 i EM180 przeszły testy i są zgodne z następującymi specyfikacjami i zastosowaniami:

Zgodność z normami ANSI/UL 1480A-2016, Głośniki do bezpiecznego użytku komercyjnego i specjalistycznego
Do zastosowań ogólnych – kategoria UL UEAY, numer pliku S 5591, numer kontrolny 3N89

Głośniki nadają się do użytku w pomieszczeniach o dużej wilgotności, zgodnie z normą UL 1480A, jednak należy zapoznać się z informacjami na temat przestróg i ostrzeżeń zawartymi na stronie 2 podręcznika instalacji.

UL-2043, 2013, Test pożarowy i widzialne uwalnianie dymu dla produktów dyskretnych i ich akcesoriów zainstalowanych w przestrzeniach wentylacyjnych. Nadaje się do użytku w przestrzeniach wentylacyjnych (plenum).

Głośniki nadają się do instalacji przy użyciu okablowania klasy 1, klasy 2 lub klasy 3 zgodnie z normą NFPA 70, *National Electric Code*, 2017, art. 640

NFPA 70, *National Electric Code*, 2017, art. 300-22(c).

NFPA 90-A, 2015, Instalacja systemów klimatyzacji i wentylacji, paragraf 4.3.11.2.6.5

Głośniki EdgeMax EM90 i EM180 zostały zaprojektowane zgodnie z wymaganiami określonymi w następujących europejskich przepisach dotyczących systemów łączonych:

Testowane zgodnie z normą IEC 60268-5, 2007

Grubość przewodu


Do montażu głośników EdgeMax EM90 and EM180 należy stosować wyłącznie przewody o rozmiarze od 18 AWG (0,8 mm²) do 14 AWG (2,5 mm²).

请阅读并保留所有安全和使用说明。


本产品仅适合由专业安装人员安装！本文档旨在为专业安装人员提供在典型的固定安装系统中安装此产品时适用的基本安装和安全指南。请先阅读本文档和所有安全警告，再尝试安装。

请勿尝试自行维修此产品。所有维修服务必须由授权服务中心、安装人员、技术人员、经销商或分销商提供。要联系 Bose Professional 或查找您附近的经销商或分销商，请访问 PRO.BOSE.COM。

1. 请阅读这些说明。
2. 请保留这些说明。
3. 请注意所有警告。
4. 请遵守所有说明。
5. 请勿在近水区域使用本设备。
6. 只能使用干布进行清洁。
7. 请勿堵塞任何通风口。请按照制造商的说明进行安装。
8. 请勿安装在靠近任何热源的位置，例如暖气片、热调节装置、火炉或可产生热量的其他设备（包括功放）。
9. 只能使用制造商指定的附件/配件。



警告/小心



本产品含有磁性材料。有关这是否会影响到您的植入式医疗器械，请咨询您的医生。

- 所有 Bose 产品的安装必须遵守当地、州、联邦和行业规范。安装人员有责任确保扬声器和安装系统的安装都符合适用的法规，包括当地的建筑法规和规定。安装本产品前，请咨询拥有司法权的当地监管机构。
- 不安全地登高安装或吊装任何重物可能导致严重的人身伤害和财产损失。安装人员有责任评估在其应用中所使用的任何安装方法的可靠性。只有正确了解硬件且掌握安全安装技术的专业安装人员才能尝试安装任何吊装式扬声器。
- 请勿将产品安装在可能发生冷凝的位置。
- 此产品不适合在室内涉水设施区域安装或使用（包括但不限于室内游泳馆、室内水上乐园、有热水浴缸的房间、桑拿房、蒸汽浴室以及室内溜冰场）。
- 请勿将其安装在在不结实或有潜在危险的表面，比如布线或铺设管道的地方。如果您不确定如何安装支架，请联系拥有相应资质的专业安装人员。安装支架时，应确保遵循当地建筑规范的要求。
- 仅使用 Bose 内含或指定的硬件和附件与 EdgeMax EM90 和 EM180 扬声器配合使用。有关兼容附件的信息，请参阅 PRO.BOSE.COM 上的产品技术数据表。
- 未经授权切勿改装本产品。
- 在安装扬声器和相关安装硬件时，请勿对产品本身或在其周边使用任何类型的烃类溶剂、润滑油或清洗剂。暴露于此类物质中可能会导致产品塑料材料老化，从而导致产品开裂和坠落危险。
- 只能使用干布清洁扬声器。请勿将扬声器暴露在肥皂、清洁剂、矿物油、酒精或其他清洁剂或化学制品中。
- 网罩配有专门的一次性安全绳索。

产品额定值：

输入电压：70V/100V

阻抗：8 Ω, 125 W

电流或功率：(70V)：2.5W、5W、10W、20W、40W、80W；

(100V)：5W、10W、20W、40W、80W

规范信息

 本产品符合所有适用的欧盟指令要求。您可以从以下网址找到完整的合规声明：www.Bose.com/compliance。



此符号表示不得将此产品作为生活垃圾丢弃，应将其送到合适的回收站点进行回收。正确处理和回收有助于保护自然资源、人类健康和环境。想要获得更多关于此产品的处理和回收的信息，请联系当地市政当局、垃圾处理服务部门或您购买此产品的商店。


中国危险物质限用表

有毒或有害物质或元素名称及成分						
有毒或有害物质和元素						
零件名称	铅 (Pb)	汞 (Hg)	镉 (Cd)	六价铬 (CR(VI))	多溴化联苯 (PBB)	多溴二苯醚 (PBDE)
印刷电路板	X	0	0	0	0	0
金属零件	X	0	0	0	0	0
塑料零件	0	0	0	0	0	0
扬声器	X	0	0	0	0	0
线缆	X	0	0	0	0	0

此表格依据 SJ/T 11364 的要求制定。

0: 表示此零件中所有均质材料所包含的此类有毒或有害物质均低于 GB/T 26572 中的限定要求。

X: 表示此零件所用全部均质材料中至少有一种包含的有毒或有害物质高于 GB/T 26572 中的限定要求。



生产日期：序列号中第八位数字表示生产年份；“7”表示 2007 年或 2017 年。

中国进口商：博士视听系统（上海）有限公司，地址：中国（上海）自由贸易试验区日樱北路 353 号，9 号厂房 C 部位

欧洲进口商：Bose Products B.V., Gorslaan 60, 1441 RG Purmerend, The Netherlands

墨西哥进口商：Bose de México, S. de R.L. de C.V., Paseo de las Palmas 405-204, Lomas de Chapultepec, 11000 México, D.F.进口商和服务信息：+5255 (5202) 3545

中国台湾进口商：Bose 台湾分公司，台湾 104 台北市民生东路三段 10 号，9F-A1。电话：+886-2-2514 7676

Bose 和 EdgeMax 是 Bose Corporation 的商标。

Bose 公司总部：1-877-230-5639

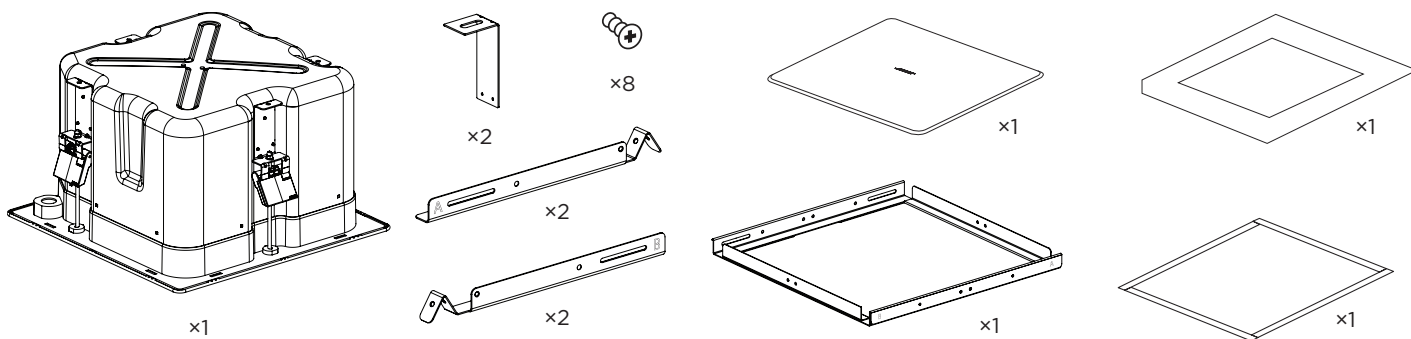
©2019 Bose Corporation。未经事先书面许可，不得复制、修改、分发或以其他方式使用本文档的任何部分。

质保信息

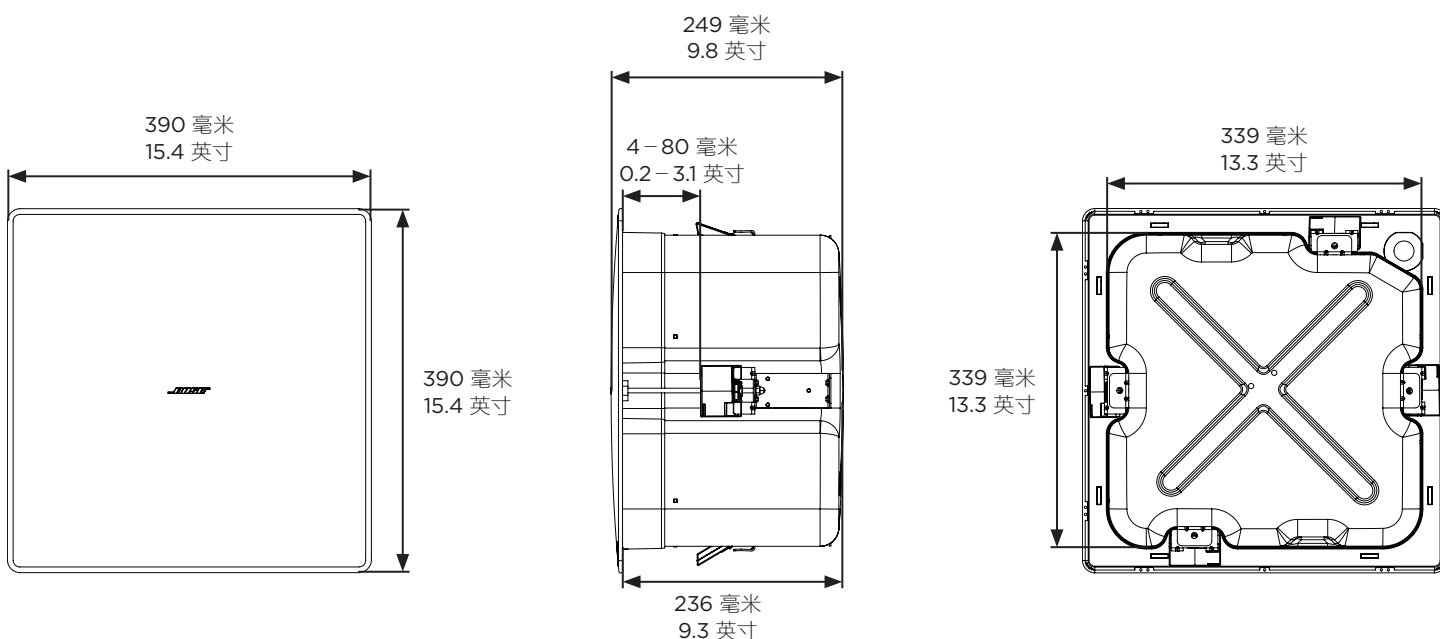
本产品享有有限保修。

有关质保的详细信息，请访问 PRO.BOSE.COM。

包装清单



产品尺寸



技术规格

有关其他规格，请参阅 PRO.BOSE.COM 上的 EdgeMax EM90 和 EM180 技术数据表。

外观	
产品尺寸	网罩: 390 毫米 × 390 毫米 (15.4 英寸 × 15.4 英寸)
	箱体: 339 毫米 × 339 毫米 (13.3 英寸 × 13.3 英寸)
	后盖深度: 236 毫米 (9.3 英寸)
开孔	345 毫米 × 345 毫米 (13.6 英寸 × 13.6 英寸)
天花板最大厚度	80 毫米 (3.1 英寸)
带网罩的扬声器净重	10.1 千克 (22.2 磅)
桥板净重	1.4 千克 (3.1 磅)
装运重量	12.5 千克 (27.6 磅)

重要安装信息



安装人员有责任确保扬声器和安装系统的安装都符合适用的法规，包括当地的建筑法规和规定。安装本产品前，请咨询拥有司法权的当地监管机构。

安装人员负责确保扬声器安装的安全。如果未正确安装扬声器，可能导致损坏或人员伤亡。

请勿将产品安装在可能发生冷凝的位置。



此产品不适合在室内涉水设施区域安装或使用（包括但不限于室内游泳馆、室内水上乐园、有热水浴缸的房间、桑拿房、蒸汽浴室以及室内溜冰场）。

请勿将其安装在不结实或有潜在危险的表面，比如布线或铺设管道的地方。如果您不确定如何安装支架，请联系拥有相应资质的专业安装人员。安装支架时，应确保遵循当地建筑规范的要求。

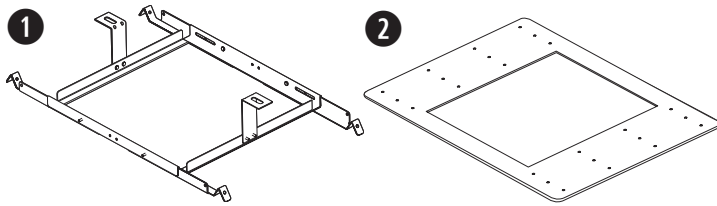


在安装此扬声器和相关的安装硬件时，请勿对产品本身或其周边使用任何类型的烃类溶剂、润滑剂或清洗剂。暴露于此类物质中可能会导致产品塑料材料老化，从而导致产品开裂和坠落危险。

安装选件

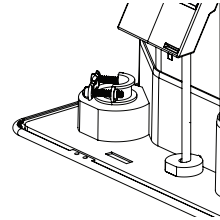
安全选件和配件

- ❶ 可调节桥板 (内含)
- ❷ 螺丝孔型桥板 (可选)

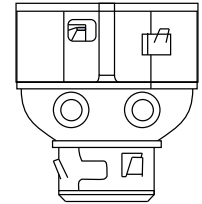


导管配件

如果使用柔性金属导管, 请与 3/8 英寸导管配件或 3/8 英寸双 (双工) 接口配合使用。
注意: 不提供导管配件。



3/8 英寸单管



3/8 英寸双管/循环

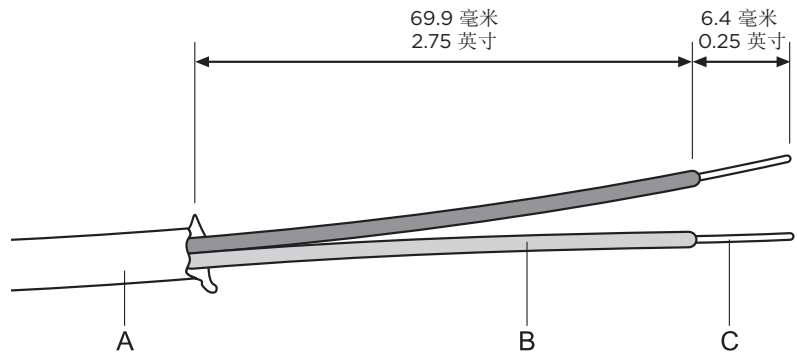
扬声器接线

使用直接输入端子

扬声器线路接线至扬声器端子的线规要求: 仅使用 18 AWG (0.8 平方毫米) 至 14 AWG (2.5 平方毫米) 规格的接线。

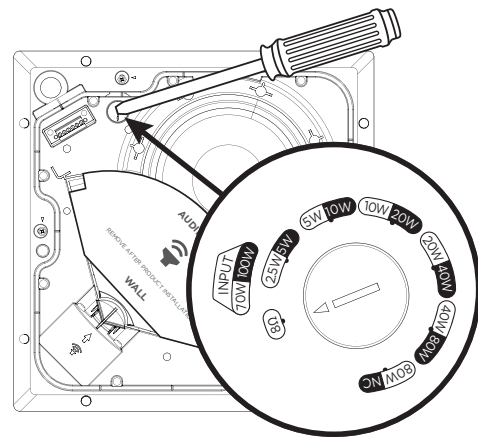
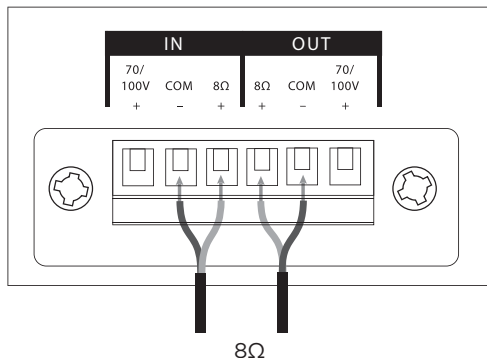
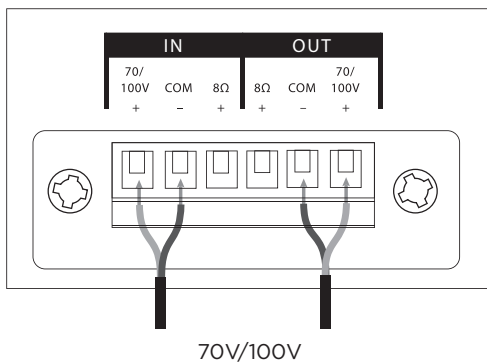
准备接线

剪掉外部保护皮 (A) 和一些绝缘保护皮 (B), 露出足够长的裸线 (C), 以便连接到端子。



扬声器设置

接线图



70V						8Ω
2.5W*	5W	10W	20W	40W	80W	
5W*	10W	20W	40W	80W	NC**	
100V						

* 出厂默认设置

** NC: 无连接 (不使用)

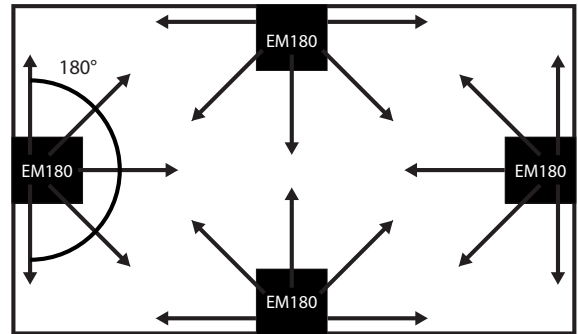
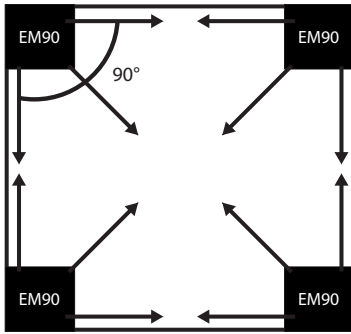
变压器抽头设置

转动设置抽头。使用平头螺丝刀。

准备安装

在角落安装 EM90。请参阅下面的房间布置顶视图。

沿墙面安装 EM180。请参阅下面的房间布置顶视图。



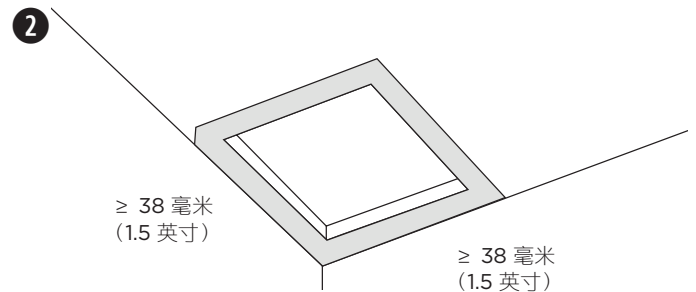
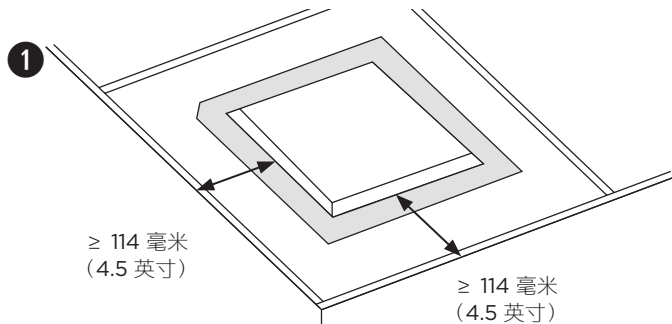
注意： 在安装完成之前，应妥善保留 PhaseGuide 保护板。

扬声器布置

在墙-吸顶界面附近安装扬声器时，为悬置网罩预留充足空间。网罩必须与吸顶表面齐平，以使磁铁能够完全接合。

使用附带的模板，确保扬声器切口尺寸和放置位置适当。

1. 在吊顶板上安装 EM90 或 EM180：在距离每面墙至少 114 毫米（4.5 英寸）的位置放置扬声器，为桥板预留空间。
2. 在硬质天花板上安装 EM90 或 EM180：放置纸板模板，使其与角落 (EM90) 或墙面 (EM180) 齐平。与各墙面之间留下至少 38 毫米（1.5 英寸）的距离，以便放置网罩。



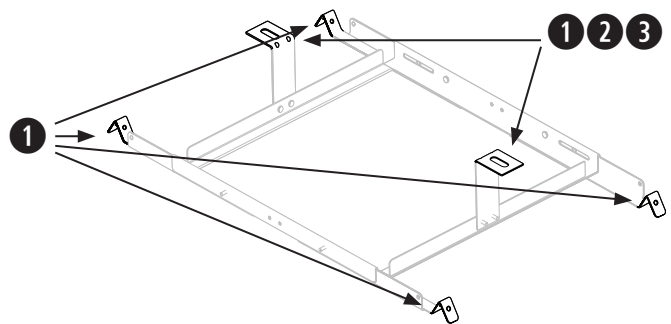
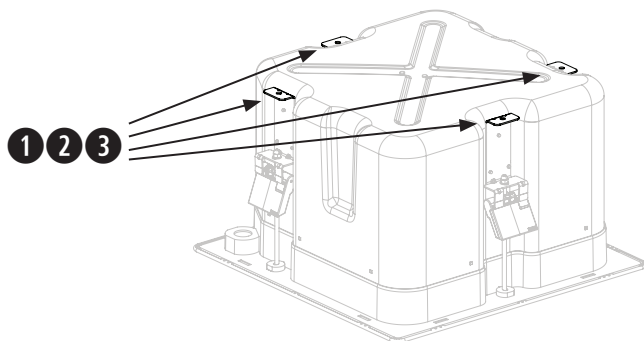
注意： 安装在靠近烹饪台的位置（例如在商业烹饪环境中）使扬声器可能直接暴露在烹饪油、蒸汽、烟雾或高温下，可能会降低扬声器的性能或可靠性。

使用安全绳索

某些地区的施工规范要求使用辅助方法将扬声器固定到支撑结构，以提供额外的安全保障。选择符合当地建筑规范和条例的安装位置、方法和硬件。

Bose 建议使用 (1) 一根保险钢丝、(2) 一根安全绳，或 (3) 一根螺纹杆作为辅助固定装置。有关安全连接点，请参阅下图。

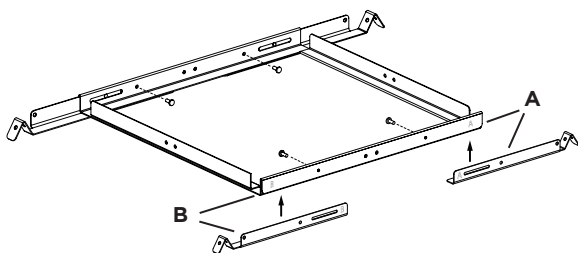
对于任何所需辅助固定装置，请遵循制造商的说明。



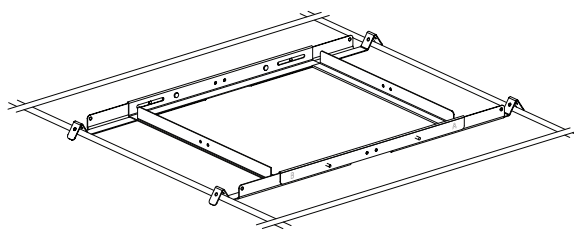
组装桥板

1. 使用内含的四颗螺钉将四个滑轨连接到中心机架。从桥板内部插入螺钉。将滑轨和中心机架标记为 A 和 B，以确定正确的连接点。
2. 调节桥板滑轨的长度，使滑轨牢固地靠在吸顶格栅或衬板上。
注意：桥板支持 56 厘米至 66 厘米（22 英寸至 26 英寸）间距。
3. 拧紧将桥板滑轨固定到中心机架的四颗螺钉。
4. 可选：将 L 型支架连接到桥板上，为保险钢丝、安全绳或螺纹杆创建附加连接点。有关详细信息，请参阅第 61 页的**使用安全绳**。
注意：将 L 型支架放在一个不阻碍扬声器上的锚柱完全接合桥板的位置。

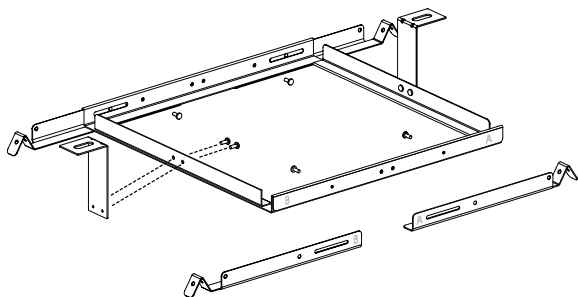
1



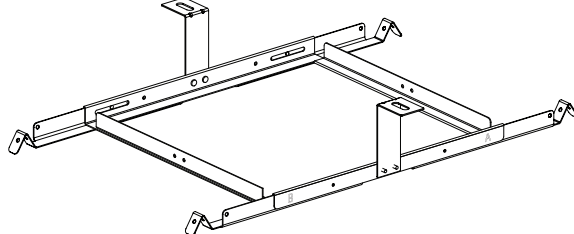
2



3



4

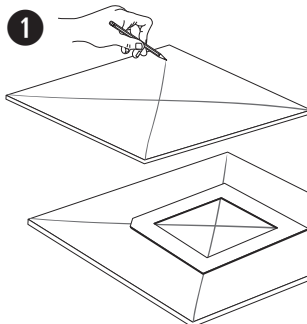


准备声学吊顶板

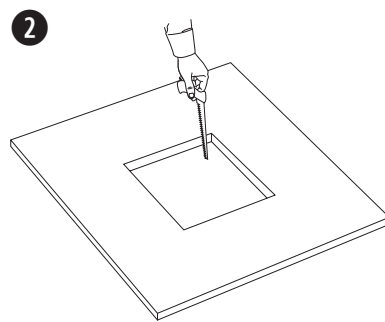
切割吊顶板

1. 卸下吊顶板，然后使用模板在吊顶板上描画扬声器孔。为了将模板放在吊顶板的中心位置，可连接对角线画一个“X”，然后利用交叉点使模板居中。
2. 在吊顶板上切割一个孔。

1



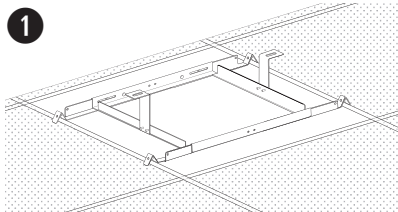
2



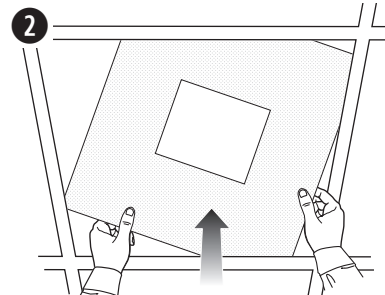
安装桥板

1. 将组装的桥板穿过吊顶龙骨放置。必要时，调节桥板，使滑轨靠在吊顶龙骨上。
2. 更换天花板上的吊顶板。

1



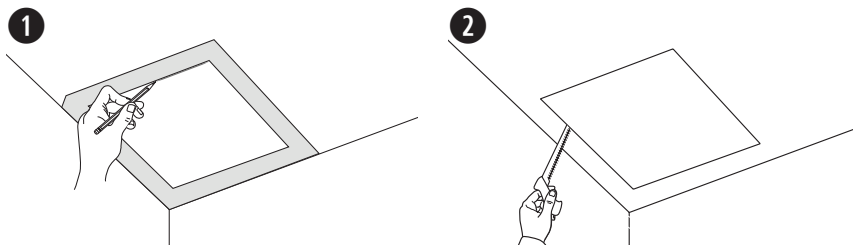
2



准备硬顶天花板（现有结构）

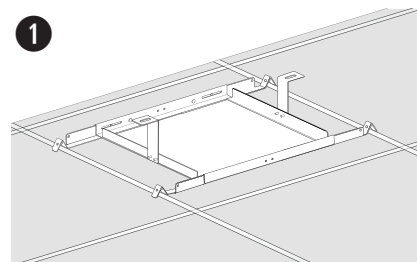
切割天花板

1. 使用模板将孔描到天花板上。
2. 在天花板上切割一个孔。



安装桥板

1. 将组装的桥板穿过孔，并将桥板穿过吊顶龙骨或吊顶装饰板。必要时，调节桥板，使滑轨靠在吊顶龙骨或吊顶装饰板上。



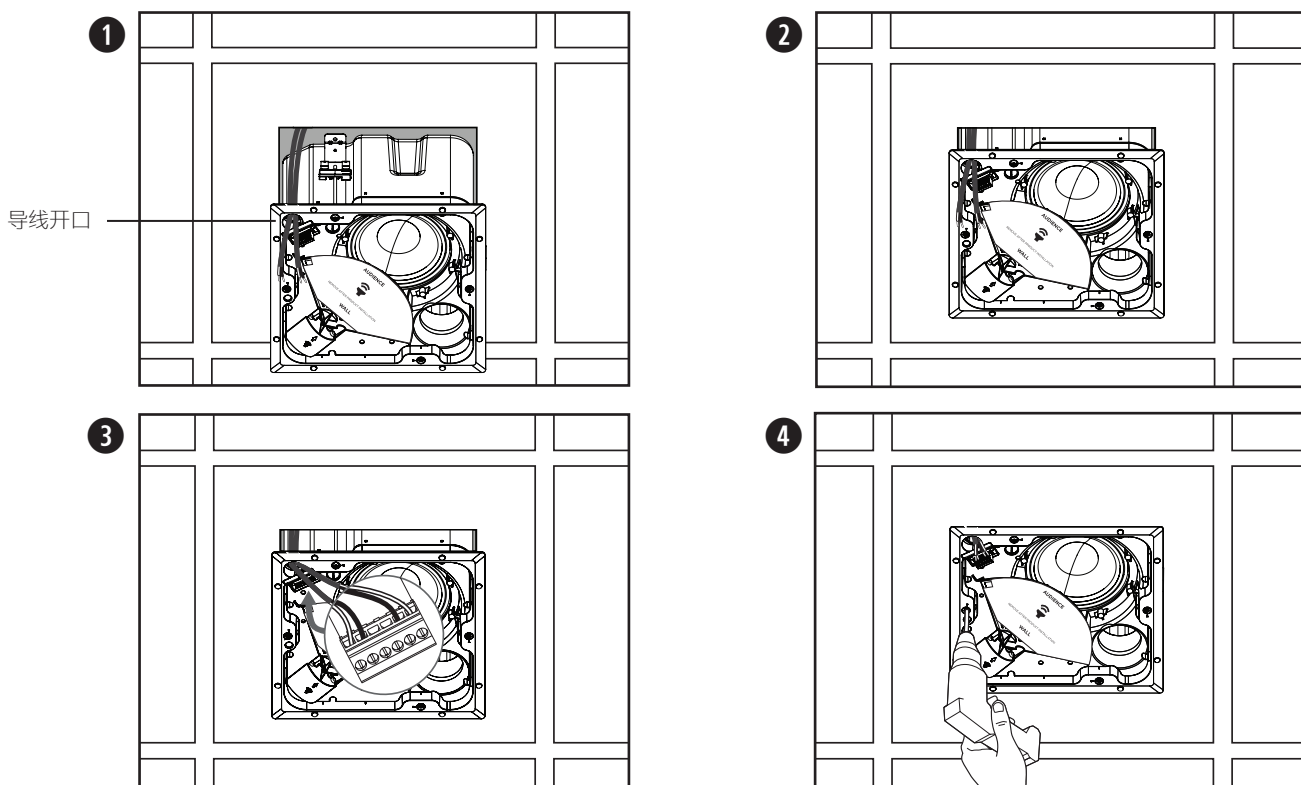
安装扬声器

1. 将音响线穿过导线开口（靠近接线端）。
2. 将扬声器穿过孔插入桥板。松开扬声器上的手柄之前，请确保锚栓与桥板接合。
3. 拔下凤凰插，接线，然后将接口重新插入扬声器。有关接线信息，请参阅第 60 页的**扬声器接线**。
4. 紧固锚臂螺钉，固定扬声器。如果使用电钻，请设为低扭矩设置。



警告：过度紧固螺钉可能会导致锚柱安装点或天花板损坏，从而导致坠落危险。

5. 丢掉 PhaseGuide 保护板

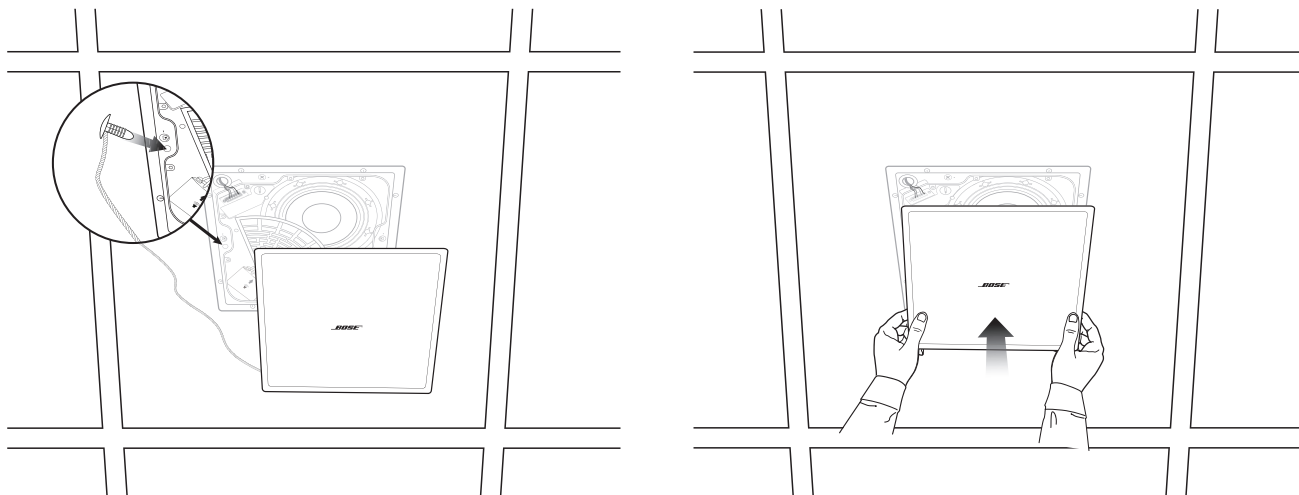


使用螺丝孔型桥板在硬顶天花板上安装（新结构）

有关螺丝孔型桥板的信息，请参阅 **PRO.BOSE.COM** 上的 EdgeMax Rough-in Pan 安装指南。安装好螺丝孔型桥板后，请参阅第 63 页的**安装扬声器**。

安装网罩

将安全绳销插入扬声器中的孔。用双手将网罩定位在扬声器上。网罩通过磁力固定在扬声器上。



安全与法规遵从

Bose EdgeMax EM90 和 EM180 扬声器已通过测试并符合以下规格和用途：

列出的扬声器符合 ANSI/UL 1480A-2016，适合商业和安全专业用途

通用 - UL 类别 UEAY，文件号 S 5591 控制号 3N89

适合在室内潮湿的场所中使用，符合 UL 1480A。有关重要安装限制，请参阅本安装指南第 2 页上的警告和注意事项。

UL-2043 (2013)，在空气调节场所中安装的分离性产品及其附件的防火测试及可见烟雾释放。适合在空气调节（微高压）场所中使用。

适合使用 1 级、2 级或 3 级接线方法安装，符合 NFPA 70 美国国家电气法规 (2017) 第 640 条

NFPA 70 美国国家电气法规 (2017)，第 300-22(c) 条。

NFPA 90-A (2015)，空调和通风系统的安装，第 4.3.11.2.6.5 节

EdgeMax EM90 和 EM180 扬声器是根据以下有关组合系统的欧洲监管规范中规定的要求进行设计的：

已根据 IEC 60268-5，2007 进行测试

线规

EdgeMax EM90 和 EM180 扬声器仅设计为与 18 AWG (0.8 平方毫米) 至 14 AWG (2.5 平方毫米) 规格的接线一起使用。

請閱讀並保管好所有安全和使用指示。

本產品僅限由專業安裝人員安裝！本文件包含本產品採一般固定式安裝系統時的相關基本安裝資訊與安全基準，以供專業安裝人員參考。在嘗試進行安裝以前，請先閱讀本文件與所有的安全警告。

請勿自行維修本產品。如需任何維修服務，請洽授權服務中心、安裝人員、技術人員、經銷商或分銷商。若要聯絡 Bose Professional 或尋找附近的經銷商或分銷商，請造訪 PRO.BOSE.COM。

1. 閱讀這些指示。
2. 保留這些指示。
3. 注意所有警告。
4. 遵守所有指示。
5. 請勿在水邊使用此裝置。
6. 只能用乾布清潔。
7. 請勿堵塞任何通風口。請按照製造商的指示安裝。
8. 請勿在熱源附近安裝，如暖氣片、熱調節裝置、火爐或可發熱的其他裝置（包括擴大機）。
9. 只能使用製造商指定的附件/配件。



警告/小心



本產品含有磁性材料。請諮詢醫生以瞭解這是否會影響您的植入式醫療設備。

- 所有 Bose 產品的安裝必須遵守當地、州、聯邦和行業規範。安裝人員有責任確保揚聲器和安裝系統的裝設都符合適用的法規，包括當地的建築法規和規定。安裝本產品前，請諮詢擁有司法權的當地政府機關。
- 以不安全的方式安裝或高處懸吊任何重物都可能導致嚴重的人身傷害或死亡，以及財產損失。安裝人員須負責評估其應用情形中所採用之任何安裝方式是否穩定可靠。只有具備適當五金部件知識與安全安裝技術的專業安裝人員，才可嘗試安裝任何高處懸吊揚聲器。
- 請勿將產品安裝於可能結露的位置。
- 本產品並不適合安裝或用於室內有水設施區域（包括但不限於：室內泳池、室內戲水區、熱水浴池、桑拿、蒸氣室與室內溜冰場等）。
- 請勿安裝在不穩定或有潛在危險的表面，比如佈線或鋪設管道的地方。如果您不確定如何安裝本支架，請聯絡合格的專業安裝人員。請務必遵循當地建築法規安裝支架。
- 僅限使用 Bose 隨附或指定用於 EdgeMax EM90 及 EM180 揚聲器的五金部件與配件。如需相容配件的相關資訊，請參閱 PRO.BOSE.COM 上的產品技術資料表。
- 未經授權請勿擅自改裝本產品。
- 安裝期間，請勿於本揚聲器和相連五金部件之上或附近使用任何種類的碳氫溶劑、潤滑劑或清潔劑。接觸該等物質會使塑膠材質劣化，進而導致破裂並產生墜落危險。
- 請僅使用乾布來清潔揚聲器。請勿使揚聲器接觸肥皂、去污劑、礦物油、酒精或其他清潔劑或化學品。
- 網罩配備一次性安全短繩針。


產品額定值：

輸入電壓：70V/100V

阻抗：8 Ω, 125 W

電流或功率：(70V)：2.5W、5W、10W、20W、40W、80W；(100V)：5W、10W、20W、40W、80W

法規資訊

 本產品符合所有適用的歐盟指令要求。符合聲明全文載於：www.Bose.com/compliance。



此符號表示本產品不得以家庭廢棄物方式丟棄，而應將其送到合適的收集設施進行回收。妥善處理及回收有助於保護天然資源、人類健康和環境。如欲獲得有關處理和回收本產品的更多資訊，請聯絡當地政府機關、廢棄物處理服務或您購買本產品的商家。

台灣 BSMI 限用物質含有情況標示

設備名稱：揚聲器		型號：778844、777189				
限制物質及其化學符號						
裝置	鉛 (Pb)	汞 (Hg)	鎘 (Cd)	六價鉻 (Cr+6)	多溴化聯苯 (PBB)	多溴聯苯醚 (PBDE)
印刷電路板	-	○	○	○	○	○
金屬零件	-	○	○	○	○	○
塑膠零件	○	○	○	○	○	○
揚聲器	-	○	○	○	○	○
連接線	-	○	○	○	○	○

備註 1：「○」表示限制物質的濃度百分比含量未超過參考值。
備註 2：「-」表示限制物質屬於豁免項目範圍。

製造日期：序號第八位數代表製造年份；「7」代表 2007 或 2017。

中國進口商：Bose Electronics (Shanghai) Company Limited, 中國 (上海) 自由貿易試驗區，日櫻北路 353 號，9 號廠房 C 部

歐盟進口商：Bose Products B.V., Gorslaan 60, 1441 RG Purmerend, The Netherlands

墨西哥進口商：Bose de México, S. de R.L. de C.V., Paseo de las Palmas 405-204, Lomas de Chapultepec, 11000 México, D.F.進口商與服務資訊：+5255 (5202) 3545

台灣進口商：Bose 台灣分公司，台灣 104 台北市民生東路三段 10 號 9 樓 A1 室。電話號碼：+886-2-2514 7977

Bose 和 EdgeMax 是 Bose Corporation 的商標。

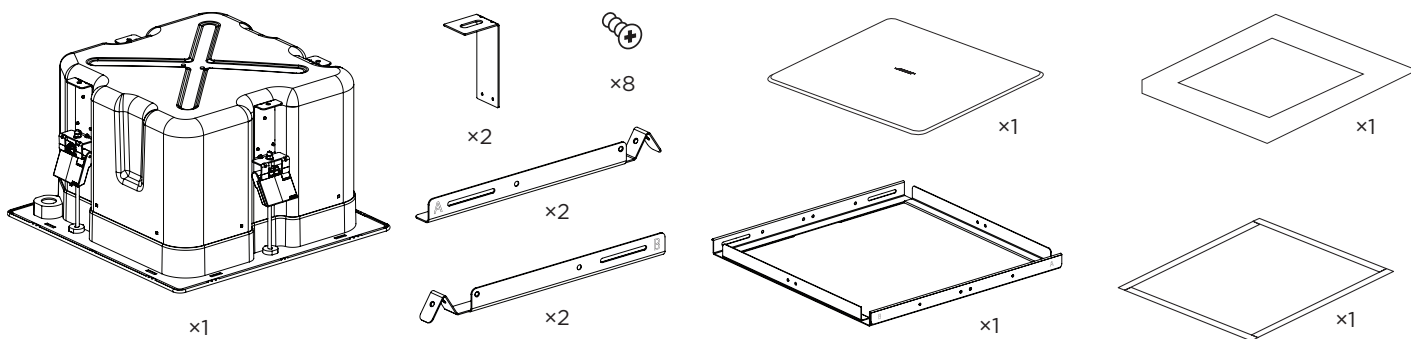
Bose Corporation 總部：1-877-230-5639

©2019 Bose Corporation。未經事先書面許可，不得複製、修改、散佈或以其他方式使用本資料的任何部分。

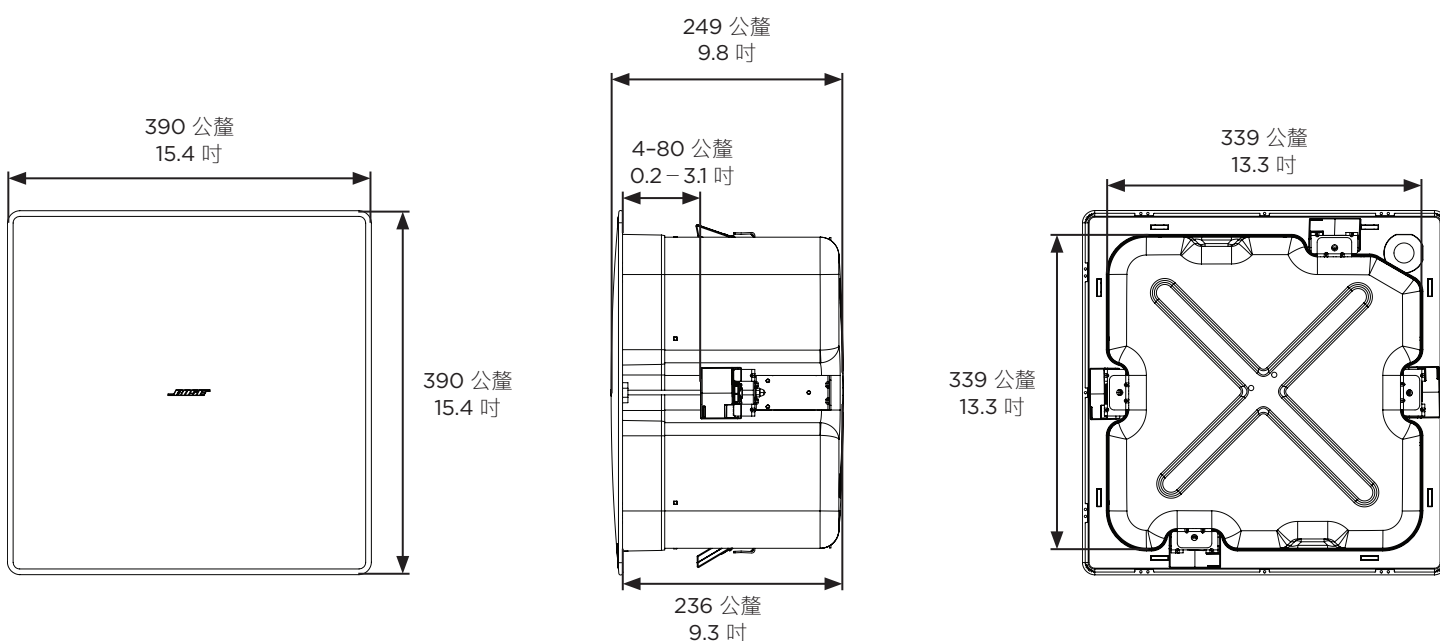
保固資訊

此產品享有有限保固。
如需保固詳細資料，請造訪 PRO.BOSE.COM。

包裝內容物



產品尺寸



技術規格

如需其他規格資訊，請參閱 PRO.BOSE.COM 上的 EdgeMax EM90 及 EM180 技術資料表。

外觀	
產品尺寸	網罩：390 公釐 × 390 公釐 (15.4 吋 × 15.4 吋)
	外殼：339 公釐 × 339 公釐 (13.3 吋 × 13.3 吋)
	背殼深度：236 公釐 (9.3 吋)
孔洞	345 公釐 × 345 公釐 (13.6 吋 × 13.6 吋)
天花板最大厚度	80 公釐 (3.1 吋)
淨重，揚聲器加網罩	10.1 公斤 (22.2 磅)
淨重，天花板跨橋板	1.4 公斤 (3.1 磅)
裝運重量	12.5 公斤 (27.6 磅)

重要安裝資訊



安裝人員有責任確保揚聲器和安裝系統的裝設都符合適用的法規，包括當地的建築法規和規定。安裝本產品前，請諮詢擁有司法權的當地政府機關。



安裝人員須負責確保揚聲器安裝的安全。若未正確安裝揚聲器，則可能導致損害、傷害或死亡。

請勿將產品安裝於可能結露的位置。

本產品並不適合安裝或用於室內有水設施區域 (包括但不限於：室內泳池、室內戲水區、熱水浴池、桑拿、蒸氣室與室內溜冰場等)。



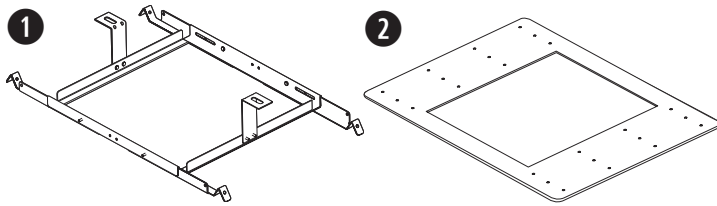
請勿安裝在不穩定或有潛在危險的表面，比如佈線或鋪設管道的地方。如果您不確定如何安裝本支架，請聯絡合格的專業安裝人員。請務必遵循當地建築法規安裝支架。

安裝期間，請勿於本揚聲器和相連五金部件之上或附近使用任何種類的碳氫溶劑、潤滑劑或清潔劑。接觸該等物質會使塑膠材質劣化，進而導致破裂並產生墜落危險。

安裝選項

安裝選項與配件

- ❶ 可調式天花板跨橋板 (隨附)
- ❷ 放樣板 (選配)



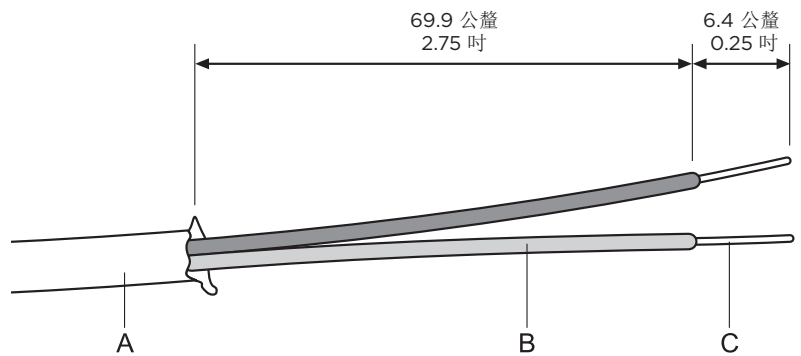
揚聲器接線

使用直接輸入端子

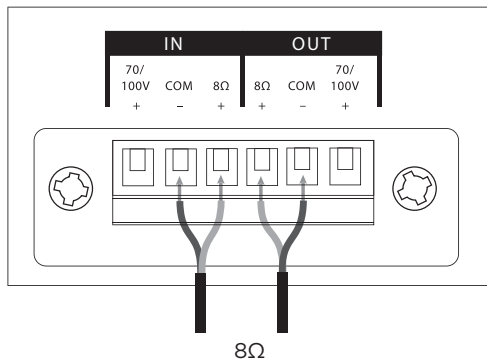
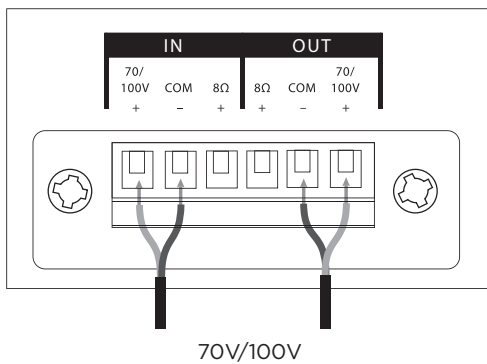
從揚聲器接線至揚聲器端子的線規要求：僅可使用 18 AWG (0.8 mm²) 至 14AWG (2.5 mm²) 的線材。

接線準備

剝除外護層 (A) 及一部分的絕緣層 (B)，露出足夠的裸線 (C) 以連接至端子。



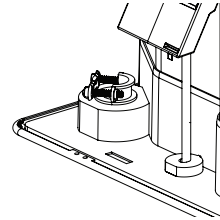
接線圖



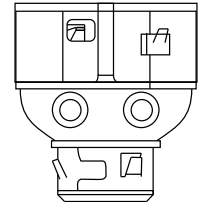
導管接頭

若使用金屬軟管，請搭配使用 3/8 吋導管接頭或 3/8 吋雙連接器 (雙工連接器)。

備註：本產品並未隨附導管接頭。

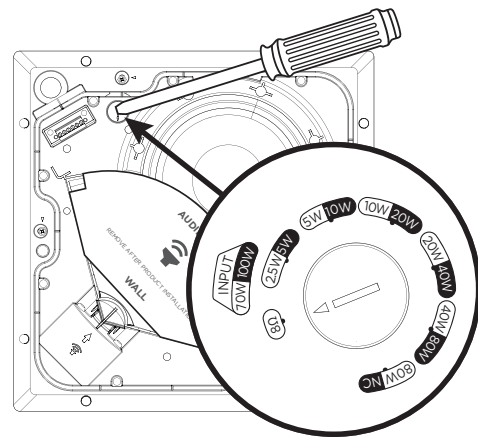


3/8 吋單工連接器



3/8 吋雙工連接器/
Loop 連接器

揚聲器設定



70V						8Ω
2.5W*	5W	10W	20W	40W	80W	
5W*	10W	20W	40W	80W	NC**	
100V						

* 原廠預設

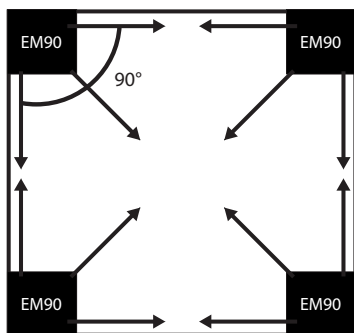
** NC: 無連線 (請勿使用)

變壓器抽頭設定

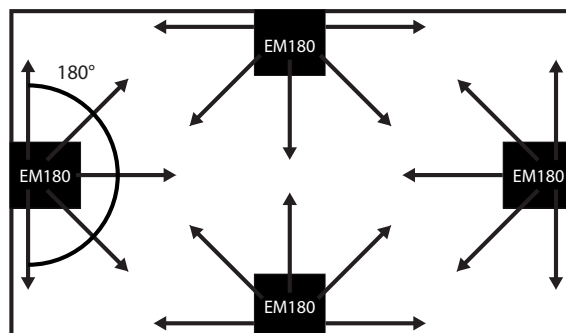
轉動以設定抽頭功率。請使用平頭螺絲起子。

安裝準備

將 EM90 安裝於角落。請參見下方的房間擺設位置俯視圖。



將 EM180 安裝於牆沿。請參見下方的房間擺設位置俯視圖。



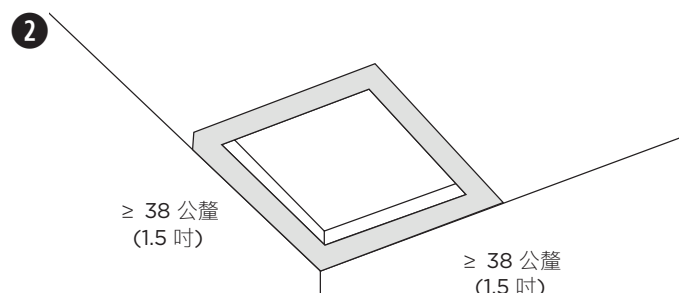
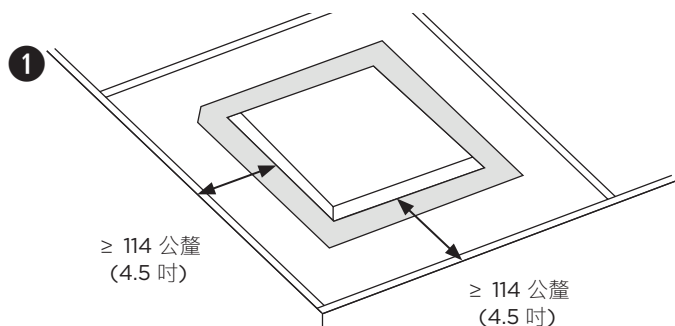
備註： 在安裝完成前，請勿拆除 phase guide 保護蓋。

揚聲器位置

將揚聲器安裝在牆-天花板交界處附近時，請為網罩預留充足的空間。網罩必須與天花板表面平齊，以便讓磁鐵完全吸附。

請使用隨附的定位卡來確保為揚聲器孔洞及裝設位置，預留適當的空間大小。

1. 將 EM90 或 EM180 安裝於天花板板材內：揚聲器孔洞應距每一面牆至少 114 公釐 (4.5 吋)，以預留足夠空間安裝天花板跨橋板。
2. 將 EM90 或 EM180 安裝於硬式天花板：將紙板定位卡貼齊角落 (EM90) 或牆面 (EM180)。如此即可於每一面牆預留至少 38 公釐 (1.5 吋) 距離，以供安裝網罩。



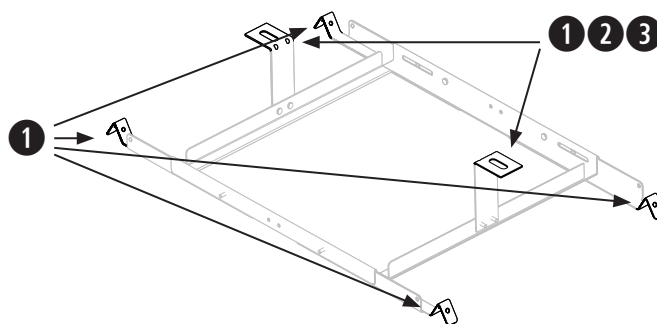
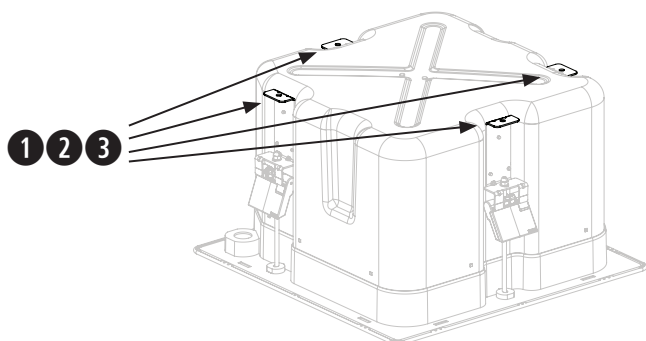
備註： 若揚聲器安裝的位置靠近料理檯面，可能會直接接觸烹調油脂、水蒸氣、煙霧或高溫 (例如商業料理環境)，這可能會降低揚聲器的效能或可靠性。

使用安全纜線

部分地區的建築法規要求使用輔助方式固定揚聲器以增強結構支撐力，加強安全性。請遵守當地的建築法規和規定，選擇合適的安裝位置、方式和五金部件。

Bose 建議使用 (1) 安全索、(2) 安全纜索或 (3) 螺栓來作為輔助固定機制。請參見下圖，瞭解安全安裝點。

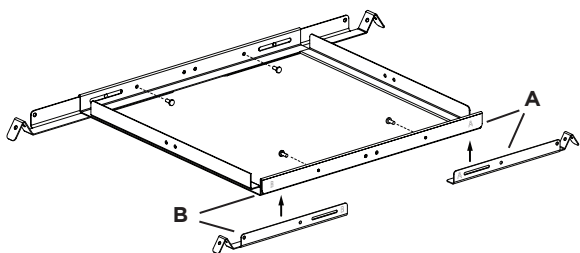
請遵守製造商的指示來施作任何輔助固定機制。



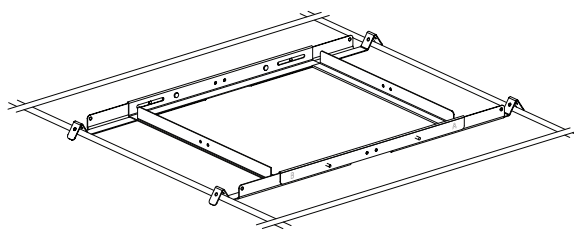
組裝天花板跨橋板

1. 請使用四顆隨附的螺絲，將四條軌道固定於中央框架。請從天花板跨橋板內側鎖入螺絲。軌道及中央框架上的 A 與 B 標記，可供您識別正確的連接點。
2. 調整天花板跨橋板軌道的長度，使軌道緊貼天花板框架或角材。
備註：天花板跨橋板支援 56 至 66 公分 (22 至 26 吋) 的間距。
3. 鎖緊四顆螺絲以將天花板跨橋板軌道固定於中央框架上。
4. 選配：在天花板跨橋板加裝 L 型支架作為額外的支撐點，用來安裝安全索、安全纜索或螺栓。如需更多資訊，請參見第 68 頁「使用安全纜索」。
備註：請將 L 型支架裝於不會妨礙揚聲器腳架完全密合天花板跨橋板的位置。

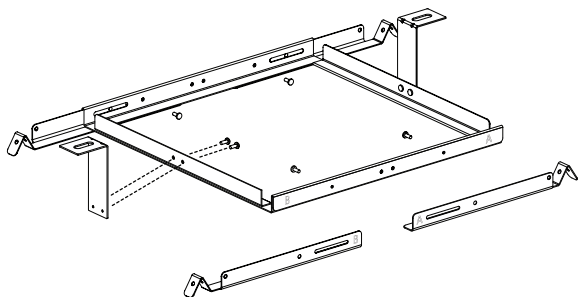
1



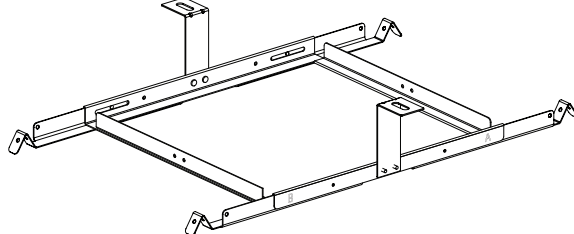
2



3



4

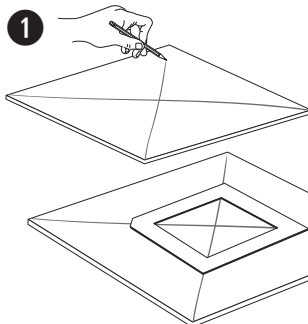


吸音天花板板材準備工作

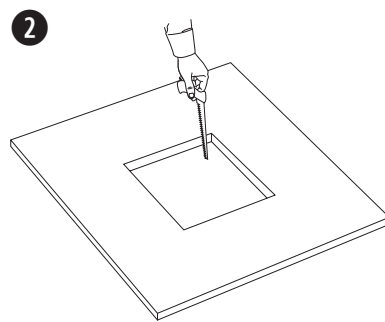
裁切天花板板材

1. 取下天花板板材，然後使用定位卡將揚聲器孔洞描繪於板材上。為將定位卡置於板材正中央，請自四個角畫出交叉的對角線，利用交叉點將定位卡置中。
2. 在板材上裁切出一個孔洞。

1



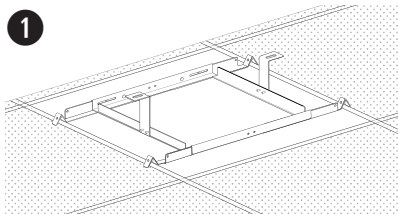
2



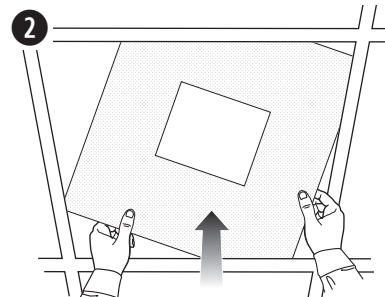
安裝天花板跨橋板

1. 將組裝好的天花板跨橋板架在天花板框架上。可視情況需要調整天花板跨橋板，使軌道緊貼天花板框架。
2. 將板材裝回天花板。

1



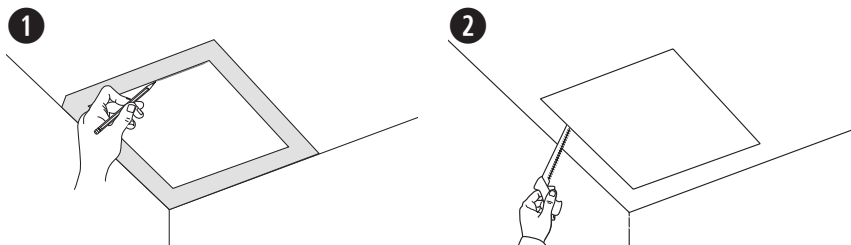
2



硬式天花板 (現有工程) 準備工作

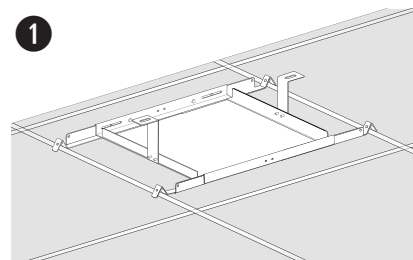
裁切天花板

1. 使用定位卡將孔洞描繪於天花板上。
2. 在天花板上裁切出一個孔洞。



安裝天花板跨橋板

1. 將組裝好的天花板跨橋板穿過孔洞中，然後將天花板跨橋板架在天花板框架或天花板角材上。可視情況需要調整天花板跨橋板，使軌道緊貼天花板框架或天花板角材。



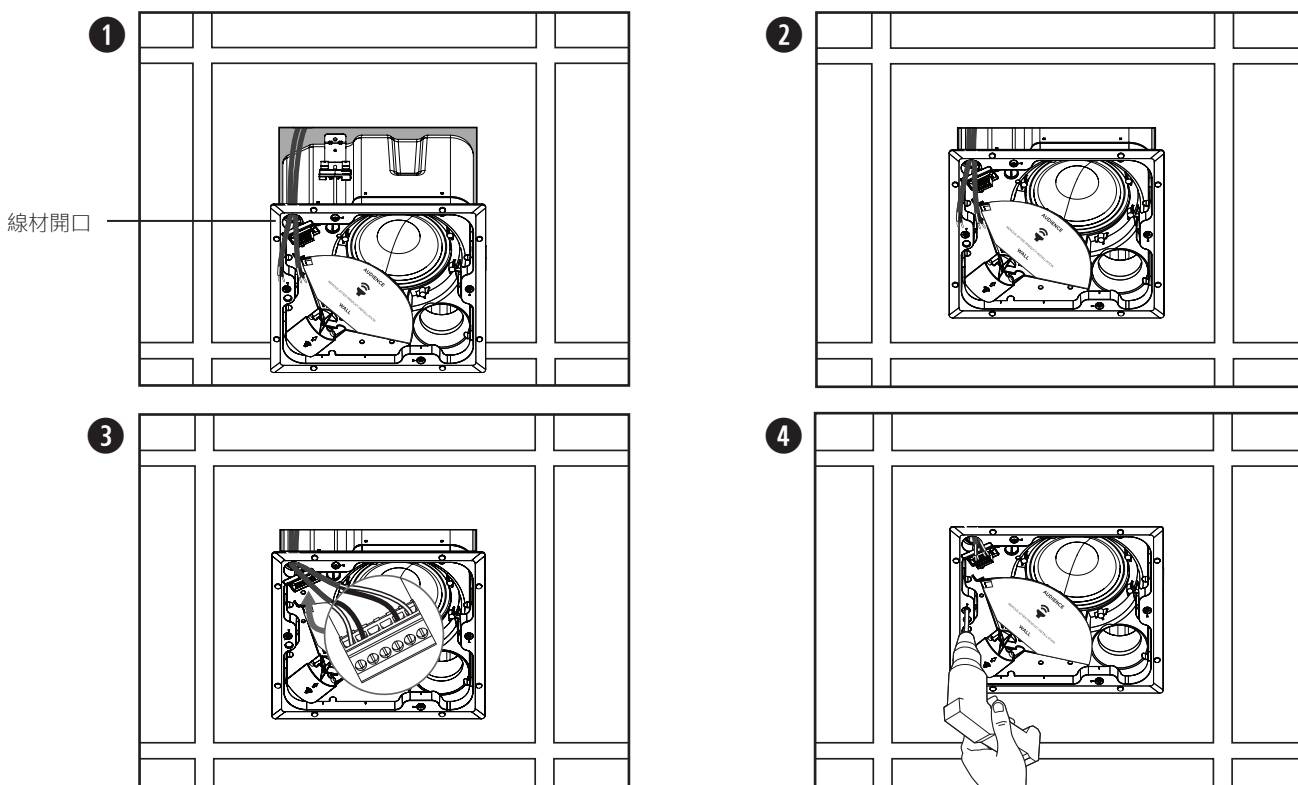
安裝揚聲器

1. 將音頻連接線穿過線材開口 (位於配線端子旁)。
2. 將揚聲器穿過孔洞並置入天花板跨橋板。在放開揚聲器之前，請務必確認錨座已確實與天花板跨橋板接合。
3. 取下連接器，將連接線接入連接器，然後將連接器重新插入揚聲器。如需瞭解配線資訊，請參見第 67 頁「揚聲器接線」。
4. 鎖緊錨座支臂螺絲以固定揚聲器。如果使用電動工具，請調整為低扭力設定。



警告： 螺絲過度鎖緊可能會對錨座安裝點或天花板造成損壞，進而導致墜落危險。

5. 取下 phase guide 保護蓋。

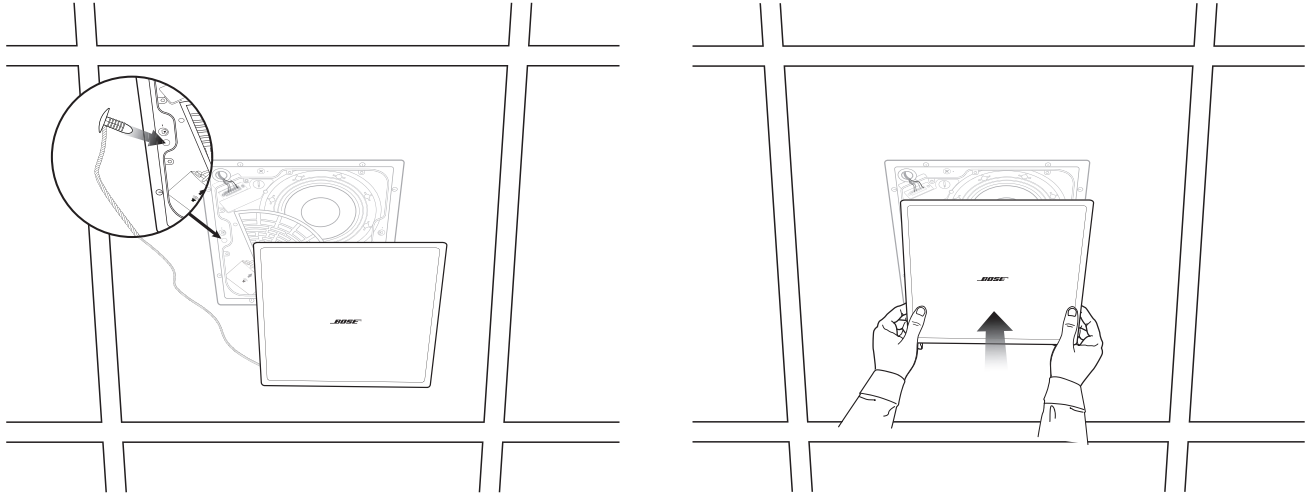


使用放樣板在硬式天花板安裝揚聲器 (新建工程)

如需安裝放樣板的相關資訊，請參閱 **PRO.BOSE.COM** 上的《EdgeMax 放樣板安裝指南》。放樣板安裝完成之後，請參見第 70 頁「安裝揚聲器」。

安裝網罩

將安全短繩針插入揚聲器的孔洞。請使用雙手將網罩對準揚聲器。網罩會以磁力吸附在揚聲器上。



安全與規章遵循

Bose EdgeMax EM90 與 EM180 揚聲器通過測試，符合下列規格及用途：

名列 ANSI/UL 1480A-2016 適合商業及安全專業用途的揚聲器

一般用途 - UL Category UEAY，案號 S 5591，控制號 3N89

適合室內潮濕地點使用，符合 UL 1480A 標準；但請參見本安裝指南第 2 頁的「警告與小心」，以瞭解重要的安裝限制。

UL-2043, 2013 年，《Fire Test and Visible Smoke Release for Discrete Products and their Accessories Installed in Air Handling Spaces》(裝於空氣調節空間之分離性產品及其配件的防火測試及可視煙霧釋放)。適合用於空氣調節 (給氣通風系統) 空間。

根據 NFPA 70 2017 年《National Electric Code》(美國國家電氣規程) 第 640 條，適合使用 Class 1、Class 2 或 Class 3 配線方式安裝

NFPA 70, 2017 年，《National Electric Code》(美國國家電氣規程) 第 300-22(c) 條。

NFPA 90-A, 2015 年，《Installation of Air Conditioning and Ventilation Systems》(空調與排氣系統安裝)，第 4.3.11.2.6.5 項

EdgeMax EM90 與 EM180 揚聲器的設計符合下列歐洲組合系統法規所定義之要求：

經測試符合 IEC 60268-5, 2007 年

線規

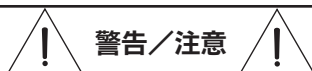
EdgeMax EM90 與 EM180 揚聲器的設計僅可使用 18 AWG (0.8 mm²) 至 14 AWG (2.5 mm²) 的線材。

安全上の留意項目および使用方法をよく読み、いつでも参照できるように保管してください。

本製品は、専門の施工業者による設置のみを想定した製品です。本書は、一般的な固定設置システムにおける本製品を対象に、基本的な設置と安全上のガイドラインを施工業者様に提供します。設置する前に、本書とすべての安全に関する警告をお読みください。

ご自身で製品を修理しないでください。修理が必要な際には、正規サービスセンター、ボーズ認定の施工業者、技術者、ディーラーまたはディストリビューターにお問い合わせください。Bose Professionalに連絡する、またはお近くのディーラーまたはディストリビューターを検索するには、**PRO.BOSE.COM**にアクセスしてください。

1. このガイドをよくお読みください。
2. 必要な時にご覧になれるよう、本書を保管してください。
3. すべての注意事項に留意してください。
4. すべての指示に従ってください。
5. この製品を水の近くで使用しないでください。
6. 清掃の際は乾いた布を使用してください。
7. 通気孔は塞がないでください。製造元の指示に従って設置してください。
8. ラジエータ、暖房送風口、ストーブ、その他の熱を発生する装置(アンプを含む)の近くには設置しないでください。
9. 必ず製造元より指定された付属品、あるいはアクセサリのみをご使用ください。



警告/注意



この製品には磁性材料が含まれています。体内に埋め込まれている医療機器への影響については、医師にご相談ください。

- ボーズ製品を設置する際は、必ず地域と業界指導の安全基準に従ってください。各地域の建築に関する条例や規制など、適用される全ての法律に従って本製品およびそのマウントシステムを設置することは施工業者の責任です。本製品を設置する前に、各地域の管轄官庁に相談してください。
- 重量物の不安定な設置や頭上吊り下げは、重傷または死亡、および設備機器等への損傷の原因となる可能性があります。適用する設置方法の信頼性を評価することは、施工業者の責任です。適切な部品および安全な設置技術の知識を持つ専門の施工業者のみが、天井へのスピーカーの設置を行うことができます。
- 結露の可能性がある場所に製品を設置しないでください。
- この製品は屋内の水を使用するエリア(屋内プール、屋内ウォータパーク、浴室、サウナ、スチームサウナ、屋内スケートリンクなど)での設置または使用を意図していません。
- 設置面の強度が不十分な場合や、設置面の裏側に電線や配管などが隠れている場合は、本製品を設置しないでください。ブラケットの取り付け方法がわからない場合は、専門業者に作業を依頼してください。ブラケットを取り付ける際は、建築関連法規に従ってください。
- EdgeMax EM90/EM180スピーカーには、本体付属またはボーズ指定の取り付け部品およびアクセサリのみをご使用ください。使用可能なアクセサリの詳細については、**PRO.BOSE.COM**に用意されている本製品のテクニカルデータシートを参照してください。
- 許可なく製品を改造しないでください。
- 設置時に炭化水素を基材とする一切の溶剤、潤滑剤、または洗剤をこのスピーカーや取り付け部品に対して、またはその周辺に使用しないでください。製品がこうした物質に触れると、プラスチック素材の劣化につながり、ひび割れが生じて落下事故を招くおそれがあります。
- スピーカーの汚れ落としには、必ず乾いた布をお使いください。スピーカーを石けん、洗剤、鉱油、アルコールなどの洗剤、化学薬品に触れる可能性がある場所で使用しないでください。
- 単体で使用する安全ストラップピンがグリルに付属しています。

仕様:

入力電圧: 70V/100V

インピーダンス: 8 Ω, 125 W

電流またはパワー: (70V): 2.5W, 5W, 10W, 20W, 40W, 80W (100V):

5W, 10W, 20W, 40W, 80W

規制に関する情報



This product conforms to all applicable EU directive requirements. The complete declaration of conformity can be found at: www.bose.com/compliance.



This symbol means the product must not be discarded as household waste, and should be delivered to an appropriate collection facility for recycling. Proper disposal and recycling helps protect natural resources, human health and the environment. For more information on disposal and recycling of this product, contact your local municipality, disposal service, or the shop where you bought this product.

製造日: シリアル番号の8桁目の数字は製造年を表します。「7」は2007年または2017年です。

中国における輸入元: Bose Electronics (Shanghai) Company Limited, Part C, Plant 9, No. 353 North Riyang Road, China (Shanghai) Pilot Free Trade Zone

EUにおける輸入元: Bose Products B.V., Gorslaan 60, 1441 RG Purmerend, The Netherlands

メキシコにおける輸入元: Bose de México, S. de R.L. de C.V., Paseo de las Palmas 405-204, Lomas de Chapultepec, 11000 México, D.F. 輸入元およびサポート情報: +5255(520) 3545

台湾における輸入元: Bose Taiwan Branch, 9F-A1, No. 10, Section 3, Minsheng East Road, Taipei City 104, Taiwan. Phone Number: +886-2-2514 7676

BoseおよびEdgeMaxは、Bose Corporationの商標です。

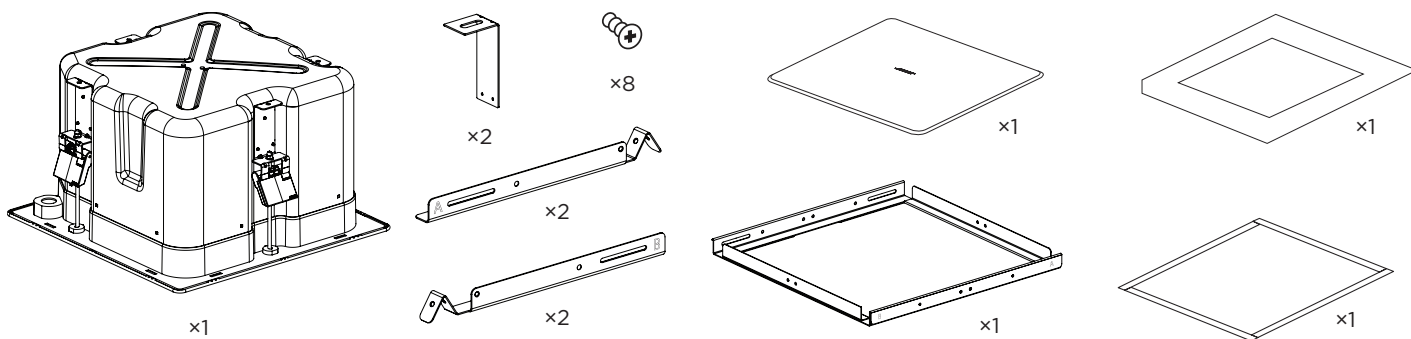
Bose Corporation: 1-877-230-5639

©2019 Bose Corporation. 本書のいかなる部分も、書面による事前の許可のない複製、変更、配布、その他の使用は許可されません。

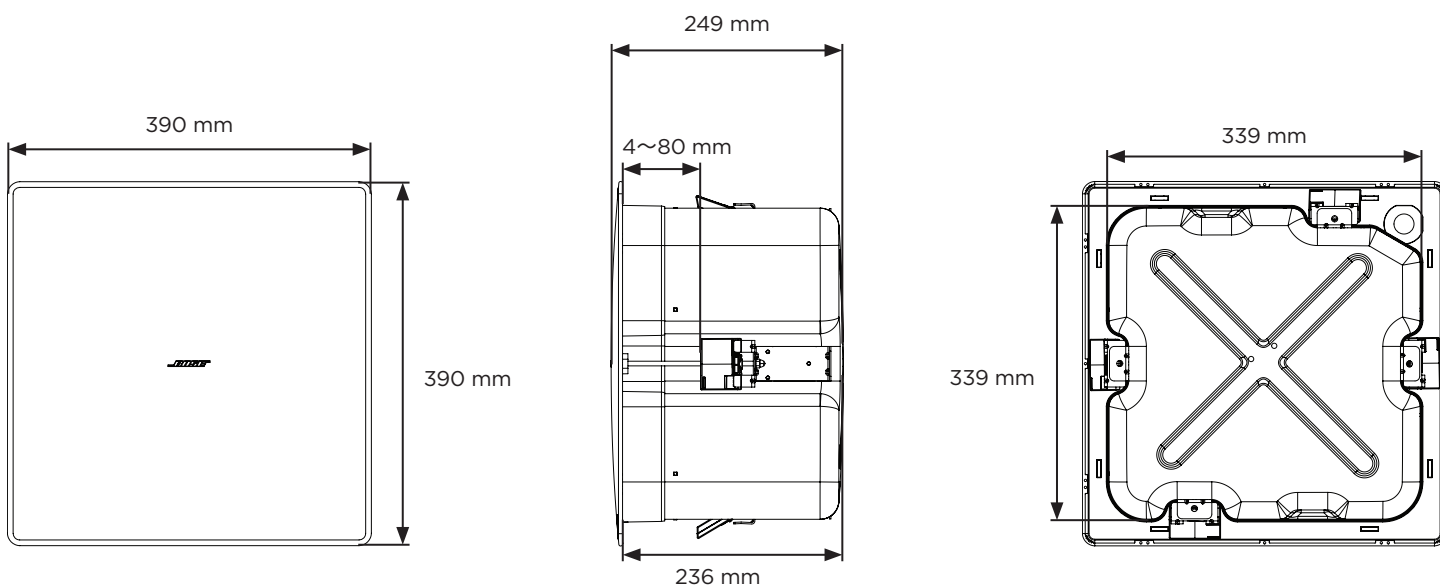
保証情報

保証の内容および条件につきましては、付属の保証書をご覧ください。保証の詳細については、**PRO.BOSE.COM**をご覧ください。

パッケージ内容



製品寸法



技術仕様

詳細な仕様は、PRO.BOSE.COMに用意されているEdgeMax EM90/EM180のテクニカルデータシートを参照してください。

物理的仕様	
製品寸法	グリル: 390 mm × 390 mm
	エンクロージャー: 339 mm × 339 mm
	バックカン奥行き: 236 mm
開口寸法	345 mm × 345 mm
最大対応板厚	80 mm
質量(スピーカーとグリル)	10.1 kg
質量(タイルブリッジ)	1.4 kg
梱包質量	12.5 kg

設置に関する重要情報



各地域の建築に関する条例や規制など、適用される全ての法律に従って本製品およびそのマウントシステムを設置することは施工業者の責任です。本製品を設置する前に、各地域の管轄官庁に相談してください。

スピーカー設置時の安全確保は、施工業者の責任で実施してください。スピーカーの設置が不適切だった場合、損傷、人身への傷害、死亡事故等の原因となるおそれがあります。

結露の可能性がある場所に製品を設置しないでください。



この製品は屋内の水を使用するエリア(屋内プール、屋内ウォータールパーク、浴室、サウナ、スチームサウナ、屋内スケートリンクなど)での設置または使用を意図していません。

設置面の強度が不十分な場合や、設置面の裏側に電線や配管などが隠れている場合は、本製品を設置しないでください。ブラケットの取り付け方法がわからない場合は、専門業者に作業を依頼してください。ブラケットを取り付ける際は、建築関連法規に従ってください。

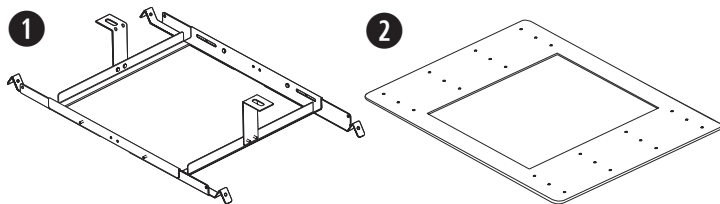


設置時に炭化水素を基材とする一切の溶剤、潤滑剤、または洗剤をこのスピーカーや取り付け部品に対して、またはその周辺に使用しないでください。製品がこうした物質に触れると、プラスチック素材の劣化につながり、ひび割れが生じて落下事故を招くおそれがあります。

設置オプション

設置オプションとアクセサリ

- ① アジャスタブルタイルブリッジ (同梱)
- ② ラフィンパン (オプション)



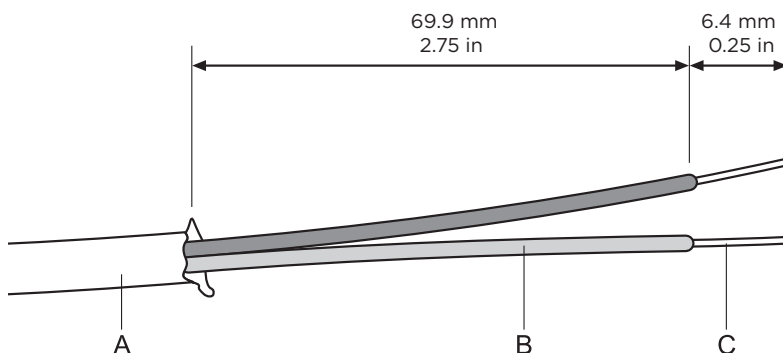
スピーカーの配線

直結入力端子を使用する

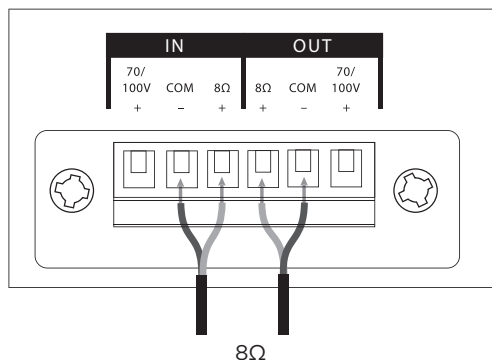
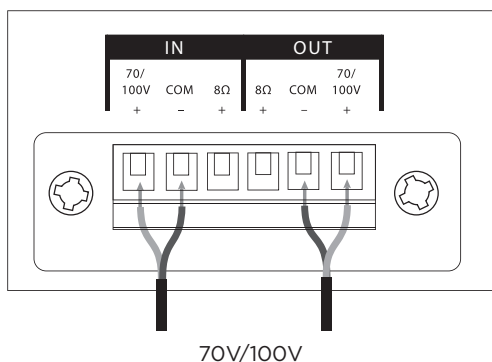
スピーカー配線からスピーカー端子までのワイヤージョイント要件: 使用するのは、18 AWG (0.8 mm²) から 14 AWG (2.5 mm²) のケーブルのみです。

ケーブルを準備する

外側被覆 (A) と絶縁体 (B) をはがし、端子に接続できる十分な長さの裸線 (C) を露出します。

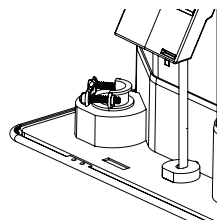


接続図

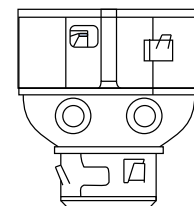


導管器具の設置

フレキシブルメタル導管を使う場合は、3/8インチのシングル導管か3/8インチの複式導管コネクタを使ってください。
注: 導管器具は付属していません。

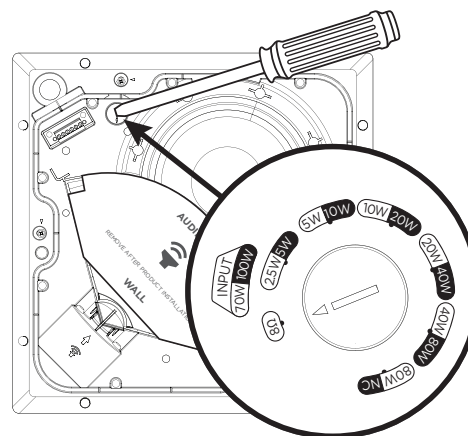


3/8インチシングル導管



3/8インチ複式導管

スピーカーの設定



70V						8Ω
2.5W*	5W	10W	20W	40W	80W	
5W*	10W	20W	40W	80W	NC**	
100V						

*工場出荷時設定

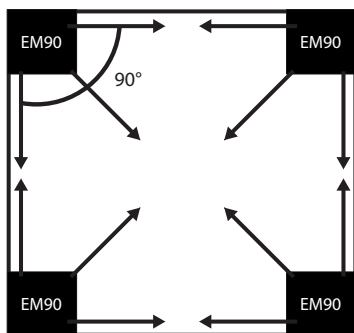
**NC: 未接続 (使用しない)

トランスタップの設定

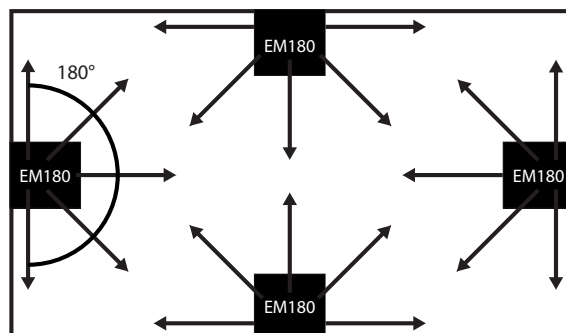
回転させてタップを設定します。マイナスドライバーを使用します。

設置の準備

EM90は隅に設置します。設置の上面図を下に示します。



EM180は壁際に設置します。設置の上面図を下に示します。



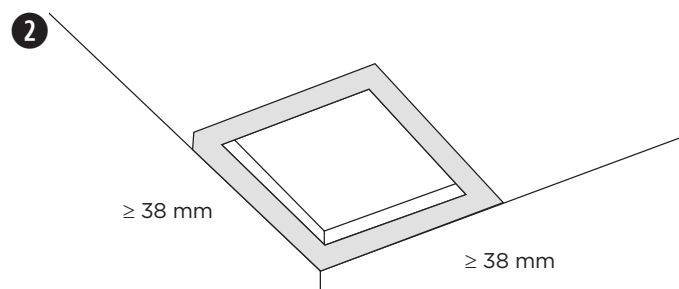
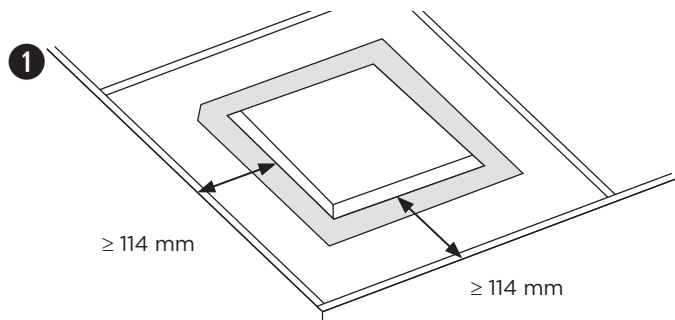
注: 設置作業中は必ずフェーズガイドプロテクターを使用してください。

スピーカーの設置

スピーカーを壁の近くに設置する場合は、グリルのはみ出しを考慮して十分なスペースを確保します。磁石でしっかり固定されるように、グリルと天井面を揃えます。

同梱のテンプレートをを使用して、スピーカーの開口と配置の正しい寸法を確認します。

- EM90/EM180を天井のタイルに設置する場合: スピーカーの開口部が各壁から最低114 mm以上離れるように設置して、タイルブリッジ用のスペースを確保します。
- EM90/EM180を表面が硬い天井に設置する場合: ボール紙のテンプレートを隅(EM90)または壁際(EM180)に沿って当てます。このようにして各壁から最低でも38 mm以上離れるように設置して、グリル用のスペースを確保します。



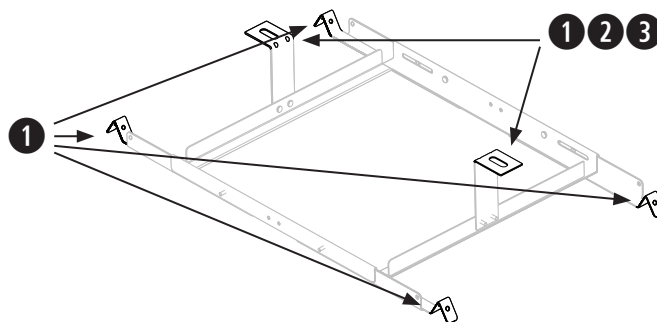
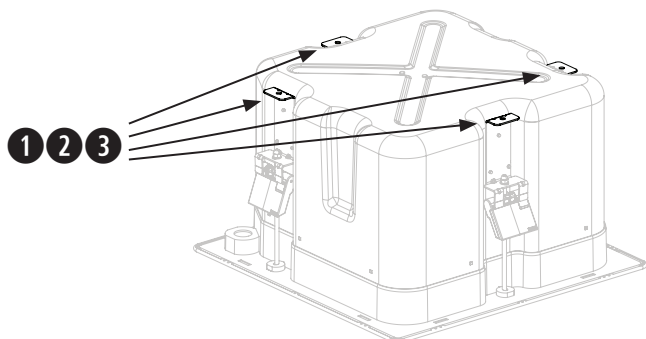
注: 商業店舗の厨房など、食用油、湯気、揮発物、高熱に直接触れる可能性がある加熱調理スペース近くにスピーカーを設置すると、スピーカーの性能や信頼性が低下することがあります。

安全ケーブルの使用

お住まいの地域により、安全性の強化のため、スピーカーの構造物に対する固定に二次的な方法も用いることが法令により義務づけられている場合があります。適用される建築基準や規制を満たす設置場所や設置方法、器具を選択してください。

ボーズでは、安全確保のための補助的な器具として(1)落下防止ワイヤー、(2)安全ケーブル、または(3)ねじ棒のいずれかの使用をお勧めしています。安全器具の取り付けポイントについては、下の図を参照してください。

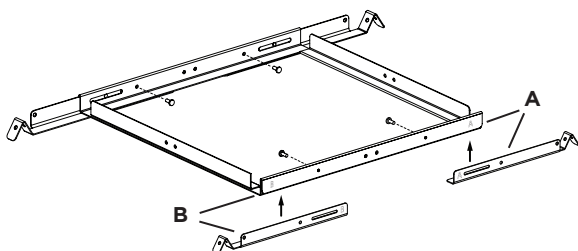
取り付ける補助的な安全器具については、製造元の指示に従ってください。



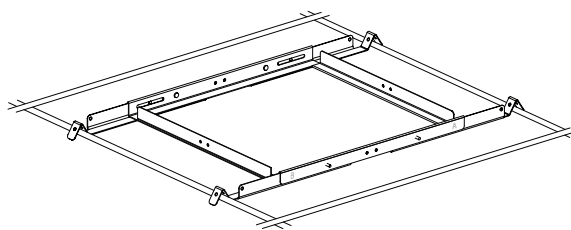
タイルブリッジを組み立てる

- 4本のレールを、同梱のネジ4本を使って、センターフレームに取り付けます。ネジはタイルブリッジの内側から挿入します。レールとセンターフレームにはAおよびBと刻印されており、正しい取り付けポイントがわかるようになっています。
- レールが天井のグリッドや支えにしっかり固定されるように、タイルブリッジレールの長さを調節します。
注: タイルブリッジは56~66 cmの隙間に対応しています。
- 4本のネジを締めて、タイルブリッジレールをセンターフレームに固定します。
- オプション: タイルブリッジにL型ブラケットを取り付けて、落下防止ワイヤー、安全ケーブル、またはねじ棒のための接続ポイントを作ります。詳しくは、75ページの「安全ケーブルの使用」を参照してください。
注: L型ブラケットを取り付けるときは、スピーカーのアンカーとタイルブリッジが完全に噛み合うのを妨げない位置にします。

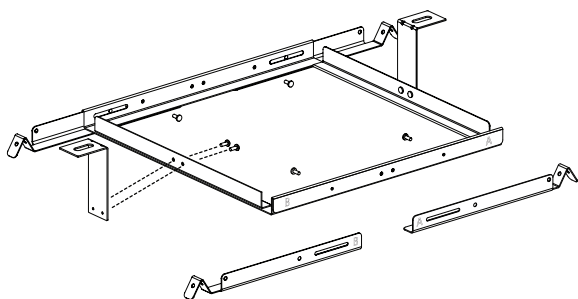
①



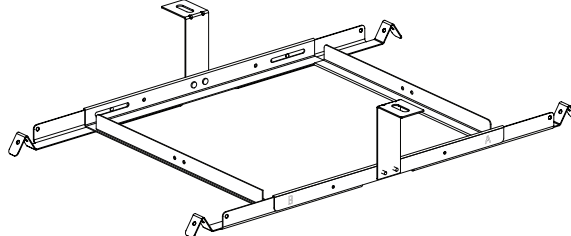
②



③



④

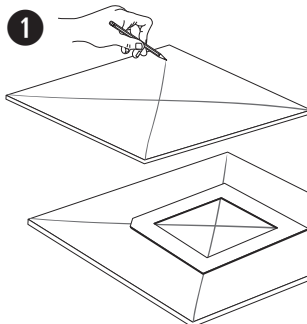


天井タイルの準備

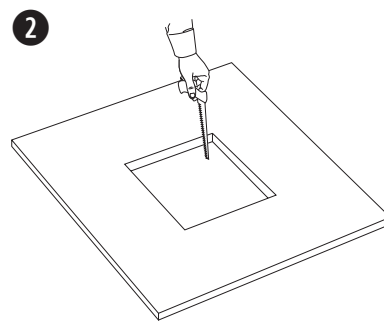
天井タイルを切り抜く

- タイルを取り外し、テンプレートを使ってスピーカーの穴の位置を示す線をタイルに引きます。タイルの中央にテンプレートを合わせるには、角を対角線で結んで「X」を書き、交点を使います。
- タイルに穴を開けます。

①



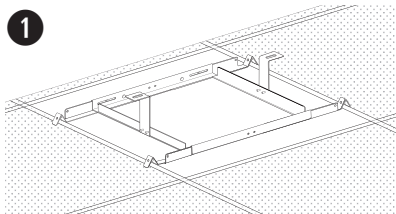
②



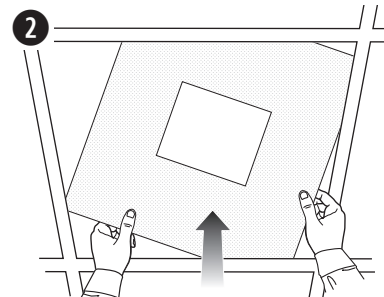
タイルブリッジを設置する

- 組み立てたタイルブリッジを天井グリッドに渡します。必要に応じてタイルブリッジを調節して、レールが天井のグリッドにしっかり引っかかるようにします。
- タイルを天井に戻します。

①



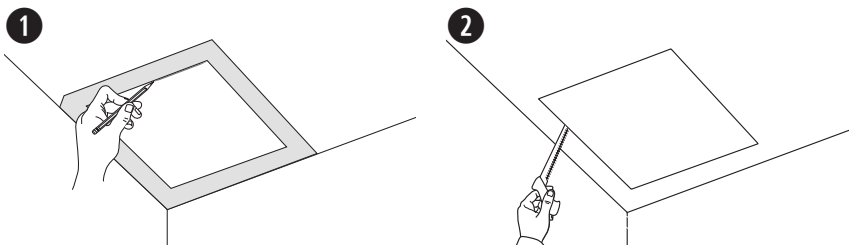
②



硬い天井の準備(既存の建築物)

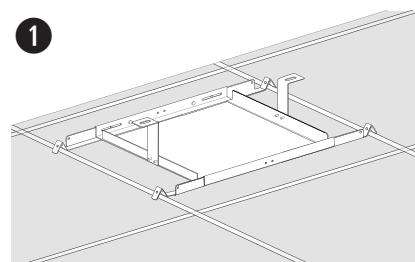
天井を切り抜く

1. 同梱のテンプレートを利用して、天井に開ける穴を示す線を引きます。
2. 天井に穴を開けます。



タイルブリッジを設置する

1. 組み立てたタイルブリッジを穴から差し込み、タイルブリッジを天井のグリッドまたは支えに渡します。必要に応じてタイルブリッジを調節して、レールを天井のグリッドまたは支えにしっかり引っかけます。

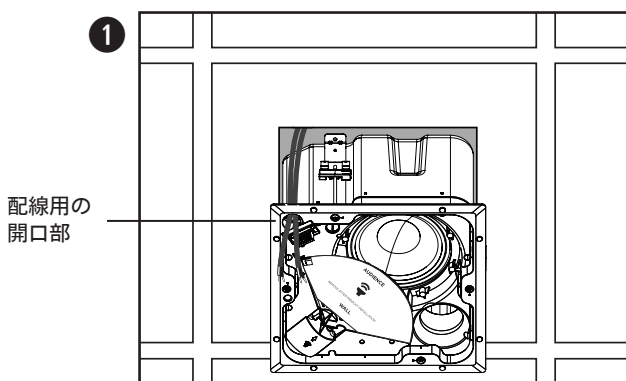


スピーカーの取り付け

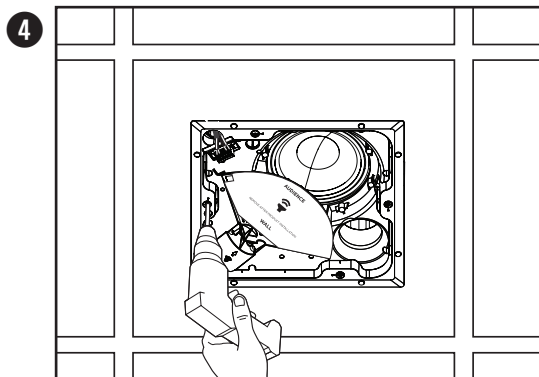
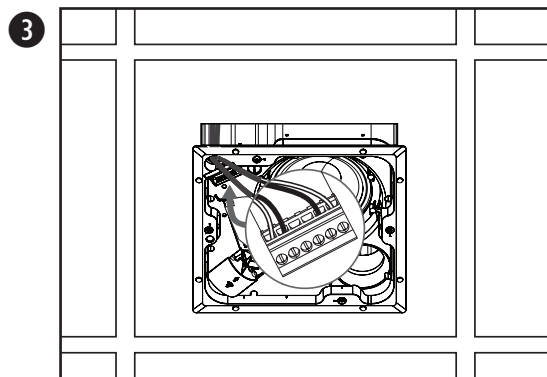
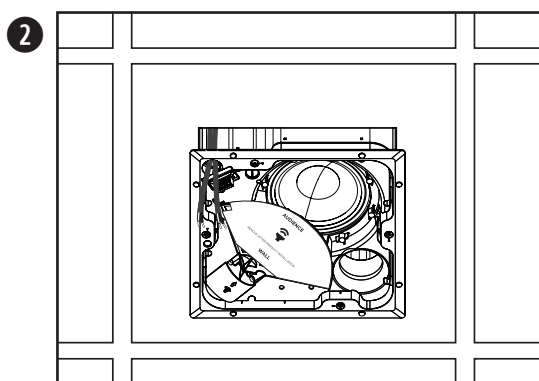
1. オーディオケーブルを配線用の開口部(配線端子の横)に通します。
2. スピーカーを穴からタイルブリッジに差し込みます。アンカーとタイルブリッジが噛み合ったのを確認してから、スピーカーから手を放します。
3. スピーカーからコネクタを外し、ケーブルを配線し、コネクタを元に戻します。配線について詳しくは、74ページの「スピーカーの配線」を参照してください。
4. アンカーアームのネジを締めてスピーカーを固定します。電動ドリルを使用する場合は、トルクを低く設定してください。
警告: ネジを強く締めすぎると、アンカーの取り付けポイントや天井が壊れて、落下事故を招くおそれがあります。



5. フェーズガイドプロテクターを破棄します。



配線用の
開口部

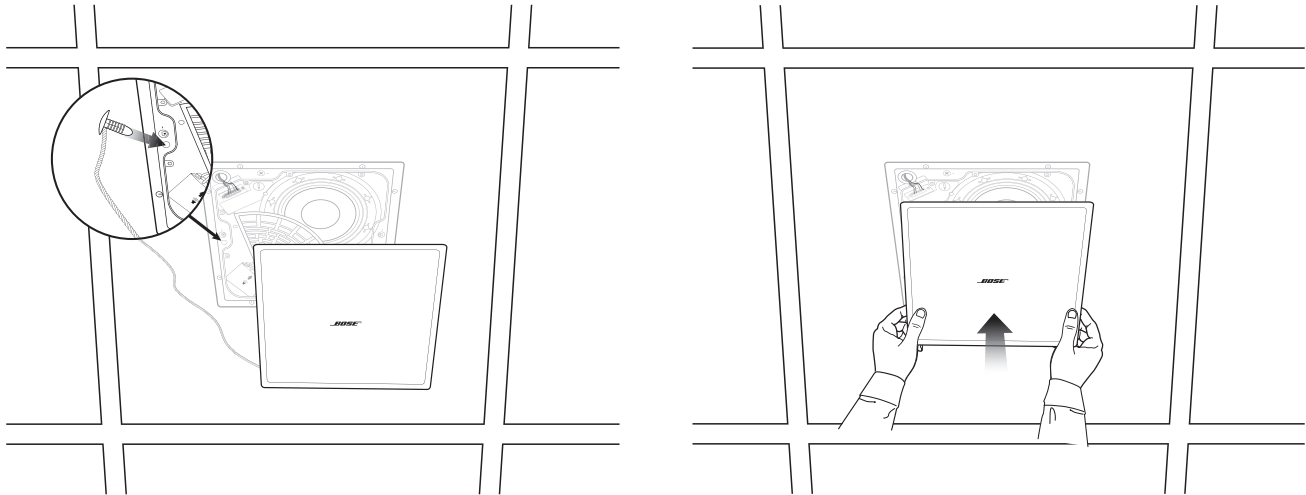


ラフィンパンを使用した硬い天井への設置(新築時)

ラフィンパンの取り付けに関して詳しくは、**PRO.BOSE.COM**に用意されているEdgeMax用ラフィンパンの設置情報を参照してください。ラフィンパンの取り付けが終わったら、77ページの「スピーカーの取り付け」を参照してください。

グリルを取り付ける

安全ストラップピンをスピーカーの穴に挿入します。両手を使って、スピーカーにグリルを取り付けます。グリルは磁石でスピーカーに固定されます。



安全上のコンプライアンス

Bose EdgeMax EM90/EM180 loudspeakersはテストに合格しており、次の仕様と使用例に準拠しています。

ANSI/UL 1480A-2016のSpeakers for Commercial & Safety Professional Useに準拠

一般用途向けの使用 - UL Category UEAY, File Number S 5591 Control Number 3N89

UL 1480Aに準拠した湿気のある屋内での使用に対応。ただし、設置に関する重要な制限事項について、この設置ガイドの2ページに記載されている警告および注意を参照してください。

UL-2043, 2013年, Fire Test and Visible Smoke Release for Discrete Products and their Accessories Installed in Air Handling Spaces空調(プレナム)空間内での使用に対応

NFPA 70、米国電気規格(2017年、第640条)に準拠したクラス1、クラス2、クラス3の配線による設置に対応

NFPA 70、米国電気規格、2017年、第300-22(c)条

NFPA 90-A, 2015年, Installation of Air Conditioning and Ventilation Systems、第4.3.11.2.6.5節

EdgeMax EM90/EM180 loudspeakersは、以下の欧州規制仕様(組合わせ式)で規定されている要件に適合するように設計されています。

IEC 60268-5(2007年)のテストを実施

ケーブルゲージ

EdgeMax EM90/EM180 loudspeakersで使用できるワイヤーは、18 AWG(0.8 mm²)~14 AWG(2.5 mm²)のみです。

المعلومات التنظيمية

يتوافق هذا المنتج مع كل متطلبات توجيه الاتحاد الأوروبي المعمول بها. ويمكنك العثور على البيان الكامل للتوافق على: www.bose.com/compliance



يشير هذا الرمز إلى أنه يجب عدم التخلص من المنتج مع النفايات المنزلية ويجب تسليمه إلى منشأة مناسبة لجمع النفايات بهدف إعادة تدويره. ويساعد التخلص السليم وإعادة التدوير في حماية الموارد الطبيعية وصحة الإنسان والبيئة. للحصول على مزيد من المعلومات حول التخلص من هذا المنتج وإعادة تدويره، اتصل بالبلدية المحلية أو خدمة التخلص من النفايات أو المتجر الذي اشتريته منه هذا المنتج.



يُرجى قراءة كل إرشادات السلامة والاستخدام والاحتفاظ بها.

هذا المنتج مصمم للتركيب بواسطة فني التركيب المتخصص فقط! يهدف هذا المستند إلى تزويد فني التركيب المحترفين بإرشادات التركيب والسلامة الأساسية لهذا المنتج في أنظمة التركيب الثابت النموذجية. يُرجى قراءة هذا المستند وكل تحذيرات السلامة قبل محاولة التركيب.

لا تحاول صيانة هذا الجهاز بنفسك. بل قم بإحالة جميع أعمال الصيانة إلى مراكز الخدمات أو متخصصي التركيب أو الفنيين أو الوكلاء أو الموزعين المعتمدين. للتواصل مع خبير من Bose أو للعثور على وكيل أو موزع بالقرب منك، تفضل بزيارة موقع الويب PRO.BOSE.COM.

تاريخ التصنيع: يشير الرقم الثامن في الرقم التسلسلي إلى سنة التصنيع؛ حيث يشير الرقم "7" إلى 2007 أو 2017.

المستورد في الصين: Bose Electronics (Shanghai) Company Limited, Part C, Pilot Free Trade Zone
Plant 9, No. 353 North Riyang Road, China (Shanghai)

المستورد في الاتحاد الأوروبي: Bose Products B.V., Gorslaan 60, 1441 RG Purmerend, The Netherlands

المستورد في المكسيك: Bose de México, S. de R.L. de C.V., Paseo de las Palmas 405-204, Lomas de Chapultepec, 11000 México, D.F
المستورد والخدمة: 3545 (5202) 5255+

المستورد في تايوان: Bose Taiwan Branch, 9F-A1, No. 10, Section 3, Minsheng East Road, Taipei City 104, Taiwan
إن Bose و EdgeMax هما علامتان تجاريتان لشركة Bose Corporation.

المقر الرئيسي لشركة Bose: 1-877-230-5639
حقوق الطباعة والنشر © للعام 2019 لشركة Bose Corporation. يجب عدم استنساخ أي جزء من هذا المستند أو تعديله أو توزيعه أو حتى استخدامه بدون إذن خطي مسبق.

معلومات حول الضمان

يأتي هذا المنتج مع ضمان محدود.

للحصول على تفاصيل حول الضمان، تفضل بزيارة PRO.BOSE.COM.



تحذيرات/تنبيهات

يحتوي هذا المنتج على مادة مغناطيسية. استشر طبيبك لمعرفة ما إذا كان سيؤثر ذلك في أي أجهزة طبية مزروعة في جسمك.



- يجب تركيب كل منتجات Bose وفقاً للوائح المحلية والحكومية والفيدرالية والصناعية. يتحمل فني التركيب المتخصص مسؤولية ضمان تنفيذ عملية تركيب مكبرات الصوت ونظام التثبيت بالتوافق مع كل القوانين المعمول بها، بما في ذلك قوانين ولوائح البناء المحلية. يرجى مراجعة السلطات المحلية صاحبة الاختصاص قبل تركيب هذا المنتج.
- قد يتسبب التثبيت أو التعليق العلوي غير الآمن لأي حمل ثقيل بوقوع إصابات خطيرة أو الوفاة، وتلف الممتلكات. وتقع على عاتق فني التركيب مسؤولية تقييم مدى موثوقية أي طريقة تثبيت يتم استخدامها. يجب ألا يحاول تركيب أي مكبرات صوت علوية التعليق إلا فنيو التركيب المحترفين الذين يتمتعون بالمعرفة اللازمة بالمعدات المناسبة وطرق التثبيت الآمنة.
- لا تقم بتركيب هذا المنتج في الأماكن التي قد يحدث فيها تكثيف.
- هذا المنتج غير مصمم للتركيب أو الاستخدام داخل مرافق المياه في الأماكن المغلقة (بما في ذلك، على سبيل المثال لا الحصر، حمامات السباحة الداخلية والحدايق المائية المغلقة وأحواض الاستحمام الساخنة وغرف الساونا وغرف البخار وحلبات التزلج الداخلية).
- لا تقم بالتركيب على أسطح غير قوية أو توجد خلفها مخاطر خفية، مثل الأسلاك الكهربائية أو أنابيب المياه. إذا لم تكن متأكدًا من كيفية تركيب الكتيبة، فاتصل بفني تركيب محترف مؤهل. احرص على تركيب الكتيبة وفقاً لقوانين البناء المحلية.
- لا تستخدم سوى المعدات والملحقات المضمنة أو المحددة من قبل Bose للاستخدام مع مكبرات الصوت EdgeMax EM90 و EM180. للحصول على معلومات حول الملحقات المتوافقة، راجع ورقة البيانات الفنية الخاصة بالمنتج على PRO.BOSE.COM.
- لا تقم بإجراء أي تعديلات غير مصرح بها على هذا المنتج.
- لا تستخدم أي نوع من المذيبات أو مواد التزيت أو مواد التنظيف القائمة على الهيدروكربون على مكبر الصوت هذا ومعدات التثبيت المرفقة أو حولها أثناء التركيب. فقد يؤدي التعرض لمواد مماثلة إلى تحلل المواد البلاستيكية، مما قد يتسبب بتصدع المنتج في وقت مبكر وبخطر السقوط.
- لا تنظف مكبرات الصوت إلا باستخدام قطعة قماش جافة. ولا تعرض مكبر الصوت للصابون أو المنظفات أو الزيوت المعدنية أو الكحول أو غيرها من مواد التنظيف أو المواد الكيميائية.
- تم تزويد الحاجز الشبكي بديوس أمان موصول بحبل مصمم للاستخدام مرة واحدة.

تصنيفات المنتج:

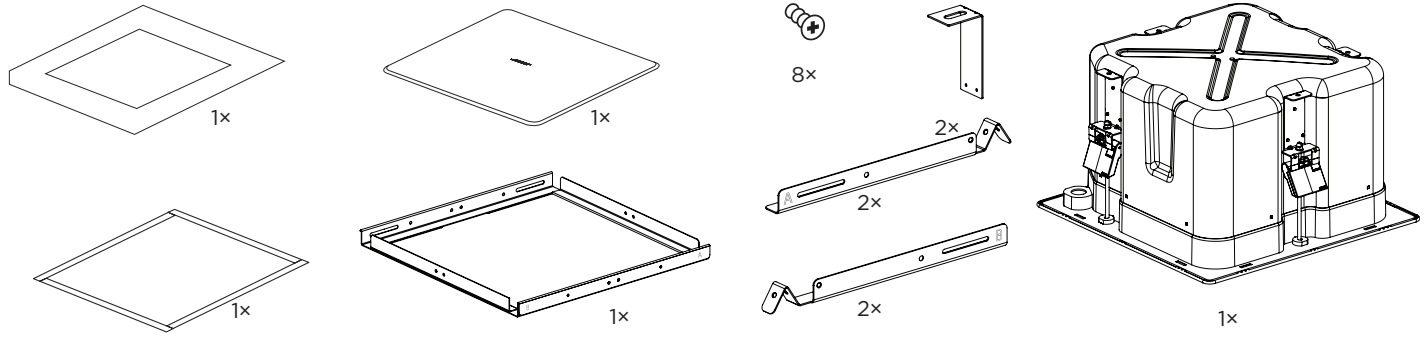
الجهد الكهربائي للدخل: 70 فولت/100 فولت

المعاوقة: 8 أوم، 125 واط

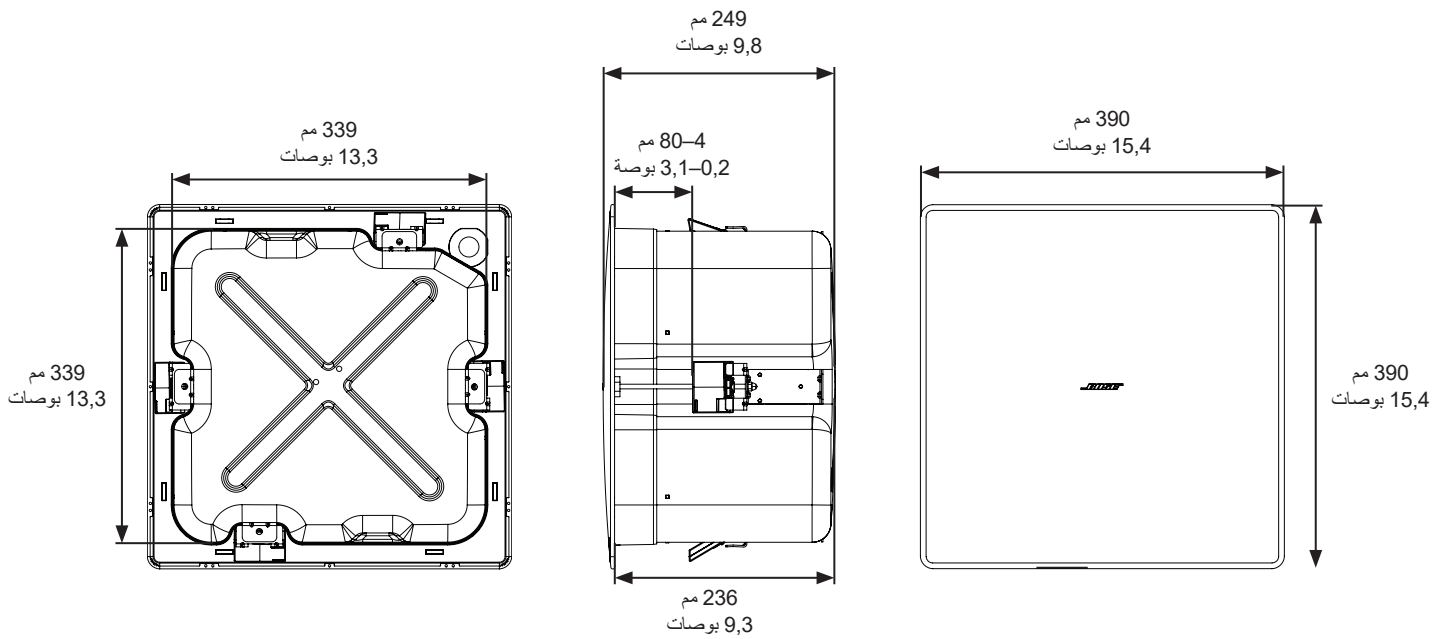
التيار أو الطاقة: (70 فولت): 2,5 واط، 5 واط، 10 واط، 20 واط، 40 واط، 80 واط؛

(100 فولت): 5 واط، 10 واط، 20 واط، 40 واط، 80 واط

محتويات العبوة



أبعاد المنتج



معلومات هامة حول التركيب

يتحمل فني التركيب المتخصص مسؤولية ضمان تنفيذ عملية تركيب مكبرات الصوت ونظام التثبيت بالتوافق مع كل القوانين المعمول بها، بما في ذلك قوانين ولوائح البناء المحلية. يرجى مراجعة السلطات المحلية صاحبة الاختصاص قبل تركيب هذا المنتج.

تقع على عاتق فني التركيب مسؤولية ضمان سلامة عملية تركيب مكبر الصوت. قد يؤدي عدم تركيب مكبر الصوت بالطريقة المناسبة إلى إلحاق الضرر أو وقوع الإصابات أو حتى إلى الوفاة.

لا تقم بتركيب هذا المنتج في الأماكن التي قد يحدث فيها تكثيف.

هذا المنتج غير مصمم للتركيب أو الاستخدام داخل مرافق المياه في الأماكن المغلقة (بما في ذلك، على سبيل المثال لا الحصر، حمامات السباحة الداخلية والحدائق المائية المغلقة وأحواض الاستحمام الساخنة وغرف السالونا وغرف البخار وحلبات التزلج الداخلية).

لا تقم بالتركيب على أسطح غير قوية أو توجد خلفها مخاطر خفية، مثل الأسلاك الكهربائية أو أنابيب المياه. إذا لم تكن متأكدًا من كيفية تركيب الكتيبة، فاتصل بفني تركيب محترف مؤهل. احرص على تركيب الكتيبة وفقًا لقوانين البناء المحلية.

لا تستخدم أي نوع من المذيبات أو مواد التزييت أو مواد التنظيف القائمة على الهيدروكربون على مكبر الصوت هذا ومعدات التثبيت المرفقة أو حولها أثناء التركيب. فقد يؤدي التعرض لمواد مماثلة إلى تحلل المواد البلاستيكية، مما قد يتسبب بتصدع المنتج في وقت مبكر وبخطر السقوط.

المواصفات الفنية

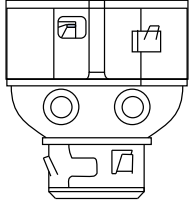
للحصول على مواصفات إضافية، راجع ورقة البيانات الفنية الخاصة بـ EdgeMax EM90 و EM180 على PRO.BOSE.COM

مادي	أبعاد المنتج
الحاجز الشبكي: 390 مم × 390 مم	(15,4 بوصات × 15,4 بوصات)
العلبة: 339 مم × 339 مم	(13,3 بوصات × 13,3 بوصات)
عمق الصفيحة الخلفية: 236 مم	(9,3 بوصات)
فتحة الثقب	345 مم × 345 مم (13,6 بوصات × 13,6 بوصات)
سماكة السقف القصوى	80 مم (3,1 بوصة)
الوزن الصافي لمكبر الصوت مع الحاجز الشبكي	10,1 كغ (22,2 أرطال)
الوزن الصافي لعارضة الألواح	1,4 كغ (3,1 رطل)
وزن الشحن	12,5 كغ (27,6 أرطال)

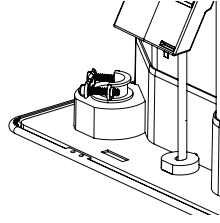
خيارات التركيب

تجهيزات الماسورة

في حال كنت تستخدم ماسورة معدنية مرنة، فاستخدمها مع تجهيزات ماسورة بحجم 3/8 بوصات أو موصل ثنائي (مزدوج) يبلغ 3/8 بوصات. **ملاحظة:** لا تكون تجهيزات الماسورة متوفرة مع الجهاز.



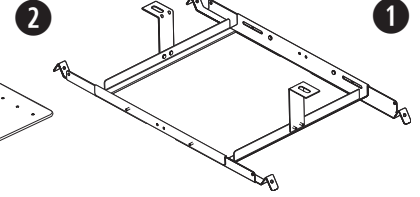
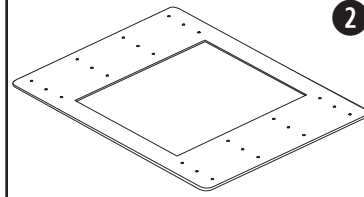
3/8 بوصات، مزدوجة



3/8 بوصات، فردية

خيارات التركيب والملحقات

- 1 عارضة ألواح قابلة للضبط (مضمنة)
- 2 قاعدة مسطحة صلبة (اختيارية)



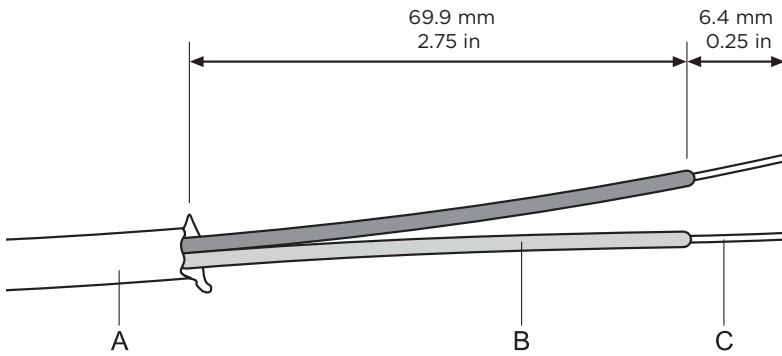
توصيل أسلاك مكبر الصوت

باستخدام أطراف الإدخال المباشر

متطلبات قياس الأسلاك من أسلاك خط مكبر الصوت إلى أطراف مكبر الصوت: لا تستخدم سوى سلك مقاس 18 (0,8 مم) إلى 14 (2,5 مم) بمعيار السلك الأمريكي.

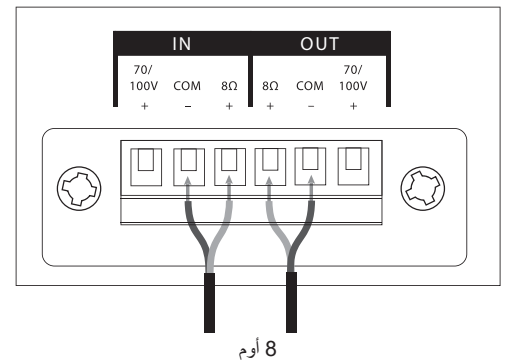
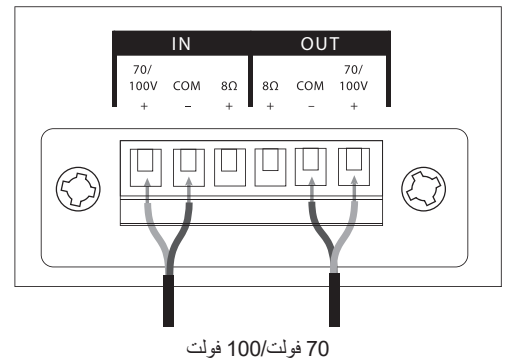
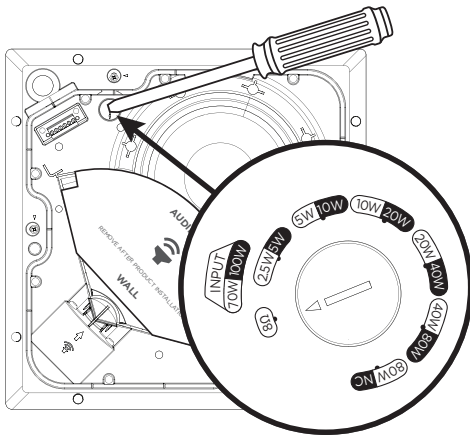
تجهيز الأسلاك

أعد تشذيب الغلاف الخارجي (A) وبعض من المواد العازلة للسلك (B) لإظهار مساحة كافية من السلك العاري (C) للتوصيل بالأطراف.



إعدادات مكبر الصوت

مخططات التوصيل



		70 فولت				
8 أوم	2,5 واط*	5 واط	10 واط	20 واط	40 واط	80 واط
	5 واط*	10 واط	20 واط	40 واط	80 واط	**NC
		100 فولت				

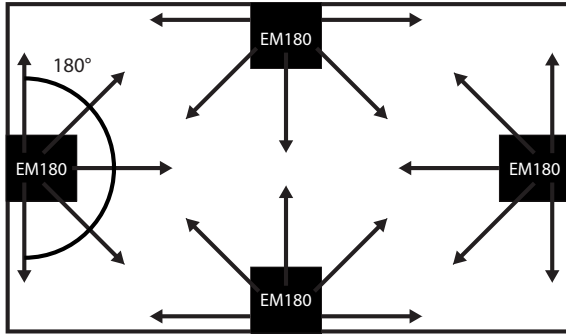
* القيمة الافتراضية للشركة المصنعة ** NC: بدون توصيل (لا تستخدمه)

إعداد تفريع المحوّل

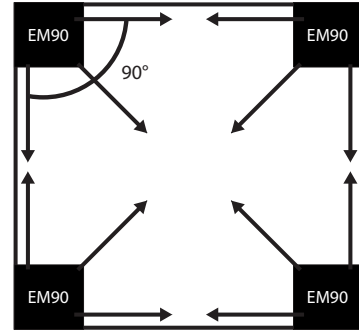
تثبيت التفريع بإدارته. استخدم مفك براغي برأس مسطح.

تحضير التركيب

تركيب EM180 إلى جانب حائط. راجع الشكل أدناه لعرض الموضع في الغرفة من الأعلى.



تركيب EM90 في زاوية. راجع الشكل أدناه لعرض الموضع في الغرفة من الأعلى.



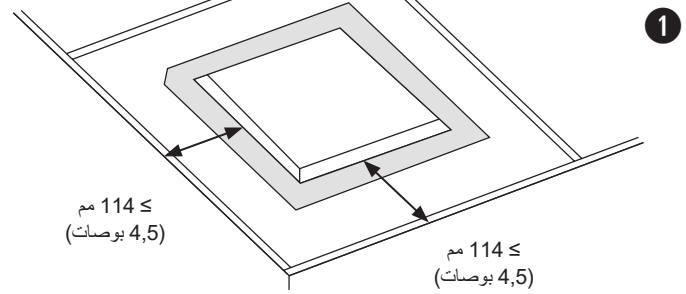
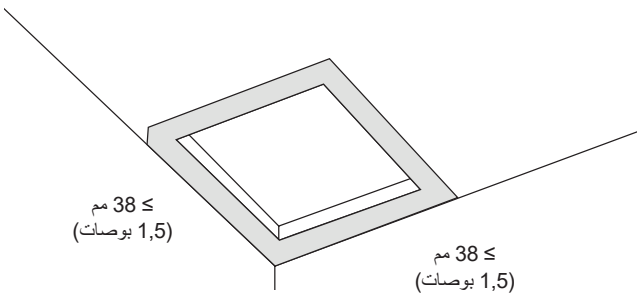
ملاحظة: حافظ على وافي موجّه الطور في مكانه حتى اكتمال عملية التركيب.

وضع مكبر الصوت

عند تركيب مكبر الصوت بالقرب من واجهة التثبيت حائط-سقف، اترك مسافة كافية للحاجز الشبكي المعلق. يجب أن يكون الحاجز الشبكي مستويًا مع سطح السقف حتى تتصل المغناطيسات بشكل تام.

استخدم القالب المرفق لضمان استخدام الأبعاد المناسبة لكل من فتحة مكبر الصوت والوضعية.

1. بالنسبة إلى مكبر الصوت EM90 أو EM180 المثبت في لوح السقف: ضع فتحة مكبر الصوت على مسافة 114 مم على الأقل (4,5 بوصات) من كل حائط لترك المساحة اللازمة لعرض الألواح.
2. بالنسبة إلى مكبر الصوت EM90 أو EM180 المثبت في سقف صلب: ضع قالب الكرتون المقوى بمحاذاة الزاوية (EM90) أو بمحاذاة الحائط (EM180). يؤدي ذلك إلى ترك مسافة لا تقل عن 38 مم (1,5 بوصات) من كل حائط لاستيعاب الحاجز الشبكي.



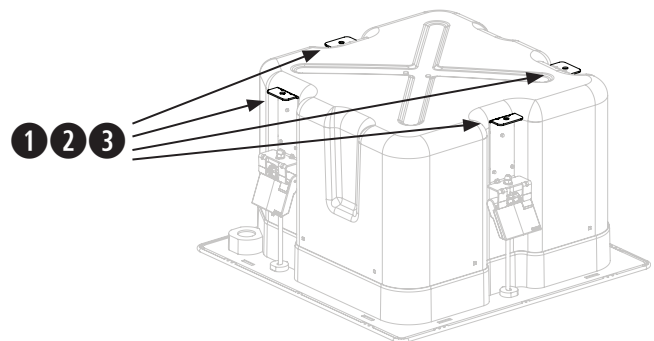
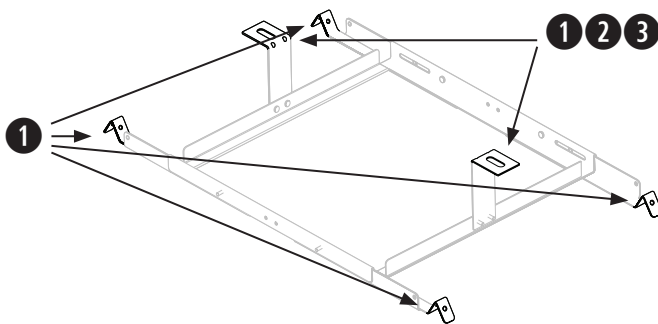
ملاحظة: يؤدي التركيب بالقرب من أسطح الطهو حيث قد يتعرّض مكبر الصوت مباشرة لزيوت الطهو أو البخار أو الحرارة العالية، مثل أماكن الطهو التجارية، إلى تقليل أداء مكبر الصوت أو موثوقيته.

استخدام كبل الأمان

تتطلب بعض قوانين البناء الإقليمية استخدام طريقة ثانوية لتثبيت مكبرات الصوت بإحكام، بهدف دعم الهياكل وتوفير مستوى إضافي من الأمان. اختر وضعية وطريقة ومعدات للتركيب متوافقة مع قوانين ولوائح البناء المحلية.

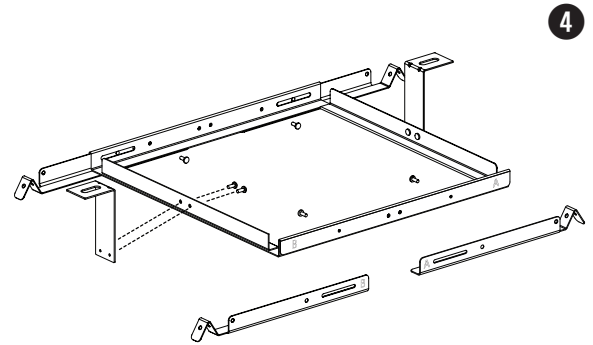
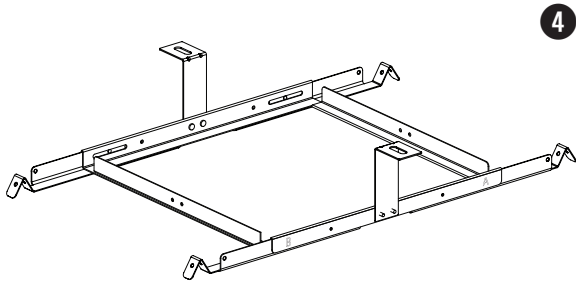
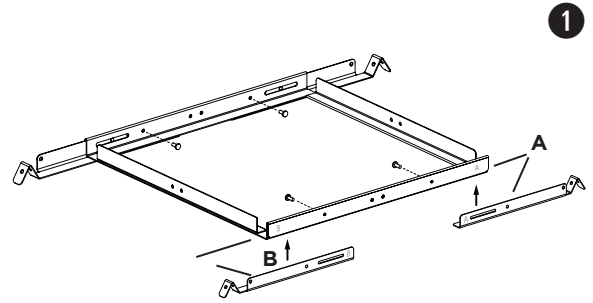
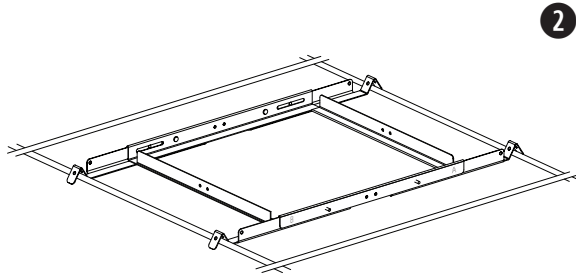
توصي Bose باستخدام (1) سلك أمان، أو (2) كبل أمان أو (3) قضيب ملولب كإلية ثانوية للتثبيت المحكم. راجع الرسوم البيانية أدناه لمعرفة نقاط التثبيت الآمنة.

اتبع إرشادات الجهة المصنّعة عند استخدام أي آلية ثانوية للتثبيت المحكم.



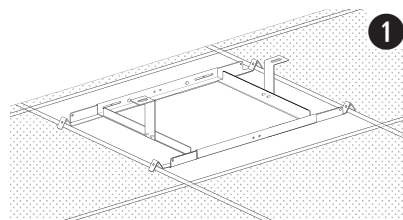
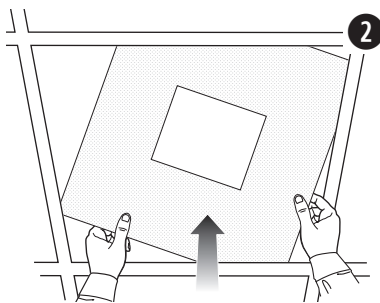
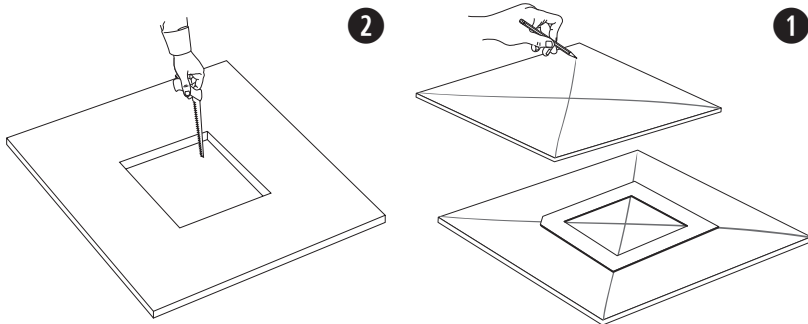
تجميع عارضة الألواح

1. تُثبت القضبان الأربعة بالإطار الأوسط، باستخدام أربعة من البراغي المضمنة. أدخل البراغي من داخل عارضة الألواح. تكون القضبان والإطار الأوسط محددة بحرف A و B لمعرفة نقاط التثبيت الصحيحة.
2. اضبط طول قضبان عارضة الألواح بحيث تستند القضبان بإحكام على الشبكة أو الأخشاب المحصصة في السقف.
ملاحظة: يمكن لعارضة الألواح تحمّل مسافة تتراوح بين 56 و 66 سم (22 إلى 26 بوصة).
3. قم بشدّ البراغي الأربعة لتثبيت قضبان عارضة الألواح بالإطار الأوسط.
4. اختياري: تُثبت الكتائف على شكل L بعارضة الألواح، لإنشاء نقطة توصيل إضافية لسلك أمان أو كبل الأمان أو قضيب ملولب. للحصول على مزيد من المعلومات، راجع استخدام كبل أمان في الصفحة 82.
ملاحظة: ضَع الكتائف على شكل L في موضع لا يحول دون تثبيت الخطافات الموجودة على مكبر الصوت بعارضة الألواح بشكل كامل.



تحضير لوح السقف الصوتي

قص لوح السقف



1. قم بإزالة اللوح واستخدم القالب لرسم شكل ثقب مكبر الصوت على اللوح. لمحاذاة القالب في وسط اللوح، ارسم حرف "X" عن طريق توصيل الزوايا قطريًا، ثم ضع القالب في الوسط باستخدام نقطة التقاطع.
2. قم بإجراء ثقب على اللوح.

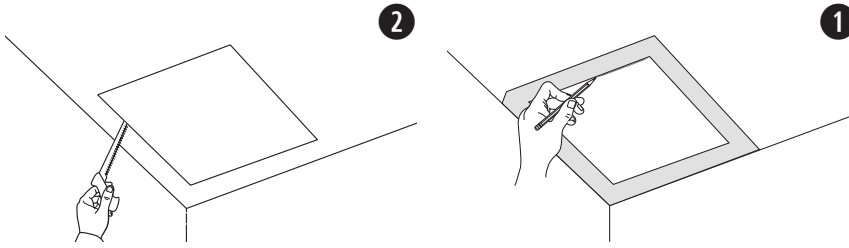
تركيب عارضة الألواح

1. ضَع عارضة الألواح المجمعة على شبكة السقف. إذا لزم الأمر، اضبط عارضة الألواح حتى تستند القضبان على شبكة السقف.
2. استبدل اللوحة في السقف.

تخضير السقف الصلب (بنية قائمة)

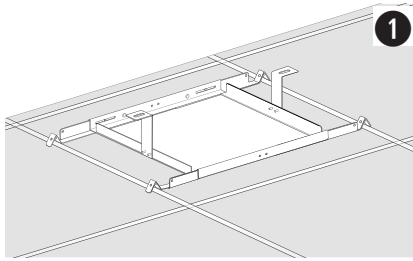
قص السقف

1. استخدم القالب لرسم ثقب في السقف.
2. قم بإجراء ثقب على السقف.



تركيب عارضة الألواح

1. قم بإدخال عارضة الألواح المجمعة في الثقب وضع عارضة الألواح على شبكة السقف أو الأخشاب المحصنة في السقف. إذا لزم الأمر، اضبط عارضة الألواح حتى تستند القضبان على شبكة السقف أو الأخشاب المحصنة في السقف.

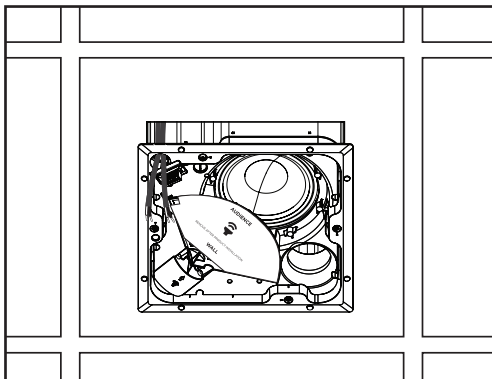


تركيب مكبر الصوت

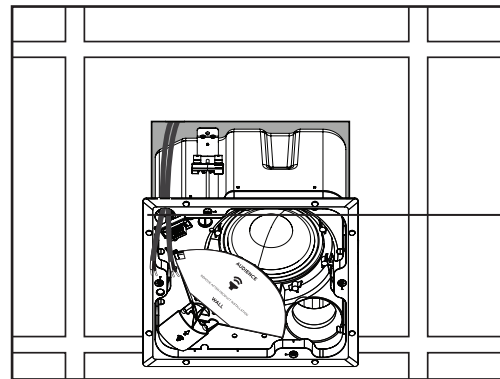
1. مرر سلك الصوت عبر فتحة السلك (إلى جانب طرف التوصيل).
2. أدخل مكبر الصوت عبر الفتحة وفي عارضة الألواح. احرص على أن تشتبك الخطافات بعارضة الألواح قبل إفلات مكبر الصوت من يدك.
3. قم بإزالة الموصل وربطه وإعادة إدخاله في مكبر الصوت. للحصول على معلومات حول توصيل الأسلاك، راجع توصيل أسلاك مكبر الصوت في الصفحة 81.
4. أحكم شدّ براغي ذراع الخطاف لتثبيت مكبر الصوت في مكانه. إذا كنت تستخدم مثقابًا أليًا، فقم بتعيين الإعداد إلى مستوى عزم منخفض تخضير: قد يؤدي شدّ البراغي بشكل مفرط إلى إلحاق ضرر بنقطة تثبيت الخطاف أو السقف، ما قد يتسبب بخطر السقوط.



5. تخلّص من وافي موجّه الطور.

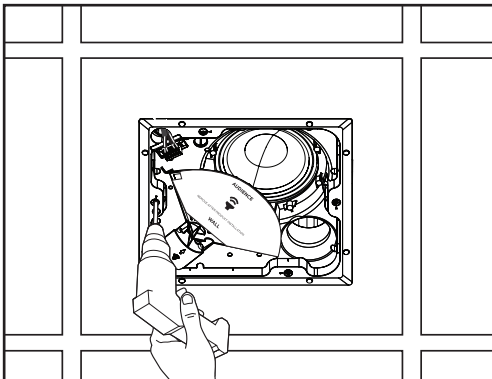


2

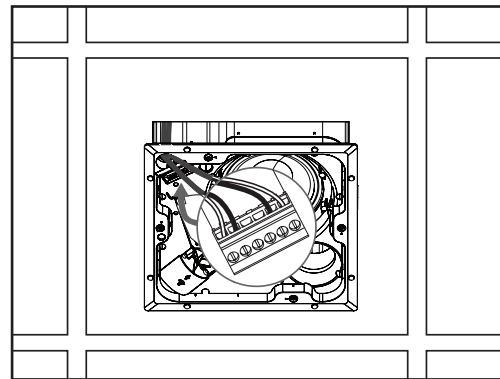


1

فتحة السلك



4



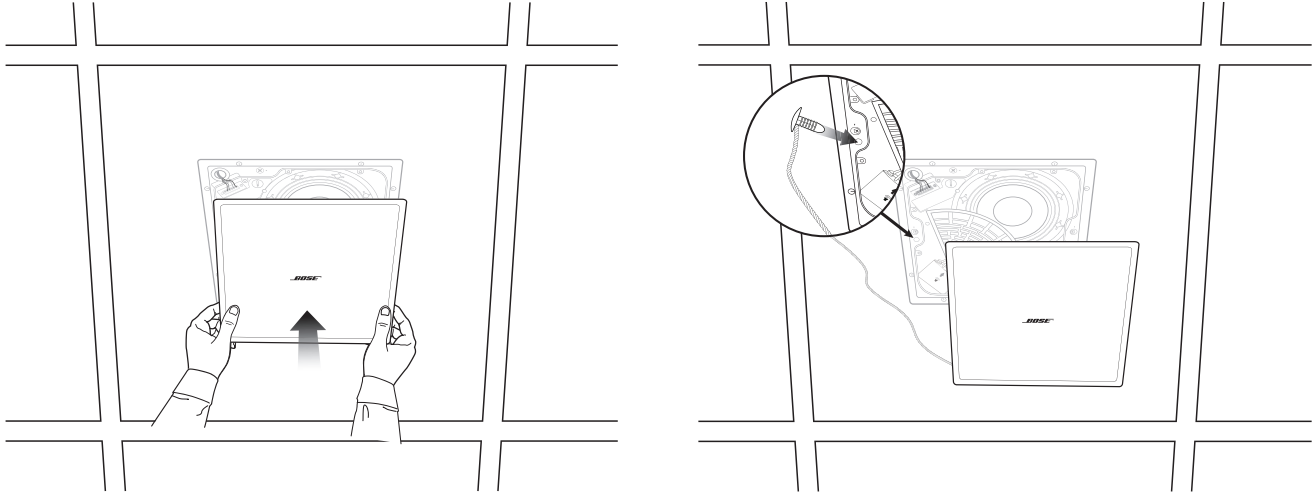
3

التركيب في سقف صلب باستخدام قاعدة مسطحة صلبة (بنية جديدة)

للحصول على معلومات حول تركيب قاعدة مسطحة صلبة، راجع دليل تركيب قاعدة مسطحة صلبة الخاص بـ EdgeMax على PRO.BOSE.COM. بعد تركيب القاعدة المسطحة الصلبة، راجع تركيب مكبر الصوت في الصفحة 84.

تثبيت الحاجز الشبكي

أدخل دبوس الأمان الموصول بحبل في الثقب الموجود بمكبر الصوت. باستخدام كلتا اليدين، ضع الحاجز الشبكي على مكبر الصوت. يتم إحكام تثبيت الحاجز الشبكي بمكبر الصوت مغناطيسيًا.



السلامة والامتثال التنظيمي

اجتاز كل من مكبري الصوت EdgeMax EM90 وEM180 من Bose الاختبارات، وهما يتوافقان مع المواصفات والاستخدامات التالية:

مدرجان ضمن معيار ANSI/UL 1480A-2016، لمكبرات الصوت ذات الاستخدام التجاري والاحترافي الموفر للسلامة

الاستخدام لأغراض عامة - UEAY من الفئة UL، رقم الملف S 5591، رقم التحكم 3N89

مناسب للاستخدام في البيئات الداخلية بالأماكن الرطبة بموجب UL 1480A، ولكن يجب مراجعة التحذيرات والتنبيهات في الصفحة 2 من دليل التركيب هذا، لمعرفة تقييدات التركيب الهامة.

UL-2043، 2013، اختبار الحريق وإطلاق دخان مرئي للمنتجات المنفصلة وملحقاتها المركبة في الأماكن التي تتم فيها معالجة الهواء. مناسب للاستخدام في الأماكن التي تتم فيها معالجة الهواء (بجهاز التهوية النفاخ).

مناسب للتركيب باستخدام طرق توصيل الأسلاك من الفئة 1 أو الفئة 2 أو الفئة 3 بما يتوافق مع NFPA 70 المواصفات القياسية الكهربائية الأمريكية، 2017، المادة 640

NFPA 70، المواصفات القياسية الكهربائية الأمريكية، 2017، المادة (c)22-300.

NFPA 90-A، 2015، تركيب أجهزه تكييف الهواء وأنظمة التهوية، الفقرة 4.3.11.2.6.5

تم تصميم مكبرات الصوت EdgeMax EM90 وEM180 وفقاً للمتطلبات المحددة في المواصفات التنظيمية الأوروبية التالية للأنظمة المجمعّة:

تم اختبارها وفقاً للمعيار IEC 60268، 5-2007

قياس الأسلاك

تم تصميم مكبرات الصوت EdgeMax EM90 وEM180 بحيث لا تعمل إلا مع أسلاك مقاس 18 (0,8 مم²) بمعيار السلك الأمريكي إلى 14 (2,5 مم²) بمعيار السلك الأمريكي.



792495-0010

©2019 Bose Corporation, All rights reserved.
Framingham, MA 01701-9168 USA
PRO.BOSE.COM
AM792495 Rev. 01
May 2019

