

Lutron® Comfort Controls

HVAC Controller and Temperature Sensors

Add Lutron® Comfort Controls to your light and shade/drapery systems for convenient control of all aspects of an environment—natural light, artificial light, and temperature—from the touch of a button. Lutron® Comfort Controls allow heating and cooling systems to integrate seamlessly with Lutron® systems and must be located within 30 ft (9 m) of an RF signal repeater.

The HVAC Controller connects to and controls HVAC equipment using standard 24 V~ thermostat wiring. It can be mounted out of sight, near the equipment being controlled. Communication with a Lutron® total home control system is accomplished using Lutron® Clear Connect™ RF technology.

The HVAC Controller can utilize either Lutron® Wireless Temperature Sensors or Wired Flush Mount Sensors to read the temperature in the area being controlled. The Wireless Temperature Sensor is battery powered, making it easy to install in existing spaces. A 5-year battery life and Lutron® Clear Connect™ RF communication ensure reliable operation.

Lutron® Comfort Controls can only be used in RadioRA® 2 and HomeWorks® QS systems programmed using the PC Programming Tool.

Model Numbers

- LRF2-TWRB-XX* Wireless Temperature Sensor
- LR-TEMP-FLSH** Wired Flush Mount Sensor

Packages:

- LR-HVAC-PKG-WH System package includes:
 - 1 HVAC Controller**
 - 1 seeTemp™ Wall Display (°F) (WH)
 - 1 Wireless Temperature Sensor (SW)
 - 1 Wired Return Air Duct Sensor
- LR-HVAC-PKG-C-WH System package includes:
 - 1 HVAC Controller**
 - 1 seeTemp™ Wall Display (°C) (WH)
 - 1 Wireless Temperature Sensor (SW)
 - 1 Wired Return Air Duct Sensor
- LR-HVAC-INT-XX* System package includes:
 - 1 HVAC Controller**
 - 1 Wireless Temperature Sensor*
 - 1 Wired Return Air Duct Sensor
- LR-HVAC-INT-FLSH System package includes:
 - 1 HVAC Controller**
 - 1 Wired Flush Mount Sensor**

*Available in Snow (SW) and Midnight (MN).
 **Only available in White (WH).



HVAC Controller



Wireless Temperature Sensor



Wired Return Air Duct Sensor



Wired Flush Mount Sensor

Lutron® Comfort Controls

HVAC Controller and Temperature Sensors

Specifications

Model Numbers	Temperature Sensors: LRF2-TWRB-XX, LR-TEMP-FLSH Packages: LR-HVAC-PKG-WH, LR-HVAC-INT-XX, LR-HVAC-PKG-C-WH, LR-HVAC-INT-FLSH
Power	HVAC Controller: 24 V~ IEC PELV/NEC® Class 2 Wireless Temperature Sensor: 3 V== (one CR2450 battery included)
Typical Power Consumption	HVAC Controller: 3 W; Test conditions: two LEDs on
Regulatory Approvals	HVAC Controller: UL, cUL, FCC, IC, COFETEL Wireless Temperature Sensor: UL, cUL, FCC, IC, COFETEL
Environment	HVAC Controller: Ambient operating temperature: 32 °F to 160 °F (0 °C to 71 °C), 0% to 90% humidity, non-condensing. Indoor use only. Wireless Temperature Sensor, Wired Return Air Duct Sensor, and Wired Flush Mount Sensor: Ambient operating temperature: 32 °F to 104 °F (0 °C to 40 °C), 0% to 90% humidity, non-condensing. Indoor use only.
Communications	Lutron® Comfort Controls communicate with the system through Radio Frequency (RF) and must be located within 30 ft (9 m) of a repeater. System devices operate on frequencies between 431.0 MHz and 437.0 MHz.
ESD Protection	Tested to withstand electrostatic discharge without damage or memory loss, in accordance with IEC 61000-4-2.
Surge Protection	Tested to withstand surge voltages without damage or loss of operation, in accordance with IEEE C62.41-1991 Recommended Practice on Surge Voltages in Low-Voltage AC Power Circuits.
Power Failure	Power failure memory: should power be interrupted, the Comfort Controls will retain their programming when power is restored.
Mounting	HVAC Controller: Mount on flat surface using supplied screws. Wireless Temperature Sensor: Adhesive strip provided for temporary mounting and testing. Wall anchor and screw provided for permanent mounting. Wired Return Air Duct Sensor: Mount in return air duct using supplied screws. Wired Flush Mount Sensor: Surface mount in area to be controlled.
Wiring	HVAC Controller: IEC PELV/NEC® Class 2, 22 AWG (0.5 mm ²) to 18 AWG (0.75 mm ²) solid wiring. Requires transformer common connection. Wired Return Air Duct Sensor: IEC PELV/NEC® Class 2, 22 AWG (0.5 mm ²) to 18 AWG (0.75 mm ²) twisted, shielded pair wiring. Maximum wire length is 100 ft (30.5 m). Wired Flush Mount Sensor: IEC PELV/NEC® Class 2, 22 AWG (0.5 mm ²) twisted, shielded pair wiring. Maximum wire length is 100 ft (30.5 m).
Warranty	http://www.lutron.com/TechnicalDocumentLibrary/Warranty.pdf Warranty only valid if installed by climate control specialist.

Lutron® Comfort Controls

HVAC Controller and Temperature Sensors

Design Features

HVAC Controller

- Connects to HVAC equipment.
- Uses RF to communicate with the Wireless Temperature Sensors, seeTemp™ Wall Displays, and other Lutron® wireless devices.
- Requires 24 V~ wiring from HVAC equipment transformer.
- Requires 1 Wired Sensor per HVAC Controller, wired in the system as a backup sensor in case the Wireless Temperature Sensor is not communicating.

Wireless Temperature Sensor

- Flexible mounting options require no wiring.
- 5 year battery life.
- Multiple sensor averaging possible.
- Use up to 4 Wireless Temperature Sensors per HVAC Controller.
- Use up to 5 Wireless Temperature Sensors per Main Repeater (RadioRA® 2) or per RF link (HomeWorks® QS).
- A Wireless Temperature Sensor assigned to a Main Repeater (RadioRA® 2) or RF link (HomeWorks® QS) and attached to an HVAC Controller that is assigned to a second Main Repeater/RF link will count towards the 5 Wireless Temperature Sensor limit on both Main Repeaters/RF links.
- Accurate to +/- 1 °F.

Wired Return Air Duct Sensor

- Mount in the return air duct. If there is no return air duct available, use the Wired Flush Mount Sensor or contact Lutron® Technical Assistance.

Wired Flush Mount Sensor

- Surface mount on wall in the area to be controlled.
- Field paintable to match decor.

System Features

- 7-day programmable schedule.
- Select alternate set points to save energy when on vacation or away from home.
- System features are programmed in the PC tool.

Control from Dynamic Keypads in HomeWorks® QS systems

- Control temperature from Dynamic Keypads.
- The Dynamic Keypad provides full control of multiple HVAC Controllers from a single location without the need for seeTemp™ Wall Displays.
- Multiple Dynamic Keypads can be used to control one HVAC Controller from multiple locations.

Control from Mobile Devices

- Control temperature from Lutron® Home Control+ mobile device application.
- Set and edit up to seven different daily schedules from your mobile device.

Lutron® Comfort Controls

HVAC Controller and Temperature Sensors

Compatibility

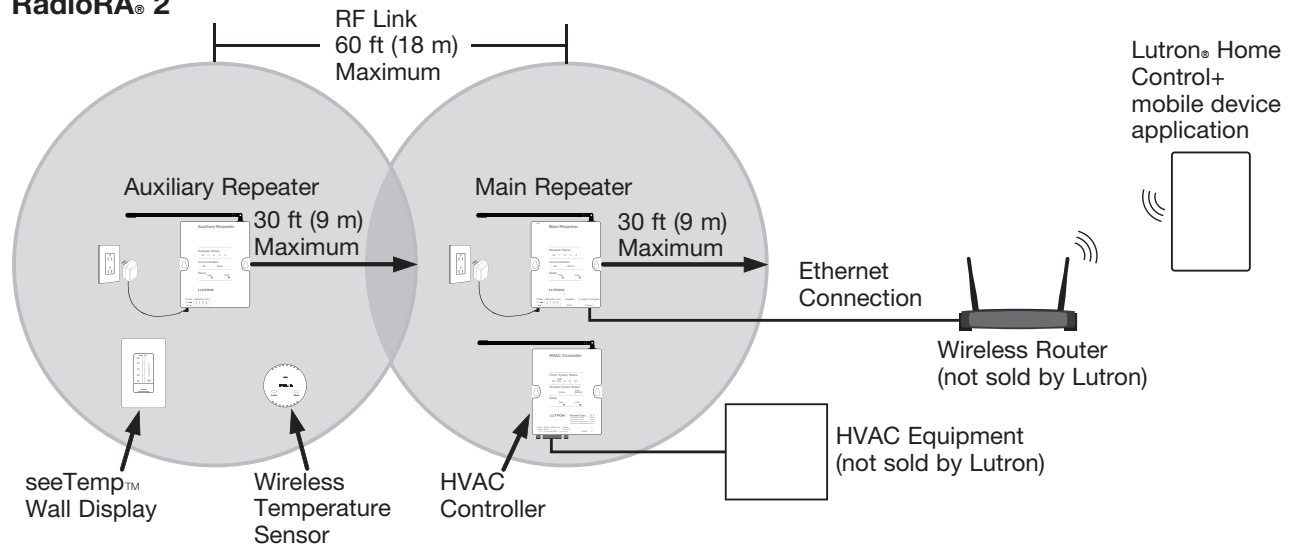
HVAC Type	Compatible?
Single Stage Cool	Yes
Two Stage Cool	Yes
Single Stage Heat	Yes
Two Stage Heat	Yes
Packaged Roof Top Units	Yes
Heat Pump	Yes
Dual Fuel Systems	Yes - Requires a separate Fossil Fuel Kit (not sold by Lutron)
Geothermal Heat Pump	Yes
Heat Pump with Auxiliary Electric (Emergency) Heat	Yes
Typical Variable Speed Fan (Equipment Controlled)	Yes
Multi-Zone Systems (Controllable Dampers)	Yes - Requires a separate Zone Controller (not sold by Lutron)
In-Floor Radiant Heat	Yes
Line Voltage Electric Baseboard	No
Mili-Volt System	No
Proprietary / Digital Control systems	No
Variable Speed Fan (Independent Relays)	No
Humidity Control	No
Humidity Sensing	No
Outdoor Temperature Sensing	No
VAV / VRV Systems	No

Lutron® Comfort Controls

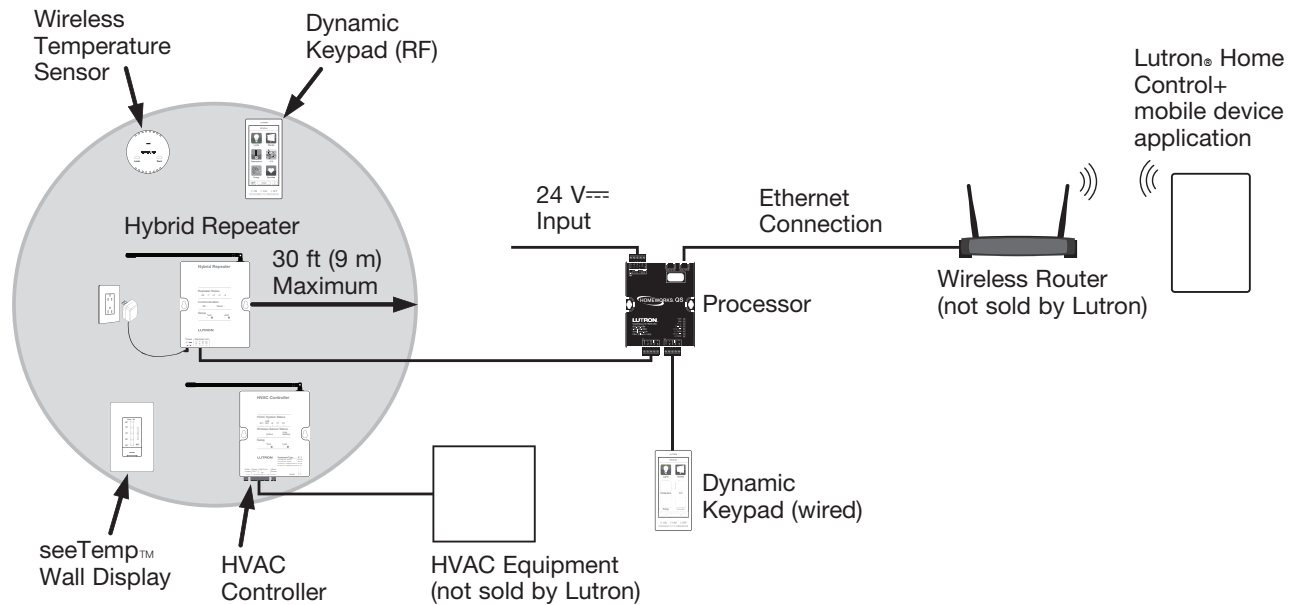
HVAC Controller and Temperature Sensors

System Examples

RadioRA® 2



HomeWorks® QS



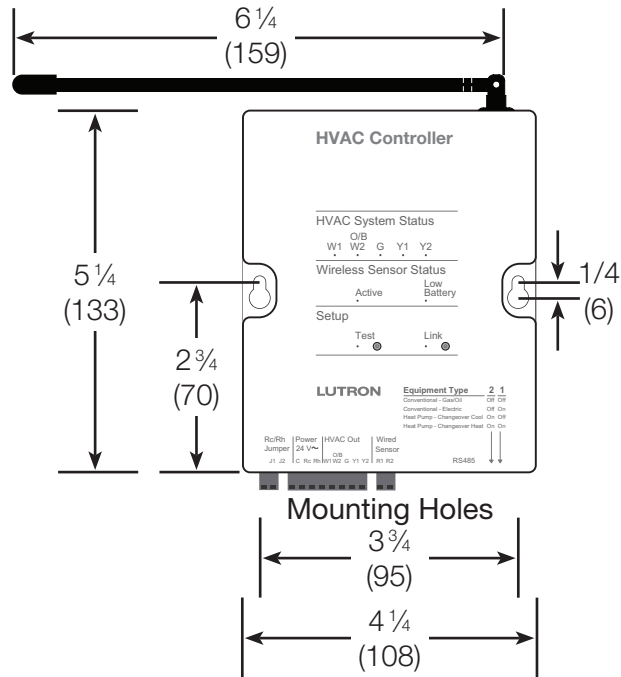
Lutron® Comfort Controls HVAC Controller and Temperature Sensors

Dimensions

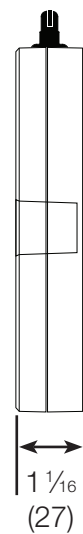
All dimensions are shown as $\frac{\text{in}}{(\text{mm})}$ unless otherwise noted.

HVAC Controller

Front View



Side View



Continued on next page...

Lutron® Comfort Controls

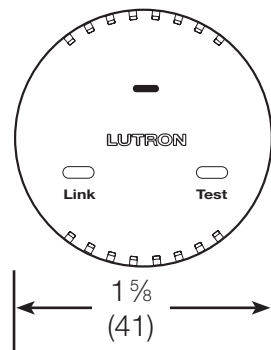
HVAC Controller and Temperature Sensors

Dimensions *(continued)*

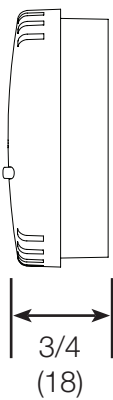
All dimensions are shown as $\frac{\text{in}}{\text{(mm)}}$ unless otherwise noted.

Wireless Temperature Sensor

Front View

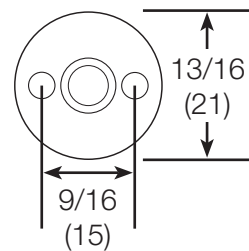


Side View

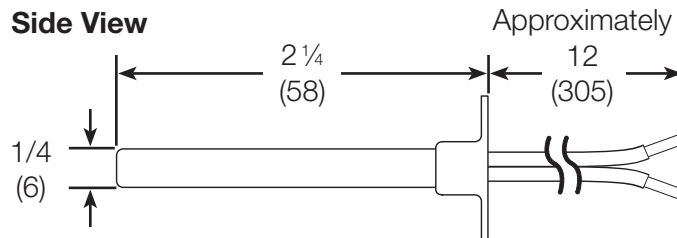


Wired Return Air Duct Sensor

Front View

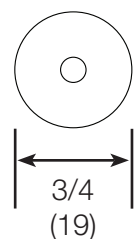


Side View

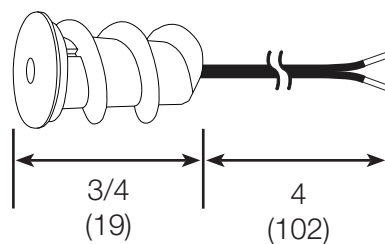


Wired Flush Mount Sensor

Front View



Side View

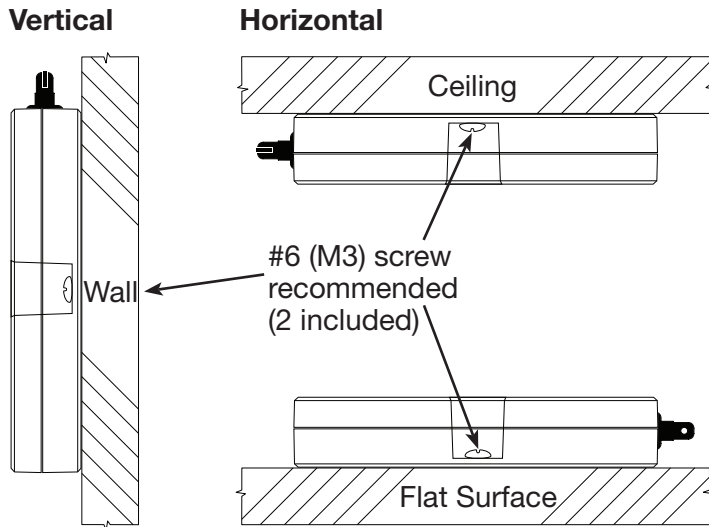


Lutron® Comfort Controls

HVAC Controller and Temperature Sensors

Mounting and Parts Identification

HVAC Controller

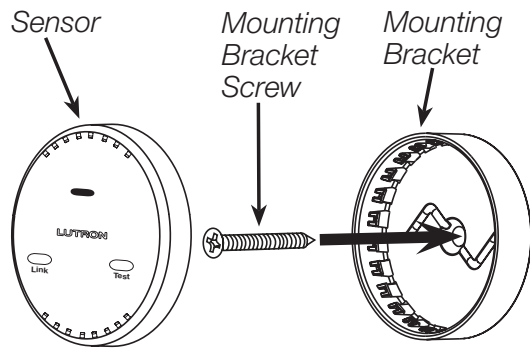


Continued on next page...

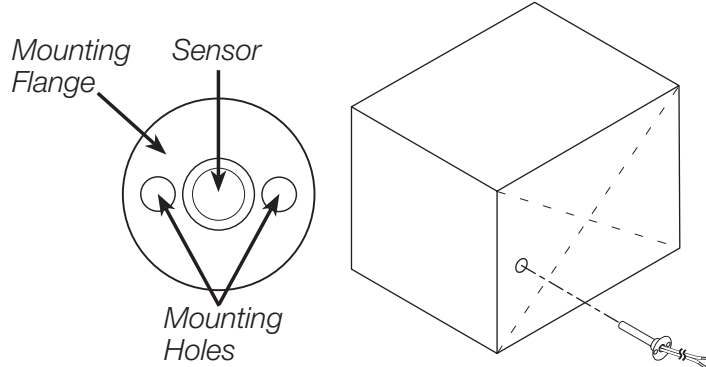
Lutron[®] Comfort Controls HVAC Controller and Temperature Sensors

Mounting and Parts Identification (*continued*)

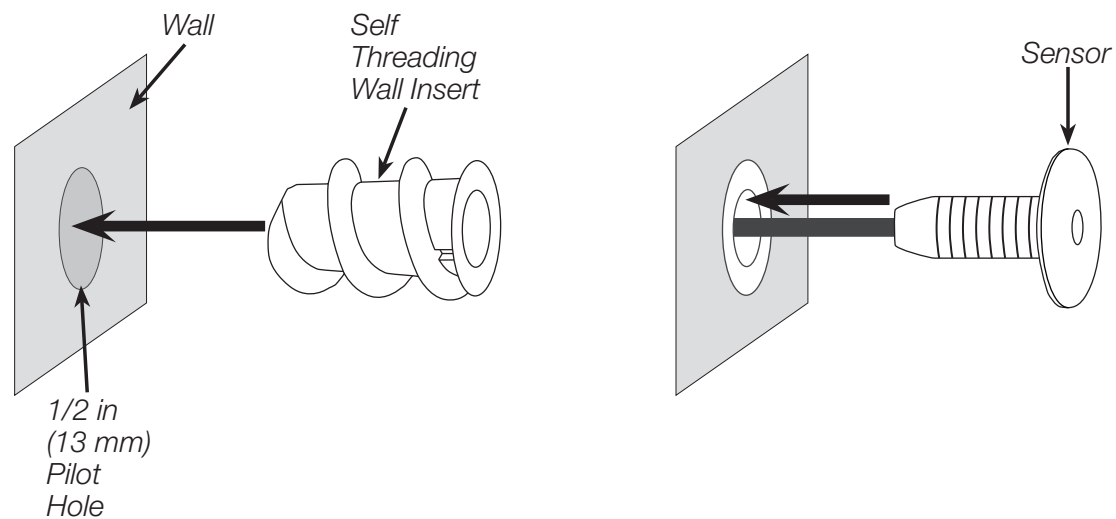
Wireless Temperature Sensor



Wired Return Air Duct Sensor



Wired Flush Mount Sensor

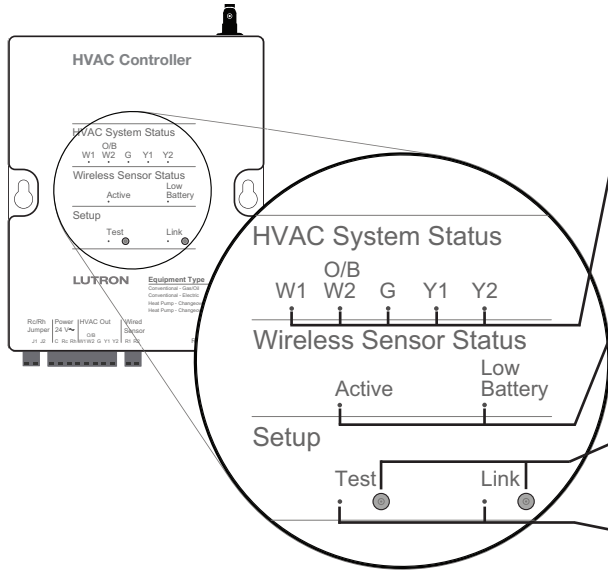


Lutron® Comfort Controls

HVAC Controller and Temperature Sensors

Operation

HVAC Controller



HVAC System Status LEDs

Indicate the status of the control outputs. When an LED is lit the corresponding relay is closed.

- W1 - Heat stage 1, auxiliary heat
- W2 O/B - Heat stage 2, changeover valve
- G - Fan
- Y1 - Compressor stage 1
- Y2 - Compressor stage 2

Wireless Sensor Status LEDs

Solid - All Wireless Temperature Sensors are active.
 Flashing - One or more Wireless Temperature Sensors are not active or a wired sensor is not connected.
 Off - No active Wireless Temperature Sensors.

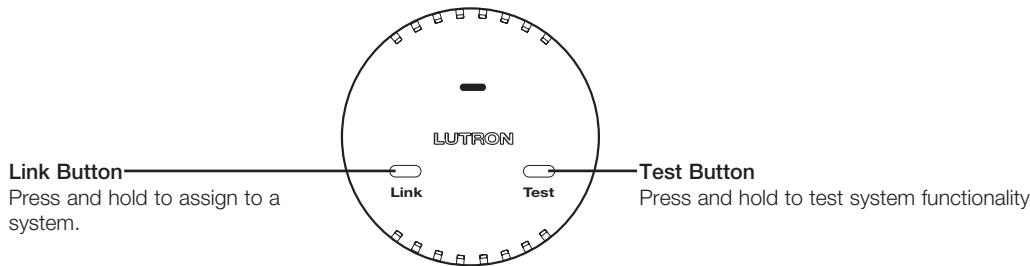
Test and Link Buttons

Press and hold to troubleshoot (Test) and set up (Link) the RF connection.

Test and Link LEDs

Flashes green to indicate that the system is in Test mode or Link mode.

Wireless Temperature Sensor



Link Button
 Press and hold to assign to a system.

Test Button
 Press and hold to test system functionality

Lutron® Comfort Controls

HVAC Controller and Temperature Sensors

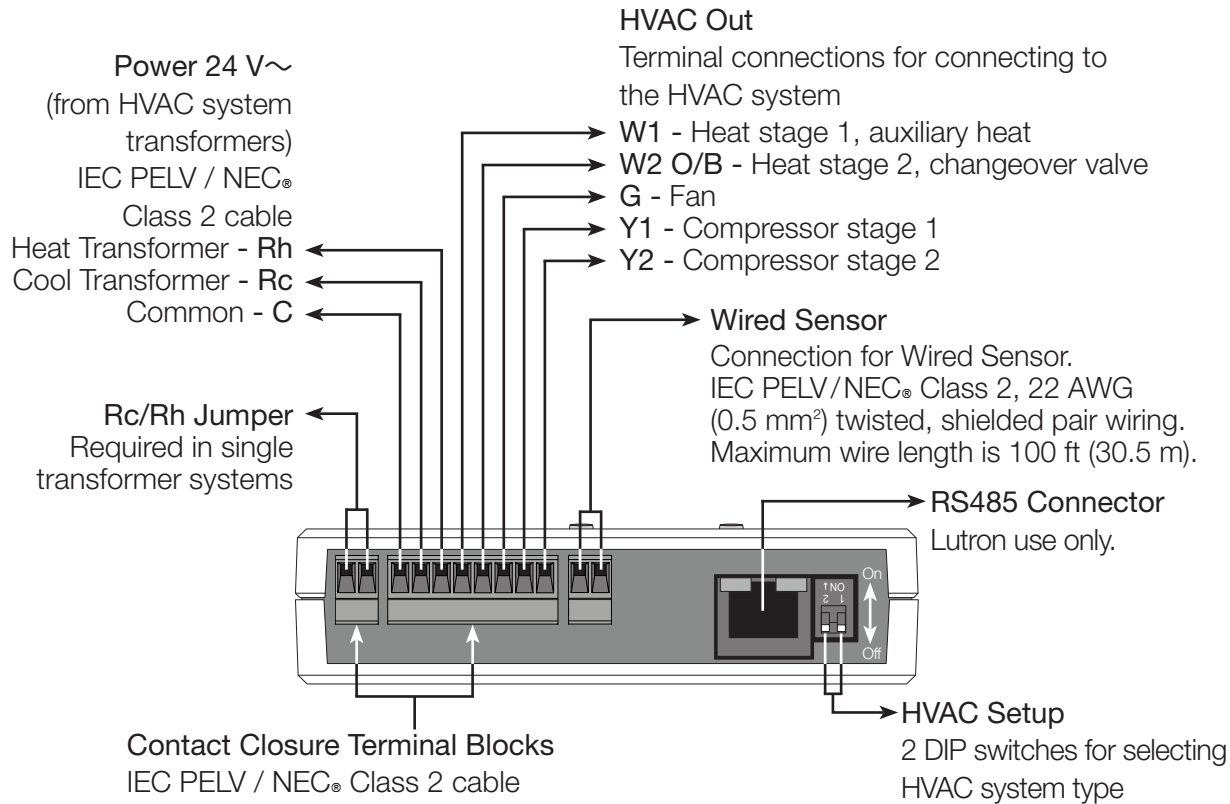
Wiring Diagrams (continued)

HVAC Controller

Note: HVAC Controller must be wired by a qualified HVAC climate control specialist.

Relay Contact Ratings

Voltage	Resistive Load	Inductive Load
Up to 24 V~	1 A	0.1 A



Equipment Type	2	1	Fan Controlled by
Conventional - Gas/Oil	Off	Off	Air Handler
Conventional - Electric	Off	On	HVAC Controller
Heat Pump - Changeover Cool	On	Off	HVAC Controller
Heat Pump - Changeover Heat	On	On	HVAC Controller

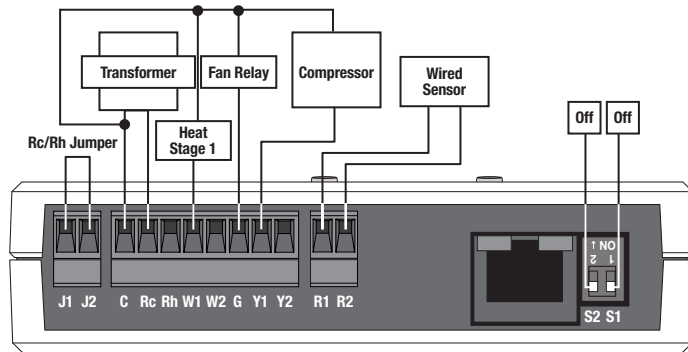
Continued on next page...

Lutron[®] Comfort Controls
 HVAC Controller and Temperature Sensors

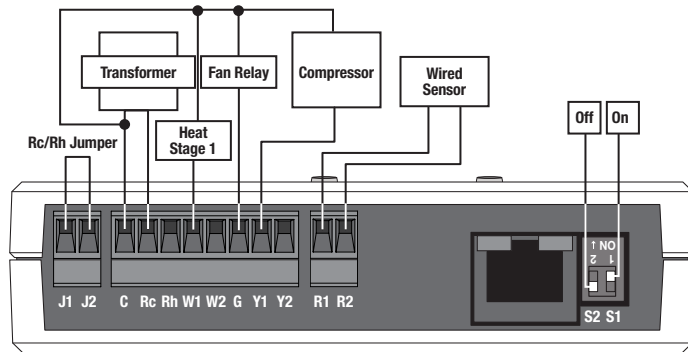
Wiring Diagrams (continued)

Conventional Systems

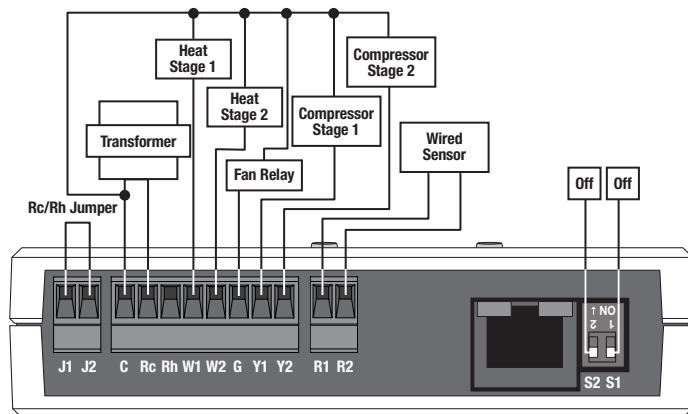
Conventional Gas/Oil Heat System • 1 Stage Heat / 1 Stage Cool



Conventional Electric Heat System • 1 Stage Heat / 1 Stage Cool



Conventional Gas/Oil Heat System • 2 Stage Heat / 2 Stage Cool



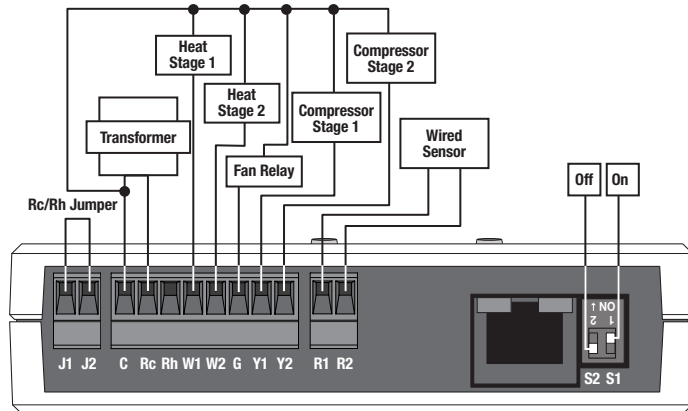
Continued on next page...

Lutron[®] Comfort Controls
 HVAC Controller and Temperature Sensors

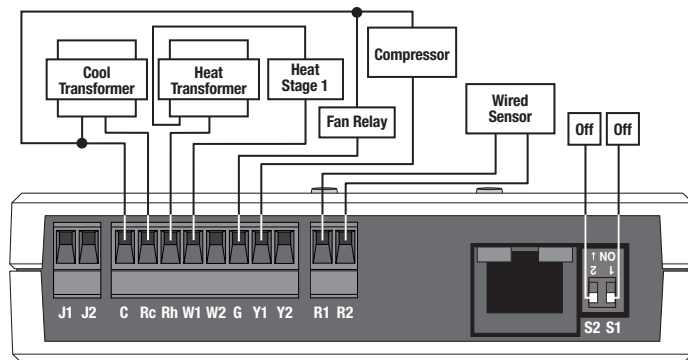
Wiring Diagrams (continued)

Conventional Systems (continued)

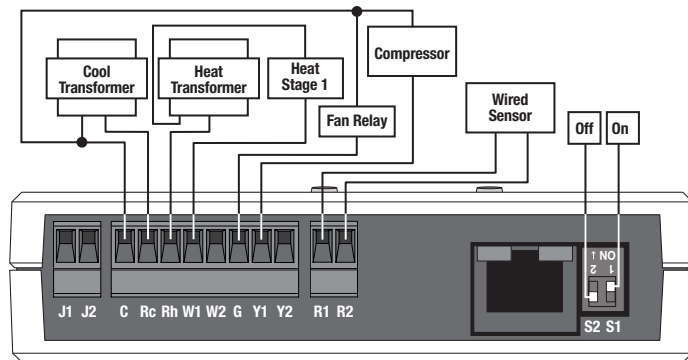
Conventional Electric Heat System • 2 Stage Heat / 2 Stage Cool



Conventional Gas/Oil Heat System • 1 Stage Heat / 1 Stage Cool, 2 Transformers



Conventional Electric Heat System • 1 Stage Heat / 1 Stage Cool, 2 Transformers



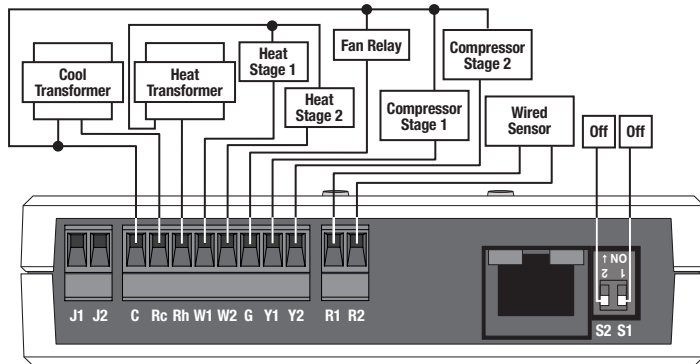
Continued on next page...

Lutron® Comfort Controls
 HVAC Controller and Temperature Sensors

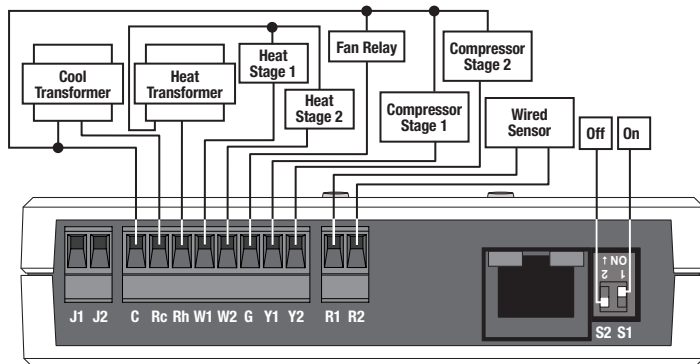
Wiring Diagrams (continued)

Conventional Systems (continued)

Conventional Gas/Oil Heat System • 2 Stage Heat / 2 Stage Cool, 2 Transformers



Conventional Electric Heat System • 2 Stage Heat / 2 Stage Cool, 2 Transformers



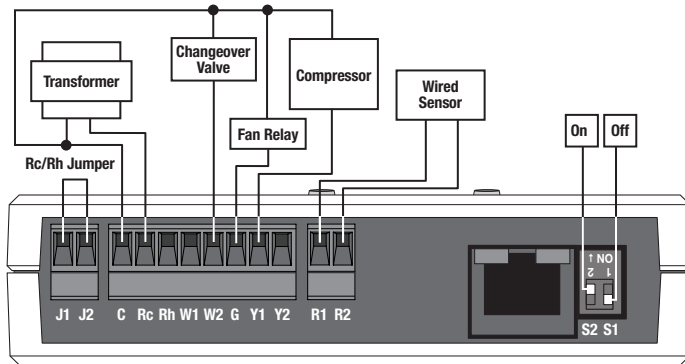
Continued on next page...

Lutron® Comfort Controls
 HVAC Controller and Temperature Sensors

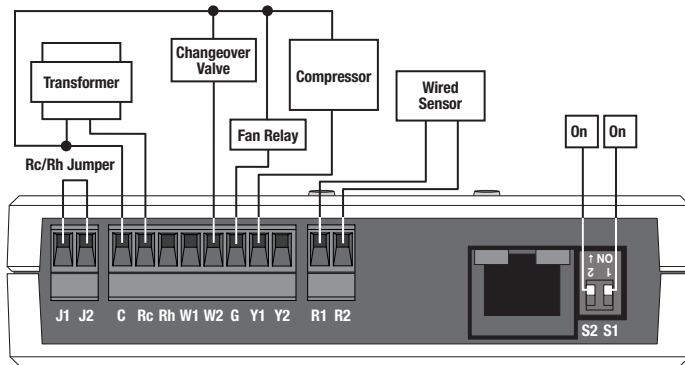
Wiring Diagrams (continued)

Heat Pump Systems

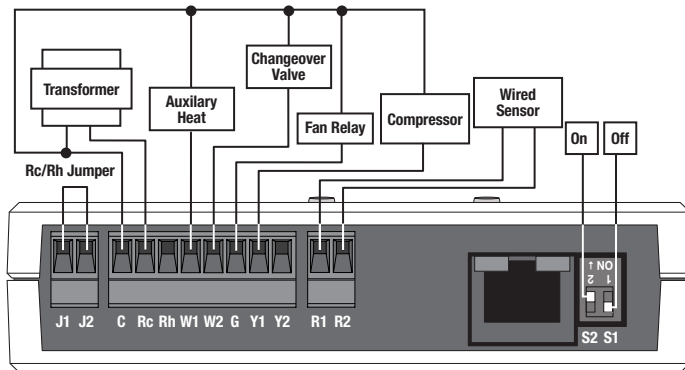
Single Stage Heat Pump (Changeover = Cool)



Single Stage Heat Pump (Changeover = Heat)



Single Stage Heat Pump w/ Auxiliary Heat (Changeover = Cool)



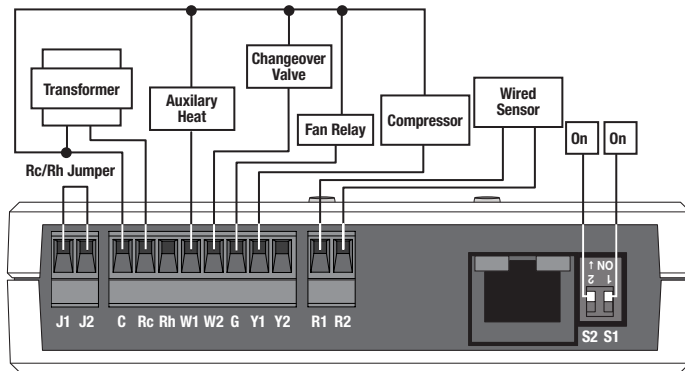
Continued on next page...

Lutron® Comfort Controls
 HVAC Controller and Temperature Sensors

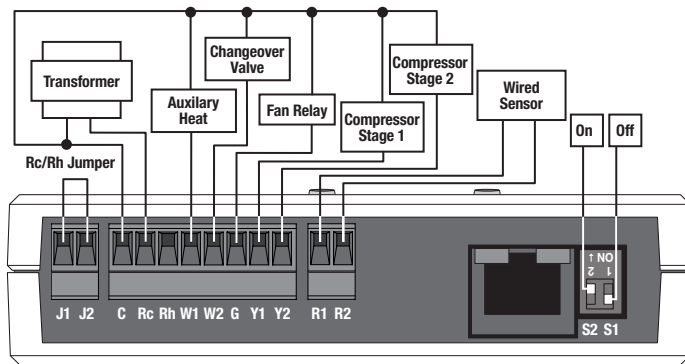
Wiring Diagrams (continued)

Heat Pump Systems (continued)

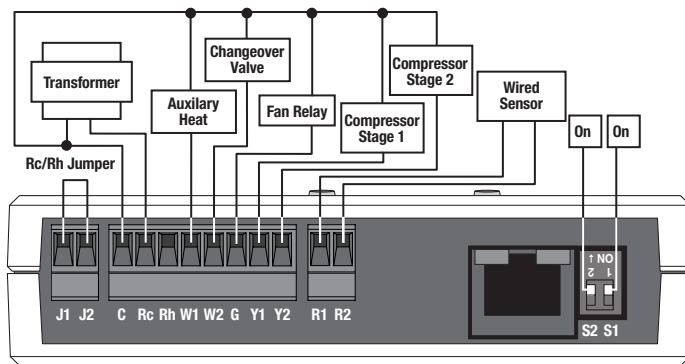
Single Stage Heat Pump w/ Auxiliary Heat (Changeover = Heat)



2 Stage Heat Pump w/ Auxiliary Heat (Changeover = Cool)



2 Stage Heat Pump w/ Auxiliary Heat (Changeover = Heat)

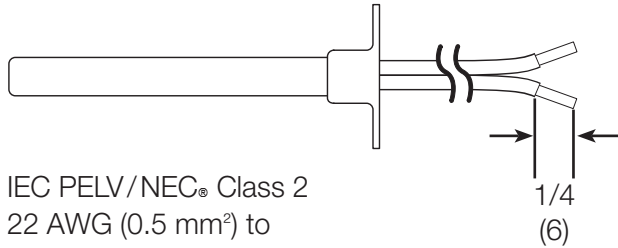


Continued on next page...

Lutron® Comfort Controls HVAC Controller and Temperature Sensors

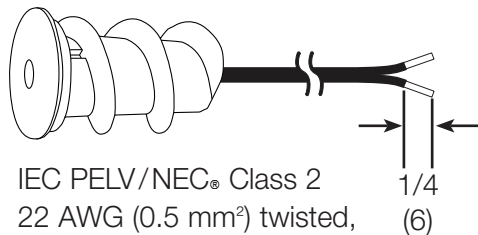
Wiring Diagrams (*continued*)

Wired Return Air Duct Sensor



IEC PELV/NEC® Class 2
22 AWG (0.5 mm²) to
18 AWG (0.75 mm²) twisted,
shielded pair wiring.

Wired Flush Mount Sensor



IEC PELV/NEC® Class 2
22 AWG (0.5 mm²) twisted,
shielded pair wiring.