



IK543/xS Series Apartment House Intercom Kits

Each **IK543/xS** Kit Consists Of:



IS204A Inside Surface Mount Stations (White)
(qty. of 1 to 8 depending upon kit selected)



(1) **Compact Door Station**
(supplied with surface back box and integral rain hood) Door Remote Speaker / Panel, with 1 to 4 push-buttons. Model **ES04S** shown



(1) **ES612** series Door Remote panel, with 5 to 8 pushbuttons. Model **ES612/07** shown (comes with matching surface box/housing)



(1) **IA543** System Intercom Amplifier



(1) **SS105B** U.L. Listed 16VAC Plug-In Transformer



(1) **S1** Scrulox Screwdriver
(For Installation and Maintenance)



#2PRJ, #3PRJ or #4PRJ or #12WJ Intercom Cable (footage and type depends upon kit model selected). NOTE: 2 conductor #18 cable not included. NOTE: We reserve the right to send in split qty's. where required.

IK543/XS SERIES APARTMENT HOUSE INTERCOM KITS

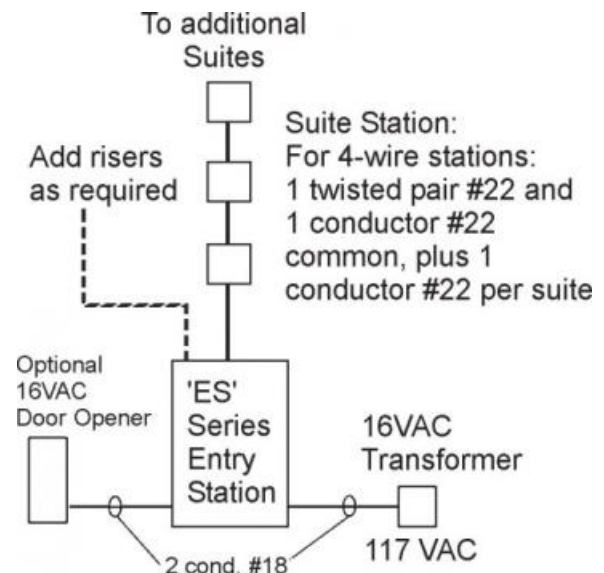
The Alpha Communications® **IK543/xS** series intercom kits feature our most popular apartment house intercom systems and configurations, for buildings with 1 through 8 apartments, at a price that can't be beat! The 'x' in the model number indicates the kit size (1-8 apartments). Each kit contains 1- **IS204A** (white) 'Universal' 4-wire indoor remote station (for each apartment), 1- **IA543** intercom amplifier (with built-in electronic tone signal), 1- **SS105B** U.L. listed 16VAC plug-in transformer, 1- **S1** Scrulox (Roberts head) screwdriver, 1- 'ES0' or **ES612** series surface mount entry door station/panel (with 1-8 push-buttons) and coil(s) of **2PRJ, 3PRJ or 4PRJ or 12WJ** intercom cable (footage and type depends upon kit model selected).

Just add a 16VAC electric door strike, to complete your building security system. We know of no other system that can offer all of these features at this cost.

Other voltage door strikes and mag locks can be used with this system, with the addition of the **PK407A** auxiliary relay unit and additional door strike power supply.

FEATURES

- Simple loop wiring from indoor station to indoor station
- Built-in electronic tone signal to each indoor station
- Exceptional voice fidelity
- Easy Installation - All Surface Mount Stations
- Built-in Door Release Capability (with optional time delay)



Alpha Communications

42 Central Drive • Farmingdale • NY • 11735-1202 • Phone: (631) 777-5500 • Fax: (631) 777-5599
TOLL-FREE: (800) 666-4800 • Web: www.alphacommunications.com • Email: info@alphacommunications.com

Copyright© 1998-2020 Alpha Communications® - All Rights Reserved.

Due to continuous product improvement, all colors, sizes, materials, finishes and specifications are subject to change without notice.