



Home Theater

Page 9

Recessed Low Voltage Cable Plates	11
Easy Mount Recessed Low Voltage Cable Plate	11
Rough-In Hole Saw Plate	11
1 3/4" Hole Saw Plate	12
Cable Plate w/ Flexible Opening	12
Flexible Split Plate	12
Décor Brush Plate	13
Reverse Nose Décor Insert	13
Décor Insert w/ Flexible Opening	13
Recessed Media Box	14
Recessed Low Voltage Cable Plate w/ Recessed Power	14
Low Voltage Mounting Brackets	14
Recessed Pro-Power Kit w/ Straight Blade Inlet	15
Recessed Pro-Power Kit w/ Surge Suppressor & Straight Blade Inlet	15
Recessed Pro-Power Kit w/ Duplex Receptacle & Straight Blade Inlet	15
Recessed Low Voltage Media Plate	16
Expandable Media Box	17
Recessed Media Box II	18
Recessed Low Voltage Mid-Size Plate	19
Décor Duplex 4.0 Amp USB Charger	20
5.1 Surround Sound Plate	20
7.2 Surround Sound Plate	20
New Construction Rough-In Bracket	21
Drawings & Dimensions	22-25

Home Command - Structured Wiring **Page 26**

Plastic Enclosures	28
Connected Media Box	29
Cable Trench System	30
Cable Trench System Parts	30
1 x 8 Telephone Module	31
Category 5e 8-Port Data Module	31
Category 6 8-Port Data Module	31
Coax 2.4 GHz Splitter Modules	31
AC Power Duplex Surge Module	31
Home Command Center II	32
4-Gang 110 Phone Plate w/ Video Distribution	32
2-Gang 110 Phone Plate	32

HDMI® **Page 33**

10.2 Gbps HDMI® Cables	35
18 Gbps HDMI® Cables	35
Décor Wall Plate Insert w/ 90° HDMI® Connector	36
Standard Wall Plate w/ HDMI® Connector & Pigtail	36
HDMI® Keystone Insert	36

Keystone Jacks **Page 37**

Category 3 Keystone Jacks	39
Category 5e Keystone Jacks	39



Keystone Jacks (Cont'd)

Category 6 Keystone Jacks	40
Category 6A Keystone Jacks	40
Jack Termination Tool	40
1 GHz F-Connector Keystone	41
2.4 GHz F-Connector Keystone	41
3.0 GHz F-Connector Keystone	41
Blank Keystone Insert	41
Binding Post	41
RCA to 110-Punchdown	41
RCA to RCA	42

Keystone Plates

Page 43

Keystone Plates Features & Specs	45
Standard Size Keystone Plates	46-47
Mid-Size Keystone Plates	47-48
Keystone Décor Inserts	48

Telephone Accessories

Page 49

Color-Rite™ Standard Size Phone Plates	51
Color-Rite™ Mid-Size Phone Plates	51
Color-Rite™ Dual Phone Plates	52
Color-Rite™ Quick Mount Phone Plate	52
Color-Rite™ Surface Block	52
Color-Rite™ Combination Phone/Coax Plate	52
Blank Wall Plate	53

Table of Contents



Telephone Accessories (Cont'd)

Wall Plate w/ One Hole	53
Coax Wall Plate - Standard Size	53
Coax Wall Plate - Mid-Size	54
Dual Coax Wall Plate	54
2.4 GHz Coax Wall Plate	54
Color-Rite™ Decor Combo Phone/Coax Insert	55
Décor Coax Wall Plate	55
Décor Wall Plates	55
Surface Mount Boxes.....	56

Coaxial Connectors

Page 57

F-Connector Compression	59
Crimpless Male Twist-On Connector	59
Crimp On Male w/ Attached 1/2" Crimp Ring	59
F-Connector Right Angle Adapter	59
F-Connector Splice	59
BNC Compression Connector	59
BNC Male Crimp	59
BNC Male Twist-On	60
BNC Male Quick Crimp	60
BNC Female Twist-On	60
BNC T-Adapter	60

Coaxial Connectors (Cont'd)

BNC Double Female Adapter	60
BNC Male to RCA Male	60
BNC Male to RCA Female	60
BNC Male to F Female	60
BNC Female to F Male	61
BNC Female to RCA Male	61
RCA Compression Connector	61
RCA Female to F Female	61
RCA Male to F Female	61
UY IDC Connector	61
UR IDC Connector	61
RJ45	62
RJ11	62
RJ12	62
1 GHz Splitters	62

Patch Panels & Accessories

Page 63

Category 5e, 12-Port Mini Patch Panel	65
Category 6, 12-Port Mini Patch Panel	65
Category 5e, 12-Port Universal Patch Panel	65
Category 6, 12-Port Universal Patch Panel	65
Category 5e, 24-Port Universal Patch Panel	65
Category 6, 24-Port Universal Patch Panel	65
Category 5e, 48-Port Universal Patch Panel	65
Category 6, 48-Port Universal Patch Panel	65

Patch Panels & Accessories (Cont'd)

19" Rack Cable Management Wire Holder	66
1U Hinged Wall Mount Bracket	66
2U Hinged Wall Mount Bracket	66
Drawings & Dimensions	66
Category 5e Patch Cords	68
Category 6 Patch Cords	68

Reference

Page 69

Warranty Information	69
Industry Terms & Definitions	69
Product Index	70-72

Home Theater

Wall Plates | Power Relocation | Rough-In Brackets



Hiding A/V cables from flat screen TVs, media streaming devices, and other home theater equipment has never been easier. We understand that each home is unique, and with our vast selection of unique and exclusive cable plates you will certainly find a product to fit every home theater installation, no matter how simple or complex it may be.



Home Theater

Recessed Low Voltage Cable Plates	11
Rough- In Hole Saw Plate	11
1 3/4" Hole Saw Plate	12
Cable Plate w/ Flexible Opening	12
Flexible Split Plate	12
Recessed Décor Inserts	13
Low Voltage Mounting Brackets	14
Recessed Media Box	14
Recessed Low Voltage Cable Plate w/ Recessed Power	14
Recessed Pro-Power Kits	15
Recessed Low Voltage Media Plates	16
Expandable Media Box	17
Recessed Media Box II	18
Recessed Low Voltage Mid-Size Plates	19
Décor USB Charger	20
Surround Sound Plates	20
Rough-In Brackets	21

DATA COMM
ELECTRONICS™

Recessed Low Voltage Cable Plates

- Available in 1-gang, 2-gang, and 3-gang
- Available in 5 colors
- Can be installed with the opening facing up or down
- Designed to be used with 1-gang, 2-gang and 3-gang low voltage mounting brackets made by any major manufacturer

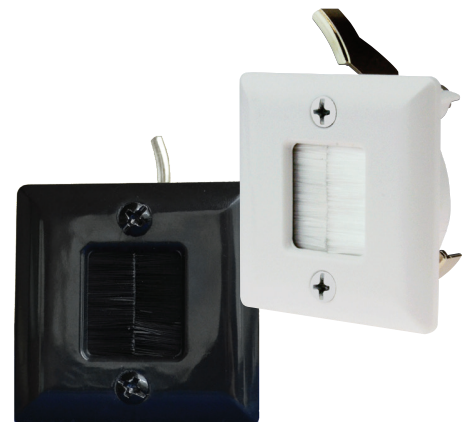
Part Number	Description
45-0001-BK	1-Gang, Black
45-0001-BR	1-Gang, Brown
45-0001-IV	1-Gang, Ivory
45-0001-LA	1-Gang, Lite Almond
45-0001-WH	1-Gang, White
45-0011-WH	1-Gang, White, Mid-Size
45-0002-BK	2-Gang, Black
45-0002-BR	2-Gang, Brown
45-0002-IV	2-Gang, Ivory
45-0002-LA	2-Gang, Lite Almond
45-0002-WH	2-Gang, White
45-0003-BK	3-Gang, Black
45-0003-LA	3-Gang, Lite Almond



1 3/4" Hole Saw Plate

- Low profile fits behind the industry's thinnest mounts and TV's
- Conceal low voltage cables behind your flat panel TV
- Ideal for HDMI, security, or speaker cable pass-through
- Metal mounting wings are attached to the plate for a secure installation
- No low voltage mounting bracket required

Part Number	Description
45-0006-WH	1 3/4" Hole Saw Plate, White
45-0006-BK	1 3/4" Hole Saw Plate, Black (with Black Brush)



Rough- In Hole Saw Plate

- Low profile fits behind the industry’s thinnest mounts and TVs
- Ideal for HDMI, security, or speaker cable pass-through
- Easy nail-on mounting
- Two loops on back for tying off cables

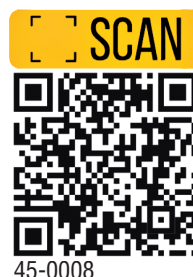
Part Number	Color
45-0007-WH	White



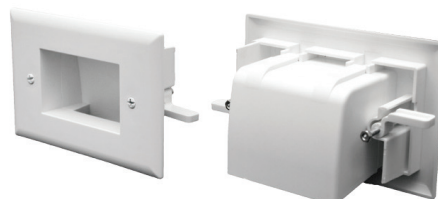
Easy Mount Recessed Low Voltage Cable Plate

- Conceal multiple A/V cables behind your flat panel TV
- Can be installed with the opening facing up or down
- Mounting wings are molded into the plate and fasten tightly against the back of the drywall
- Slim fit size (Part # 45-0009) is designed for applications where the wall cavity is 3/4” to 1” in depth

- Available in 4 colors
- Available in 2 sizes



Part Number	Description
45-0008-BK	Easy Mount Cable Plate, Black
45-0008-IV	Easy Mount Cable Plate, Ivory
45-0008-LA	Easy Mount Cable Plate, Lite Almond
45-0008-WH	Easy Mount Cable Plate, White
45-0009-LA	Easy Mount Cable Plate (Slim Fit), Lite Almond
45-0009-WH	Easy Mount Cable Plate (Slim Fit), White



Flexible Split Plate

- Allows additional cables to be added without disconnecting existing cables
- Installs onto a low voltage mounting bracket
- Allows you to keep the opening in the wall covered while passing low voltage cables through the wall
- Holds up to 6 cables

Part Number	Description
45-0017-BK	Split Plate w/ Flexible Opening, Black
45-0017-IV	Split Plate w/ Flexible Opening, Ivory
45-0017-LA	Split Plate w/ Flexible Opening, Lite Almond
45-0017-WH	Split Plate w/ Flexible Opening, White



Décor Brush Plate



- Low profile design fits behind the industry's thinnest mounts and TV's
- Conceal multiple low voltage cables behind your flat panel TV
- Easily holds up to 6 cables
- Mounts flush with a décor style wall plate (included)
- Mounts to a standard low voltage mounting ring, old work

Part Number	Description
45-0018-WH	Décor Brush Plate w/ Décor Cover Plate, White

Reverse Nose Décor Insert

- Holds up to 4 cables
- Mounts flush with a décor style wall plate
- Allows cable mangement inside the wall
- Perfect for eliminating connections at the wall
- Available in 5 colors
- ETL Listed

Part Number	Color
45-0004-BK	Black
45-0004-BR	Brown
45-0004-IV	Ivory
45-0004-LA	Lite Almond
45-0004-WH	White



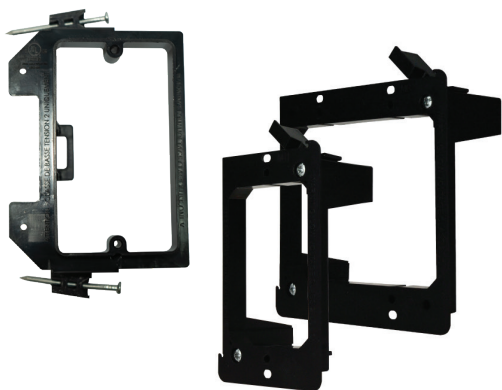
Décor Insert w/ Flexible Opening



- Holds up to 4 cables
- Mounts to a standard low voltage mounting ring, old work ring, or mud ring
- Flexible opening helps keep low voltage pass-through area covered
- Perfect for eliminating connections at the wall
- Available in 4 colors
- ETL Listed

Part Number	Color
45-0016-BK	Black
45-0016-IV	Ivory
45-0016-LA	Lite Almond
45-0016-WH	White

Low Voltage Mounting Brackets



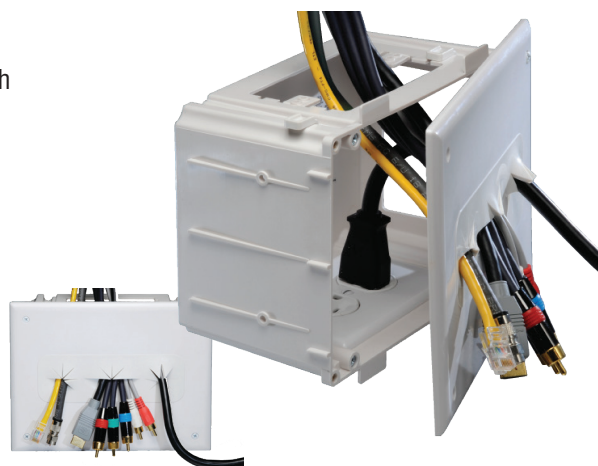
- Adjusts to fit 1/4" to 1.00" thick drywall
- Screw-on bracket equipped with mounting wings that fasten against the back of the drywall as you tighten
- Nail-In bracket used for new construction applications
- Quick and easy to install - for mounting low voltage cable plates
- Horizontal or vertical mounting

Part Number	Description
60-0011-N	1-Gang Low Voltage Nail-In Mounting Bracket
60-0021-S	1-Gang Low Voltage Mounting Screw-On Bracket
60-0022-S	2-Gang Low Voltage Mounting Screw-On Bracket

Recessed Media Box

- Installs power and low voltage cables behind your flat panel TV, amplifier, or other audio/video devices in your equipment room
- Designed for new construction or retrofit installations
- Flexible front cover plate gives our Recessed Media Box the clean finish your customers expect.

45-0010



Part Number	Description
45-0010-WH	Recessed Media Box, White
45-0010-BK	Recessed Media Box, Black

Recessed Low Voltage Cable Plate w/ Recessed Power



- Use with either a single gang new work box or old work box
- Grounded 15 Amp recessed receptacle allows you to install power behind your HDTV
- Mounting wings are molded into the plate and fasten tightly against the back of the drywall; the wings are designed for use in walls up to 1" thick

Part Number	Color
45-0021-WH	White

45-0021-WH *Cables not included

Recessed Pro Power Kits

DataComm Electronics' Recessed Pro Power Kits are the perfect solution for installing power and low voltage cables behind your HDTV, AVR, and other audio/video devices. These kits work with the industry's thinnest mounts and TVs which allow you to pass low voltage cables and power through the wall, creating a professional and clean look for every home theater.

Straight Blade Inlet

Parts Included:

- Recessed Cable Plate with 15A single receptacle
- Recessed Cable Plate with Straight Blade Inlet
- Two (2) outlet boxes
- 6 ft. 16/2 with ground extension cord
- Three (3) wire nuts

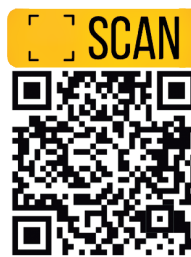


Part Number

Color

45-0023-WH

White



45-0023

Duplex Surge Suppressor & Straight Blade Inlet



Surge Suppressor Features:

- › Maximum surge current - 1,500 amps
- › Clamping response time - 1 nanosecond
- › Hot/Neutral, Hot/Ground, Neutral/Ground
- › Total maximum surge dissipation - 240 joules

Parts Included:

- Recessed Low Voltage Mid-Size Plate w/ Duplex Surge Suppressor
- Recessed Low Voltage Cable Plate w/ Straight Blade Inlet
- 6 ft. 16/2 w/ Ground Cord Set w/ 360° rotating flat head
- Two (2) outlet boxes
- 15 Amp/125 Volt Duplex Receptacle (45-0024-WH or Surge Suppressor Receptacle (45-0028-WH)

Part Number

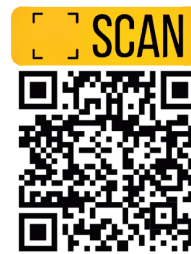
Receptacle

45-0024-WH

15 amp/125 volt Duplex

45-0028-WH

15 amp/125 volt Duplex Surge



45-0024

Recessed Low Voltage Media Plates

DataComm Electronics' patented Recessed Low Voltage Media Plates offer the convenience of a duplex receptacle and a recessed plate with enough room to store your low voltage cables behind your HDTV.

Features

Part # 45-0031-WH

- Low profile design fits behind the industry's thinnest mounts and TVs
- Conceal multiple A/V cables behind your flat panel TV
- Tamper resistant 15 Amp/125 Volt duplex receptacle
- Outlet box included
- Mounting wings are attached to the media plate and fasten tightly against the back of the drywall
- Quick and easy to install
- No additional parts required



Part # 45-0041-WH | Surge Suppressor Features

- 15 Amp/125 Volt w/ Duplex Surge Suppressor
 - › Audible alarm sounds when surge suppressor is no longer functioning
 - › Maximum surge current - 12,000 amps
 - › Peak suppression voltage - 1,000 volts
 - › Hot/Neutral, Hot/Ground, Neutral/Ground
 - › Total maximum surge dissipation - 340 joules



Part# 45-0032-WH | 20 Amp w/ Steel Outlet Box Model Features

- 20 Amp/125 Volt duplex receptacle (5-20R)
 - › 2 Pole
 - › 3W
 - › Rear wire with side screw terminals
 - › Tamper resistant
- Steel outlet box included
 - › 2.75" single gang
 - › Contains 8 knockouts for conduit or armored cable mounting options
 - › Ideal for commercial applications or when required by residential building codes
 - › Also ETL Listed in Canada



Part Number

Description

45-0031-WH	Recessed Low Voltage Media Plate w/ Duplex Receptacle, White
45-0041-WH	Recessed Low Voltage Media Plate w/ Duplex Surge Suppressor, White
45-0032-WH	Recessed Low Voltage Media Plate w/ 20 Amp Duplex Receptacle, White

Expandable Media Box

DataComm Electronics' Expandable Media Box is designed to streamline power and cable management behind your HDTV. The expandable portion of the media box allows for maximum storage hidden behind your TV, while still allowing your TV to be mounted flush to the wall.

Features

Part # 45-0051-WH | ETL US Only

- Wall box storage capacity increases by 75% when the expandable portion is extended behind the wall
- There are two openings inside of the Expandable Media Box, one on the top and one on the bottom. Three (3) interchangeable plates are included to cover these openings, allowing for multiple configuration options. The three (3) plates include:
 - › Flexible Opening Plate
 - › 6-Port Keystone Plate
 - › Blank Plate
- UL Listed, 15 Amp/125 Volt Duplex Receptacle
- Outlet box included
- Metal mounting wings are attached to the media plate and fasten tightly against the back of the drywall when installed
- Available in three (3) models
- Quick and easy to install





45-0051

Part Number	Description
45-0051-WH	w/ 15 Amp/125 Volt Duplex Receptacle
45-0061-WH	w/ 15 Amp/125 Volt Surge Suppressor
45-0052-WH	w/ 20 Amp/125 Volt Duplex Receptacle

Part # 45-0061-WH | Surge Suppressor Features | ETL US Only

UL Listed 15 Amp/125 Volt Duplex Surge Receptacle:

- Maximum surge current - 15,000 amps
- Clamping response time - 1 nanosecond
- Hot/Neutral, Hot/Ground, Neutral/Ground
- Total maximum surge dissipation - 480 joules



Part # 45-0052-WH | 20 Amp Model w/ Steel Outlet Box Features ETL US & CAN

UL Listed 20 Amp/125 Volt Duplex Receptacle:

- 2 pole
- 3W
- Rear connection with side screw terminals
- Tamper resistant



Recessed Media Box II

DataComm Electronics' Recessed Media Box II is designed to streamline power and cable management behind your HDTV. The box features a side cover plate with knockouts for conduit or tube making it ideal for rough-in applications while allowing your TV or other display to be mounted flush to the wall. Requires part number 45-0102 for rough-in applications.

Features

Part # 45-0053-WH | ETL US Only

- Side cover plate features 3/4" and 1" knockouts for conduit or tube
- There are two openings inside of the Recessed Media Box, one on the top and one on the bottom. Three (3) interchangeable plates are included to cover these openings, allowing for multiple configuration options. The three (3) plates include:
 - › Flexible Opening Plate
 - › 6-Port Keystone Plate
 - › Blank Plate
- UL Listed, 15 Amp/125 Volt Duplex Receptacle
- Outlet box included
- Metal mounting wings are attached to the media plate and fasten tightly against the back of the drywall when installed
- Available in three (3) models
- Quick and easy to install



Part Number	Description
45-0053-WH	w/ 15 Amp/125 Volt Duplex Receptacle
45-0063-WH	w/ 15 Amp/125 Volt Surge Suppressor
45-0054-WH	w/ 20 Amp/125 Volt Duplex Receptacle

Part # 45-0063-WH | Surge Suppressor Features | ETL US Only

UL Listed 15 Amp/125 Volt Duplex Surge Receptacle:

- Maximum surge current - 15,000 amps
- Clamping response time - 1 nanosecond
- Hot/Neutral, Hot/Ground, Neutral/Ground
- Total maximum surge dissipation - 480 joules



Part # 45-0054-WH | 20 Amp Model w/ Steel Outlet Box Features ETL US & CAN

UL Listed 20 Amp/125 Volt Duplex Receptacle:

- 2 pole
- 3W
- Rear connection with side screw terminals
- Tamper resistant



Recessed Low Voltage Mid-Size Plate

DataComm Electronics' Recessed Low Voltage Mid-Size Plate is designed to streamline power and cable management behind wall mounted displays. This plate is available in three (3) models including surge and commercial grade options.

Features

Part # 45-0071-WH | ETL US Only

- Low profile design fits behind the industry's thinnest mounts and TVs
- Conceal multiple A/V cables behind your flat panel TV
- UL Listed 15A / 125V duplex receptacle (45-0071-WH is tamper resistant)
- Outlet box included
- Metal mounting wings are attached to the media plate and fasten tightly against the back of the drywall
- Flexible screen closes the interior opening of the mid-size plate
- Quick and easy install



Part Number	Description
45-0071-WH	w/ 15 Amp/125 Volt Duplex Receptacle
45-0081-WH	w/ 15 Amp/125 Volt Surge Suppressor
45-0072-WH	w/ 20 Amp/125 Volt Duplex Receptacle

Part # 45-0081-WH | Surge Suppressor Features

ETL US Only

UL Listed 15 Amp/125 Volt Duplex Surge Receptacle:

- Maximum surge current - 15,000 amps
- Clamping response time - 1 nanosecond
- Hot/Neutral, Hot/Ground, Neutral/Ground
- Total maximum surge dissipation - 480 joules



Part # 45-0072-WH | 20 Amp Model w/ Steel Outlet Box Features | ETL US & CAN

UL Listed 20 Amp/125 Volt Duplex Receptacle:

- 2 pole
- 3W
- Rear wire connection with side screw terminals
- Tamper resistant



Décor Duplex 4.0 Amp USB Charger



- Compatible with USB 2.0 devices
- Fits in most major manufacturers décor style wallplates
- 4.0 Amp USB charging capacity
- Two 15 Amp / 125 Volt tamper resistant receptacles
- ETL Listed

Part Number	Description
48-0204-WH	Décor Duplex 4.0 Amp USB Charger, White

5.1 Surround Sound Plate

- Includes 2-gang white plate with 5-pair binding post for the front-left, front-right, rear-right, rear-left and center speakers
- Includes 1 RCA jack with f-connector for a subwoofer
- Installs in a NEMA 2-gang box or low voltage mounting bracket

Part Number	Description
45-0060	5.1 Surround Sound 2-Gang Plate



7.2 Surround Sound Plate



- Preconfigured plate with front and back gold plated push-pin banana plug connectors
- Eliminates tedious work and decreases labor cost by 20%
- No wire pull-outs
- Automatic conductor adjustment ensures perfect conductivity every time
- Connector labeling simplifies room setup and configuration

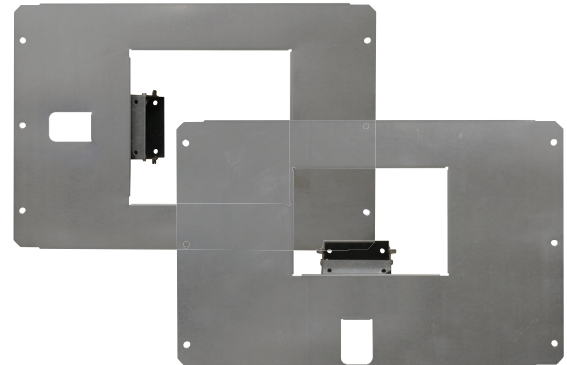
Part Number	Description
45-0070	7.2 Surround Sound 2-Gang Plate

New Construction Rough-In Brackets

DataComm Electronics' Rough-In Brackets are the perfect solution for commercial installers. Designed to be used in new construction applications, these rough-in brackets work with several of DataComm's power plates so you can easily create any solution with only two parts.

Features

- Sturdy 22GA galvanized steel construction bracket
- Works for both residential and commercial applications
- 16" on center metal or wood studs works with your choice of power plate
- 2 3/4" single gang steel outlet box contains 8 knockouts for conduit or armored cable mounting options
- Built-in mud ring for drywall trim out
- Reversible for customizable receptacle placement on top, bottom (45-0101), left, or right (45-0102)



Part Number	Description
45-0101	16" Mid-Size Rough-In Bracket
45-0102	16" Full-Size Rough-In Bracket

Mid-Size Rough-In Bracket (45-0101) works with the following DataComm Electronics part numbers:

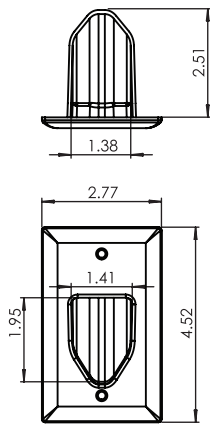
- 45-0071-WH - Recessed Low Voltage Mid-Size Plate w/ 15 Amp/ 125 Volt Duplex Receptacle pg 19
- 45-0072-WH - Recessed Low Voltage Mid-Size Plate w/ 20 Amp/ 125 Volt Duplex Receptacle pg 19
- 45-0081-WH - Recessed Low Voltage Mid-Size Plate w/ 15 Amp/ 125 Volt Duplex Surge Receptacle pg 19

Full-Size Rough-In Bracket (45-0102) works with the following DataComm Electronics part numbers:

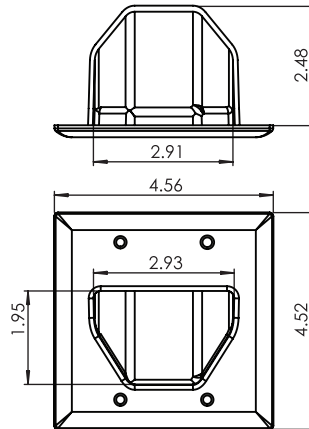
- 45-0031-WH - Recessed Low Voltage Media Plate w/ 15 Amp/ 125 Volt Duplex Receptacle pg 16
- 45-0032-WH - Recessed Low Voltage Media Plate w/ 20 Amp/ 125 Volt Duplex Receptacle pg 16
- 45-0041-WH - Recessed Low Voltage Media Plate w/ 15 Amp/ 125 Volt Duplex Surge Receptacle pg 16
- 45-0051-WH - Expandable Media Box w/ 15 Amp/ 125 Volt Duplex Receptacle pg 17
- 45-0052-WH - Expandable Media Box w/ 20 Amp/ 125 Volt Duplex Receptacle pg 17
- 45-0061-WH - Expandable Media Box w/ 15 Amp/ 125 Volt Duplex Surge Receptacle pg 17
- 45-0053-WH - Recessed Media Box w/ 15 Amp/ 125 Volt Duplex Receptacle pg 18
- 45-0054-WH - Recessed Media Box w/ 20 Amp/ 125 Volt Duplex Receptacle pg 18
- 45-0063-WH - Recessed Media Box w/ 15 Amp/ 125 Volt Duplex Surge Receptacle pg 18

Drawings & Dimensions

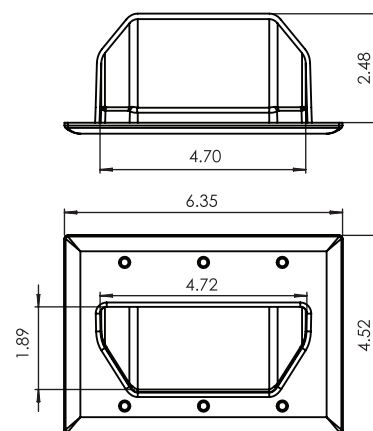
45-0001-XX: 1-Gang Recessed Low Voltage Cable Plate



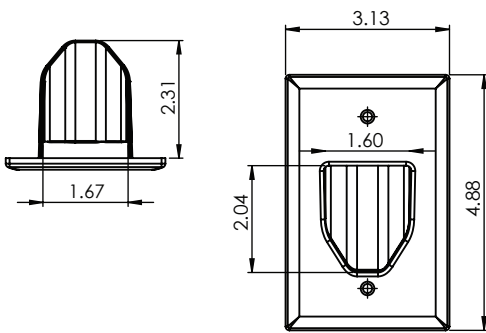
45-0002-XX: 2-Gang Recessed Low Voltage Cable Plate



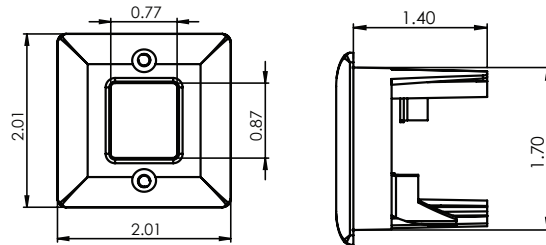
45-0003-XX: 3-Gang Recessed Low Voltage Cable Plate



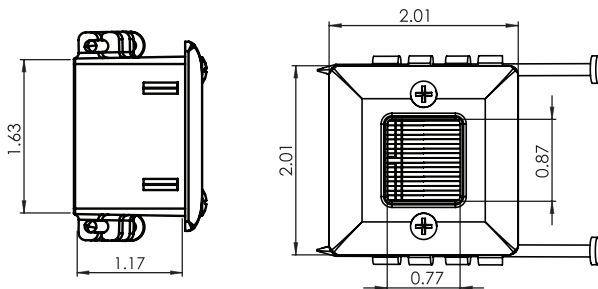
45-0011-WH: 1-Gang Mid-Size Recessed Low Voltage Cable Plate



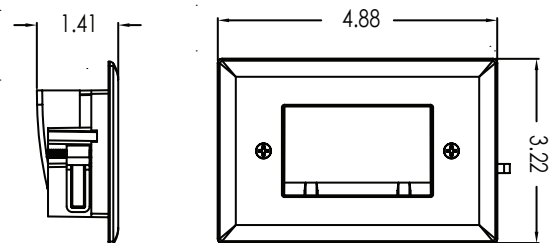
45-0006-WH: 1 3/4" Hole Saw Plate



45-0007-WH: Rough-In Hole Saw Plate

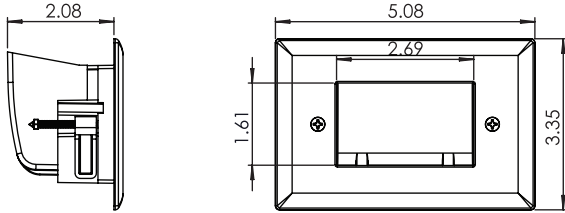


45-0008-XX: Easy Mount Recessed Low Voltage Cable Plate

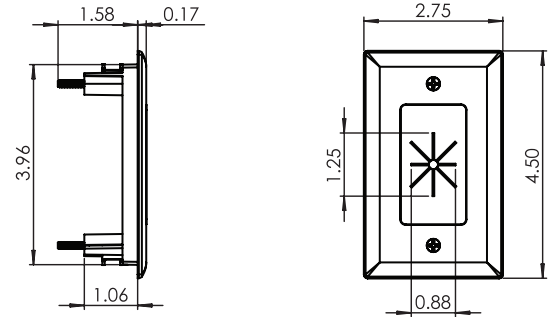


Drawings & Dimensions

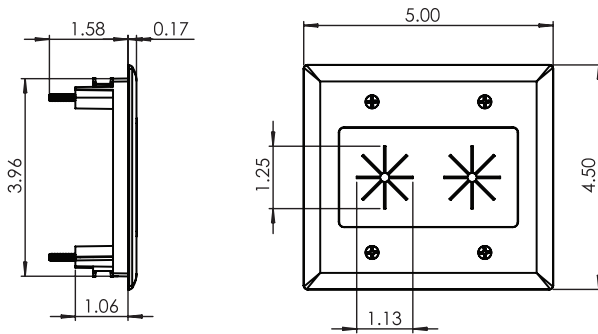
45-0009-XX: Easy Mount Recessed Low Voltage Cable Plate (Slim Fit)



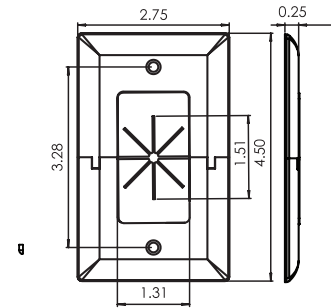
45-0014-XX: 1-Gang Cable Plate w/ Flexible Opening



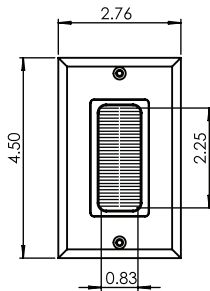
45-0015-XX: 2-Gang Cable Plate w/ Flexible Opening



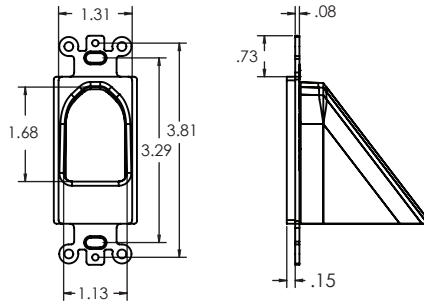
45-0017-XX: Flexible Split Plate



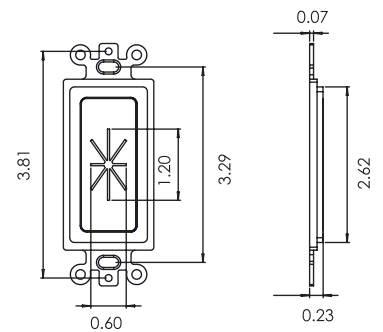
45-0018-WH: Décor Brush Plate



45-0004-XX: Reverse Nose Décor Insert

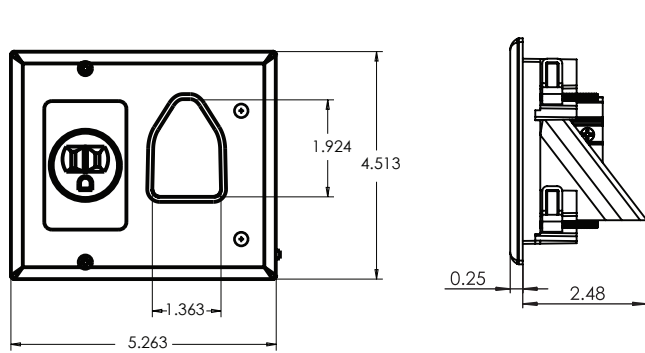


45-0016-XX: Décor Insert w/ Flexible Opening

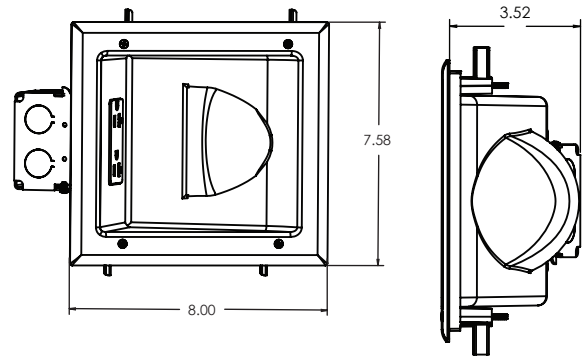


Drawings & Dimensions

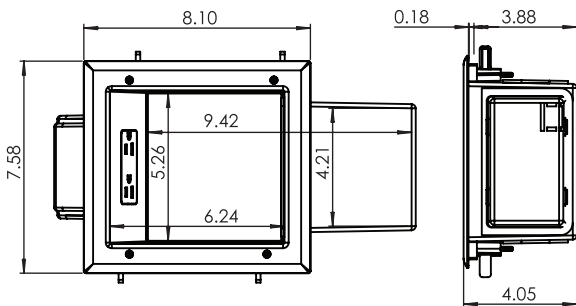
- 45-0021-WH:** Recessed Low Voltage Cable Plate w/ Recessed Power
- 45-0022-WH:** Recessed Pro Power Kit w/ Locking Inlet (dimensions apply to top and bottom plate)
- 45-0023-WH:** Recessed Pro Power Kit w/ Straight Blade Inlet (dimensions apply to top and bottom plate)



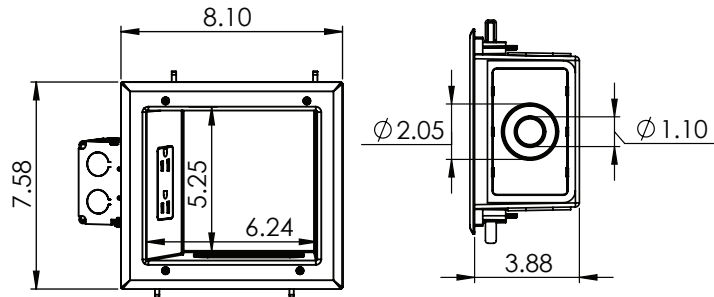
- 45-0031-WH, 45-0032-WH, 45-0041-WH:** Recessed Low Voltage Media Plates



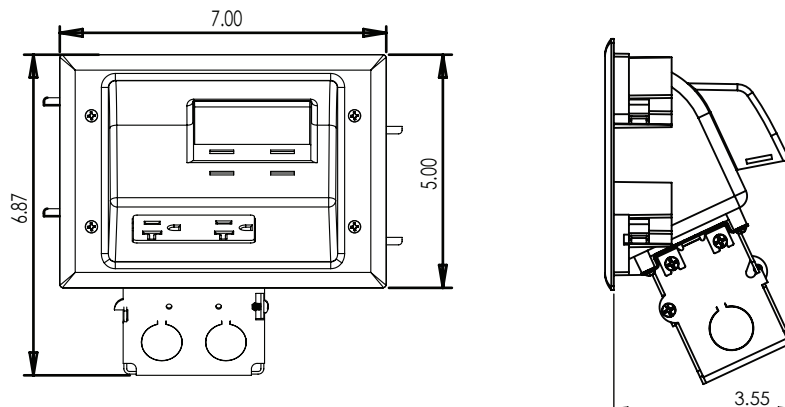
- 45-0051-WH, 45-0052-WH, 45-0061-WH:** Expandable Media Box



- 45-0053-WH, 45-0054-WH, 45-0063-WH:** Recessed Media Box II

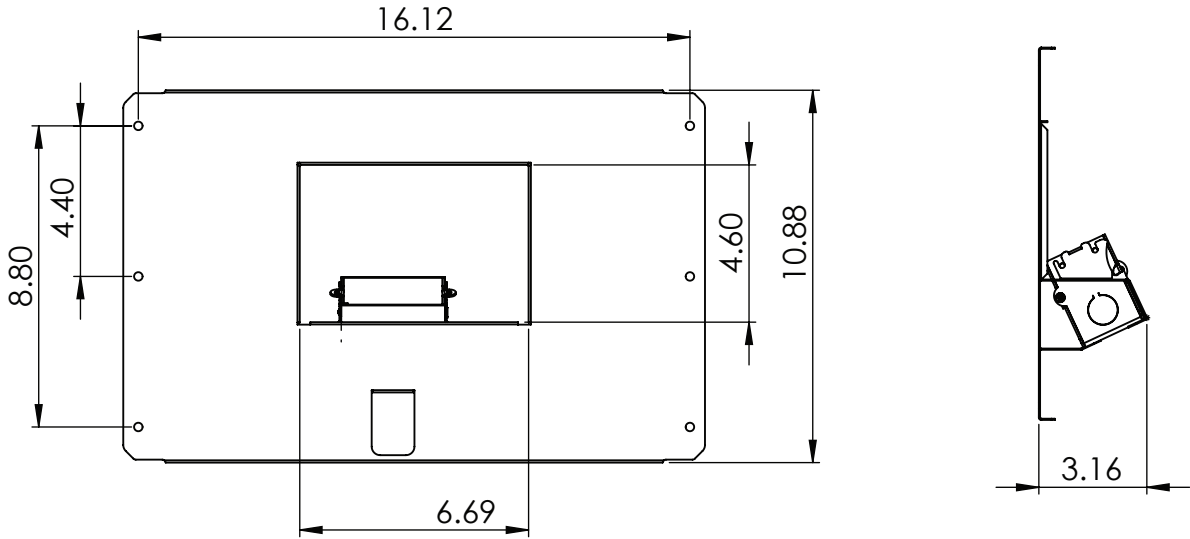


- 45-0071-WH, 45-0072-WH, 45-0081-WH:** Recessed Low Voltage Mid-Size Plate
- 45-0024-WH:** Recessed Pro Power Kit w/ Duplex Receptacle & Straight Blade Inlet (top plate)
- 45-0028-WH:** Recessed Pro Power Kit w/ Duplex Surge & Straight Blade Inlet (top plate)

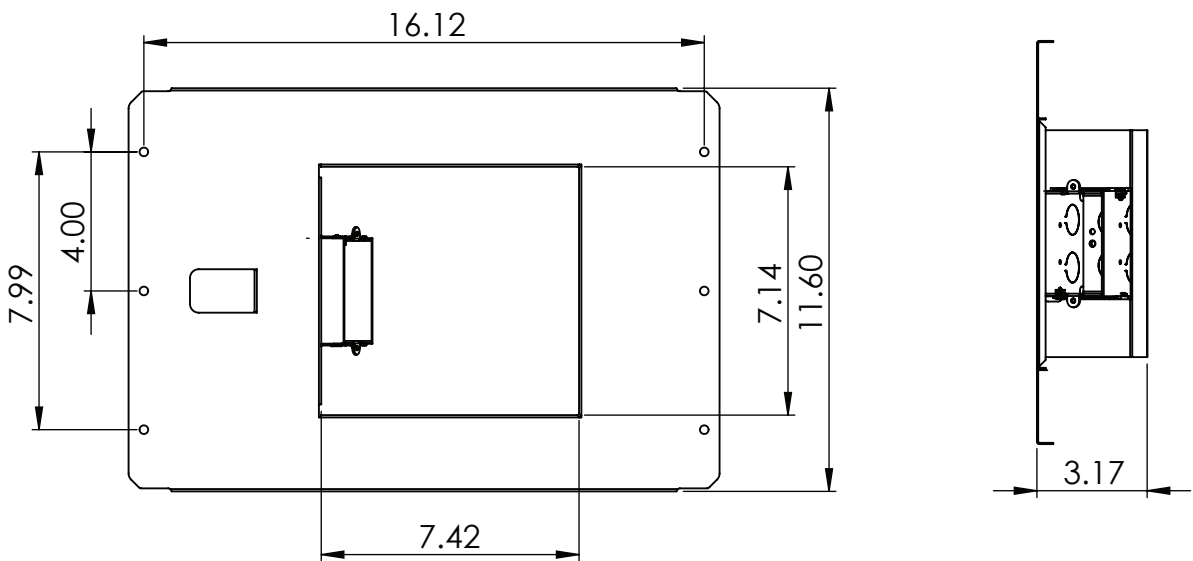


Drawings & Dimensions

45-0101
16" Mid-Size Rough-In Bracket



45-0102
16" Full-Size Rough-In Bracket



Home Command - Structured Wiring

Enclosures | Modules | Phone/Video Termination



DataComm Electronics
Structured Wiring Modules

Page 31



DataComm Electronics' Home Command Center (HCC) products are an innovative approach to structured wiring systems. Design features include side wire management, universal mounting holes and integrated support for security and media modules. Our HCC products are offered in a variety of sizes and configurations to meet the specific needs of our installers.

Home Command

Plastic Enclosures	28
Connected Media Box	29
Cable Trench System	30
Cable Trench System Parts	30
1 x 8 Telephone Module	31
Category 5e Data Module	31
Category 6 Data Module	31
AC Power Duplex Surge Module	31
Splitter Modules	31
Home Command Center II	32
4-Gang 110 Phone Plate	32
2-Gang 110 Phone Plate	32

DATA COMM
ELECTRONICS™



15" & 30" Plastic Enclosure

DataComm Electronics new Plastic Enclosures are designed to provide more options and flexibility for meeting your digital and analog communication needs. The ABS construction allows you to access the full reach of your wireless network by reducing interference with Wi-Fi signals.

Features

- Made of ABS plastic
- Mid-section hole pattern allows for most standard modules to be installed
- ABS construction reduces interference with Wi-Fi signals
- Packaged and sold in master packs of 5 individual units to save space and reduce waste
- All Enclosures conform to UL Standard 2416, CAN/CSA STD C22.2 NO.60950-7-07 and are ETL Listed
- Individual enclosures available for quantities up to 10

Part Number	Description	UOM	Order Quantity
80-1500-SC	15" Plastic Enclosure and Screw Cover	Each	1
80-1500-5-STACK	Stacked 15" Enclosure Boxes	Each	5
80-1500-SC-5	Stacked 15" Screw Covers	Each	5
80-1530-5-STACK	Stacked 30" Enclosure Boxes	Each	5
80-1530-HC-5	Stacked 30" Hinge Doors	Each	5
80-1530-HC	30" Plastic Enclosure and Hinge Cover	Each	1

SAVE \$
TRY OUR
5 PACKS!



Connected Media Box

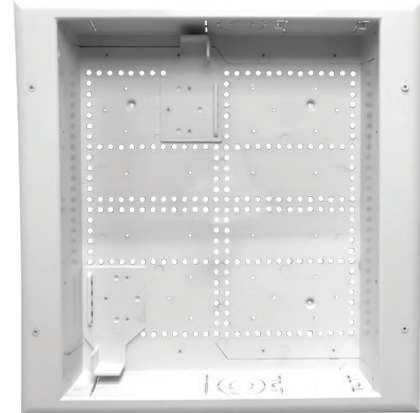
DataComm Electronics' Connected Media Box allows you to hide large power sources like the Samsung One Connect Box behind your TV. With the ability to add power solutions to this box you can give your TV the wireless look you want.

Features

Part # 45-8017-1

- Mounting brackets included to securely hold the One Connect Box or other TV power sources
- 2 (two) 18" hook and loop fasteners included to strap power source firmly to brackets
- Two large knockouts to allow access to USB ports
- Multiple knockouts for conduit up to 2" diameter
- Includes knockouts for a single gang J-Box power module
- Standard 1" x 6" hole pattern
- Can be installed in new construction or retro-fit applications
- Flush with the wall
- Open trim ring to allow air flow

Use trim ring when installing with a tilted, articulating, or full-motion TV mount. Use without trim ring when installing the TV directly on the wall with a fixed TV mount.



Part # 45-8011-1P - with 15 Amp/125 Volt Duplex Receptacle

- UL Listed, 15 Amp/125 Volt Duplex Receptacle
- Outlet box included

Part # 45-8021-1S - with Duplex Surge Suppressor

- UL Listed, 15 Amp/125 Volt Duplex Surge Receptacle
- Maximum surge current - 15,000 amps
- Clamping response time - 1 nanosecond
- Hot/Neutral, Hot/Ground, Neutral/Ground
- Total maximum surge dissipation - 480 joules
- Outlet box included

Part # 45-8031-1C - with Commercial Grade Duplex Receptacle

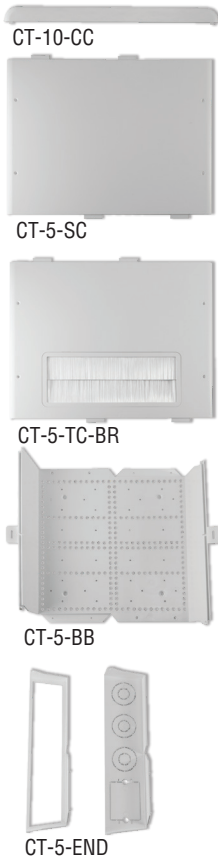
- UL Listed, 20 Amp/125 Volt Duplex Receptacle
- 2 pole
- 3W
- Rear connection with side screw terminals
- Tamper resistant
- Metal outlet box included



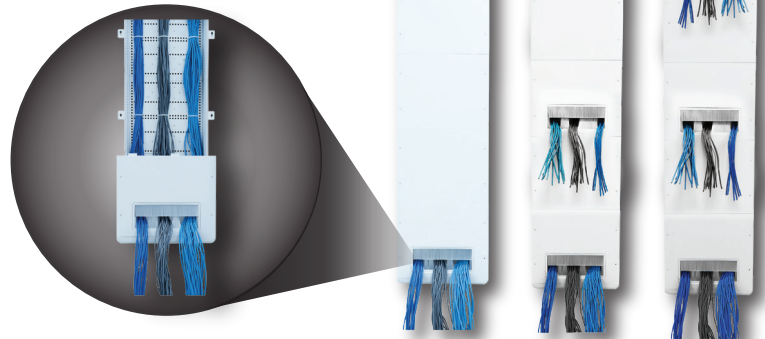
Part Number	Description
45-8017-1	Connected Media Box without power
45-8011-1P	Connected Media Box with 15A/125V Duplex Receptacle
45-8021-1S	Connected Media Box with 15A/125V Duplex Surge Suppressor
45-8031-1C	Connected Media Box with 20A/125V Duplex Receptacle

Cable Trench System

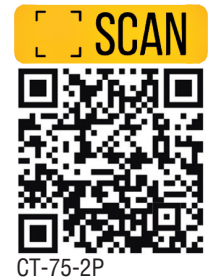
DataComm Electronics 15" plastic enclosure sections can be used to create a customized Cable Trench System that is designed to help manage the large bundles of bulk wire behind a rack installation. The added feature of a cable passthrough section with multiple cover options gives you more control over your installation.



Customizable covers and sections



Part Number	Description	Quantity
CT-75-2P	15" Stackable Enclosure Box	5
	15" Gangable Solid Cover	4
	15" Open Cover with Brush	1
	Cover Caps	2
	Open End Cap and Knockout End Cap	1
CT-10-CC	Cover Caps	5
CT-5-SC	Unfinished Solid Cover	5
CT-5-TC-BR	Unfinished Open Cover with Brush	5
CT-5-BB	Unfinished Enclosure Box	5
CT-5-END	Open End Cap and Knockout End Cap	5



15" Cable Trench Enclosure - p/n 80-1500-BR

DataComm Electronics' 15" Plastic Enclosure with Brush Cover is a great option for small to medium jobs that will not fit the full Cable Trench System.

Features

- Protects cables from punctures
- Service loops and call backs become more manageable
- Universal hole pattern allows for most standard modules to be installed
- Surface or flush mountable (additional parts needed for surface mounting)
- Includes 2 knockouts for single gang J-Box power module (Part #: 80-0050)
- ABS construction reduces interference with Wi-Fi signals

Part Number	Description
80-1500-BR	15" Cable Trench Enclosure with Brush Cover



1 x 8 Telephone Module

- Used for adding up to 4 phone lines to 8 locations in your home
- Supports up to 8 (4 line) outlets for phone, fax, and other devices
- RJ45 expansion port for connecting additional phone modules
- Includes RJ31 security port
- Color coded 110 style punch-down connections
- Phone lines are wired according to TIA/EIA-568 requirements



Part Number	Description
80-0070	1 x 8 Telephone Module

Category 5e & 6 Data Modules

- Used to simplify and organize your network wiring terminations
- Non-bridged Category 5e or 6 data board with 4 pair 110 type IDC punchdown connectors providing high performance connectivity
- 8 category 5e RJ45 ports
- Complies with all TIA/EIA-568 requirements
- Requires the use of a network router switch



Part Number	Description
80-0030	Category 5e 8-Port Passive Data Module
80-0040	Category 6 8-Port Passive Data Module

Splitter Modules

- Connects video applications such as TV, HDTV, and satellite TV
- Allows up to six (6) coaxial connections in the home
- Standard F-Connector coaxial cable screws easily into the splitter

Part Number	Description
70-0036	6-Way, 2.4 GHz Splitter
70-0038	8-Way, 2.4 GHz Splitter



AC Power Duplex Surge Module

- UL listed 15A/125V duplex surge receptacle
- Audible alarm sounds if surge suppressor is no longer functioning
- Muting screw allows the alarm to be silenced until the device is replaced
- Indicator light verifies power and suppression circuit is functionality

Part Number	Description
80-0050	AC power module w/ duplex surge receptacle



Phone/Video Distribution

Home Command Center II

The Home Command Center II is our most economical structured wiring solution. Surface mounting simplifies installation while allowing signal distribution up to 8 locations. This unique design provides all these benefits in one compact enclosure.



Features

- Ideal for existing construction or installing phone and video services
- Up to 4 phone line inputs to 8 locations
- 1 video input and 8 video outputs with a frequency response up to 2.4 GHz for satellite and cable TV
- Surface mount and convenient cutouts in the mounting plate facilitate cable runs and conceal cables from view

Part Number

70-0050

Dimensions

7.268" H x 7.5 W"

4-Gang 110 Phone Plate w/ Video Distribution

- Up to 4 phone lines to 8 locations
- 6-Way 1 GHz splitter for satellite and cable TV
- Mounts into a standard NEMA 4-gang box or 4-gang mounting bracket
- RJ45 test port



Part Number

70-0078

Description

4-Gang 4 x 8 110 Phone & 1 x 6 Splitter

2-Gang 110 Phone Plate

- Up to 4 Phone lines to 8 locations
- Mounts into a NEMA 2-gang box or 2-gang, low voltage mounting bracket
- RJ45 test port



Part Number

70-0080

Description

2-Gang 110 Phone Plate

HDMI[®]

Cables | Accessories



18 Gbps HDMI[®] Cables

P/N: 46-18XX-BK

Page 35

DataComm Electronics' entire line of high performance HDMI® products offers consistent reliability and true high speed data transmission rates, ensuring signal integrity at any length.



HDMI®

TrueStream Pro 10.2 Gbps HDMI® Cables	35
TrueStream Pro 18 Gbps HDMI® Cables	35
Décor Wall Plate Insert w/ 90° HDMI® Connector	36
Wall Plates w/ HDMI Connector & Pigtail	36
HDMI® Keystone Insert	36

DATA COMM™
ELECTRONICS

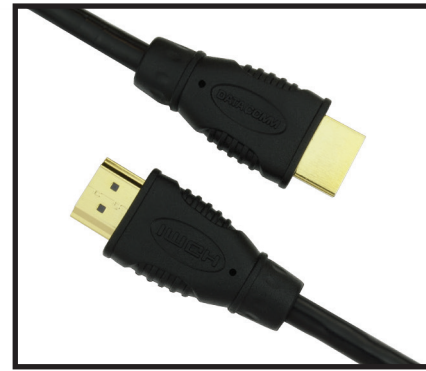


TrueStream Pro 10.2 Gbps HDMI® Cables

- True 10.2 Gbps high speed performance
- 4K Ultra HD, Full HD 1080p, and Audio Return Channel
- 1080p 60 Hz at 8 bit color depth (full 48 bit deep color depth)
- 4K 60 Hz at 8 bit color depth / 30 Hz at 10 bit color depth
- HDCP 2.2 Compliant
- Supports all HDMI® High Speed features and audio formats
- Highly flexible cable for easy installation
- Backward compatible with all HDMI versions
- CL3 rated to UL standards for use in in-wall installations

Part Number	Length	Active/Passive
46-1000-BK	1.5 ft.	Passive
46-1003-BK	3 ft.	Passive
46-1006-BK	6 ft.	Passive
46-1009-BK	9 ft.	Passive
46-1012-BK	12 ft.	Passive
46-1015-BK	15 ft.	Passive
46-1020-BK	20 ft.	Active
46-1035-BK	35 ft.	Active
46-1050-BK	50 ft.	Active

- High Speed Premium HDMI Cables -



TrueStream Pro 18 Gbps HDMI® Cables

- 18 Gbps High Speed HDMI Cables -



- True 18 Gbps bandwidth
- High Dynamic Range (HDR), 32 channel Multi-Stream Audio
- CEC Extensions, Dual-View, & 21:9 Aspect Ratio Support
- 4K Ultra HD 2160p
- 4K@24/30Hz at 16-bit color depth (4:4:4)
- 4K@60Hz up to 16-bit, color depth (4:2:0)
- HDCP 2.2 Compliant
- CL3 rated to UL standards for in-wall installation
- PrimePass Certified for guaranteed performance
- HDMI Certified

Part Number	Length	Active/Passive
46-1800-BK	1.5 ft.	Passive
46-1803-BK	3 ft.	Passive
46-1806-BK	6 ft.	Passive
46-1809-BK	9 ft.	Passive
46-1812-BK	12 ft.	Passive
46-1815-BK	15 ft.	Passive
46-1820-BK	20 ft.	Passive
46-1830-BK	30 ft.	Passive

HDMI® Accessories

DataComm Electronics' line of HDMI® accessories are the solution to connecting HDMI® products behind the wall while maintaining a clean, sleek look. These HDMI® connectors are designed with female ends on both the front and the back, making for an easy attachment to standard male-to-male HDMI® products. We offer various styles of HDMI® Inserts and Pigtail Wall Plates to meet the needs of all unique installations and applications.

Décor Plate Inserts

- Available with a single or dual 90° HDMI connector
- Compatible with all High Speed HDMI cables
- Can be installed with any manufacturer's décor style wall plate

Part Number	Description
20-4501-WH	Décor Wall Plate Insert w/ single 90° HDMI Connector
20-4502-WH	Décor Wall Plate Insert w/ dual 90° HDMI Connector



Standard HDMI Wall Plates



- Available with a single or dual HDMI connector and pigtail
- Compatible with all High Speed HDMI cables
- Décor inserts can be removed from wall plate and used in multi-gang applications
- Pigtail length - 8.5"

Part Number	Description
20-4503-WH	Standard Wall Plate w/ HDMI Connector & Pigtail
20-4505-WH	Standard Wall Plate w/ Dual HDMI Connector & Pigtail

HDMI Keystone Inserts

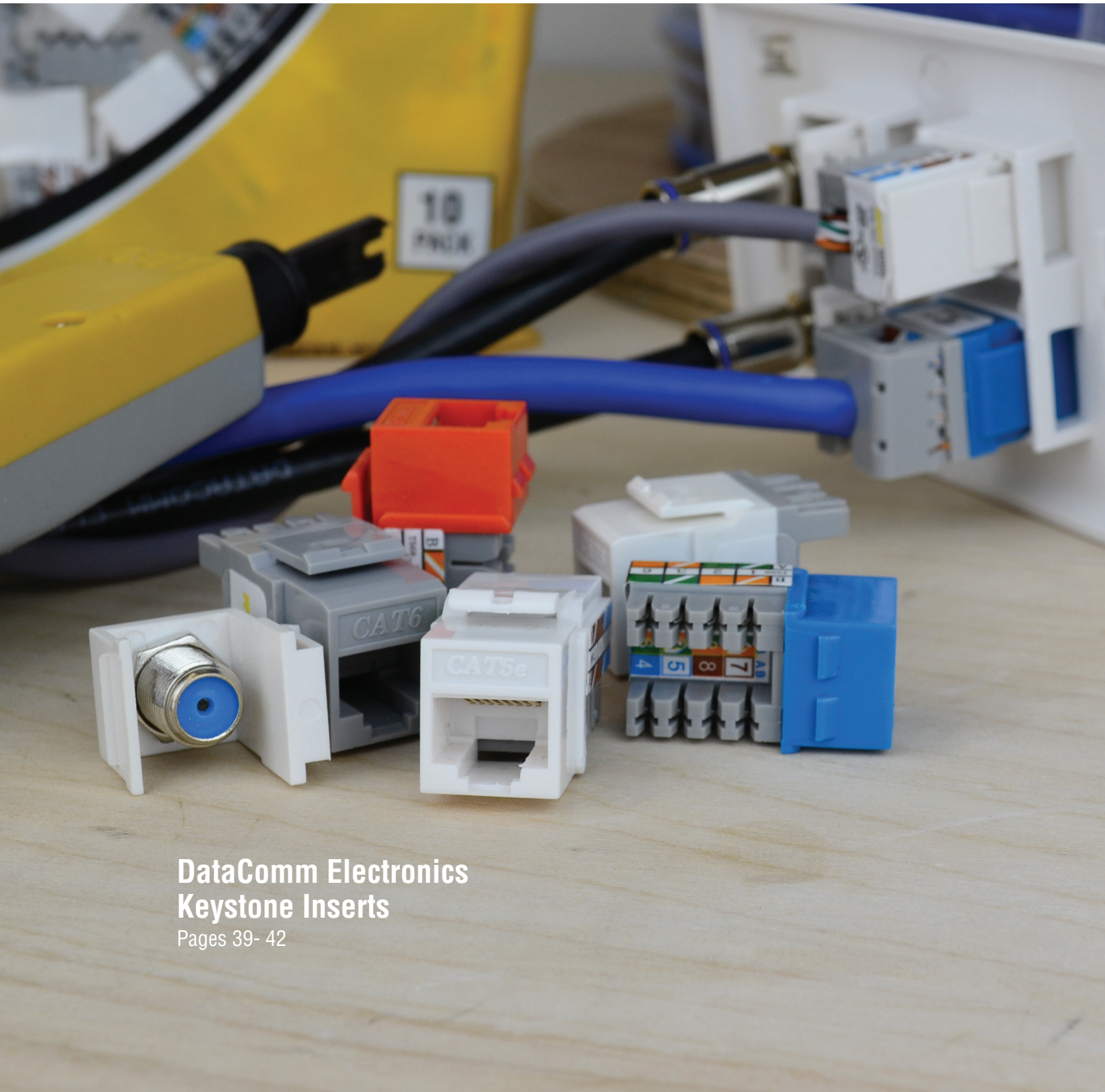
- Can be installed with any manufacturer's keystone wall plates
- Compatible with high speed HDMI cables
- Supports Ethernet channel
- Supports 4K Ultra HD
- Supports 3D resolution

Part Number	Description
20-4504-WH	HDMI Keystone Insert, White



Keystone Inserts

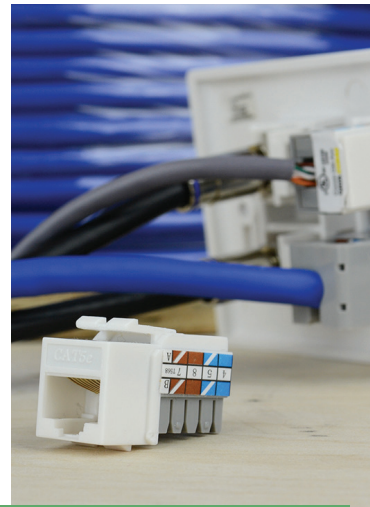
Cat 3 | Cat 5e | Cat 6 | F-Connector | RCA | Binding Post



DataComm Electronics
Keystone Inserts

Pages 39- 42

DataComm Electronics offers several keystone insert products in a variety of colors. These UL listed keystone inserts are designed to work with DataComm Electronics' keystone wallplates and surface mount boxes.



Keystone Inserts

Category 3 Keystone Jacks	39
Category 5e Keystone Jacks	39
Category 6 Keystone Jacks	40
Jack Termination Tool	40
F-Connector Keystone	41
Blank Keystone Inserts	41
Binding Post	41
RCA to 110 Punch Down	41
RCA to RCA	42

DATA COMM
ELECTRONICS™



Category 3 Jacks

Features:

- 6-Position, 6-Conductor, RJ12
- Dual wiring code label allows connector to be wired with standard telephone wire or Category 5e wire
- Designed to work with residential or light commercial installations
- 110-type insulation displacement connectors (IDC)
- High-performance voice grade jack
- UL Listed
- Meets FCC Part 68 requirements
- 25-year product warranty



Part Number	10 Pack Part Number	Color
20-3423-BK	N/A	Black
20-3423-BR	N/A	Brown
20-3423-IV	N/A	Ivory
20-3423-LA	N/A	Lite Almond
20-3423-WH	20-3423-WH-10	White

Available in
10 Pack Bags



Category 5e Jacks



Features:

- Color coded wiring labels for T568A, T568B, and 110 type IDC
- UL Listed
- Meets FCC Part 68
- Exceeds TIA/EIA Category 5e standards for high performance transmission
- Intended for residential and light commercial use
- 25 year product warranty

Part Number	10/25 Pack Part Number	Color
20-3425-AL	N/A	Almond
20-3425-BK	N/A	Black
20-3425-BL	20-3425-BL-10 20-3425-BL-25	Blue
20-3425-BR	N/A	Brown
20-3425-GY	N/A	Gray
20-3425-IV	20-3425-IV-10	Ivory
20-3425-LA	20-3425-LA-10 20-3425-LA-25	Lite Almond
20-3425-OR	20-3425-OR-10 20-2425-OR-25	Orange
20-3425-RD	N/A	Red
20-3425-WH	20-3425-WH-10 20-3425-WH-25	White
20-3425-YW	N/A	Yellow

Available in
10 and 25
Pack Bags



Category 6 Jacks

Features:

- Color coded wiring labels for T568A, T568B, and 110 type IDC
- UL Listed
- Meets FCC Part 68
- Exceeds TIA/EIA Category 6 standards for high performance data transmission
- Intended for residential and light commercial use
- 25 year product warranty



Part Number	10 Pack Part Number	Color
20-3426-AL	N/A	Almond
20-3426-BK	N/A	Black
20-3426-BL	20-3426-BL-10 20-3426-BL-25	Blue
20-3426-BR	N/A	Brown
20-3426-GY	N/A	Gray
20-3426-IV	20-3426-IV-10	Ivory
20-3426-LA	20-3426-LA-10 20-3426-LA-25	Lite Almond
20-3426-OR	20-3426-OR-10 20-3426-OR-25	Orange
20-3426-WH	20-3426-WH-10 20-3426-WH-25	White



Available in
**10 and 25
Pack Bags**

Category 6A Jacks

Part Number	Color
20-3426A-BL-10	Blue
20-3426A-LA-10	Light Almond
20-3426A-WH-10	White

Jack Termination Tool

DataComm Electronics' Jack Termination Tool with Category 3/5e Punch Set allows you to terminate and cut 8 wires in one easy step. The easy-squeeze handle design is ideal for large install jobs making this tool the ideal solution for the professional installer. Cat 6 punch set available separately.

Features:

- Steel frame offers professional style performance
- DataComm Category 3/5e jack punch set is included
- Compatible with DataComm's Category 3 (p/n: 20-3423-XX) and Category 5e (p/n: 20-3425-XX) Jacks
- Punch set is interchangeable with DataComm's Category 6 jack punch set (p/n: 20-0132) for use with DataComm's Category 6 Jacks (p/n: 20-3426-XX)

Part Number	Description
20-0130	Jack Termination Tool w/ Cat 3/5e Punch Set
20-0131	Cat 5e Punch Set
20-0132	Interchangeable Cat 6 Punch Set

New design coming soon

F-Connectors

- Female-to-female connectors
- Screw-on front and rear connectors for easy termination
- Nickel plated connector



Available in
10 & 25
Pack Bags



Part Number	Description	Color
20-3102-AL	1.0 GHz F-Connector	Almond
20-3102-BK	1.0 GHz F-Connector	Black
20-3102-BR	1.0 GHz F-Connector	Brown
20-3102-IV	1.0 GHz F-Connector	Ivory
20-3102-LA	1.0 GHz F-Connector	Lite Almond
20-3102-WH	1.0 GHz F-Connector	White
20-3102-WH-10	1.0 GHz F-Connector, 10 Pack	White
20-3102-WH-25	1.0 GHz F-Connector, 25 Pack	White
20-3202-AL	2.4 GHz F-Connector	Almond
20-3202-BK	2.4 GHz F-Connector	Black
20-3202-BR	2.4 GHz F-Connector	Brown
20-3202-IV	2.4 GHz F-Connector	Ivory
20-3202-LA	2.4 GHz F-Connector	Lite Almond
20-3202-LA-10	2.4 GHz F-Connector, 10 Pack	Lite Almond
20-3202-WH	2.4 GHz F-Connector	White
20-3202-WH-10	2.4 GHz F-Connector, 10 Pack	White
20-3302-LA	3.0 GHz F-Connector	Lite Almond
20-3302-WH	3.0 GHz F-Connector	White

Blank Keystone Inserts

Part Number	Color
20-3101-AL	Almond
20-3101-BR	Brown
20-3101-IV	Ivory
20-3101-LA	Lite Almond
20-3101-WH	White
20-3101-BK	Black



Keystone Binding Post

Part Number	Color
20-3106-WH/BK	White w/ Black Bezel
20-3106-WH/RD	White w/ Red Bezel
20-3106-WH/WH	White w/ White Bezel
20-3106-WH/YW	White w/ Yellow Bezel



Keystone RCA to 110 Punch Down

Part Number	Color
20-3105-WH	White



Keystone RCA to RCA

Part Number	Color
20-3103-LA/BK	Lite Almond w/ Black Bezel
20-3103-LA/BL	Lite Almond w/ Blue Bezel
20-3103-LA/GR	Lite Almond w/ Green Bezel
20-3103-LA/RD	Lite Almond w/ Red Bezel
20-3103-LA/YW	Lite Almond w/ Yellow Bezel
20-3103-WH/BK	White w/ Black Bezel
20-3103-WH/BL	White w/ Blue Bezel
20-3103-WH/GR	White w/ Green Bezel
20-3103-WH/RD	White w/ Red Bezel
20-3103-WH/WH	White w/ White Bezel
20-3103-WH/YW	White w/ Yellow Bezel



Keystone Plates

Standard Size | Mid-Size

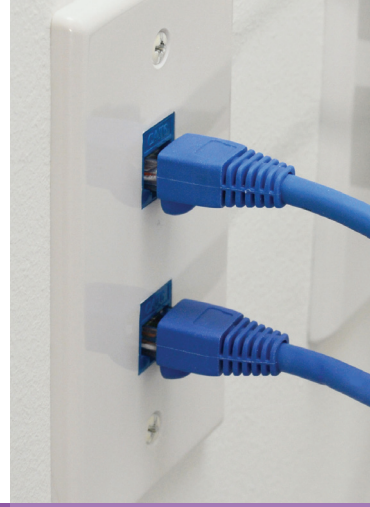


**4-Port, Standard Size
Keystone Plate**

P/N: 20-3004-WH

Page 46

DataComm Electronics' Keystone Plates accept snap-in inserts made by DataComm Electronics and most other major manufacturers. These plates are made of non-breakable ABS plastic and are available in both standard and mid-size with your choice of seven (7) color options.



Keystone Plates

1-Port Keystone Plate, Standard Size	46
2-Port Keystone Plate, Standard Size	46
3-Port Keystone Plate, Standard Size	46
4-Port Keystone Plate, Standard Size	46
6-Port Keystone Plate, Standard Size	47
1-Port Keystone Plate, Mid-Size	47
2-Port Keystone Plate, Mid-Size	47
3-Port Keystone Plate, Mid-Size	47
4-Port Keystone Plate, Mid-Size	48
6-Port Keystone Plate, Mid Size	48
Keystone Décor Plate Inserts	48

DATA COMM
 ELECTRONICS™



Keystone Plates

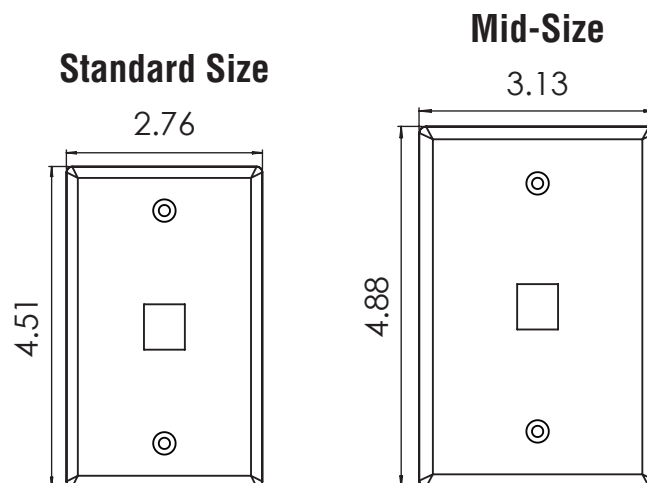
DATA COMM™
ELECTRONICS



Features and Specs

- Standard and Mid-Size available
- 1, 2, 3, 4, and 6-port available
- Designed to accept all DataComm Electronics keystone products
- Non-breakable ABS plastic
- Smooth finish to match electrical devices
- Available in seven (7) colors: Almond (AL), Black (BK), Brown (BR), Gray (GY), Ivory (IV), Lite Almond (LA), and White (WH)
- UL Listed

Drawings & Dimensions



Keystone Plates - 1-Port, Standard Size

Part Number	Color
20-3001-AL	Almond
20-3001-BK	Black
20-3001-BR	Brown
20-3001-GY	Gray
20-3001-IV	Ivory
20-3001-LA	Lite Almond
20-3001-WH	White



Keystone Plates - 2-Port, Standard Size

Part Number	Color
20-3002-AL	Almond
20-3002-BK	Black
20-3002-BR	Brown
20-3002-GY	Gray
20-3002-IV	Ivory
20-3002-LA	Lite Almond
20-3002-WH	White



Keystone Plates - 3-Port, Standard Size

Part Number	Color
20-3003-AL	Almond
20-3003-BK	Black
20-3003-BR	Brown
20-3003-GY	Gray
20-3003-IV	Ivory
20-3003-LA	Lite Almond
20-3003-WH	White



Keystone Plates - 4-Port, Standard Size

Part Number	Color
20-3004-AL	Almond
20-3004-BK	Black
20-3004-BR	Brown
20-3004-GY	Gray
20-3004-IV	Ivory
20-3004-LA	Lite Almond
20-3004-WH	White



Keystone Plates: 6-Port, Standard Size
 1-Port, Mid-Size
 2-Port, Mid-Size
 3-Port, Mid-Size



DATA COMMTM
 ELECTRONICS

Keystone Plates - 6-Port, Standard Size

Part Number	Color
20-3006-AL	Almond
20-3006-BK	Black
20-3006-BR	Brown
20-3006-GY	Gray
20-3006-IV	Ivory
20-3006-LA	Lite Almond
20-3006-WH	White



Keystone Plates - 1-Port, Mid-Size

Part Number	Color
20-3011-AL	Almond
20-3011-BK	Black
20-3011-BR	Brown
20-3011-GY	Gray
20-3011-IV	Ivory
20-3011-LA	Lite Almond
20-3011-WH	White



Keystone Plates - 2-Port, Mid-Size

Part Number	Color
20-3012-AL	Almond
20-3012-BK	Black
20-3012-BR	Brown
20-3012-GY	Gray
20-3012-IV	Ivory
20-3012-LA	Lite Almond
20-3012-WH	White



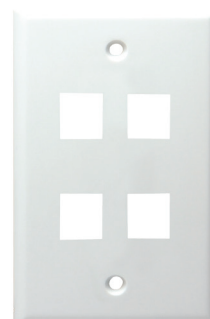
Keystone Plates - 3-Port, Mid-Size

Part Number	Color
20-3013-AL	Almond
20-3013-BK	Black
20-3013-BR	Brown
20-3013-GY	Gray
20-3013-IV	Ivory
20-3013-LA	Lite Almond
20-3013-WH	White



Keystone Plates - 4-Port, Mid-Size

Part Number	Color
20-3014-AL	Almond
20-3014-BK	Black
20-3014-BR	Brown
20-3014-GY	Gray
20-3014-IV	Ivory
20-3014-LA	Lite Almond
20-3014-WH	White



Keystone Plates - 6-Port, Mid-Size

Part Number	Color
20-3016-AL	Almond
20-3016-BK	Black
20-3016-BR	Brown
20-3016-GY	Gray
20-3016-IV	Ivory
20-3016-LA	Lite Almond
20-3016-WH	White



Keystone Décor Inserts

Décor plate keystone inserts. Available in 1, 2, 3, and 4-Port in your choice of three colors.

Part Number	Description/Color
20-5142	Décor Plate Insert for 1 Keystone, White
20-5143	Décor Plate Insert for 1 Keystone, Ivory
20-5145	Décor Plate Insert for 1 Keystone, Lite Almond
20-5152	Décor Plate Insert for 2 Keystones, White
20-5153	Décor Plate Insert for 2 Keystones, Ivory
20-5155	Décor Plate Insert for 2 Keystones, Lite Almond
20-5162	Décor Plate Insert for 3 Keystones, White
20-5163	Décor Plate Insert for 3 Keystones, Ivory
20-5165	Décor Plate Insert for 3 Keystones, Lite Almond
20-5172	Décor Plate Insert for 4 Keystones, White
20-5173	Décor Plate Insert for 4 Keystones, Ivory
20-5175	Décor Plate Insert for 4 Keystones, Lite Almond



DataComm Electronics' easy to use plates feature patented color-matched connections that take the guesswork out of wire termination. In fact, our Color-Rite series is so innovative, it received U.S. patent number 6923675.



Telephone Accessories

Color-Rite Phone Plates	51
Color-Rite Quick Mount Plate	52
Color-Rite Surface Block	52
Color-Rite Combination Phone/Coax Plate	52
Blank Wall Plate	53
Wall Plate w/ One Hole	53
Coax Wall Plates	53-55
2.4 GHz Coax Wall Plate	54
Color-Rite Décor Wall Plate Inserts	55
Décor Coax Wall Plate Insert	55
Décor Wall Plates	55
Décor Keystone Inserts	56
Surface Mounts	56

DATA COMM
 ELECTRONICSTM



Color-Rite™ Series

DataComm Electronics' Color-Rite™ phone termination is so innovative it has received a U.S. Patent. These products install correctly on the first try. They take the guesswork out of terminating connections, so even trainees can produce good results with minimal instruction.

Features:

- Four conductor screw terminal wiring that color-matches the blue, blue/white, and orange, orange/white wiring for Cat 3 and Cat 5e cabling
- Four conductor terminal screws that color-match the red, green, black, and yellow wiring of station wire (ideal for retrofit work)
- Install with a low voltage mounting bracket
- Reduced training time for new installers
- Eliminates incorrect wiring to the terminal and costly project callbacks



Color-Rite™ Standard Size Phone Plates

Part Number	UL Part Number	Description/Color
20-1511	22-0011	Standard Size, Ivory
20-1512	22-0012	Standard Size, White
20-1515	22-0015	Standard Size, Lite Almond

*Standard Size Plate Dimensions - 2.75" x 4.50"



Color-Rite™ Mid-Size Phone Plates

Part Number	UL Part Number	Description/Color
20-1521	22-0021	Mid-Size, Ivory
20-1522	22-0022	Mid-Size, White
20-1523	20-0023	Mid-Size, Brown
20-1525	22-0025	Mid-Size, Lite Almond

*Mid-Size Plate Dimensions - 3.13" x 4.88"



Color-Rite™ Dual Phone Plates

Smooth wall plate, 4 conductor for 2 lines or 1 phone and 1 data/fax

Part Number	UL Part Number	Description
20-1531	22-0031	Standard Size, Ivory
20-1532	22-0032	Standard Size, White
20-1535	22-0035	Standard Size, Lite Almond
20-1541	22-0041	Mid-Size, Ivory
20-1542	22-0042	Mid-Size, White
20-1545	22-0045	Mid-Size, Lite Almond



Color-Rite™ Quick Mount Plate

Quick connect wall plate for use with wall type phones. Easy-to-use screw terminals



Part Number	UL Part Number	Color
20-1604	22-0104	Stainless Steel
20-1611	22-0111	Ivory
20-1612	22-0112	White
20-1615	22-0115	Lite Almond

Color-Rite™ Surface Block - 4-Conductor

Surface mounting block for baseboards or walls. Screw terminals for easy connection

Part Number	UL Part Number	Color
20-2011	22-0211	Ivory
20-2012	22-0212	White
20-2015	22-0215	Lite Almond



Color-Rite™ Combination Phone/Coax Plate

A single gang wall plate designed to accept modular 4 conductor phone connection and coax cable



Part Number	UL Part Number	Color/Description
40-1511	40-0011	Ivory, Standard Size
40-1512	40-0012	White, Standard Size
40-1515	40-0015	Lite Almond, Standard Size
40-1721	40-0021	Ivory, Mid-Size
40-1722	40-0022	White, Mid-Size
40-1725	40-0025	Lite Almond, Mid-Size

Blank Wall Plate

Smooth wall plate for covering outlet box not in use.

Part Number	Description/Color	UL Part Number
21-0021	Blank Mid-Size Plate, Ivory	22-0701
21-0022	Blank Mid-Size Plate, White	22-0702
21-0025	Blank Mid-Size Plate, Lite Almond	
21-0026	Blank Standard Plate, White, UL	
21-0027	Blank Standard Plate, Lite Almond, UL	
21-0028	Blank Standard Plate, Ivory, UL	



Wall Plate w/ One Hole



Smooth wall plate that allows for the insertion of a connector or for a cable to be pulled through.

Part Number	UL Part Number	Color
31-0002	32-0702	White

Coax Wall Plate - Standard Size

Single F to F type connection in a single gang wall plate.

Part Number	UL Part Number	Description/Color
30-2011	32-0011	Ivory Plate
30-2012	32-0012	White Plate
30-2013	32-0013	Brown Plate
30-2015	32-0015	Lite Almond Plate



Coax Wall Plate - Mid-Size

Single F to F type connection in a single gang wall plate.



Part Number	UL Part Number	Description/Color
30-2021	32-0021	Ivory Plate
30-2022	32-0022	White Plate
30-2023	32-0023	Brown Plate
30-2025	32-0025	Lite Almond Plate

Dual Coax Wall Plate

Single F to F type connection in a single gang wall plate.

Part Number	UL Part Number	Description/Color
30-2131	32-0031	Ivory Plate
30-2132	32-0032	White Plate
30-2135	32-0035	Lite Almond Plate



2.4 GHz Coax Wall Plates

Single F to F type connection in a single gang wall plate.



Part Number	Description
32-2024-BR	2.4 GHz Coax Wall Plate, Brown
32-2024-IV	2.4 GHz Coax Wall Plate, Ivory
32-2024-LA	2.4 GHz Coax Wall Plate, Lite Almond
32-2024-WH	2.4 GHz Coax Wall Plate, White

Color-Rite™ Décor Combo Phone/Coax Insert

Décor wall plate is designed to handle two phone lines from one location. Fits NEMA single gang box.

Part Number	Description/Color
40-1712	4 Conductor, White
40-1715	4 Conductor, Lite Almond



Décor Coax Wall Plate Inserts



Part Number	Description/Color
30-2312	Coax Wall Plate Décor, White
30-2315	Coax Wall Plate Décor, Lite Almond

Décor Wall Plates

Available in 1, 2, and 3-Gang.

Part Number	Description/Color
20-5111	Décor Wall Plate, 1-Gang, Ivory
20-5112	Décor Wall Plate, 1-Gang, White
20-5115	Décor Wall Plate, 1-Gang, Lite Almond
20-5121	Décor Wall Plate, 2-Gang, Ivory
20-5122	Décor Wall Plate, 2-Gang, White
20-5125	Décor Wall Plate, 2-Gang, Lite Almond
20-5132	Décor Wall Plate, 3-Gang, White
20-5135	Décor Wall Plate, 3-Gang, Lite Almond



Surface Mounts

1-port and 2-port surface mounting box for category 5e and category 6 jacks.



Part Number	Description/Color
20-5311	1-Port Surface for Keystone Modules, Ivory
20-5312	1-Port Surface for Keystone Modules, White
20-5313	1-Port Surface for Keystone Modules, Lite Almond
20-5321	2-Port Surface for Keystone Modules, Ivory
20-5322	2-Port Surface for Keystone Modules, White
20-5323	2-Port Surface for Keystone Modules, Lite Almond

Coaxial Connectors

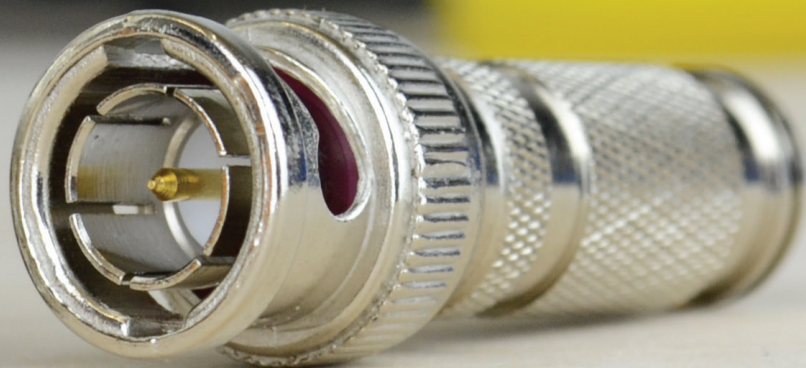
F-Type | BNC | Phone/Data | Insulation Displacement | Splitters



BNC Compression Connector

P/N: 41-0090

Page 59





DataComm Electronics offers a line of compression fittings ranging from coaxial and BNC connectors to phone/data plugs and insulation displacement connectors.

Coaxial Connectors

F-Type	59
BNC Connectors	59-61
RCA Connectors	61
Insulation Displacement Connectors	61
Phone & Data Plugs	62
Splitters	62

Coaxial Connectors

Coaxial Connectors
BNC Connectors

DATA COMM[™]
ELECTRONICS

F-Type

A. F-Connector Compression

Part Number	Description
30-2600	RG-59, Red, 25 Pack
30-2606	RG-6 / RG-6 Quad, Black, 25 Pack



A. F-Connector Compression



B. Crimpless Male Twist-On Connector

B. Crimpless Male Twist-On Connector

Part Number	Description
30-1101	RG-59
30-1200	RG-6
30-1201	RG-6 Quad

C. Crimp On Male with Attached 1/2" Crimp Ring

Part Number	Description
30-1205	RG-6
30-1300	RG-6 Quad



C. Crimp on Male w/ Attached 1/2" Crimp Ring



D. F-Connector Right Angle Adaptor

D. F-Connector Right Angle Adaptor

Part Number	Description
30-2500	Right Angle



E. Female to Female F-Connector Splice

E. F-Connector Splice

Part Number	Description
30-1400	1.0 GHz

BNC Connectors



A. BNC Male Twist-On



B. BNC Male Crimp

A. BNC Compression Connector

Part Number	Description
41-0090	RG59U
41-0096	RG6U & Quad

B. BNC Male Crimp

Part Number	Description
41-0020	RG59U
41-0025	RG6U

BNC Connectors (Cont'd)

A. BNC Male Twist-On

Part Number	Description
41-0030	RG59U
41-0035	RG6U



A. BNC Male Twist-On



B. BNC Male Quick Connect

B. BNC Male Quick Crimp

Part Number	Description
41-0040	RG59U
41-0045	RG6U
41-0046	RG59U & RG6U Teflon

C. BNC Female Twist-On

Part Number	Description
41-0049	RG59U & RG6U



C. BNC Female Twist-On



D. BNC T-Adapter

D. BNC T-Adapter

Part Number	Description
41-0052	1 Male to 2 Female

E. BNC Double Female Adapter

Part Number	Description
41-0055	Double Female



E. BNC Double Female Adapter



G. BNC Male to RCA Male

G. BNC Male to RCA Male

Part Number	Description
41-0060	BNC to RCA

H. BNC Male to RCA Female

Part Number	Description
41-0065	Male to Female



H. BNC Male to RCA Female



I. BNC Male to F Female

I. BNC Male to F Female

Part Number	Description
41-0070	Male to Female

BNC Connectors (Cont'd)

A. BNC Female to F Male

Part Number	Description
41-0075	Female to Male



A. BNC Female to F Male



B. BNC Female to RCA Male

B. BNC Female to RCA Male

Part Number	Description
41-0080	Female to Male

RCA Connectors



A. RCA Compression Connector



B. RCA Female to F Female

A. RCA Compression Connector

Part Number	Description
42-0020	RG59U
42-0026	RG6U Quad

B. RCA Female to F Female

Part Number	Description
42-0015	Female to Female



C. RCA Male to F Female

C. RCA Male to F Female

Part Number	Description
42-0016	Male to Female

Insulation Displacement Connectors

A. UY IDC Connector

Part Number	Description
20-5722	2-Wire (26-22 AWG), 20 pk



A. UY IDC Connector

B. UR IDC Connector

Part Number	Description
20-5723	3-Wire (26-19 AWG), 20 pk

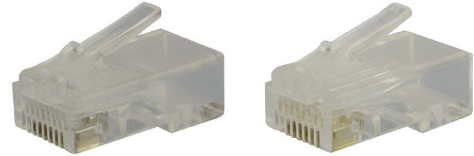


B. UR IDC Connector

Phone & Data Plugs

A. RJ45

Part Number	Description
20-5703	RJ45, Cat 5e, 8 Conductor UTP, 100 pk
20-5706	RJ45, Cat 6, 8 Conductor UTP, 25 pk

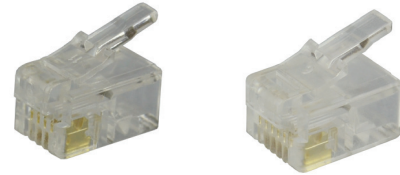


A. RJ45, Cat 5e

A. RJ45, Cat 6

B. RJ11

Part Number	Description
20-5701	RJ11, 4 Conductor UTP, 100 pk



BRJ11

C. RJ12

C. RJ12

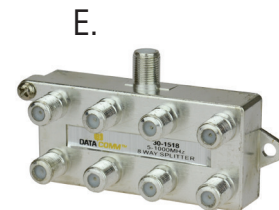
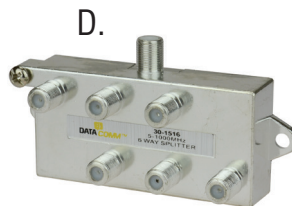
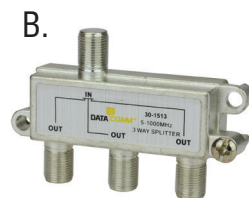
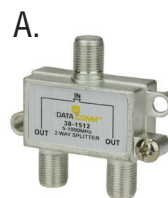
Part Number	Description
20-5702	RJ12, 6 Conductor UTP, 100 pk

1.0 GHz Splitters

The 30-15XX series of splitters represent a new generation of passive products designed for higher frequency operation in international cable distribution systems. Printed circuits and special ferrite core material guarantee minimal insertion loss and optimal isolation and return loss up to 1 GHz. The series provides:

- > -130 dB EMI performance by soldering the back cover to the case
- > -100 dB EMI performance by employing a tongue and groove mating of case and back cover

Photo	Part Number	Description
A.	30-1512	2-Way
B.	30-1513	3-Way
C.	30-1514	4-Way
D.	30-1516	6-Way
E.	30-1518	8-Way

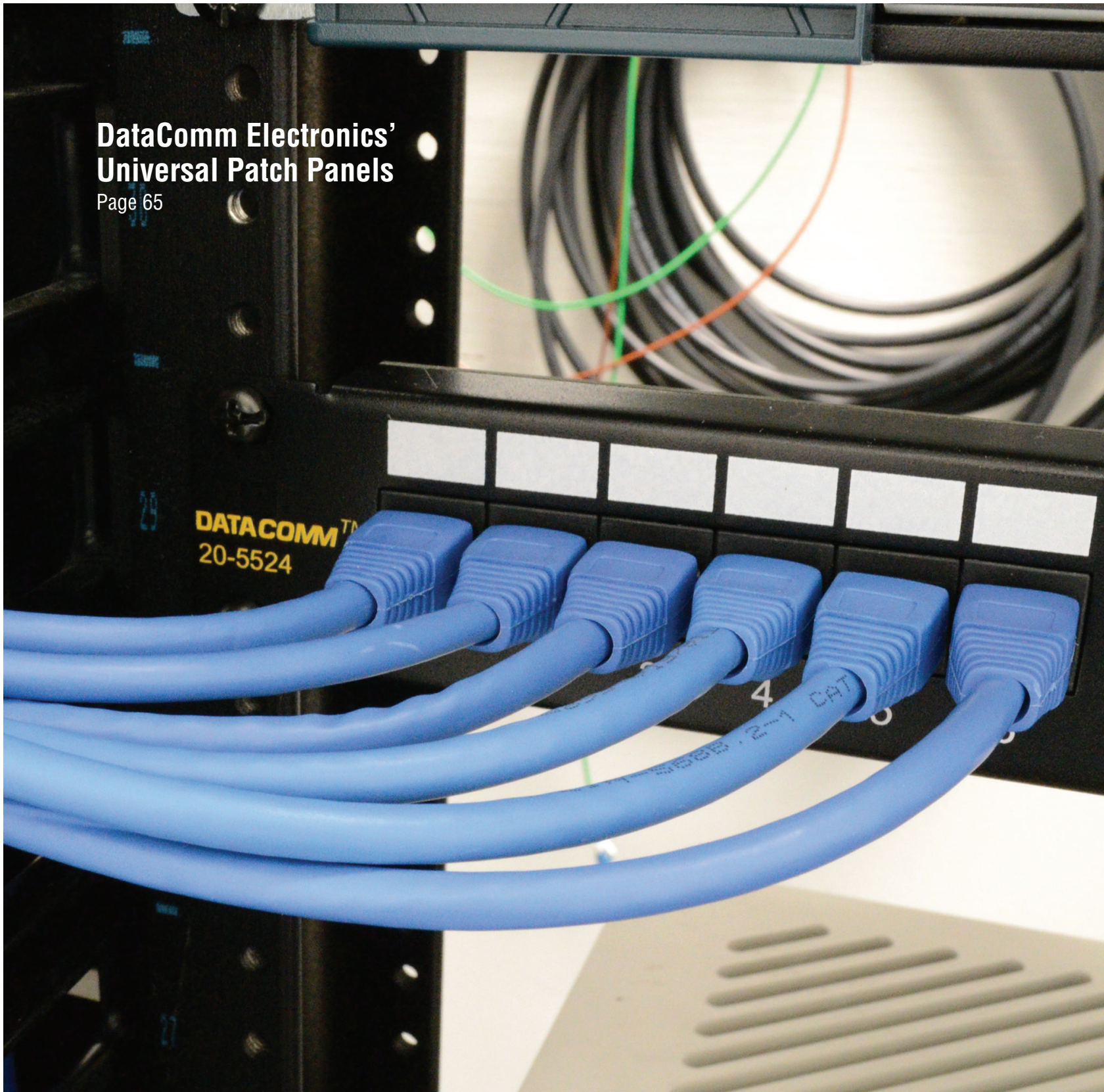


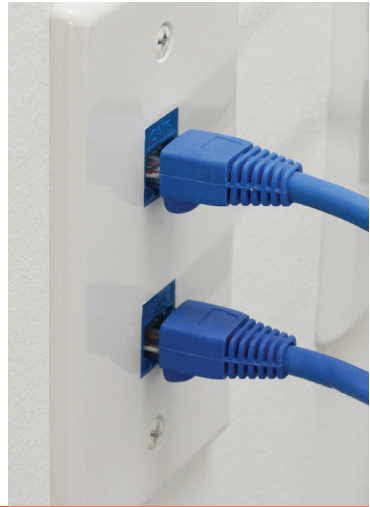
Patch Panels & Accessories

Patch Panels | Brackets | Wire Management | Patch Cords

**DataComm Electronics'
Universal Patch Panels**

Page 65





DataComm Electronics' Category 5e and Category 6 Patch Panels are designed and color coded for T568A and T568B wiring configurations and are designed to fit industry standard 19" racks and cabinets. These products also come with a 25-year product warranty and a 25-year Channel System warranty when terminated with Honeywell Genesis Cable.

Patch Panels & Accessories

Category 5e 12-Port Mini Patch Panel w/ 89D Mounting Bracket	65
Category 5e Universal 12-Port Patch Panel	65
Category 5e Universal 24-Port Patch Panel	65
Category 5e Universal 48-Port Patch Panel	65
Category 6 12-Port Mini Patch Panel w/ 89D Mounting Bracket	65
Category 6 Universal 12-Port Patch Panel	65
Category 6 Universal 24-Port Patch Panel	65
Category 6 Universal 48-Port Patch Panel	65
19" Rack Cable Management Wire Holder	66
1U Hinged Wall Mount Bracket	66
2U Hinged Wall Mount Bracket	66
Category 5e Patch Cords	68
Category 6 Patch Cords	68

DATA COMM
ELECTRONICS™



Patch Panels



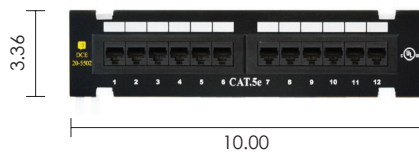
DATA COMM™
ELECTRONICS

Category 5e & Category 6 Patch Panels

Features:

- Designed and color coded for TIA568A and TIA568B wiring configurations
- Meets all UL standards and requirements for category 5e & category 6 patch panels
- Intertek ETL Semko verified and tested to category 5e and category 6 industry standards & certifications
- 3P-Third Party Testing verified and tested to category 5e and category 6 industry standards & certifications
- Meets or exceeds all published TIA/EIA-568B guidelines for category 5e and category 6 requirements; meets FCC part 68
- Designed to fit all standard 19" racks and cabinets
- Patch panels come pre-configured with easy to read 110-style punch downs on the rear side and six-port RJ-45 front modules
- 16 gauge steel, black powder coated panel with UL 940-0 rated jack housing
- Connector spring wire contacts are 50 micro inches gold over nickel
- RoHS compliant
- 25-year product warranty
- 25-year Channel System Warranty when terminated with Honeywell Genesis Cable

Mini Patch Panels



Part Number

Description

20-5502

Category 5e, 12-Port w/ 89D Mounting Bracket

20-5602

Category 6, 12-Port w/ 89D Mounting Bracket

Universal Patch Panels

Part Number

Description

20-5512

Category 5e, 12-Port

20-5612

Category 6, 12-Port

Part Number

Description

20-5524

Category 5e, 24-Port

20-5624

Category 6, 24-Port

Part Number

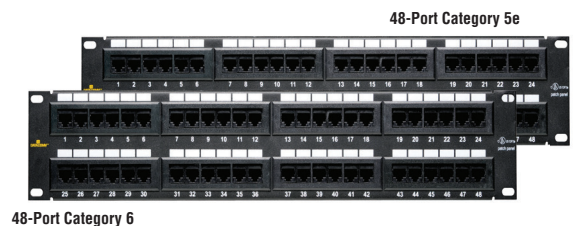
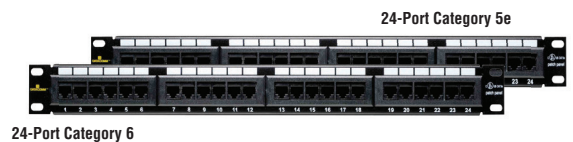
Description

20-5548

Category 5e, 48-Port

20-5648

Category 6, 48-Port



Patch Panel Accessories

19" Rack Cable Management Wire Holder

- For use with any 19" rack mount patch panel

Part Number

20-5550



1U Hinged Wall Mount Bracket

- Universal left or right hinge mounting
- For use with any 19" rack mount patch panel
- 6" deep mounting bracket

Part Number

20-5551



2U Hinged Wall Mount Bracket

- Universal left or right hinge mounting
- For use with any 19" rack mount patch panel
- 6" deep mounting bracket

Part Number

20-5552



24-Port Blank Patch Panel

- For use with any 19" rack mount patch panel

Part Number

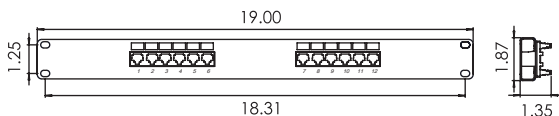
20-0024



Drawings & Dimensions

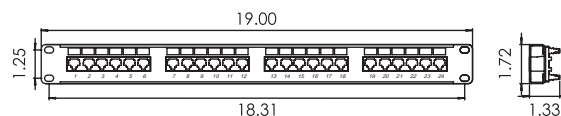
20-5512: Category 5e 12-Port Patch Panel

20-5612: Category 6 12-Port Patch Panel



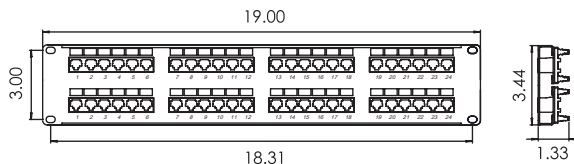
20-5524: Category 5e 24-Port Patch Panel

20-5624: Category 6 24-Port Patch Panel



20-5548: Category 5e 48-Port Patch Panel

20-5648: Category 6 48-Port Patch Panel



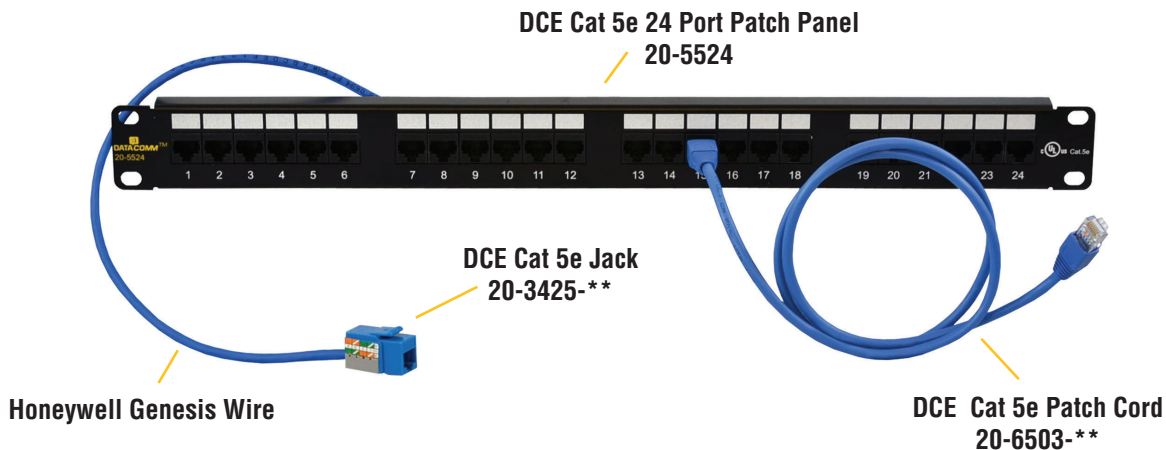
Features and Specs

Patch Cords

- Exceeds TIA/EIA Category 5e standards for high performance transmission
- Exceeds TIA/EIA Category 6 standards for high performance transmission
- Stranded conductor for longer flex life
- Improved strain relief
- Available in 5 lengths: 1 ft., 3 ft., 7 ft., 10 ft., 15 ft., and 25 ft.
- Available in 2 colors: Blue (BL) and White (WH)
- Materials: 24 AWG, UTP stranded conductor, 8-conductor plus, 94V-0 rated
- Category 5e complies with all TSB-95 requirements
- Category 6 complies with all TIA/EIA-568B.2-1 requirements
- Meets FCC Part 68
- UL Listed
- ETL Verified for performance
- 20 year product warranty

25-Year Channel System Warranty

When using DataComm Electronics' Patch Panels, Patch Cords, Category 5e Jacks, and Category 6 Jacks with Honeywell Genesis Category 5e Cable (part number 5078, 5088, and 5090) and Honeywell Genesis Category 6 Cable (part number 5092 and 5102).



Category 5e Patch Cords

Part Number	Length / Color
20-6501-BL	1 ft., Blue
20-6501-WH	1 ft., White
20-6503-BL	3 ft., Blue
20-6503-WH	3 ft., White
20-6507-BL	7 ft., Blue
20-6507-WH	7 ft., White
20-6510-BL	10 ft., Blue
20-6510-WH	10 ft., White
20-6515-BL	15 ft., Blue
20-6515-WH	15 ft., White
20-6525-BL	25 ft., Blue
20-6525-WH	25 ft., White



Category 6 Patch Cords

Part Number	Length / Color
20-6601-BL	1 ft., Blue
20-6601-WH	1 ft., White
20-6603-BL	3 ft., Blue
20-6603-WH	3 ft., White
20-6607-BL	7 ft., Blue
20-6607-WH	7 ft., White
20-6610-BL	10 ft., Blue
20-6610-WH	10 ft., White
20-6615-BL	15 ft., Blue
20-6615-WH	15 ft., White
20-6625-BL	25 ft., Blue
20-6625-WH	25 ft., White



Standard Warranty Period

DataComm Electronics warrants, to the original purchaser, that any product manufactured or sold by DataComm Electronics will be free of any defects in materials and workmanship for a period of two (2) years from the original date of purchase, under normal conditions of use.

Warranty voided on items that have been damaged due to accident, altered in any way, tampered with, or have been used in any manner for which the product was not originally intended.

Should any product, in DataComm Electronics' opinion, prove defective within this two (2) year period, the product will be repaired or replaced without charge.

Products to be repaired or replaced under this warranty must be returned to DataComm Electronics with prior notification, original sales receipt and an assigned return material authorization number (RMA).

DataComm Electronics, Inc.

6349 Peachtree Street

Norcross, Georgia 30071

888.223.7977

770.242.3395 fax

www.datacommelectronics.com

Industry Terms & Definitions

- ANSI -** The American National Standards Institute is a private, non-profit organization that administers and coordinates the U.S. voluntary standardization and conformity assessment system.
- DPL -** Digital Performance Level Labs provides independent, honest, true performance-based guidance to assist those who are in the market to acquire high-bandwidth, high-definition digital products.
- EIA -** The Electronic Industries Association is a trade organization for U.S. manufacturers and a partnership of electronic and high-tech associations and companies. EIA promotes the U.S. high-tech industry through domestic and international policy efforts.
- ETL -** ETL SEMKO is a division of Intertek Group plc (LSE:ITRK) specializing in electrical product safety testing and benchmark performance testing. It is an industry leader in testing and accreditations with more than 30 offices and laboratories on six continents.
- Part 68 -** A Federal Communications Commission (FCC) rule developed to assure consumers, manufacturers, and carriers that terminal equipment and wiring could be connected without degrading the network.
- TIA -** The Telecommunications Industry Association represents providers of communications and information technology products and services for the global marketplace through its core competencies in standards development and domestic and international advocacy.
- UL -** Underwriters Laboratories Inc. is an independent, non-profit, product-safety testing and certification organization.

Part Number	Page	Part Number	Page	Part Number	Page	Part Number	Page
20-0130	40	20-3004-GY	46	20-3101-AL	41	20-3423-WH-10	39
20-0132	40	20-3004-IV	46	20-3101-BK	41	20-3425-AL	39
20-1511	51	20-3004-LA	46	20-3101-BR	41	20-3425-BK	39
20-1512	51	20-3004-WH	46	20-3101-IV	41	20-3425-BL	39
20-1515	51	20-3006-AL	47	20-3101-LA	41	20-3425-BL-10	39
20-1521	51	20-3006-BK	47	20-3101-WH	41	20-3425-BR	39
20-1522	51	20-3006-BR	47	20-3102-AL	41	20-3425-GY	39
20-1523	51	20-3006-GY	47	20-3102-BK	41	20-3425-IV	39
20-1525	51	20-3006-IV	47	20-3102-BR	41	20-3425-IV-10	39
20-1531	52	20-3006-LA	47	20-3102-IV	41	20-3425-LA	39
20-1532	52	20-3006-WH	47	20-3102-LA	41	20-3425-LA-10	39
20-1535	52	20-3011-AL	47	20-3102-WH	41	20-3425-OR	39
20-1541	52	20-3011-BK	47	20-3102-WH-10	41	20-3425-OR-10	39
20-1542	52	20-3011-BR	47	20-3102-WH-25	41	20-3425-RD	39
20-1545	52	20-3011-GY	47	20-3103-LA/BK	42	20-3425-WH	39
20-1604	52	20-3011-IV	47	20-3103-LA/BL	42	20-3425-WH-10	39
20-1611	52	20-3011-LA	47	20-3103-LA/GR	42	20-3425-YW	39
20-1612	52	20-3011-WH	47	20-3103-LA/RD	42	20-3426-AL	40
20-1615	52	20-3012-AL	47	20-3103-LA/WH	42	20-3426-BK	40
20-2011	52	20-3012-BK	47	20-3103-LA/YW	42	20-3426-BL	40
20-2012	52	20-3012-BR	47	20-3103-WH/BK	42	20-3426-BL-10	40
20-2015	52	20-3012-GY	47	20-3103-WH/BL	42	20-3426A-BL-10	40
20-3001-AL	46	20-3012-IV	47	20-3103-WH/GR	42	20-3426A-LA-10	40
20-3001-BK	46	20-3012-LA	47	20-3103-WH/RD	42	20-3426A-WH-10	40
20-3001-BR	46	20-3012-WH	47	20-3103-WH/WH	42	20-3426-BR	40
20-3001-GY	46	20-3013-AL	47	20-3103-WH/YW	42	20-3426-GY	40
20-3001-IV	46	20-3013-BK	48	20-3105-WH	41	20-3426-IV	40
20-3001-LA	46	20-3013-BR	48	20-3106-WH/BK	41	20-3426-IV-10	40
20-3001-WH	46	20-3013-GY	48	20-3106-WH/RD	41	20-3426-LA	40
20-3002-AL	46	20-3013-IV	48	20-3106-WH/WH	41	20-3426-OR	40
20-3002-BK	46	20-3013-LA	48	20-3106-WH/YW	41	20-3426-OR-10	36
20-3002-BR	46	20-3013-WH	48	20-3202-AL	41	20-3426-WH	36
20-3002-GY	46	20-3014-AL	48	20-3202-BK	41	20-3426-WH-10	36
20-3002-IV	46	20-3014-BK	48	20-3202-BR	41	20-4501-WH	36
20-3002-LA	46	20-3014-BR	48	20-3202-IV	41	20-4502-WH	36
20-3002-WH	46	20-3014-GY	48	20-3202-LA	41	20-4503-WH	55
20-3003-AL	46	20-3014-IV	48	20-3202-LA-10	41	20-4504-WH	55
20-3003-BK	46	20-3014-LA	48	20-3202-WH	41	20-4505-WH	55
20-3003-BR	46	20-3014-WH	48	20-3202-WH-10	41	20-5111	55
20-3003-GY	46	20-3016-AL	48	20-3302-LA	41	20-5112	55
20-3003-IV	46	20-3016-BK	48	20-3302-WH	41	20-5115	55
20-3003-LA	46	20-3016-BR	48	20-3423-BK	39	20-5121	55
20-3003-WH	46	20-3016-GY	48	20-3423-BR	39	20-5122	55
20-3004-AL	46	20-3016-IV	48	20-3423-IV	39	20-5125	56
20-3004-BK	46	20-3016-LA	48	20-3423-LA	39	20-5132	56
20-3004-BR	46	20-3016-WH	48	20-3423-WH	39	20-5135	56

Part Number	Page	Part Number	Page	Part Number	Page	Part Number	Page
20-5142	56	20-6601-BL	68	30-2013	53	41-0030	60
20-5145	58	20-6601-WH	68	30-2015	53	41-0035	60
20-5152	56	20-6603-BL	68	30-2021	58	41-0040	60
20-5153	56	20-6603-WH	68	30-2022	58	41-0045	60
20-5155	56	20-6607-BL	68	30-2023	58	41-0046	60
20-5162	56	45-0014-WH	68	30-2025	54	41-0049	60
20-5163	56	20-6615-WH	68	30-2131	54	41-0052	60
20-5165	56	20-6625-BL	68	30-2132	54	41-0055	60
20-5172	56	20-6625-WH	68	30-2135	54	41-0060	60
20-5173	56	21-0022	53	30-2312	55	41-0065	60
20-5175	56	21-0025	53	30-2315	55	41-0070	60
20-5311	56	21-0026	53	30-2500	59	41-0075	61
20-5312	56	21-0027	53	30-2600	59	41-0080	61
20-5313	65	21-0028	53	30-2606	59	41-0090	59
20-5321	65	22-0011	51	31-0002	53	41-0096	59
20-5322	65	22-0012	51	32-0011	53	42-0015	61
20-5323	65	22-0015	51	32-0012	53	42-0016	61
20-5502	66	22-0021	51	32-0013	53	42-0020	61
20-5512	66	22-0022	51	32-0015	53	42-0026	61
20-5524	66	22-0023	51	32-0021	54	45-0001-BK	11
20-5548	66	22-0025	51	32-0022	54	45-0001-BR	11
20-5550	65	22-0031	52	32-0023	54	45-0001-IV	11
20-5551	65	22-0032	52	32-0025	54	45-0001-LA	11
20-5552	65	22-0035	52	32-0031	54	45-0001-WH	11
20-0024	62	22-0041	52	32-0032	54	45-0002-BK	11
20-5602	62	22-0042	52	32-0035	54	45-0002-BR	11
20-5612	62	22-0045	52	32-0702	53	45-0002-IV	11
20-5624	62	22-0104	52	32-2024-BR	54	45-0002-LA	11
20-5648	61	22-0111	52	32-2024-IV	54	45-0002-WH	11
20-5701	61	22-0112	52	32-2024-LA	54	45-0003-BK	11
20-5702	68	22-0115	52	32-2024-WH	54	45-0003-LA	11
20-5703	68	22-0211	52	40-0011	52	45-0003-WH	11
20-5706	68	22-0212	52	40-0012	52	45-0004-BK	13
20-5722	68	22-0215	52	40-0015	52	45-0004-BR	13
20-5723	68	30-1101	59	40-0021	52	45-0004-IV	13
20-6501-BL	68	30-1200	59	40-0022	52	45-0004-LA	13
20-6501-WH	68	30-1201	59	40-0025	52	45-0004-WH	13
20-6503-BL	68	30-1205	59	40-1511	52	45-0006-BK	12
20-6503-WH	68	30-1300	59	40-1512	52	45-0006-WH	12
20-6507-BL	68	30-1400	59	40-1515	52	45-0007-WH	11
20-6507-WH	68	30-1512	62	40-1712	52	45-0008-BK	11
20-6510-BL	68	30-1513	62	40-1715	52	45-0008-IV	11
20-6510-WH	68	30-1514	62	40-1721	52	45-0008-LA	11
20-6515-BL	68	30-1516	62	40-1722	52	45-0008-WH	11
20-6515-WH	68	30-1518	62	40-1725	52	45-0009-LA	11
20-6525-BL	68	30-2011	53	41-0020	59	45-0009-WH	11
20-6525-WH	68	30-2012	53	41-0025	59	45-0010-BK	14

Part Number	Page	Part Number	Page
45-0010-WH	14	46-1009-BK	35
45-0011-WH	11	46-1012-BK	35
45-0014-BK	12	46-1015-BK	35
45-0014-IV	12	46-1020-BK	35
45-0014-LA	12	46-1035-BK	35
45-0014-WH	12	46-1050-BK	35
45-0015-BK	12	46-1800-BK	35
45-0015-IV	12	46-1803-BK	35
45-0015-LA	12	46-1806-BK	35
45-0015-WH	12	46-1809-BK	35
45-0016-BK	13	46-1812-BK	35
45-0016-IV	13	46-1815-BK	35
45-0016-LA	13	46-1820-BK	35
45-0016-WH	13	46-1830-BK	35
45-0017-BK	12	48-0204-WH	20
45-0017-IV	12	60-0011-N	14
45-0017-LA	12	60-0021-S	14
45-0017-WH	12	60-0022-S	14
45-0018-WH	13	70-0036	31
45-0021-WH	14	70-0038	31
45-0023-WH	15	70-0050	32
45-0024-WH	15	70-0078	32
45-0028-WH	15	70-0080	32
45-0031-WH	16	80-0030	31
45-0032-WH	16	80-0040	31
45-0041-WH	16	80-0050	31
45-0041-SB	16	80-0070	31
45-0051-WH	17	80-1500-BR	30
45-0052-WH	17	80-1530-HC	28
45-0053-WH	18	80-1500-5-STACK	29
45-0054-WH	18	80-1500-SC-5	28
45-0061-WH	17	80-1530-HC	28
45-0063-WH	18	80-1530-5-STACK	28
45-0060	20	80-1530-HC-5	28
45-0070	20	CT-75-2P	30
45-0071-WH	19	CT-5-BB	30
45-0072-WH	19	CT-5-SC	30
45-0081-WH	19	CT-5-TC-BR	30
45-0101	22	CT-5-END	30
45-0102	22	CT-10-CC	30
45-8011-1P	29		
45-8017-1	29		
45-8021-1S	29		
45-8031-1C	29		
46-1000-BK	35		
46-1003-BK	35		
46-1006-BK	35		