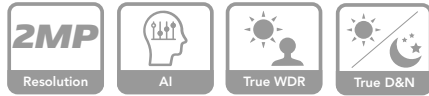


AVC-PT91X25LW

2MP 25X INFINITESTAR IR PTZ HD-TVI CAMERA



2MP INFINITESTAR IR PTZ HD-TVI CAMERA

2MP 25x IR PTZ HD-TVI CAMERA

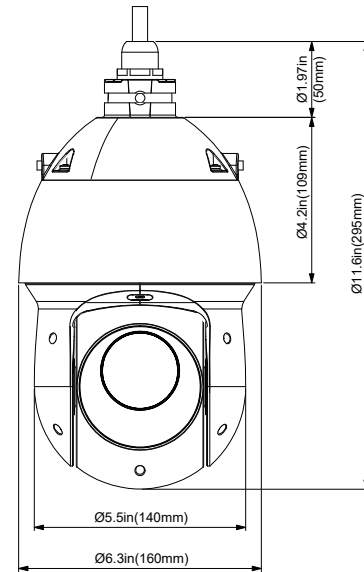
Featuring with powerful optical zoom and accurate pan/tilt/zoom performance, the AVC-PT91X25LW series PTZ camera can provide large monitoring range and great detail. The camera delivers 1080P resolution at 25/30 fps, with 25x optical zoom, and has very excellent low light performance due to adopting the latest InfiniteStar technology. AVC-PT91X25LW series PTZ is equipped with smooth control, high quality image and good protection, which make it can meet small and medium size of video surveillance applications.

FUNCTIONS

- 1/2.8" 2MP STARVIS™ CMOS
- Up to 1920 x 1080@30fps Resolution
- Min. illumination: Color: 0.005 Lux@(F1.6, IR ON)
- Powerful 25× Optical Zoom
- 120dB True WDR, 3D DNR
- Up to 328ft(100m) smart IR distance
- IP66 Ingress Protection rating
- Support H.265+/H.265 Video Compression
- Suitable for Harsh Conditions for Outdoor Application
- Working Environment and Interoperability

DIMENSIONS

Unit : inch (mm)



OPTIONAL ACCESSORIES



AVM-JB-PT-T25
JUNCTION BOX



AVM-PT-CMT-T25
CEILING MOUNT



AVM-PT-PMT-T25
POLE MOUNT

AVC-PT91X25LW
2MP 25X INFINITESTAR IR PTZ HD-TVI CAMERA

SPECIFICATIONS

CAMERA	
Image Sensor	1 / 2.8" STARVIS™ CMOS
Min. Illumination	Color: 0.005Lux@F1.6; 0Lux@F1.6 (IR on)
White Balance	Auto/Manual/ATW (Auto-tracking WB)/Indoor/Outdoor/Fluorescent Lamp/Sodium Lamp
S/N ratio	More than 55dB
Gain Control	Auto/Manual
Shutter Speed	60Hz: 1/1 s ~ 1/30,000s
Day&Night	Auto(ICR) / Color / B/W
Privacy Mask	Up to 24 Areas
Focus Mode	Auto/Manual
WDR	True WDR
IR Distance	Distance up to 328ft (100m)
LENS	
Focal Length	0.2"-4.7"(4.8 -120mm) 25x Optical Zoom, 16x Digital Zoom
Zoom Speed	Approx. 3.5s (Optical Lens, Wide-TELE)
Field of View	H: 59.2° ~ 2.4°
Working Distance	3.93"~39.4"(100mm~ 1000mm)
Aperture Range	F1.6 (Wide) to F4.4 (TELE)
PTZ	
Pan Range	Pan: 0° ~ 360° endless; Tilt: -15° ~ 90°, auto flip 180°
Manual Control Speed	Pan: 0.1° ~200° /s; Tilt: 0.1° ~120° /s
Preset Speed	Pan: 240° /s; Tilt: 200° /s
Preset	300
PTZ Mode	5 Pattern, 8 Tour, Auto Pan ,Auto Scan
Speed Setup	Human-oriented focal Length/ speed adaptation
Power up Action	Auto restore to previous PTZ and lens status after power failure
Idle Motion	Activate Preset/ Scan/ Tour/ Pattern if there is no command in the specified period
Protocol	DH-SD, Pelco-P/D (Auto recognition)
COMPRESSION STANDARD	
Video Compression	H.265 / H.264 / MJPEG
H.264 Type	Baseline Profile/Main Profile/High Profile
H.265 Type	Main Profile
Video Bit Rate	128Kbps ~ 6Mbps
SVC	Support
SMART FEATURES	
Basic Event	Motion Detection, Video Tampering Detection, Exception
Smart Event	Object Removal Detection, Intrusion Detection, Line Crossing Detection, People Intrusion and People Counting
Smart Record	ANR (Automatic Network Replenishment)
VIDEO	
Max. Resolution	1080P(1920×1080)/720P(1280×720)
Main Stream	25/30fps@1080P, 25/30/50/60fps@720P
Video Output	1-channel BNC high definition video output/ CVBS standard definition video output (switchable)
OSD Menu	Support
Backlight Compensation	BLC / HLC / WDR (120dB)
White Balance	Auto, ATW, Indoor, Outdoor, Manual
INTERFACE	
Network Interface	1 RJ45 10M/100M Ethernet, PoE (802.3at, class4)
GENERAL	
Power	DC 12V/3A
Working Environment	-40°C ~ 70°C (-40°F ~ +158°F) / Less than 90% RH
Protection Level	IP 66 Standard
Material	Metal
Dimensions	Φ6.3" × 11.6"(Φ 160mm × 295mm)
Weight	Approx. 6.61lb(3kg)
DORI	
Distance(Tele)	Detect: 5259ft (1613m), Observe: 2119ft (646m), Recognize: 1060ft (323m), Identify: 528ft (161m)



Copyright © AVYCON. All rights reserved. Specifications and pricing are subject to change without notice.

phone: 949-752-7606
 email: info@avycon.com
 social: @avycon_aivo
 website: avycon.com