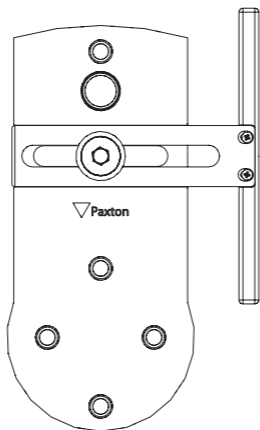


 Paxton



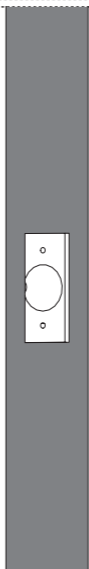
ins-30225



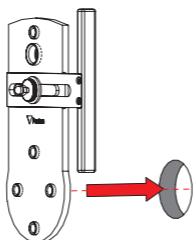


1

$\text{Ø}2\text{-}\frac{3}{4}\text{''}$

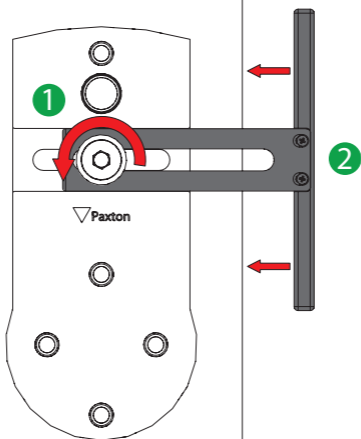


2

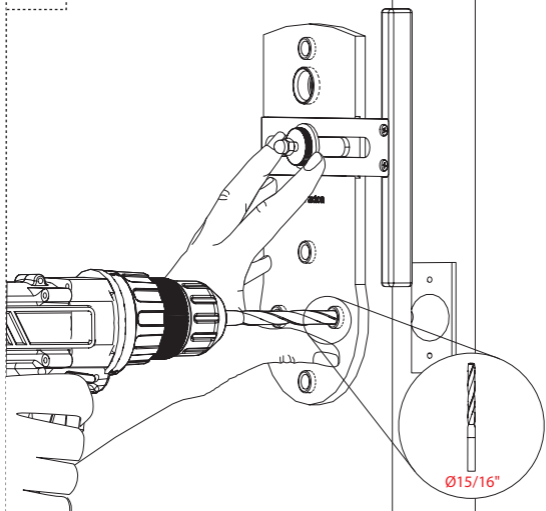


Ensure jig sits
flush to door face

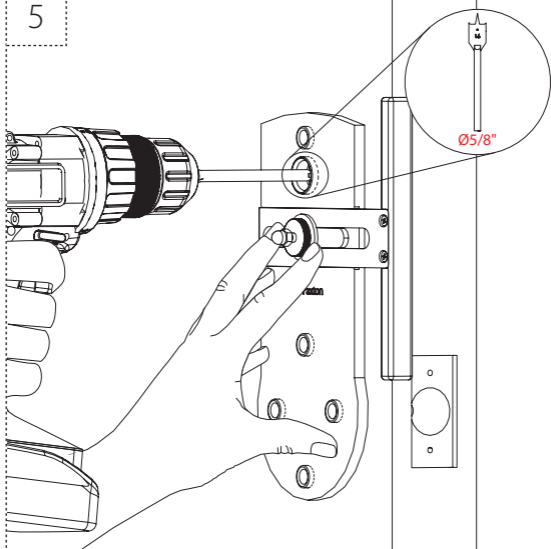
3



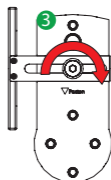
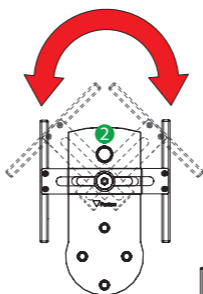
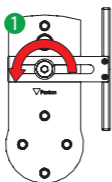
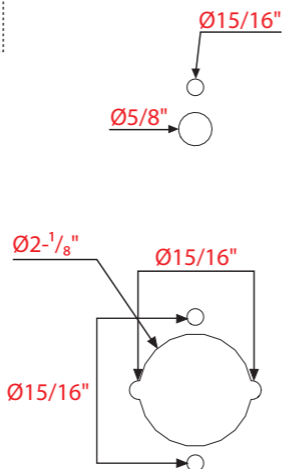
4



5



6



Check the hole alignment using the jig on both sides of the door



+44 (0)1273 811011
 support@paxton.co.uk
 paxton.support



877.438.7298
 supportUS@paxton-access.com
 usapaxton.support



+31 (0)76 3333 999
 support@paxton-benelux.com
 paxton.benelux.support



+32 (0) 78485147
 support@paxton-benelux.com
 paxton.benelux.support



+49 (0) 251 2080 6900
 verkauf@paxton-gmbh.de
 paxton.gmbh.support



+33 (0)1 57 32 93 56
 support@paxtonaccess.fr
 paxton.support



+27 (0) 21 4276691
 support@paxtonaccess.co.za
 paxton.support



8000 3570 3783
 support@paxtonaccess.ae
 paxton.support



+52 55 5351 3667
 soporte@paxton-access.com
 paxton.soporte



+57 1508 8198
 soporte@paxton-access.com
 paxton.soporte



+44 (0)1273 811011
 support@paxton.co.uk
 paxton.support



<http://paxton.info/1606>

 Made in the UK

