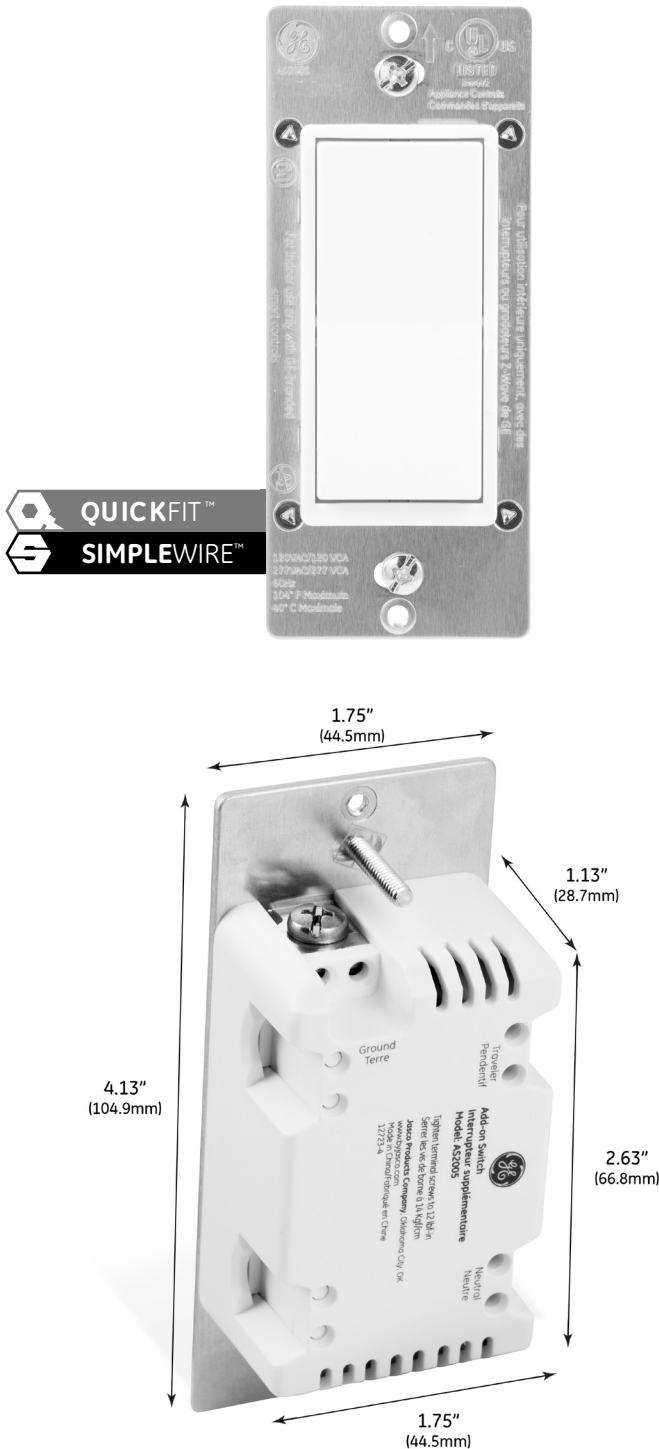


# GE In-wall Add-On Switch



## Specifications

**Power:** 120/277VAC, 60Hz

**Operating Temperature:** 32-104° F (0-40° C)

**Switch must be mounted indoors**

## Design Features

· 46199 for use in 3, 4, 5, or 6-way wiring configurations with:

GE 300 Series Z-Wave models: 12722, 12724, 12725 and 12730

GE Zigbee HA1.2 models: 45856GE and 45857GE

GE 500 Series Z-Wave models: 14291, 14294, 14287, 14289, 14299, 26931, 26933, 46201 and 46203

GE Zigbee 3.0 models: 43076 and 43080

Z-Wave Commercial Grade 120/277VAC models: 43072 and 43073

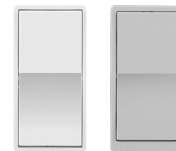
Zigbee 3.0 Commercial Grade 120/277VAC models: 43077 and 43081

· Requires wiring connections Neutral, Traveler and Ground

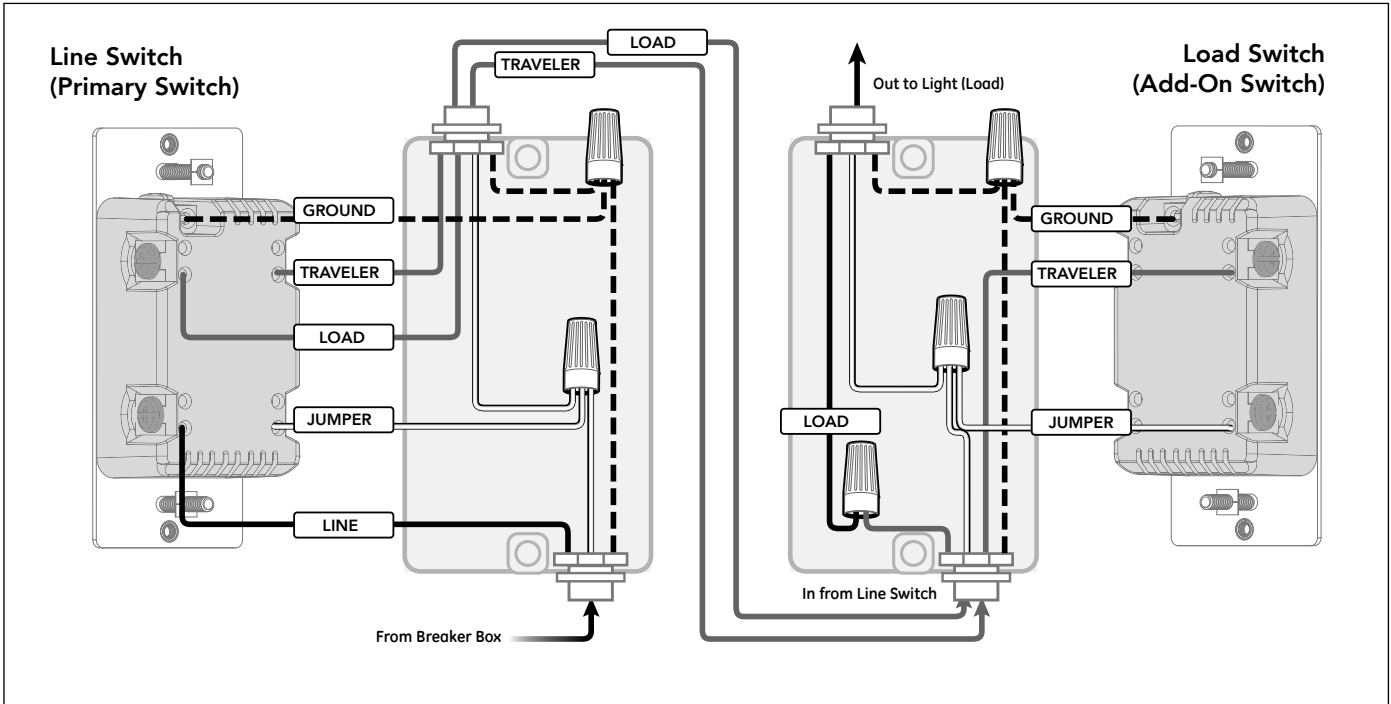
· QuickFit™ – Improved components reduce the housing depth by up to 20 percent compared to previous models and eliminated the need for heat tabs. QuickFit enhancements are the ideal solution for older-style switch boxes, multi-gang configurations or any other application with limited space

- SimpleWire™ – Dual ground ports, which are offset to avoid switch box mounting screws, support daisy-chaining in multi-switch setups
- Uses a standard decora wall plate (wall plate not included)
- Maximum number of Add-On Switches connected to primary switch: 4
- Maximum traveler wire distance: 300ft., interconnected between 4 Add-On switches
- No more than 75ft between each switch
- Maximum traveler wire distance between primary and (1) Add-On switch: 200ft
- Not for direct control of load (Not a standalone switch)
- Requires GE Smart Control for operation

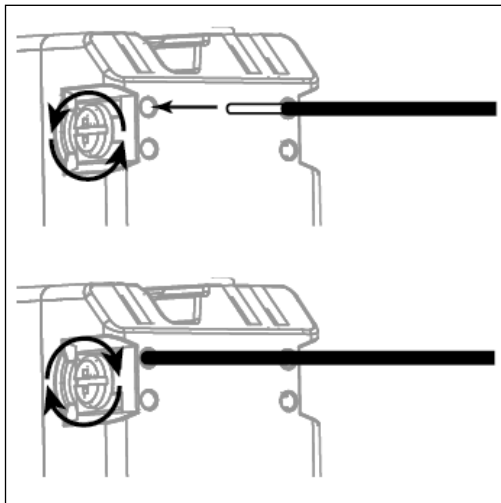
**White/light almond paddles included**



Multi-Location Wiring



Space-Saving Screw Terminals



Installation Recommendations:

- Insert wire into port and tighten screw. Do not wrap wire around screw
- Indoor use only
- Wallplates sold separately
- Trilingual Instruction manual – (English, French, Spanish)

Certifications & Compliances



Compliances, specifications and availability are subject to change without notice

Distributed by Jasco Products Company LLC  
10 E. Memorial Rd., Oklahoma City, OK

©Jasco 2019

Related Products - GE Z-Wave In-Wall Smart Controls

Additional Paddle Colors



- |   |   |  |  |   |
|---|---|--|--|---|
| <b>46201</b><br>In-Wall<br>Smart Switch | <b>46203</b><br>In-Wall<br>Smart Dimmer | <b>26931</b><br>In-Wall Smart<br>Motion Switch | <b>26933</b><br>In-Wall Smart<br>Motion Dimmer | <b>14288</b><br>In-Wall<br>Smart Outlet |
|---|---|--|--|---|

- |                              |                              |                              |
|------------------------------|------------------------------|------------------------------|
| <b>13941</b><br>Black Paddle | <b>13944</b><br>Brown Paddle | <b>13946</b><br>Ivory Paddle |
|------------------------------|------------------------------|------------------------------|