

HB30PHD2

TDN 1080P IR/PIR Bullet Camera






OPERATIONAL	
VIDEO STANDARD	NTSC/PAL
SCANNING SYSTEM	Progressive scan
IMAGE SENSOR	1/2.7" 2 MP CMOS
EFFECTIVE PIXELS (H × V)	1920x1080
MINIMUM ILLUMINATION	0.02 lux color @ F2.0, 30 IRE, 0 lux (IR LEDs on)
S/N RATIO	>65 dB
ELECTRONIC SHUTTER SPEED	NTSC: 1/3 – 1/100,000 s PAL: 1/4 – 1/100,000 s
RESOLUTION	1080p (1920 × 1080) TVL of Resolution: PAL 960(H) 1105(V) NTSC 847(H) 1194(V)
FRAME RATE	NTSC: 30 fps @ 1080p, 30/60fps @ 720p PAL: 25 fps @ 1080p, 25/50fps @ 720p
VIDEO OUTPUT	1-channel BNC high definition video output
IR DISTANCE	Up to 82 ft. (25m), depending on scene reflectance
NUMBER OF IR LEDES	1 IR LED
SMART IR	Auto/Manual
DAY/NIGHT	Auto (ICR)/Manual
BACKLIGHT COMPENSATION	BLC/HLC/DWDR
WHITE BALANCE LENS	Auto/Manual
GAIN CONTROL	AGC
WIDE DYNAMIC RANGE	DWDR
NOISE REDUCTION	2D
PRIVACY MASKING	Up to 8 configurable areas
LENS	2.8 mm, F2.0
HORIZONTAL ANGLE OF VIEW	112°
AUDIO	N/A

ELECTRICAL	
POWER SUPPLY	12 VDC ±30%
POWER CONSUMPTION	4.1 W max. (12 VDC, IR LEDs on)
MECHANICAL	
DIMENSIONS	146.6 mm × 72.4 mm × 83 mm
PRODUCT WEIGHT	0.51 lb. (0.23 kg)
PACKAGE WEIGHT	0.66 lb. (0.30 kg)
CONSTRUCTION	Plastic
CONSTRUCTION COLOR	RAL 9003 (White)
ENVIRONMENTAL	
OPERATING TEMPERATURE	-10°C to 50°C
COLD START	Startup should be done at above -10°C
STORAGE TEMPERATURE	-10°C to 50°C
RELATIVE HUMIDITY	Less than 95%, non-condensing
INGRESS PROTECTION	IP66
REGULATORY	
EMISSIONS	FCC, Part 15B, EN55032:2012 +AC:2013
IMMUNITY	EN50130-4:2011
SAFETY	EU: EN60950-1
ROHS	EN50581:2012
PIR	
DETECTION	Passive infrared
DETECTION RANGE	10m, 110°
ALARM PROMPT	Red LED
INSTALLATION HEIGHT	Default bracket, wall mount, 2.2-2.5m

TDN 1080P IR/PIR Bullet Camera

RECOMMENDED ACCESSORIES

SYSTEM COMPATIBILITY		HOUSING AND MOUNTS	
HRHT404* HQA DVRS	4 MP, 4-channel, 4 MP@15 fps, 1080p@30/25 fps, 1 SATA, Hybrid HQA DVRS	HQA-PM2**	 Pole Mount Adapter
HRHT408* HQA DVRS	4 MP, 8-channel, 4 MP@15 fps, 1080p@30/25 fps, 2 SATA, Hybrid HQA DVRS	HBS2-BB	 HBS2-BB junction box
HRHT416* HQA DVRS	4 MP, 16-channel, 4 MP@15 fps, 1080p@30/25 fps, 2 SATA, Hybrid HQA DVRS	HEJB	 HEJB junction box

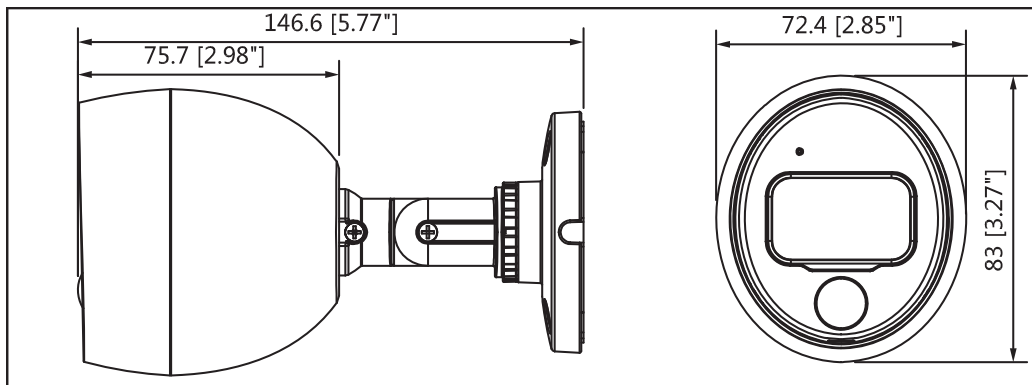
* Pre-installed storage (TB).

** The HBS2-BB or HEJB junction box must be used when installing the camera to HQA-PM2 or HB34S2-CM

ORDERING

HB30PHD2 TDN 1080P/720P IR/PIR Bullet Camera, 1/2.8" 2 MP CMOS, 2.8 mm Lens, 1 IR LED, 12 VDC, IP66

DIMENSIONS



For more information

www.honeywell.com/security/uk

Honeywell Security

Aston Fields Road
 Whitehouse Industrial Estate
 Runcorn
 Cheshire WA7 3DL
 Tel: 08448 000 235
www.honeywell.com

Honeywell reserves the right, without notification, to make changes in product design or specifications.

HSV-HB30PHD2-01-EN(0518)DS-Z
 © 2018 Honeywell International Inc.

Honeywell