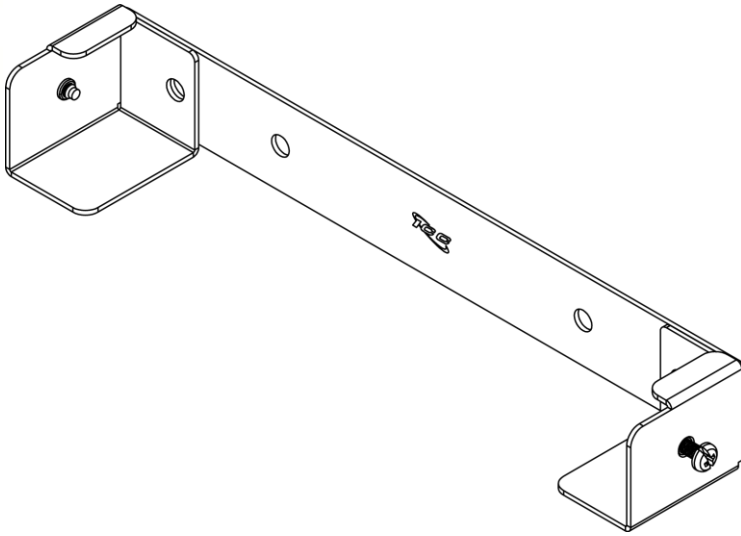


# Ladder Rack Wall Support Kit 2 Pack

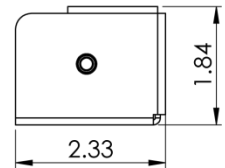
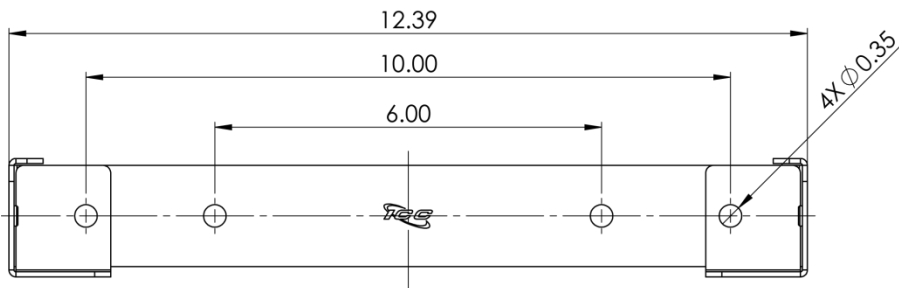
## Package Includes

- A. Wall Support, **2 Piece**
- B. #12-24 x 5/8 Pan Head, Pilot Point Machine Screw, **4 Pieces**
- C. Installation Instructions, **1 Sheet**



## Features and Benefits

- Works with Ladder Rack Cable Runways
- Secure runways at a 90-degree angle to the wall
- Made with cold rolled steel for strength
- One piece design, no extra parts required
- Mount flush against the wall for stability
- Two bracket per carton



**Specifications**

- Material: 14GA CRS
- Surface Finish: Black Powder Coat
- Size: 1.84" height x 12.39" width x 2.33 depth