

DS-2TD2166T-15/25 Thermometric Network Bullet Camera



Hikvision DS-2TD2166T-15/25 Thermometric Network Bullet Camera is applied to manufacture process supervision of pyrophoric materials in factories, electric substation, and hydropower station. The accurate temperature measurement system sends you alarms to protect you from property loss.

Smart Function (Thermal Imaging)

- Leading image processing technology: Adaptive AGC, DDE, 3D DNR, NETD < 40mk (@25°C, F#=1.0)
- Powerful behavior analysis algorithm: Line crossing, Intrusion, Region Entrance & Exit
- Reliable temperature exception alarm function
- Advanced fire detection algorithm

Thermal Imaging Module Function

- 640*512 resolution, high sensitivity sensor, support contrast adjustment
- Support shutter adjustment in various modes
- 3D DNR, 15 palettes of color adjustable, image detail enhancement
- 15mm, 25mm, and 35mm lens are optional



Specifications

| Parameter | | Model | DS-2TD2166T-15 | DS-2TD2166T-25 |
|----------------|---------------------------|--|-----------------|----------------|
| | | Thermometric Network Bullet Camera | | |
| Thermal module | Image sensor | Vanadium Oxide Uncooled Focal Plane Arrays | | |
| | Max. Resolution | 640 × 512 | | |
| | Detector Pitch | 17μm | | |
| | Response waveband | 8μm to 14μm | | |
| | NETD | < 40mk (@25°C,F#=1.0) | | |
| | Lens (focal length) | 15 mm | 25 mm | |
| | MRAD | 1.13mrad | 0.68mrad | |
| | Field of View | 39.87° × 32.36° | 24.55° × 19.75° | |
| | Min. Focusing Distance | 2.5 m | 13 m | |
| | F number | 1.0 | | |
| Smart function | VCA | Support 4 VCA rule types (Line Crossing, Intrusion, Region Entrance, and Region Exiting), 8 VCA rules. | | |
| | Temperature Measurement | Support 3 temperature measurement rule types, 21 rules (10 points, 10 regions, and 1 line) | | |
| | Temperature range | -20 °C to 550 °C (-4 °F to 1,022 °F) | | |
| | Temperature accuracy | Max (±2 °C, ±2%) | | |
| | Fire detection | Support 10 fire points | | |
| Network | Main Stream | 50fps(640×512, 384×288, 352×288) | | |
| | Sub Stream | 50fps(640×512, 384×288, 352×288) | | |
| | Third Stream | 50fps(640×512, 384×288, 352×288) | | |
| | Video Compression | H.264 (Baseline/Main/High Profile) /MJPEG/H.265, H.264+, H.265+ | | |
| | Audio Compression | G.711u/G.711a/G.722.1/MP2L2/G.726/PCM | | |
| | Protocols | IPv4/IPv6,HTTP,HTTPS,802.1x,Qos,FTP,SMTP,UPnP,SNMP,DNS,DDNS,NTP,RTSP,RTCP,RTP,TCP,UDP,IGMP,ICMP,DHCP, PPPoE, Bonjour | | |
| | Simultaneous live view | Up to 20-ch | | |
| | User/Host level | Up to 32 users, 3 levels: Administrator, Operator, User | | |
| | Security measures | User authentication (ID and PW), MAC address binding, HTTPS encryption, IEEE 802.1x access control, IP address filtering | | |
| Integration | Alarm Input | 2-ch Input (0-5V DC) | | |
| | Alarm Output | 2-ch, Relay Output, Support Alarm Linkage | | |
| | Alarm Action | Preset/Patrol Scan/Pattern Scan/SD Card Record/Relay Output/Smart capture/FTP upload/Email linkage | | |
| | Audio Input | 1-ch 3.5mm Mic in/Line in interface. Line input: 2-2.4 V[p-p], output impedance:1KΩ±10% | | |
| | Audio Output | Linear Level; Impedance: 600 Ω | | |
| | Communication Interface | Built-in RJ45; 10M/100M Ethernet Interface | | |
| | Onboard Storage | Built-in Micro SD/SDHC/SDXC Card Slot, Up to 64GB; Support Manual/Alarm Recording | | |
| | Ethernet | 1 RJ45 10M/100M Self-adaptive Ethernet interface | | |
| | Analog Video Output | 1.0V [p-p]/75Ω, PAL/NTSC/BNC | | |
| | API | Open-ended API, support ISAPI; Support HIKVISION SDK and Third-party Management Platform | | |
| | Client | iVMS-4200 | | |
| | Web Browser | IE 7+, Chrome 18+, Firefox 5.0+, Safari 5.02+; Multiple Languages | | |
| General | Menu | English | | |
| | Power | POE+ (802.3at), 24VAC, 12VDC/3A, 8W (22W with De-icing Heater On) | | |
| | Work Temperature/Humidity | From -40 °C to 65 °C (-40 °F to 149 °F); Humidity: 90% or Less | | |
| | Protection Level | IP66 Standard; TVS 6000V Lightning Protection, Surge Protection and Voltage Transient Protection | | |
| | Dimensions | 314mm × 104mm × 292.7mm (12.36" × 4.09" × 11.52") | | |
| | Weight | 2kg (4.41lb) | | |

Wide Range Coverage for Different Specifications

Note: The table below is only for reference, the performance varies from model to model, and the specific data is based on 17 μm Detector pitch.

| | | |
|---------------------------------|-------|-------|
| Lens (focal length) | 15mm | 25mm |
| Detection range (Vehicles) | 1353m | 2255m |
| Detection range (Humans) | 441m | 735m |
| Recognition range (Vehicles) | 338m | 564m |
| Recognition range (Humans) | 110m | 184m |
| Identification range (Vehicles) | 169m | 282m |
| Identification range (Humans) | 55m | 92m |

Smart functions Range Table

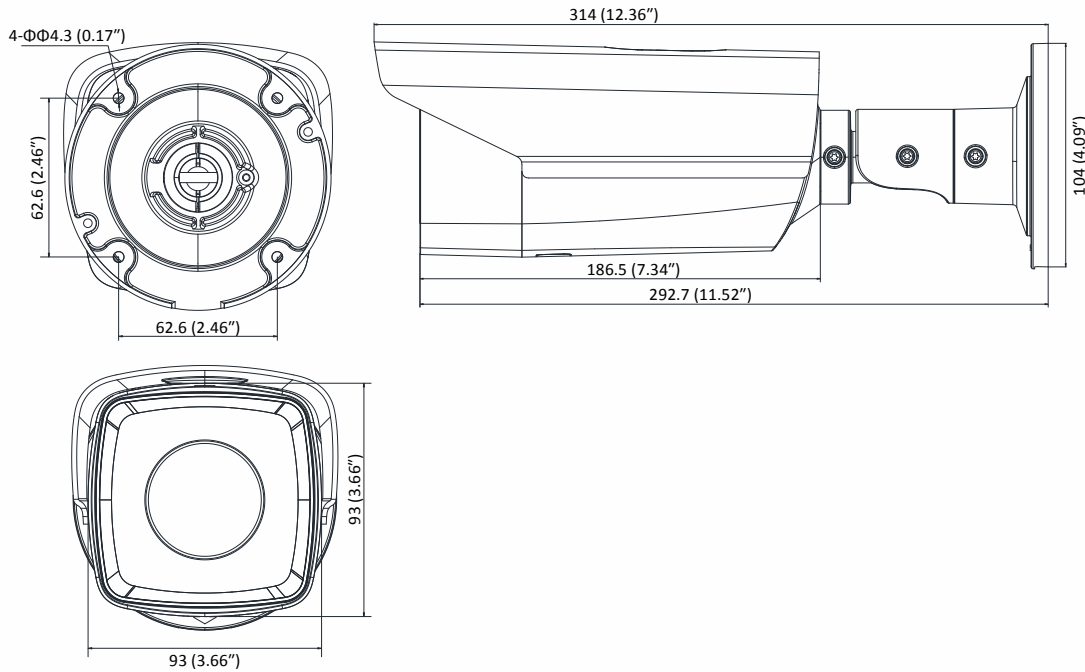
Note: The table below is only for reference, the performance varies from model to model, and the specific data is based on 17 μm Detector pitch.

| | | |
|--|------|-------|
| Lens (focal length) | 15mm | 25mm |
| VCA range (humans) | 110m | 183m |
| VCA range (Vehicles) | 308m | 514m |
| Temperature measurement (Object:2×2 m) | 351m | 585m |
| Temperature measurement (Object:1×1 m) | 177m | 295m |
| Fire Detection (Object:2×2 m) | 882m | 1470m |
| Fire Detection (Object:1×1 m) | 441m | 735m |

Order Models

DS-2TD2166T-15; DS-2TD2166T-25

Dimensions



Distributed by



HIKVISION®

Headquarters

No.555 Qianmo Road, Binjiang District,
Hangzhou 310051, China
T +86-571-8807-5998
overseasbusiness@hikvision.com

Hikvision USA
T +1-909-895-0400
sales.usa@hikvision.com

Hikvision Europe
T +31-23-55-42-770
info.eu@hikvision.com

Hikvision Middle East
T +971-4-8816086
salesme@hikvision.com

Hikvision Russia
T +7-495-669-67-99
saleru@hikvision.com

Hikvision India
T +91-22-28469900
sales@pramahikvision.com

Hikvision Italy
T +39-0438-6902
info.it@hikvision.com

Hikvision France
T +33(0)1-85-330-450
info.fr@hikvision.com

Hikvision Spain
T +34-91-737-16-55
info.es@hikvision.com

Hikvision Poland
T +48-22-460-01-50
poland@hikvision.com

Hikvision UK
T +01628-902140
support.uk@hikvision.com

Hikvision Singapore
T +65-6684-4718
sg@hikvision.com

Hikvision Oceania
T +61-2-8599-4233
salesau@hikvision.com

Hikvision Canada
T +1-909-895-0400
sales.usa@hikvision.com

Hikvision Korea
T +82-31-731-8841
sales.korea@hikvision.com

Hikvision Brazil
T +55 11 3318-0050
Latam.support@hikvision.com

Hikvision Africa
T +27 (10) 0351172
sale.africa@hikvision.com

Hikvision Hong Kong
T +852-2151-1761