

WSSPK24 Series

Outdoor Colored Lens Speaker/Strobe Series

1 unit per carton, 2 pounds per carton

Applications

The Gentex WSSPK24 Colored Lens Series is an outdoor listed, wall mount speaker/strobe that offers a quality speaker and visual alarm for warning and emergency notification. Applications include severe weather, evacuation, emergency response and many more.

The WSSPK24 colored lens speaker/strobe offers a fixed 15/75 candela in lens colors of amber, blue, green and red. The WSSPK24 Colored Lens Series provides a 25 or 70.7 VRMs speaker with field selectable power taps of 1/8W, 1/4W, 1/2W, 1W, 2W or 4W.

Included with the WSSPK24 Colored Lens Series speaker and speaker/strobe is the GBLP outdoor listed back box. Using the GBLP back box with the Series provides protection from weather related conditions and allows the necessary full candela output.

The WSSPK24 Colored Lens Series are ANSI/UL 1480, ANSI/UL 1638 and CAN/ULC S526 and/or CAN/ULC S541 listed and warranted for 3 years from the date of purchase.



Standard Features

- 24 VDC nominal voltage with a fixed 15/75 candela
- Shipped with GBLP outdoor listed back box
- Unit Dimension: 6.1" (15.494 cm) square x 4.06" (10.31 cm) deep
- Lens colors available: amber, blue, green and red
- Speaker voltage 25 or 70.7 VRMs standard, field selectable
- Field selectable power taps: 1/8W, 1/4W, 1/2W, 1W, 2W, 4W
- High quality dBA output (intelligible)
- Frequency range 400-4000Hz
- Screw terminals, separate in/out wiring (12-18 gauge)
- Synchronize with Gentex AVSM Control Module
- Tamperproof grill
- Faceplate available in red or off-white, wall mount

WSSPK24 Colored Lens Speaker/Strobes

Model Number	Part Number	Lens Color
WSSPKA24-15/75PWR	904-1421-002	Amber
WSSPKA24-15/75PWW	904-1422-002	Amber
WSSPKA24-15/75AWR	904-1429-002	Amber (ALERT Text)
WSSPKA24-15/75AWW	904-1430-002	Amber (ALERT Text)
WSSPKB24-15/75PWR	904-1423-002	Blue
WSSPKB24-15/75PWW	904-1424-002	Blue
WSSPKB24-15/75AWR	904-0524-002	Blue (ALERT Text)
WSSPKB24-15/75AWW	904-0525-002	Blue (ALERT Text)
WSSPKG24-15/75PWR	904-1425-002	Green
WSSPKG24-15/75PWW	904-1426-002	Green
WSSPKG24-15/75AWR	904-0526-002	Green (ALERT Text)
WSSPKG24-15/75AWW	904-0527-002	Green (ALERT Text)
WSSPKR24-15/75PWR	904-1427-002	Red
WSSPKR24-15/75PWW	904-1428-002	Red
WSSPKR24-15/75AWR	904-0528-002	Red (ALERT Text)
WSSPKR24-15/75AWW	904-0529-002	Red (ALERT Text)

WSSPK24 Colored Lens Strobe Current Ratings (mA)

24 VDC (16-33 Volts)	
Candela	UL Max
Amber	148 mA
Blue	280 mA
Green	360 mA
Red	397 mA

Speaker dBA @ 10 ft.

Input Watts	25 Volts	70.7 Volts
1/8	74.6 dBA	73.7 dBA
1/4	77.7 dBA	76.7 dBA
1/2	80.5 dBA	79.6 dBA
1	83.1 dBA	82.5 dBA
2	85.6 dBA	85.4 dBA
4	87.9 dBA	87.9 dBA

Product Listings



- ANSI/UL 1480 and ANSI/UL 1638 Listed
- CAN/ULC S526 and/or CAN/ULC S541 Listed
- CSFM: 7320-0569:0140

Product Compliance

- NFPA 72
- IBC/IFC/IRC
- City & State Ordinances/Laws/Regulations
- Quality Management System is certified to: ISO 9001:2008

R = Red Faceplate, W = White Faceplate

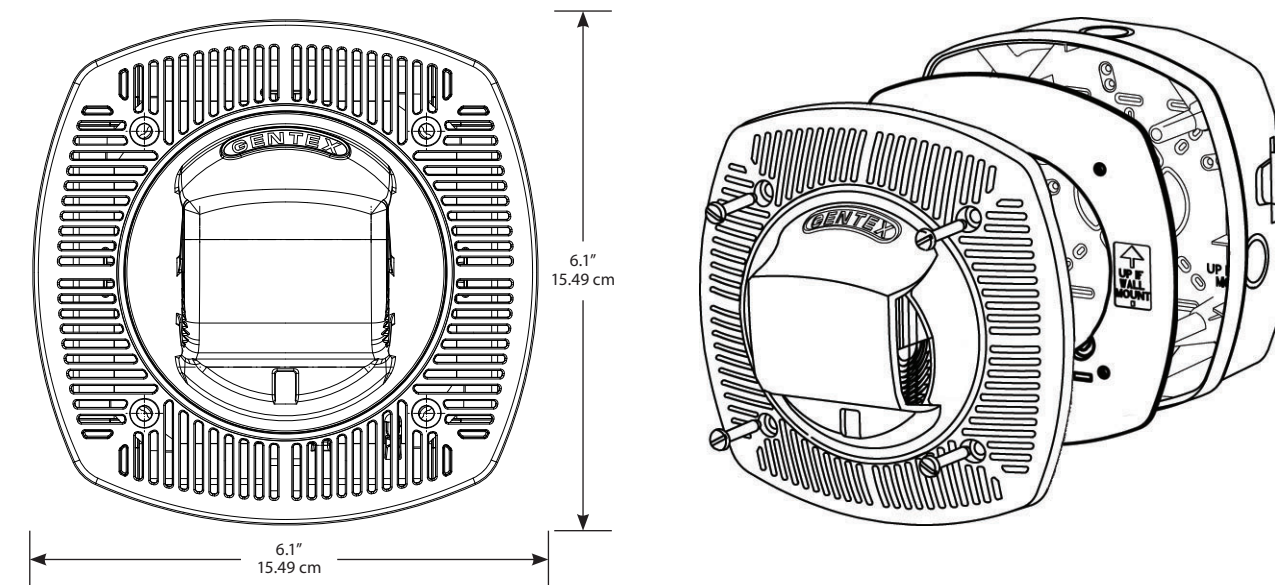
Lens Colors: A = Amber R = Red B = Blue G = Green

A = ALERT text

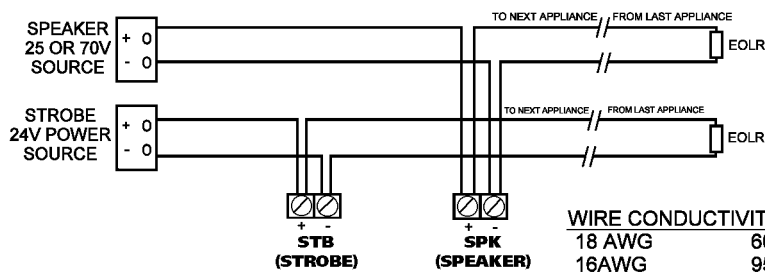
Units are available in plain (no lettering)

WSSPK24 Series

Outdoor Colored Lens Speaker/Strobe Series



Wiring Diagram



WIRE CONDUCTIVITY	
18 AWG	60
16AWG	95
14AWG	153
12AWG	244

* MAX. WIRE DISTANCE (IN FEET) = $\frac{\text{PANEL VOLTAGE} - \text{DEVICE MINIMUM VOLTAGE}}{\text{TOTAL CURRENT DRAW}} \times \text{WIRE CONDUCTIVITY (STROBE ONLY)}$

Notes

- Indoor operating temperature: 32° to 120°F (0° to 49°C)
- Outdoor operating temperature: -31° to 150°F (-35° to 66°C)
- The WSSPK Colored Lens Series is listed for outdoor use
- For nominal and peak current across ANSI/UL regulated voltage range for filtered DC power and unfiltered (FWR [Full Wave Rectified]) power, see installation manual
- This appliance is not recommended for use on coded or pulsing signaling circuits

Architect & Engineering Specifications

The fire alarm speaker shall be Gentex WSSPK24 Colored Lens or equivalent and shall be listed by Underwriters Laboratories, Inc. (ANSI/UL) per ANSI/UL 1638, ANSI/UL 1480 and with CAN/ULC S526 and/or CAN/ULC S541 Listed. The speaker shall be capable of producing alarm tones or voice on all 25 or 70.7 VRMs audio systems. The speaker shall provide incremental tap settings of 1/8, 1/4, 1/2, 1, 2 or 4 watts. Minimum dBA rating at 1/4 watt shall be 76.7 dBA at 70.7 volts and a minimum dBA rating at 4 watts shall be 87.9 dBA at 70.7 volts. Tap settings shall be adjustable with field selectable jumper pins. The speaker shall also have an optional visual signal capability with an operating current of 148 mA or less at 24 VDC for the 15/75 Cd strobe circuit. The strobe appliance shall have an input voltage range of 16-33 volts with either direct current or full wave rectified power for 24 volt models. The visual signal shall have a 1Hz flash rate regardless of input voltage. All field wiring connections shall be made via separate in-out terminal connections. The appliance has extended temperature range of -31° to 150°F (-35° to 66° C) and shall satisfy all outdoor and sever environment applications. The GBLP back box includes a gasket that must be inserted between the box and device and include drain holes in the back box to allow for drainage, the seal on the GBLP is not water tight.

GENTEX
CORPORATION

Fire Protection Products Group | 10985 Chicago Drive | Zeeland, MI 49464
gentex.com | Phone: 616.392.7195 | Toll-free: 800.436.8391 | Fax: 616.392.4219

551-0071-02

Important Notice: These materials have been prepared by Gentex Corporation ("Gentex") for informational purposes only, are necessarily summary, and are not purported to serve as legal advice and should not be used as such. Gentex makes no representations and warranties, express or implied, that these materials are complete and accurate, up-to-date, or in compliance with all relevant local, state and federal laws, regulations and rules. The materials do not address all legal considerations as there is inevitable uncertainty regarding interpretation of laws, regulations and rules and the application of such laws, regulations and rules to particular fact patterns. Each person's activities can differently affect the obligations that exist under applicable laws, regulations or rules. Therefore, these materials should be used only for informational purposes and should not be used as a substitute for seeking professional legal advice. Gentex will not be responsible for any action or failure to act in reliance upon the information contained in this material. Gentex Corporation reserves the right to make changes to the product data sheet at their discretion.