

Technical Manual



JBL PRX412M-WH

SPECIFICATIONS

ACOUSTIC & ELECTRICAL SPECIFICATIONS:

- Nominal Impedance: 8 Ohms
- System Power Rating, Pink Noise: 300W / 600W / 1200W, 2 hrs (Continuous/Program/Peak)
- Frequency Response (± 3 dB): 62 Hz – 19 Hz
- Frequency Range (-10 dB): 50 Hz – 20 kHz
- Maximum SPL: 120 dB SPL peak (126 dB SPL peak)
- System Sensitivity: 95 dB SPL 1 watt @ 1 meter
- Crossover Frequency: 2.0 kHz

SYSTEM COMPONENTS:

- Cabinet: Enclosure (Not For Sale)
- Grille: 5031712
- Low Frequency Transducer: MB112-8, 305 mm (12 in) Cone woofer
- D.C. Resistance: 5.0 ohm
- High Frequency Transducer: 2414H-C, 25 mm polymer diaphragm compression driver
- D.C. Resistance: 3.60 ohm +/- 0.2 ohm
- Input Cup Assembly: 5031709

AURAL SWEEP TEST SPECIFICATIONS:

- A. System. Aural Sweep Test: 7V Input, 40 Hz to 20 kHz
- B. L.F. Aural Sweep Test: 2.83V Input, 43 Hz - 3.8 kHz
- C. H.F. Aural Sweep Test: 0.75V Input, 500 Hz to 1.5 kHz

PHYSICAL SPECIFICATIONS:

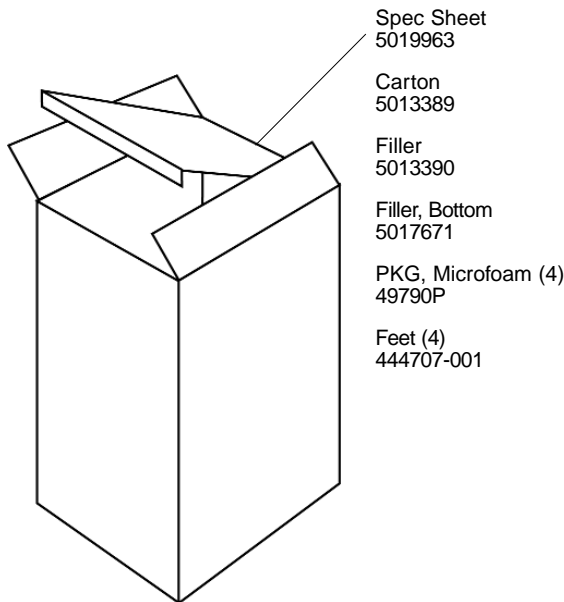
- Enclosure Dimensions: 574 x 353 x 399 mm D (22.5 x 13.9 x 15.7 in. D)
- Net Weight: 35 lb (16 kg.)

WARRANTY INFORMATION:

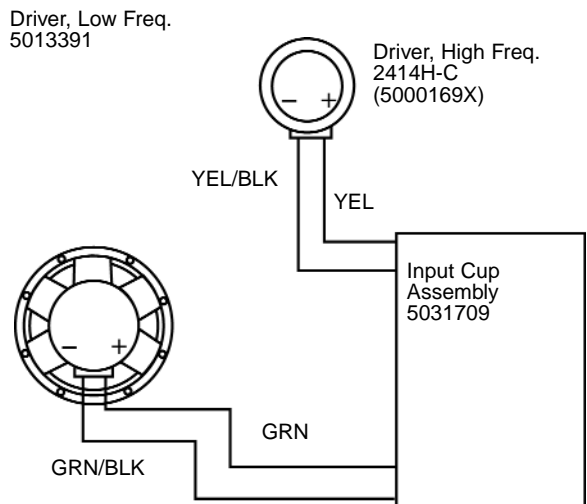
- Refer to Warranty Statement packed with each product.

PACKAGE

Warranty Card 59660



WIRING DIAGRAM



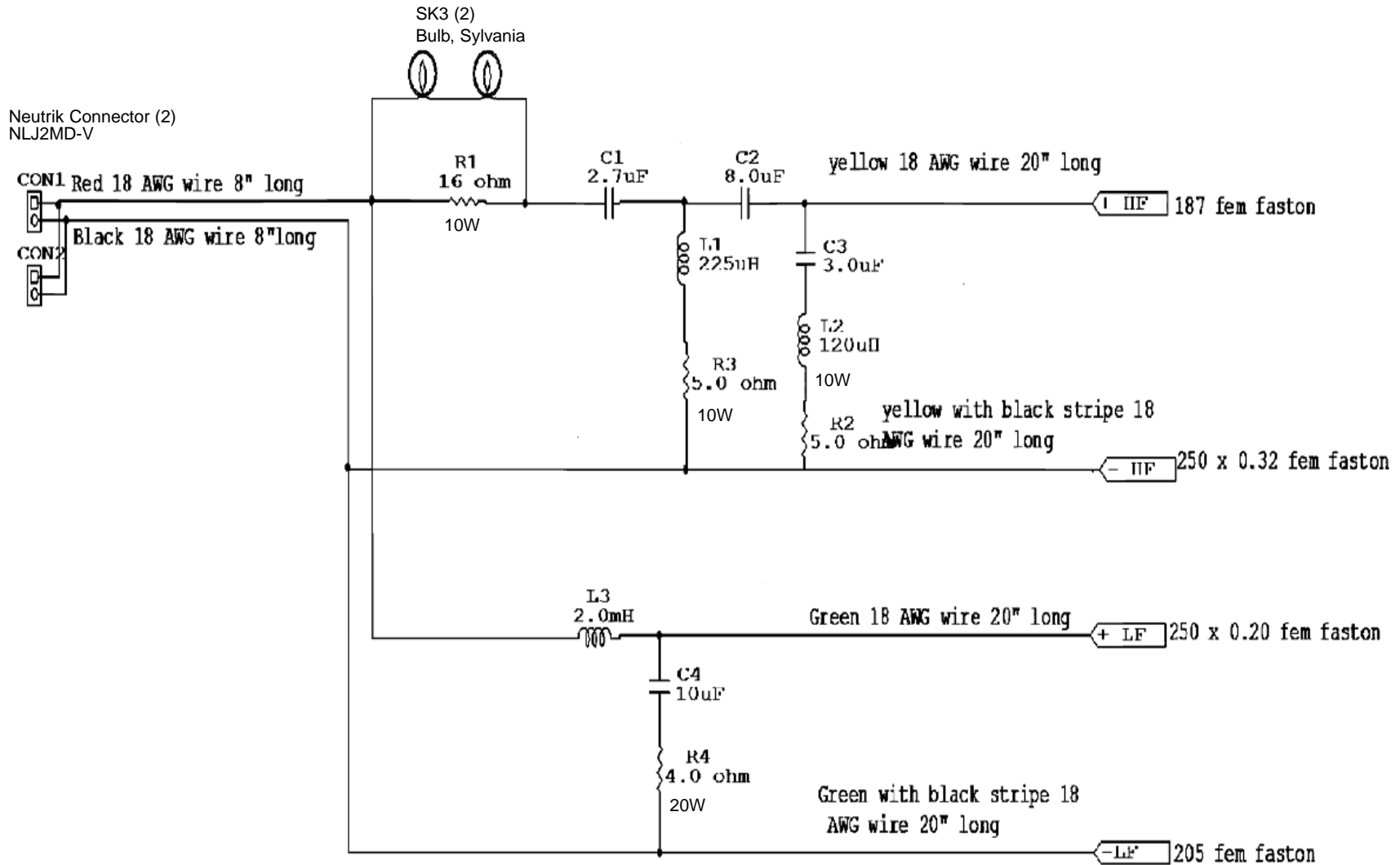
SEE INPUT CUP ASSEMBLY SCHEMATIC (5031709) PAGE 2

NOTE: INDIVIDUAL PARTS FOR THE ABOVE CROSSOVER ARE NOT AVAILABLE. A COMPLETE REPLACEMENT ASSEMBLY SHOULD BE ORDERED.

JBL PRX412M-WH REV A

JBL PRX412M-WH

INPUT CUP ASSEMBLY SCHEMATIC - (5031709)



Individual Parts for the above crossover are not available.
A complete replacement assembly should be ordered.

JBL PRX415M-WH

JBL PRX412M-WH

COMPONENT EXPLODED VIEW

