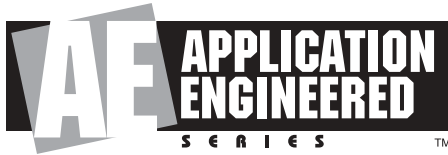


ASB6128 High Power Dual 18" Subwoofer



Key Features:

- ▶ 2 x 18" 2242H SVG™ Driver.
- ▶ Large vent area for high output with low distortion.
- ▶ Parallel/Discrete Switchable input mode.
- ▶ Arrays with various AE Series models (see AE Series Array Guide).

Applications:

- ▶ Performing arts facilities
- ▶ Theatrical sound design
- ▶ Auditoriums
- ▶ Houses of worship
- ▶ Live clubs
- ▶ Dance-clubs/discotheques
- ▶ Sport facilities
- ▶ Themed entertainment venues

ASB6128 is a high power subwoofer system comprised of two 460 mm (18 in) SVG Super Vented Gap low frequency drivers in a front-loaded, vented configuration. The deep cabinet allows for extended low frequency bandwidth with minimum frontal profile. The rectangular cabinet is fitted with M10 threaded suspension points. Pre-engineered array bracketry is available.

ASB6128 is part of JBL's AE Application Engineered Series, a versatile family of loudspeakers for a wide variety of applications.



Specifications:

System:	
Frequency Range (-10 dB):	28 Hz – 1 kHz
Frequency Response (±3 dB):	35 Hz – 1 kHz
Input Modes:	Drivers Parallel / Drivers Discrete
Transducer Power Rating (AES):	2400 W (9600 W peak), 2 hrs
Long-Term System Power Rating ² :	1600 W (6400 W peak), 100 hrs
Maximum SPL ³ :	30 Hz – 100 Hz: 136 dB-SPL cont avg (142 dB peak) 100 Hz – 500 Hz: 136 dB-SPL cont avg (142 dB peak)
System Sensitivity (dB-SPL, 1W @ 1m):	30 Hz – 100 Hz: 102 dB 100 Hz – 500 Hz: 102 dB
Nominal Impedance:	4 ohms in parallel-drive mode 2 x 8 ohms in discrete-drive mode
Transducers:	
Low Frequency Driver:	2 x JBL 2242H 460 mm (18 in) SVG™ drivers with 100 mm (4 in) voice coil
Physical:	
Enclosure:	Rectangular cabinet, 16 mm (5/8 in) exterior grade 11-ply Finnish birch plywood
Suspension Attachment:	12 points (3 top, 3 bottom, 2 each side, 2 rear), M10 threaded hardware
Finish:	Black DuraFlex™ finish. White available upon request.
Grille:	Powder coated 14 gauge perforated steel, with acoustically transparent black foam backing.
Input Connector:	NL4 Neutrik Speakon® and CE-compliant covered barrier strip terminals. Barrier terminals accept up to 5.2 sq mm (10 AWG) wire or max width 9 mm (.375 in) spade lugs. Speakon in parallel with barrier strip for loop-through.
Environmental Specifications:	Mil-Std 810; IP-x3 per IEC529.
Dimensions (H x W x D in vertical cabinet orientation):	1094 x 561 x 816 mm (43.1 x 22.1 x 32.2 in)
Net Weight:	73.0 kg (161 lb)
Optional Accessories:	M10 x 35 mm forged shoulder eyebolts with washers. Optional planar array frame kit. See AE Series Bracket Guide

¹AES standard, one decade pink noise with 6 dB crest factor within device's operational band, free air. Standard AES 2 hr rating plus long-term 100 hr rating are specified for low-frequency transducers.

²AES standard, one decade pink noise with 6 dB crest factor, in cabinet, long-term 100 hr rating.

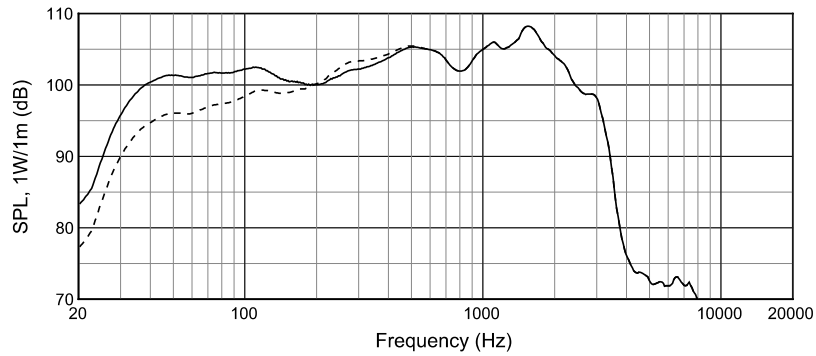
³Calculated based on power rating and sensitivity, exclusive of power compression.

⁴Half-space (2π) loading, averaged in specified frequency band.

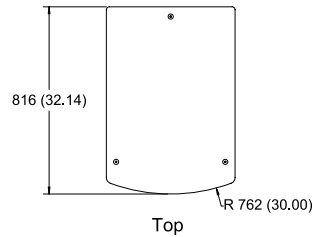
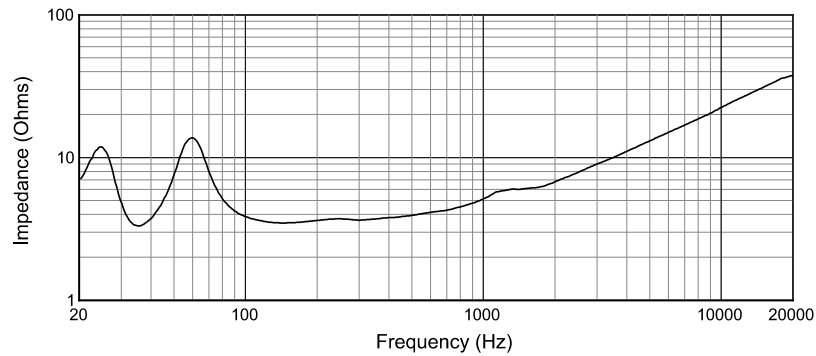
JBL continually engages in research related to product improvement. Changes introduced into existing products without notice are an expression of that philosophy.

▶ ASB6128 High Power Dual 18" Subwoofer

Frequency response is measured on-axis at a distance referenced to 1 m @ 1 watt (2.0 Vrms) input, shown as half-space (2π , solid line) and full-space (4π , dotted line) environment.

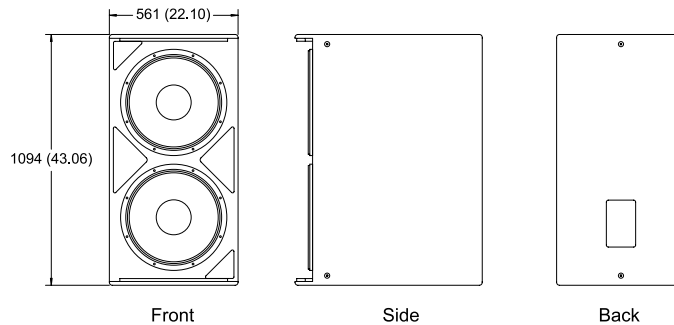


Electrical Input Impedance (parallel mode)



Dimensions in mm (in)

For more detailed dimensional information, refer to Application Data Sheet



JBL Professional
8500 Balboa Boulevard, P.O. Box 2200
Northridge, California 91329 U.S.A.

A Harman International Company
© Copyright 2002 JBL Professional

SS ASB6128
CRP 10M
7/02