

Technical Manual



JBL AM7315/64-WH

SPECIFICATIONS

ACOUSTIC & ELECTRICAL SPECIFICATIONS:

- Nominal Impedance: 8 Ohms
- Transducer Power Rating: LF: 1000W (4000W peak), 2 hrs
(AES) 750W (3000W peak), 100 hrs
MF: 350W (1400W peak), 2 hrs
HF: 100W (400W peak), 2 hrs
- Long-Term System Power Rating (IEC): LF: 600W (2400W peak), 100 hrs
MF/HF: 200W (800W peak), 100 hrs
- Frequency Response: 45 Hz - 18 kHz (± 3 dB)
- Frequency Range: 38 Hz - 20 kHz (-10 dB)
- Maximum SPL: LF: 127 dB-SPL cont avg (133 dB peak)
Tri-amp mode: MF: 133 dB-SPL cont avg (139 dB peak)
HF: 135 dB-SPL cont avg (141 dB peak)
- Bi-amp mode: MF/HF: 133 dB-SPL cont avg (139 dB peak)
- System Sensitivity of Passive Sections: MF/HF section in Bi-amp: 108 dB SPL
1 watt @ 1 meter
- Crossover Frequency: 300 Hz, 2.3 kHz

SYSTEM COMPONENTS:

- Cabinet: Enclosure (Not For Sale)
- Grille: 338163-008, 338163-108 (WH)
- Low Frequency: 2265HPL, (15 in) Differential Drive®

SYSTEM COMPONENTS: (CONT'D)

- Transducer: driver with 75 mm (3 in) dual voice coil
- DC Resistance: 5.10 ohm +/- 10%
- Midrange Driver: JBL CMCD-82H, Cone Compression Driver with integral 200 mm (8 in) Differential Drive® dual voice-coil internal driver
- DC Resistance: 5.10 ohm +/- 10%
- High Frequency Transducer: 2432H, 38 mm (1.5 in) exit compression driver, 75 mm (3 in) voice coil
- DC Resistance: 4.00 ohm +/- 0.2 ohm
- Crossover Network: 445297-001

AURAL SWEEP TEST SPECIFICATIONS:

- A. System Aural Sweep Test: 7.0V Input, 10 Hz to 10 kHz
Sweep Duration: 5 seconds
- B. L.F. Aural Sweep Test: 15.0V Input, 10 Hz to 1 kHz
- C. M.F. Aural Sweep Test: 7.0V Input, 20 Hz to 1 kHz
- D. H.F. Aural Sweep Test: 3.0V Input, 300 Hz to 1.0 kHz

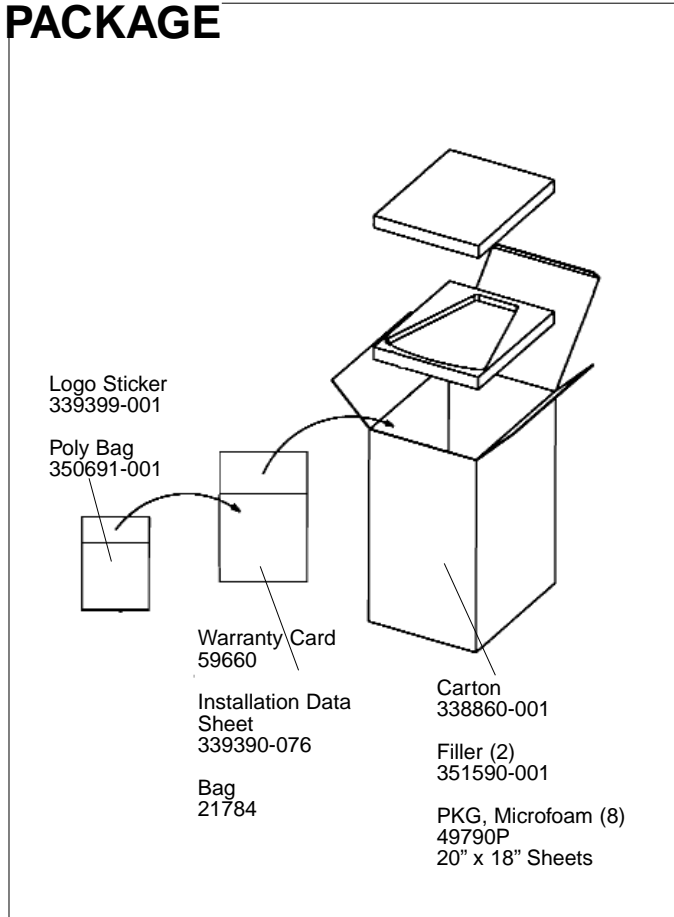
PHYSICAL SPECIFICATIONS:

- Enclosure Dimensions: 967 x 561 x 657 mm D
(38.1 x 22.1 x 25.9 in.D.)
- Net Weight: 101 lb (45.8 kg.)

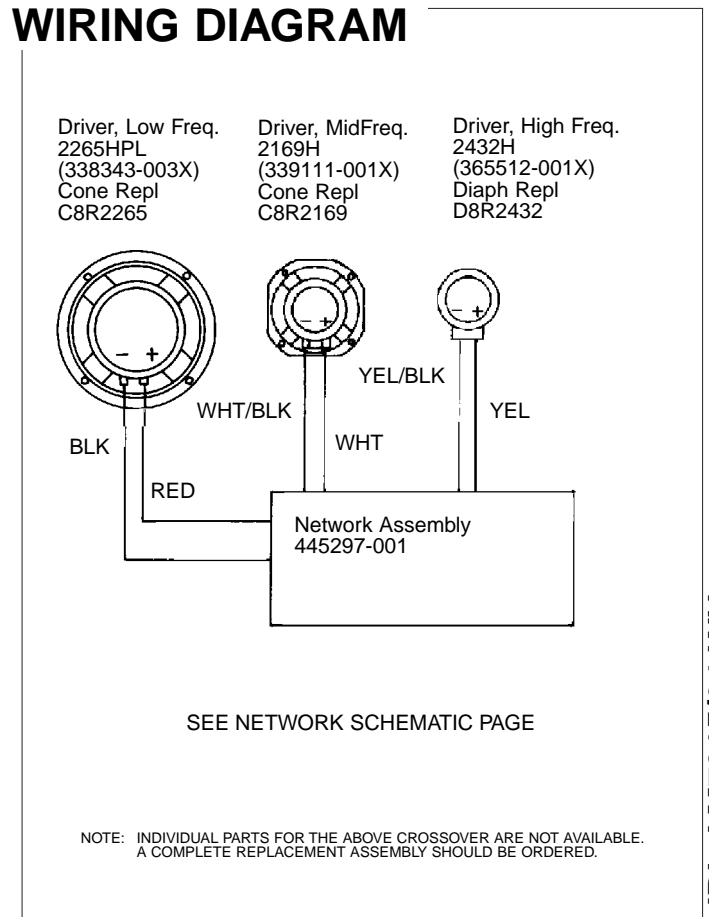
WARRANTY INFORMATION:

- Refer to Warranty Statement packed with each product.

PACKAGE



WIRING DIAGRAM

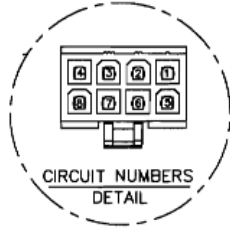


JBL AM7315/64-WH REV C

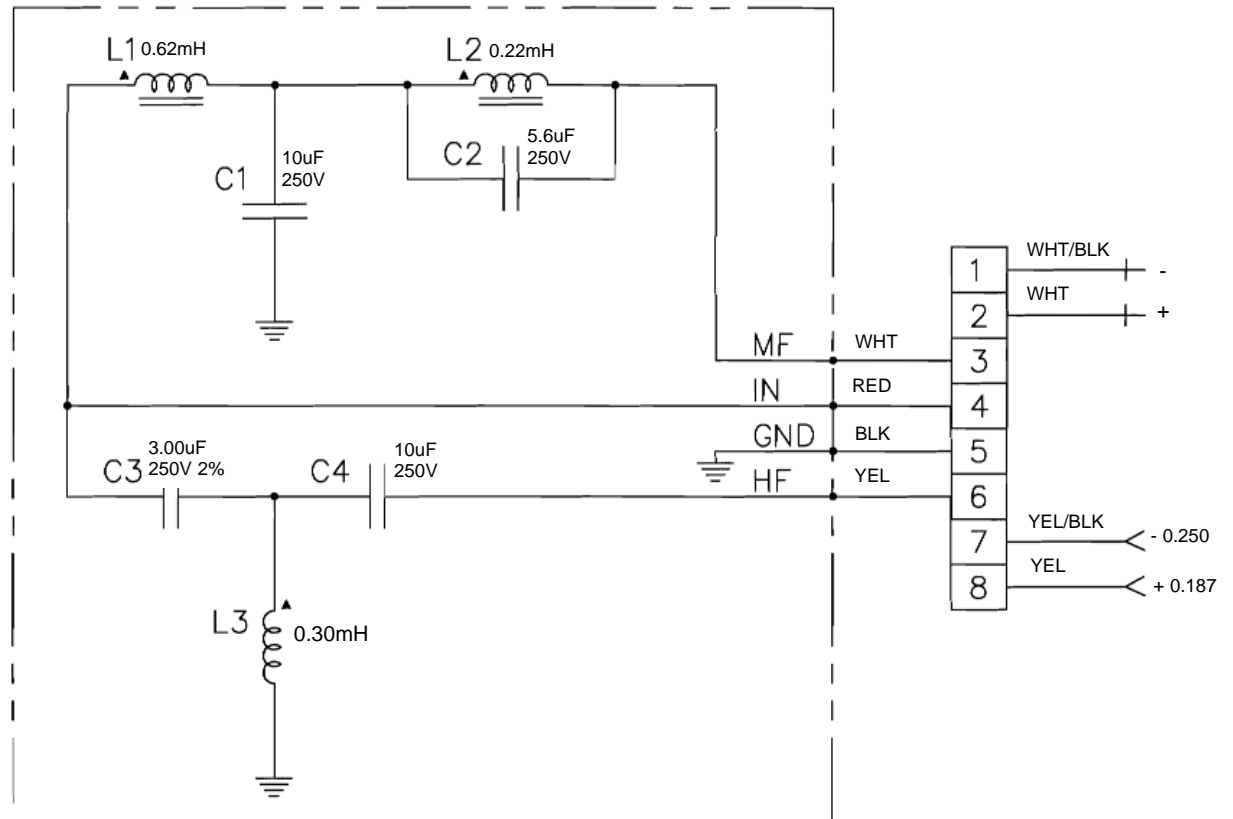
JBL AM7315/64-WH

SCHEMATIC (445297-001)

VIEW FROM CONNECTOR PIN SIDE



PCB ASSEMBLY

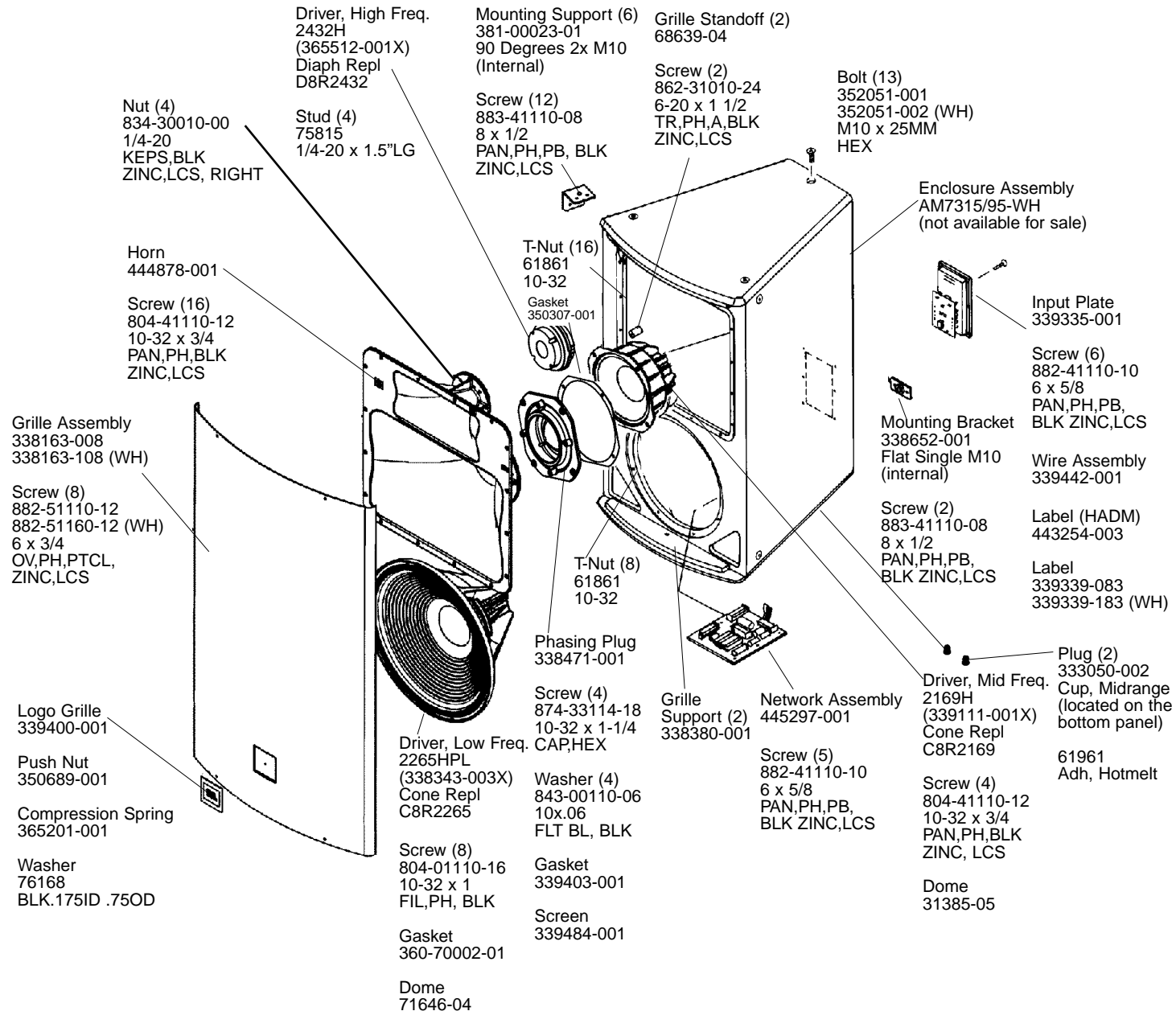


Individual Parts for the above crossover are not available.
A complete replacement assembly should be ordered.

JBL AM7315/64-WH

JBL AM7315/64-WH

COMPONENT EXPLODED VIEW



JBL AM7315/64-WH