



AM7212/66

High Power 2-Way Loudspeaker with 1 x 12" LF

Professional Series

Key Features:

- ▶ 60° x 60° Coverage
- ▶ 2262H Differential Drive® Low-Frequency Driver
- ▶ 2432H High-Frequency Compression Driver
- ▶ Large PT™ Progressive Transition waveguide for excellent pattern control and low distortion
- ▶ Rotatable waveguide for vertical or horizontal orientation
- ▶ Bi-Amp/Passive Switchable
- ▶ Available in Black, White and WRC/WRX finishes

Applications:

- ▶ Performing Arts Facilities
- ▶ Theatrical Sound Design
- ▶ Auditoriums
- ▶ Worship Facilities
- ▶ Live Clubs
- ▶ Dance Clubs
- ▶ Sports Facilities
- ▶ Themed Entertainment Venues

The AM7212/66 is a high power, lightweight, 2-way, full-range loudspeaker system comprised of the JBL Differential Drive dual voice coil and dual magnetic gap 2262H 300 mm (12 in) low-frequency driver and 2432H high-frequency 38 mm (1.5 in) exit, 75 mm (3 in) voice-coil compression driver. The large format Progressive Transition waveguide provides excellent 60° x 60° coverage. The waveguide is rotatable so the loudspeaker system can be used in either the vertical or horizontal orientation. High-slope passive networks minimize band overlap. Well-controlled off-axis response enhances arrayability.

The enclosure is constructed of multi-ply birch coated in JBL's rugged DuraFlex™ finish and is heavily braced to maximize low-frequency performance. The trapezoid enclosure is fitted with fifteen M10 threaded attachment points and utilizes a 14-gauge steel grille internally lined with acoustically transparent foam to provide additional driver protection and give a very professional appearance.

The AM7212/66 is part of JBL's AE Series, a versatile family of loudspeakers intended for a wide variety of applications.



Specifications:

System:	
Frequency Range ¹ (-10 dB):	36 Hz – 20 kHz
Frequency Response ¹ (±3 dB):	42 Hz – 20 kHz
Coverage Pattern:	60° x 60°, rotatable waveguide
Directivity Factor (Q):	13.5
Directivity Index (DI):	11.4 dB
Crossover Modes:	Bi-amp/Passive switchable
Passive Crossover Frequency ² :	1.6 kHz
Transducer Power Rating (AES) ³ :	LF: 1000 W (4000 W peak), 2 hrs 700 W (2800 W peak), 100 hrs HF: 100 W (400 W peak), 2 hrs
Long-Term System Power Rating (IEC) ⁴ :	Passive mode: 600 W (2400 W peak), 100 hrs
Maximum SPL:	Bi-amp mode: LF: 126 dB-SPL cont avg (132 dB peak) HF: 134 dB-SPL cont avg (140 dB peak) Passive mode: 123 dB-SPL cont avg (129 dB peak)
System Sensitivity ⁵ (1W @ 1m):	Passive mode: 95 dB SPL
Transducers:	
<u>Low Frequency Driver:</u>	1 x JBL 2262H 300 mm (12 in) Differential Drive® driver with 75 mm (3 in) dual voice coil
Nominal Impedance:	8 ohms
Sensitivity ⁶ (1W @ 1m, within operational band):	96 dB SPL
<u>High Frequency Driver:</u>	JBL 2432H, 38 mm (1.5 in) exit compression driver, 75 mm (3 in) voice coil
Nominal Impedance:	8 ohms
Sensitivity ⁶ (1W @ 1m):	114 dB SPL
<u>Waveguide:</u>	PT-H66HF-1
Physical:	
Enclosure:	Trapezoidal with 15 degree side angles, 16 mm (5/8 in) exterior grade 11-ply Finnish birch plywood
Suspension Attachment:	15 points (4 top, 4 bottom, 2 each side, 3 rear), M10 threaded hardware
Finish:	Black DuraFlex™ finish. White available upon request.
Grille:	Powder coated 14 gauge perforated steel, with acoustically transparent black foam backing.
Input Connector:	NL4 Neutrik Speakon® and CE-compliant covered barrier strip terminals. Barrier terminals accept up to 5.2 sq mm (10 AWG) wire or max width 9 mm (.375 in) spade lugs. Speakon in parallel with barrier strip for loop-through.
Environmental Specifications:	Mil-Std 810; IP-x3 per IEC529.
Dimensions (H x W x D in vertical cabinet orientation):	711 x 369 x 458 mm (28.0 x 14.3 x 18.0 in)
Net Weight:	23.1 kg (51 lb)
Optional Accessories:	M10 x 35 mm forged shoulder eyebolts with washers U-Bracket MTU-3

¹Bi-amp mode, with recommended active tuning.

²Resultant engineered acoustical response of crossover network and components.

³AES standard, one decade pink noise with 6 dB crest factor within device's operational band, free air. Standard AES 2 hr rating plus long-term 100 hr rating are specified for low-frequency transducers.

⁴IEC standard, full bandwidth pink noise with 6 dB crest factor, 100 hours.

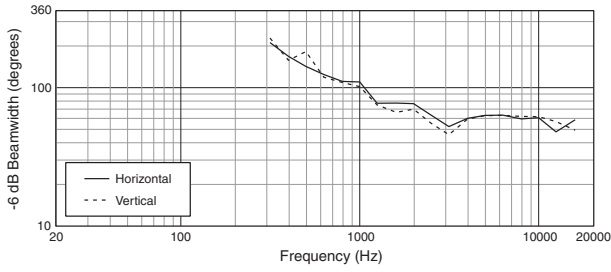
⁵Calculated based on power rating and sensitivity, exclusive of power compression.

⁶Anechoic sensitivity in free field, no additional sensitivity gain from boundary loading.

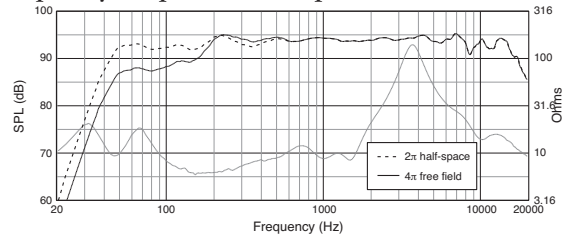
JBL continually engages in research related to product improvement. Changes introduced into existing products without notice are an expression of that philosophy.

► AM7212/66 High Power 2-Way Loudspeaker with 1 x 12" LF

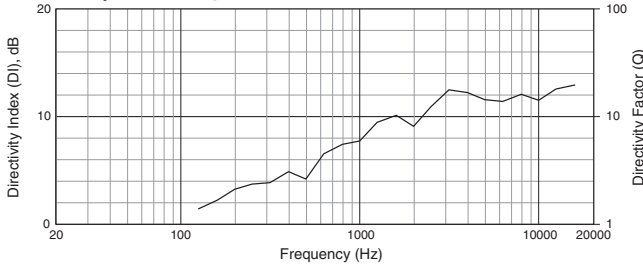
Beamwidth



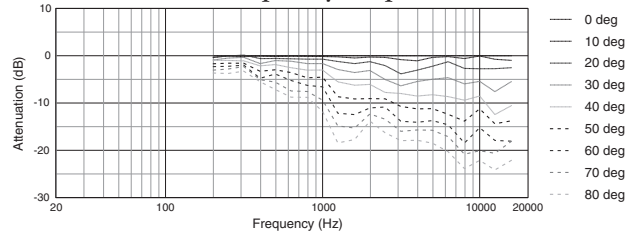
Frequency Response and Impedance



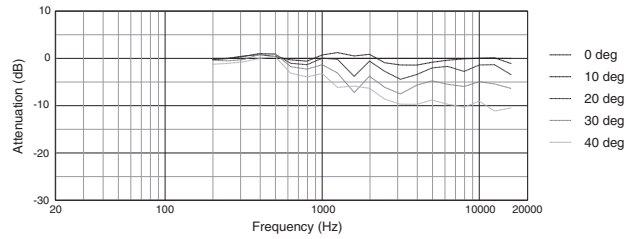
Directivity Index, Q



Horizontal Off-Axis Frequency Response



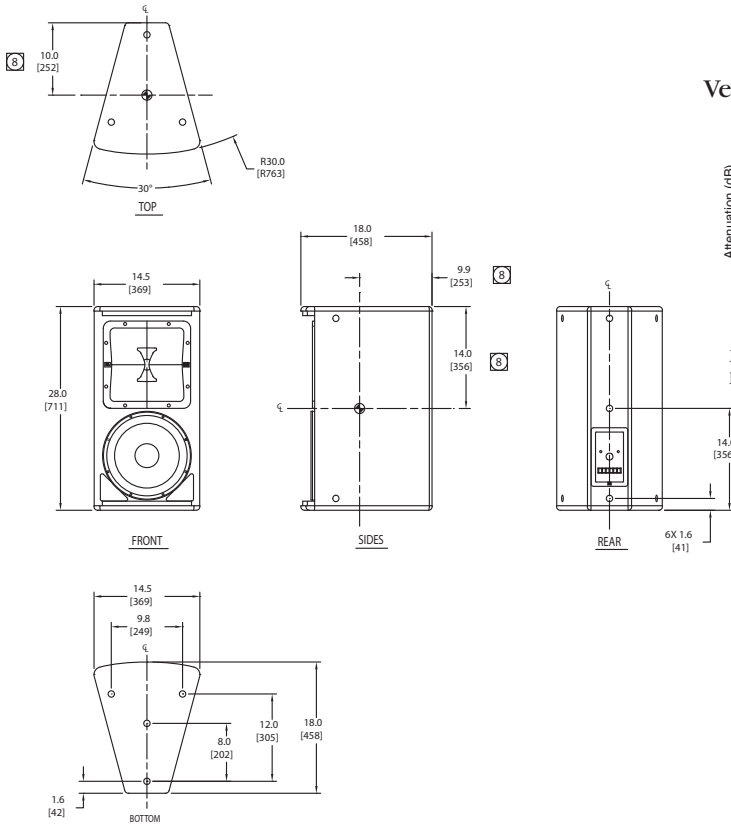
Vertical Up Off-Axis Frequency Response



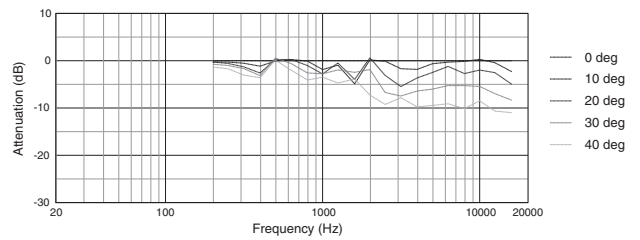
Dimensions

Dimensions in mm (in)

For more detailed dimensional information, refer to Application Data Sheet

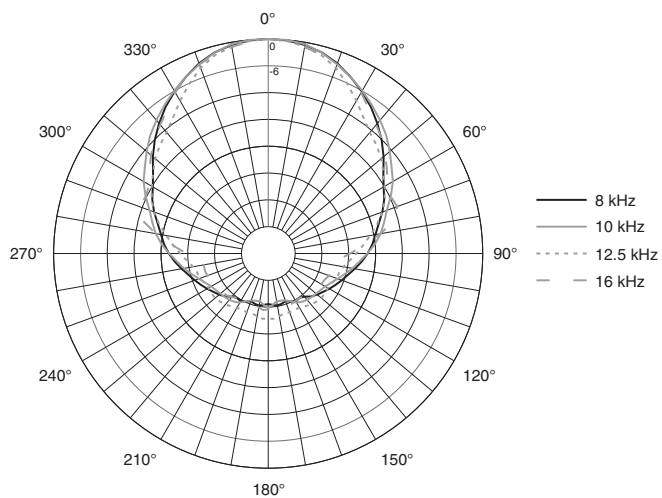
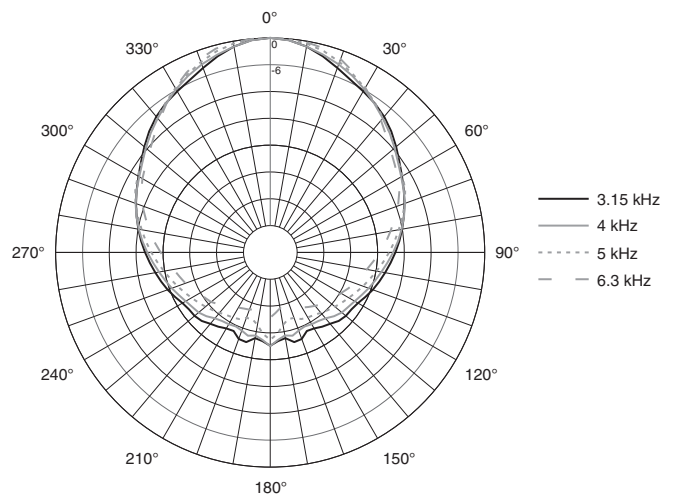
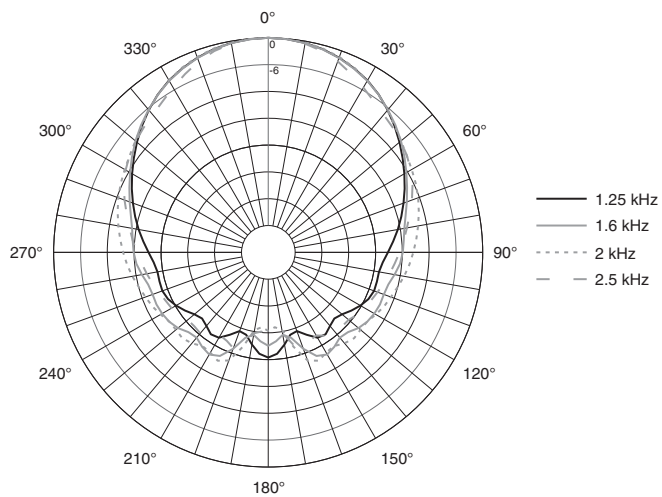
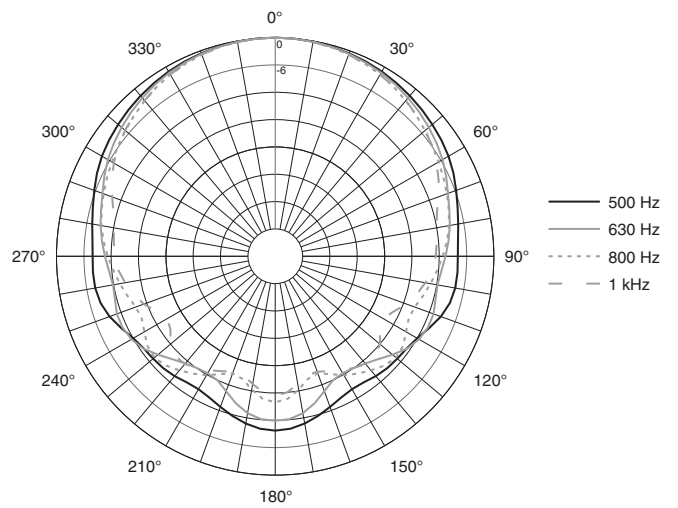
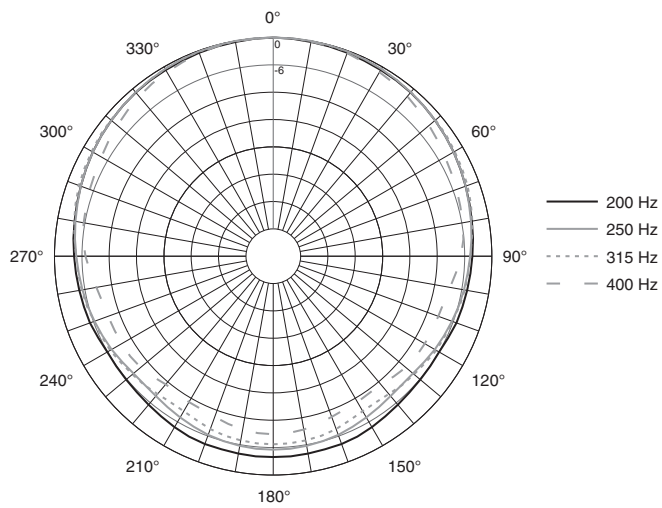


Vertical Down Off-Axis Frequency Response



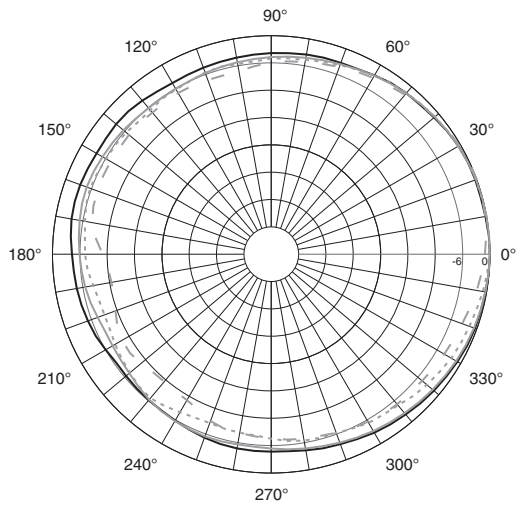
Measurements obtained in full passive crossover mode with no signal processing. Graphs are from unaltered measured data.

Horizontal 1/3 Octave Polars

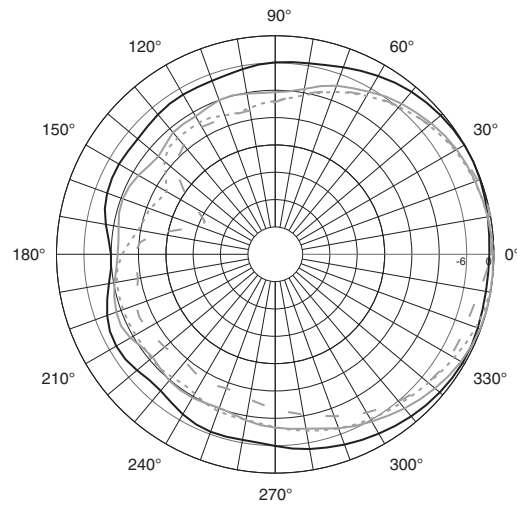


► AM7212/66 High Power 2-Way Loudspeaker with 1 x 12" LF

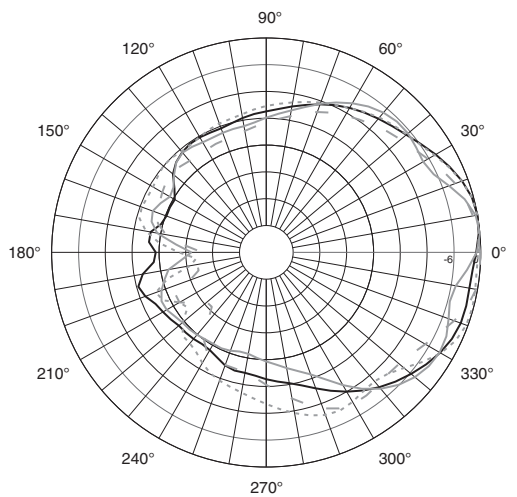
Vertical 1/3 Octave Polars



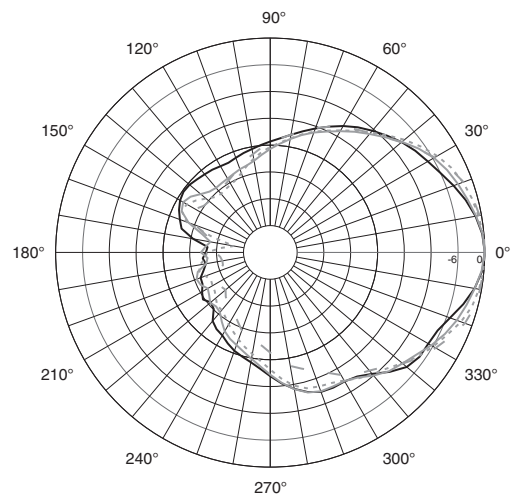
— 200 Hz
— 250 Hz
- - - 315 Hz
- - - 400 Hz



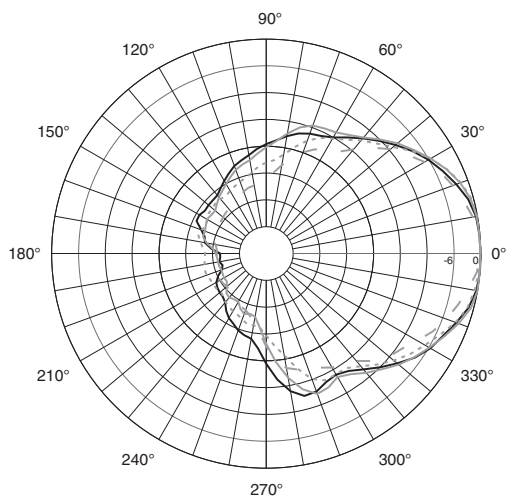
— 500 Hz
— 630 Hz
- - - 800 Hz
- - - 1 kHz



— 1.25 kHz
— 1.6 kHz
- - - 2 kHz
- - - 2.5 kHz



— 3.15 kHz
— 4 kHz
- - - 5 kHz
- - - 6.3 kHz



— 8 kHz
— 10 kHz
- - - 12.5 kHz
- - - 16 kHz



JBL Professional
8500 Balboa Boulevard, P.O. Box 2200
Northridge, California 91329 U.S.A.

© Copyright 2010 JBL Professional
www.jblpro.com

SSAM7212/66
CRP
08/10