



Wide Frequency & Consistent Beamwidth Control

Model APX40TN a conservatively rated 40 watt, constant-directivity paging loudspeakers for use in public address or paging applications. 40 watt model has a 40 watt tap at 70V. Environment-resistant units feature a 60° x 40° (±10°) constant-dispersion pattern across the controlled frequency band of 1.25-10 kHz. The rotating bell pivots in precise 15° increments for exact on-site positioning of projection angles. A triple lock security mounting method saves installation time and provides long-term stability. APX models are equipped with an internal 25/70.7/100 volt transformer with screw terminal connections made beneath the rear cap. Rear cap will facilitate armored cable. Power stripe code around the driver assembly provides identification of power rating from a distance. Loudspeaker mounts to die-cast zinc base. Pre-mount the base to a standard 1-gang, 2-gang, or 4" sq.



APX40TN

E.O. box. If replacing AP Series speakers, simply remove the APX base and mount to the Omni-Purpose® bracket. Finish is neutral.

Features

- Controlled Coverage of 60° x 40° Across a Wide Frequency Range for Predictable Beamwidth Control
- 40 Watt Models For Better Output Over Competitive 15 & 30-Watt Standards
- Triple Lock Horn-to-Base Mounting Method Speeds Installation and Insures Long-Term Stability
- Rotating Bell Pivots in 15° Increments for Exact On-Site Positioning of Projection Angles Detailed in Acoustic Simulation Programs
- Rear Cap Includes Partially-Captive Screws (No Loose Parts) for Swing-Open Access to Power Taps and Wire Connections. Cap Includes Knockout for Conduit Connection
- Sturdy Die-Cast Base Includes Provisions for Flex Conduit and May Be Mounted to 1-gang, 2-gang, and 4" Square E.O. Boxes, Banded to Poles or Removed for Easy Retrofit of Existing AP Series Loudspeakers
- Loudspeaker is Molded of High-Impact, Neutral-Grey Polycarbonate Resin with UV Light Inhibitor Preventing Embrittlement or Discoloration
- Universal 25/70/100V Transformer Includes a Rotary-Dial Selector for Easy Tap Identification
- Speaker Mounting is Backwards Compatible to AP Series—Simply Remove Base and Mount to Omni-Purpose® Bracket

"X"-tra Value Features

- Rotating Bell
- Triple Lock Security
- "Power Stripe" Code
- Quality Materials

"X"-tra Easy Installation

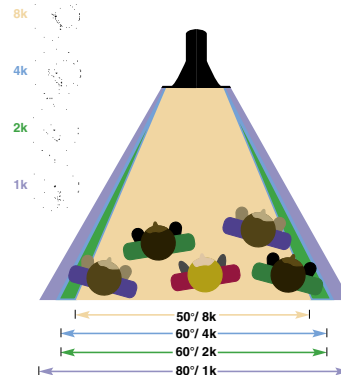
- Universal base mounts 1-gang, 2-gang or 4" sq. E.O. boxes.
- 40 watt model includes 30 watt tap @ 70V.

"X"-tra Predictability

- Clear Messaging and Music
- Consistent Beamwidth Control
- Fewer Speakers to Provide Quality Communications

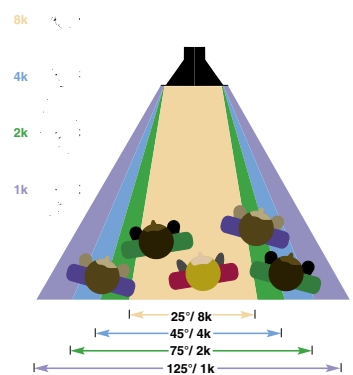
APX Beamwidth

Controlled Coverage
Across a Wide Freq. Range



Conventional Beamwidth

Collapsing Coverage
Across a Wide Freq. Range



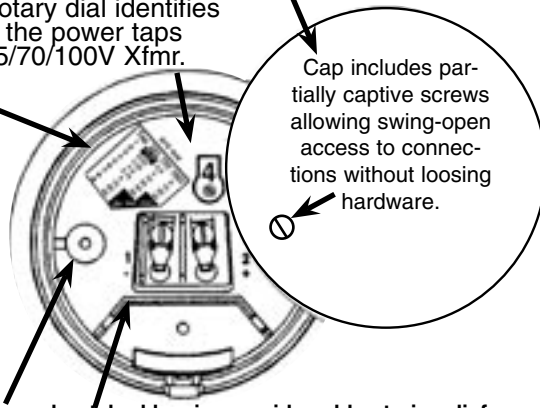
* Typical exponential coverage illustrated



Wire entrance slot may be enlarged with needle nosed pliers for larger jacketed cables.

Unique rotary dial identifies and sets the power taps on the 25/70/100V Xfmr.

Handy tap reference chart



Cap includes partially captive screws allowing swing-open access to connections without losing hardware.

Posts and notched barrier provide cable strain relief.

APX40TN Transformer Power Taps				
Switch Position	Impedance (Ohms)	Watts @ 25V	Watts @ 70.7V	Watts @ 100V
1	2,000	-	2.5	5.0
2	1,000	.63	5.0	10.0
3	500	1.25	10.0	20.0
4	250	2.5	20.0	40.0
5	167	3.75	30.0	X*
6	125	5.0	40.0	X*
7	62.5	10.0	X*	X*
8	31.3	20.0	X*	X*
9	15.6	40.0	X*	X*

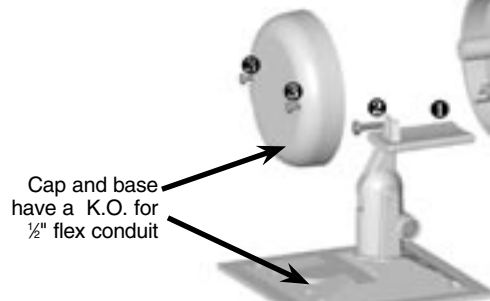
(*Do Not Use)

Frequency (Hz)	Q	(dB) Di	Beamwidth (Degrees)	
			Horizontal	Vertical
500	6	7	120	140
1000	15	12	80	100
2000	26	14	60	60
4000	27	14	60	40
8000	36	16	50	40

Triple Lock Security

Loudspeaker quickly snap-locks to base to allow easy wiring connections, then secures with screws to withstand weather conditions and external forces that, traditionally, cause sagging or repositioning of the loudspeaker bell.

- ❶ Loudspeaker snap-locks to base sleeve
- ❷ Snap-lock Plastite® type screw secures assembly
- ❸ Security cap screw-locks base between cap and speaker with (2) two screws

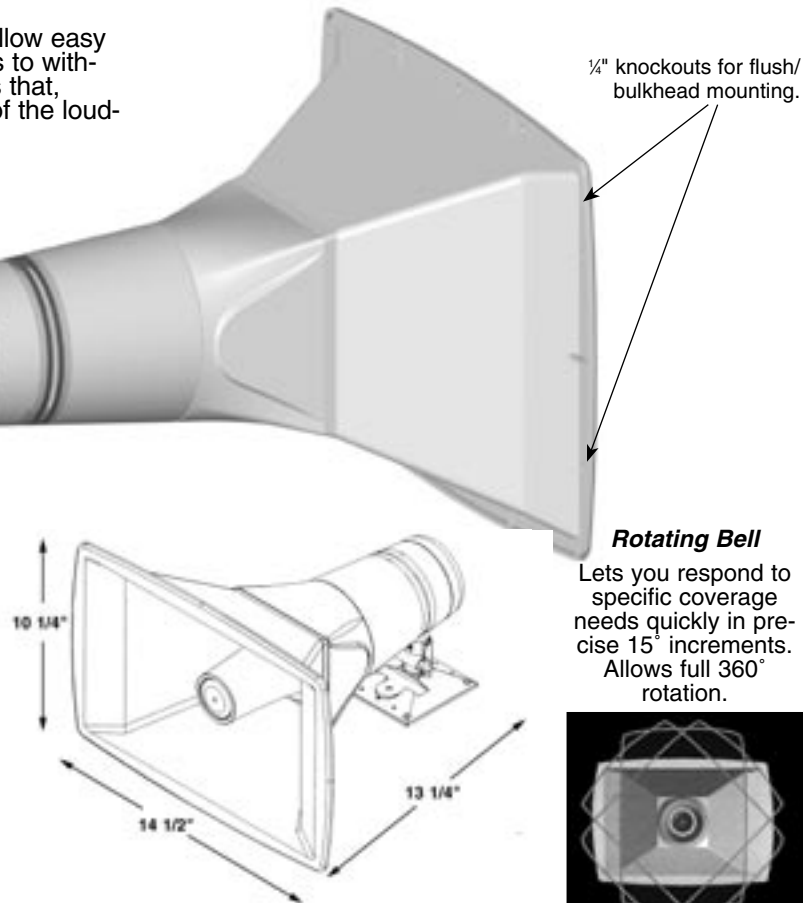


Cap and base have a K.O. for 1/2" flex conduit

Multi-purpose base accepts 1-gang, 2-gang or 4" Sq. E.O. Boxes in recessed, surface, indoor or outdoor styles.

The base may also be clamped or band mounted to poles or beams, removed for flush/bulkhead installation, or removed to retrofit existing speaker installations with AP Series Omni-Purpose® mount.

Note: All installation methods should carefully take into consideration loudspeaker assembly weight and environmental conditions.



MODEL	POWER RATING	NOMINAL FREQ.	SOUND LEVEL		DIS-PERSION	IMPEDANCE	DIMENSIONS	WEIGHT
			*PEAK	**RP/1M, 1W/1M				
APX40TN	40 Watts	400 7500Hz	124dB	120, 107dB 500-5000 Hz (±5dB)	60° x 40°	***	14 1/2"W 10 1/4" H 13 1/4"D	6 lbs. 2.7 kg

• Five Year Limited Warranty •



1601 Jack McKay Blvd.
Ennis, TX 75119
AtlasSound.com
Tech Support 800.876.3333

Printed in the USA
Specifications are subject to change without notice.

© 2004 Atlas Sound LP. Atlas Sound is a trademark of Atlas Sound. All rights reserved.
484072 00304 AT5001717 RevA 3/04