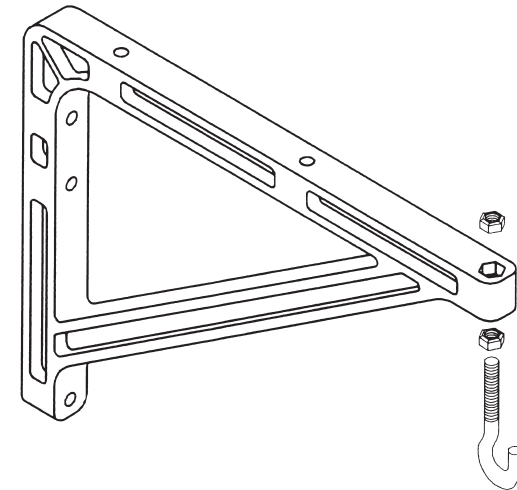
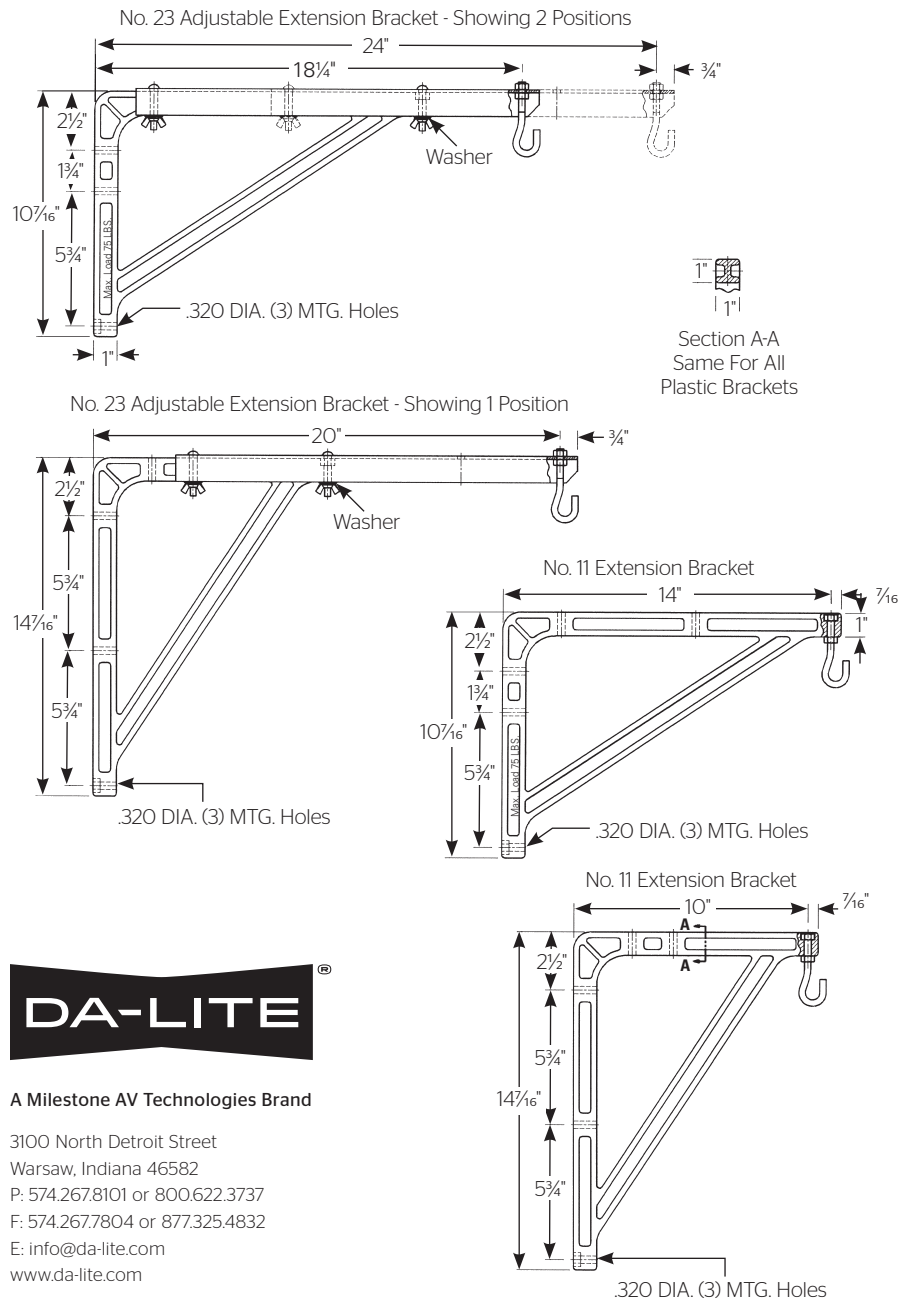


Extension Wall Mounting Brackets



MOUNTING INSTRUCTIONS FOR
No. 11 and No. 23
Wall Brackets



A Milestone AV Technologies Brand

3100 North Detroit Street
Warsaw, Indiana 46582
P: 574.267.8101 or 800.622.3737
F: 574.267.7804 or 877.325.4832
E: info@da-lite.com
www.da-lite.com

DL-0339 (Rev. 1) 12.15

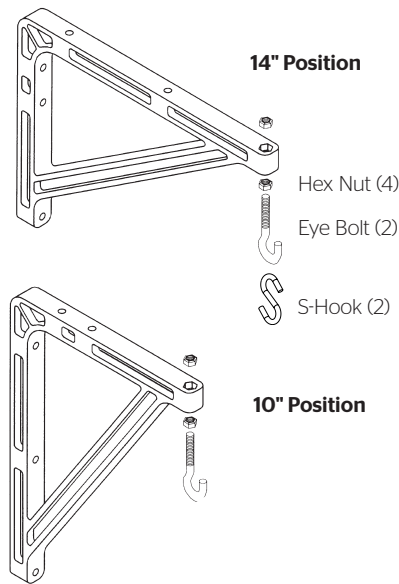
© 2015 Milestone AV Technologies LLC. Printed in U.S.A.

79163



No. 11 Extension Wall Brackets

- Screen can be extended 10" or 14" from wall by selecting one of the two mounting positions shown above.



Installation

Wall fasteners not included

- Install eye bolts in wall brackets. Determine the height and location of the screen to be mounted and mark. Measure the distance between the centers of the 2 mounting rings on the screen. Transfer the measurement to the wall and attach the wall brackets securely to the wall at those points.
- Maximum recommended fastener size is 5/16" diameter.
- Do not overtighten fasteners.
- Extension wall brackets are only to be used with screens weighing 75 pounds or less.
- Hang screen from the eye bolts with S-hooks.
- **Crimp both loops of S-hooks closed.**
- To provide proper tilt and eliminate keystone pull the screen down, then hook it back to the wall by attaching the bail handle to an accessory Tilt Lock, Da-Lite part No. 40965. Tilt Lock is sold separately.

No. 23 Extension Wall Brackets

- Screen can be extended 18¼", 20" or 24" from wall by selecting one of the two mounting positions shown above and wing nut and bolt adjustment.
- Extension arm holes should be lined up with desired holes in plastic bracket. Attach extension arms to wall brackets.

