

EVID High Performance Ceiling Speakers

EVID-PC6.2 and EVID-PC8.2

en | Installation Note



Table of contents

1	Safety	4
2	Welcome	5
2.1	Important features	5
3	System overview	6
3.1	Packing list	6
3.2	Product feature identification	7
3.3	Dimensions	7
3.4	Frequency response and impedance	8
3.5	Beamwidth	8
3.6	Directivity	8
3.7	Horizontal and vertical polar response	9
4	Installation	11
5	Technical data	14

1 Safety



Warning!

Suspending any object is potentially dangerous and should only be attempted by individuals who have a thorough knowledge of the techniques and regulations of suspending objects overhead. Electro-Voice strongly recommends all loudspeakers be suspended taking into account all current national, federal, state, and local laws and regulations. It is the responsibility of the installer to ensure all loudspeakers are safely installed in accordance with all such requirements. When loudspeakers are suspended, Electro-Voice strongly recommends the system be inspected at least once per year or as laws and regulations require. If any sign of weakness or damage is detected, remedial action should be taken immediately. The user is responsible for making sure the wall, ceiling, or structure is capable of supporting all objects suspended overhead. Any hardware used to suspend a loudspeaker not associated with Electro-Voice is the responsibility of others.



Caution!

The seismic tab (auxiliary support ring) is not intended for primary suspension of the loudspeaker. The seismic tab should only be used as a secondary safety point.

2 Welcome

Thank you for purchasing EVID Premium Ceiling Speakers. Read through this manual to familiarize yourself with the features, applications, and precautions before you use these products. EVID Premium Ceiling Speakers use innovative design and materials to provide high performance in a flush-mount ceiling format. Two (2) models comprise the EVID Premium Ceiling Speaker family: EVID PC6.2 and EVID PC8.2.

2.1 Important features

EVID PC6.2 – 6-inch Premium Ceiling Speaker

- High output true compression driver for wide dispersion and superior coverage control out to 10 kHz
- Long throw 6.5 inch (165 mm) woofer housed in a large vented steel enclosure for extended LF performance down to 50 Hz
- 200 watt power handling provides for 113 dB maximum SPL
- Front baffle transformer tap adjustment switch
- Includes tile rails and “C” mounting ring

EVID PC8.2 – 8-inch Premium Ceiling Speaker

- High output true compression driver for wide dispersion and superior coverage control out to 10 kHz
- Long throw 8-inch (200 mm) woofer housed in a large vented 14 gauge steel enclosure for extended LF performance down to 40 Hz
- 200 watt power handling provides for 114 dB maximum SPL
- Front baffle transformer tap adjustment switch
- Includes tile rails and “C” mounting ring

3 System overview

3.1 Packing list

Item	Quantity	Description
A	2	Speaker system
B	4	Tile rails
C	2	C-ring support
D	2	Grille
E	1	Manual
F	4	Support ring screws
G	2	Terminal connector
H	1	Cutout template
I	2	Paint shield

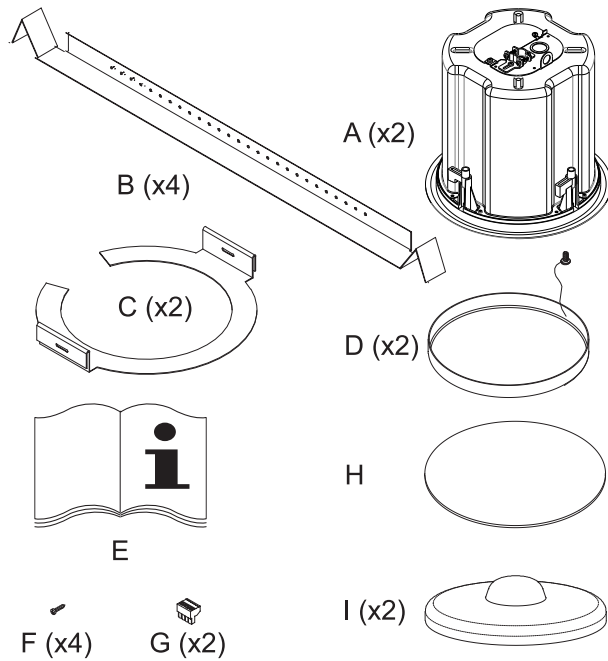


Figure 3.1: Components in kit

3.2 Product feature identification

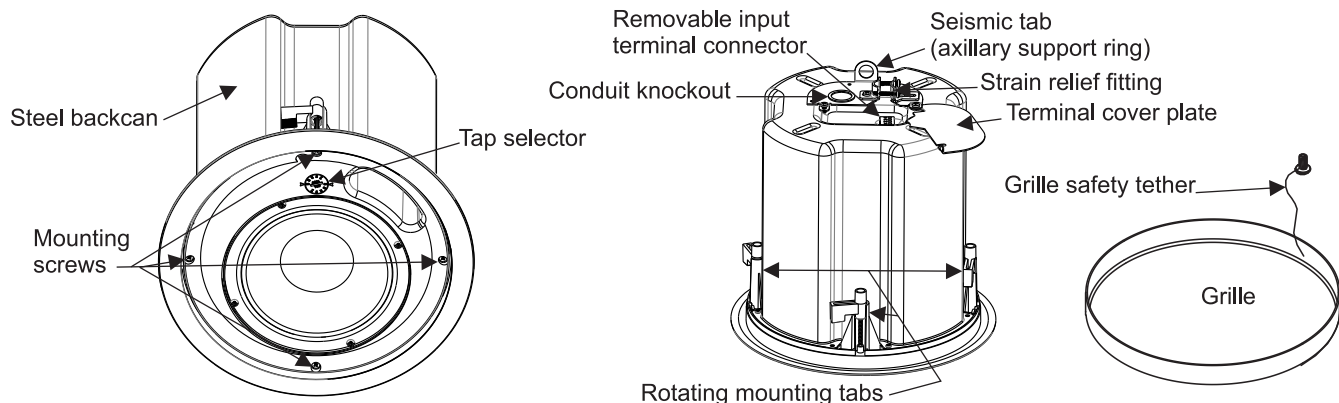
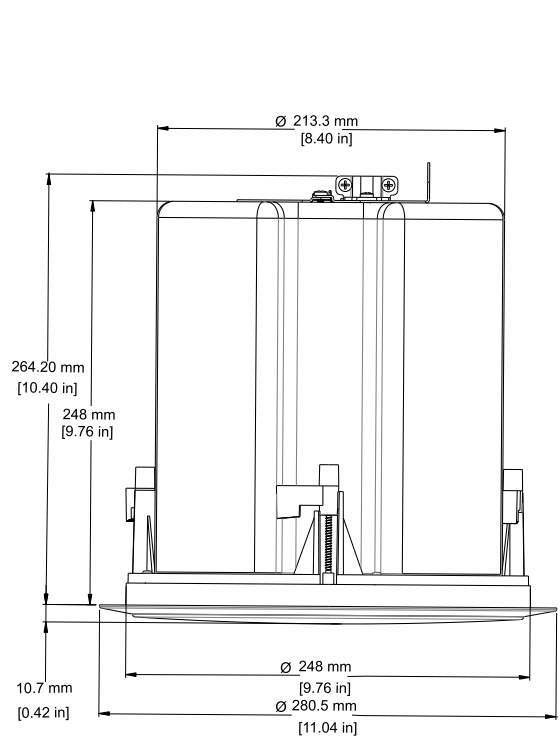
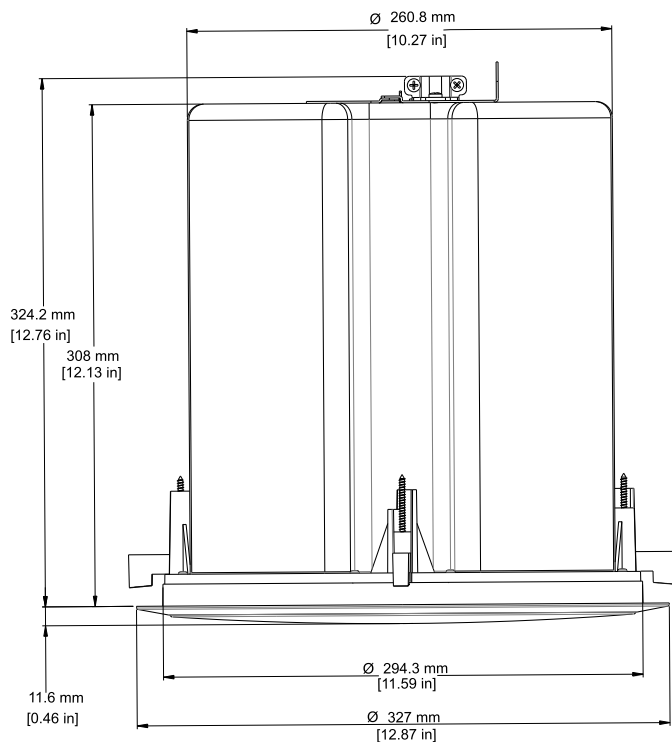


Figure 3.2: Bottom and top of the ceiling speaker

3.3 Dimensions

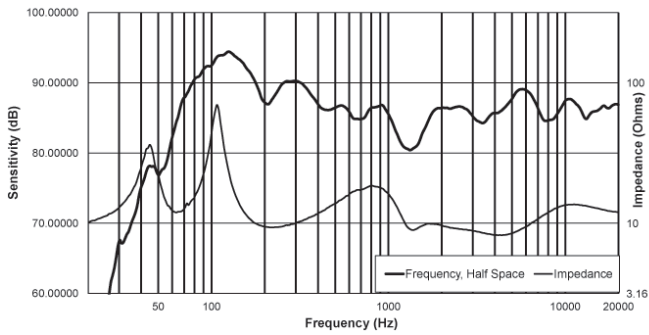


EVID PC6.2 Dimensions

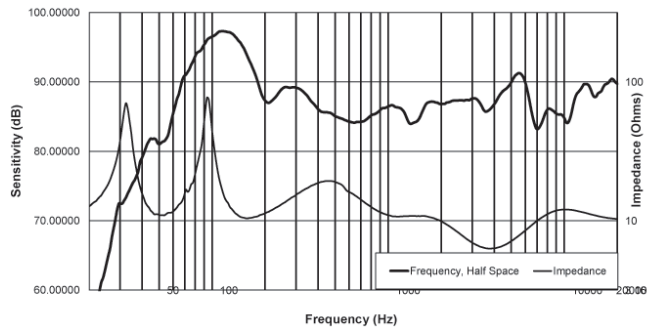


EVID PC8.2 Dimensions

3.4 Frequency response and impedance

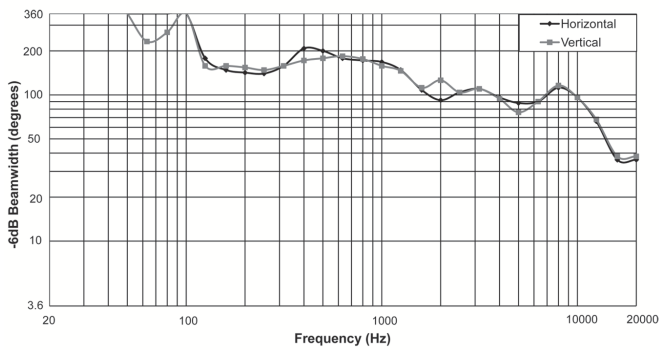


EVID PC6.2 Frequency Response and Impedance

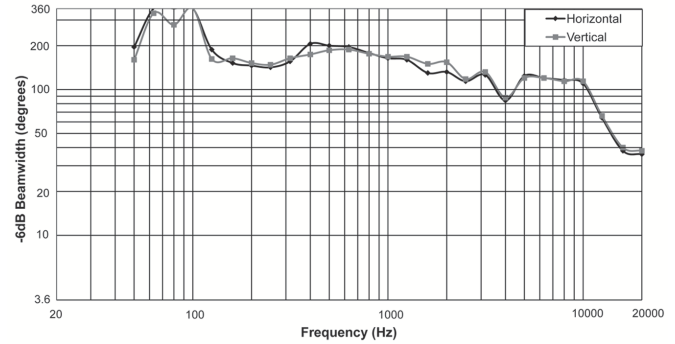


EVID PC8.2 Frequency Response and Impedance

3.5 Beamwidth

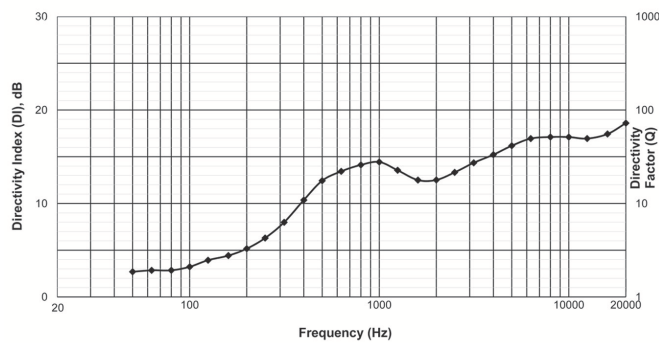


EVID PC6.2 Beamwidth

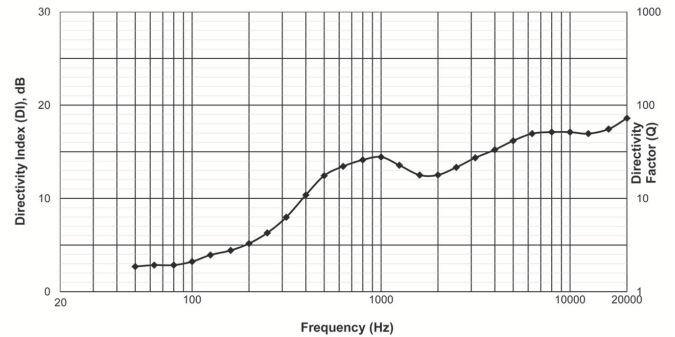


EVID PC8.2 Beamwidth

3.6 Directivity



EVID PC6.2 Directivity

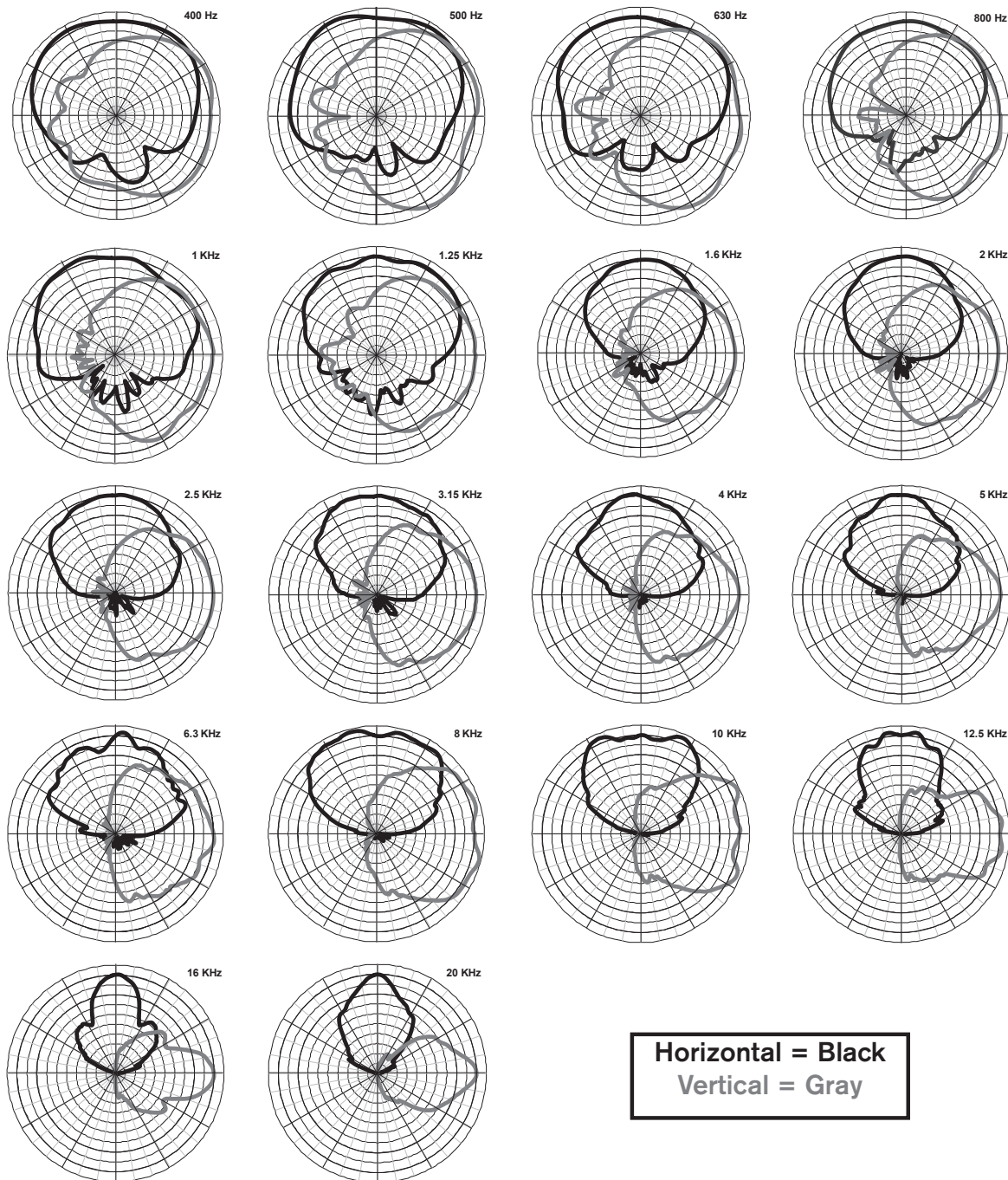


EVID PC8.2 Directivity

3.7

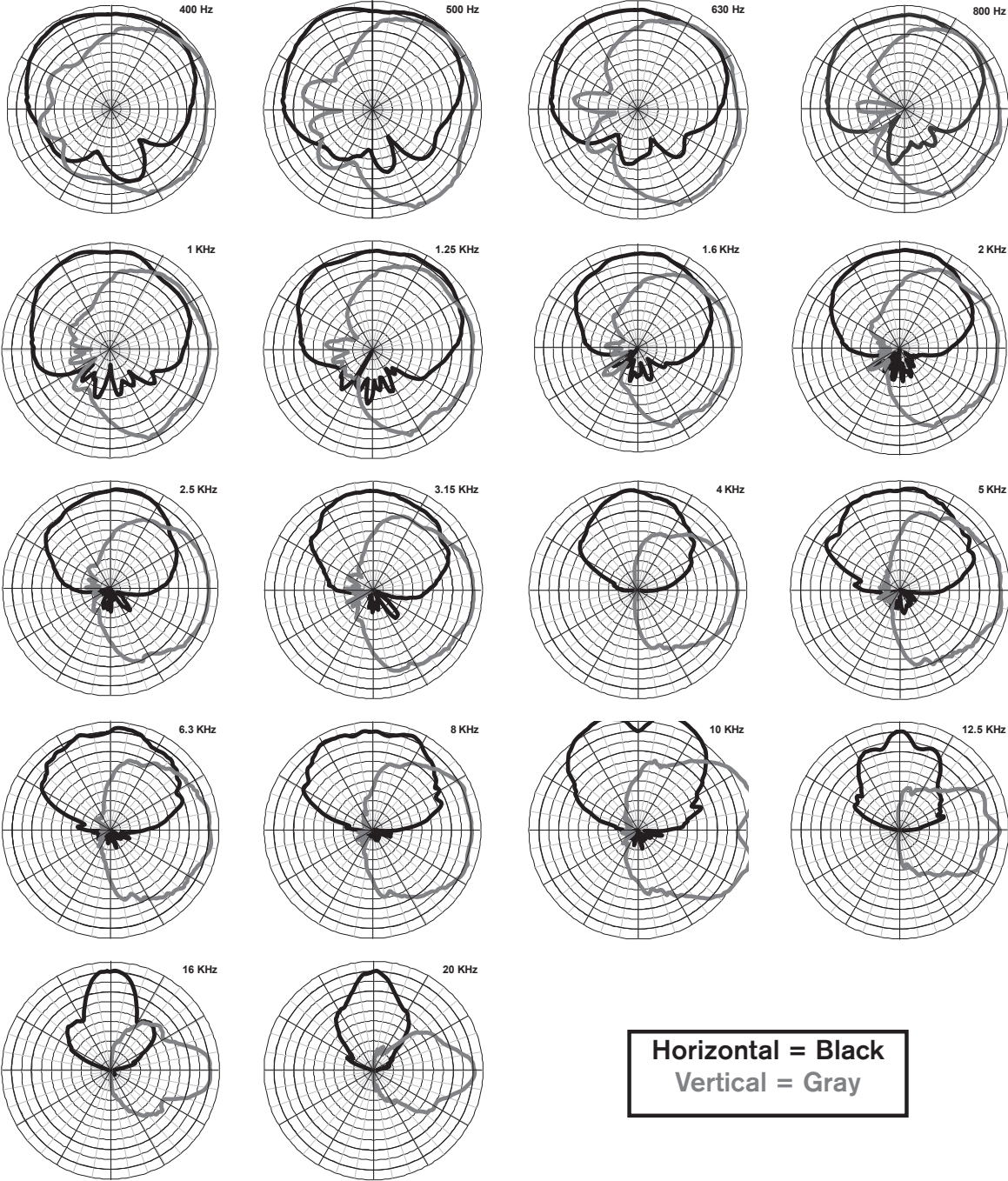
Horizontal and vertical polar response

EVID PC6.2 Polar Plots (1/3 Octave):



EVID High Performance Ceiling Speakers

EVID PC8.2 Polar Plots (1/3 Octave):



4 Installation

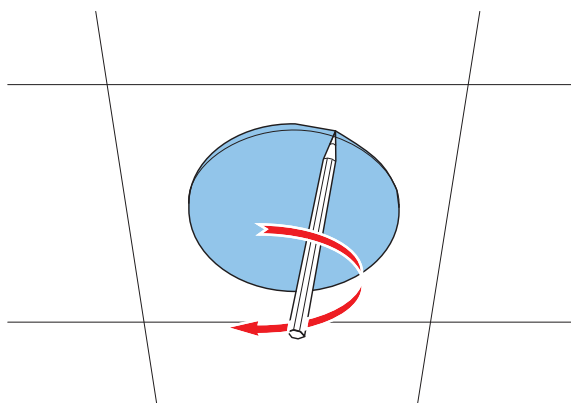


Figure 4.1: Trace cutout template

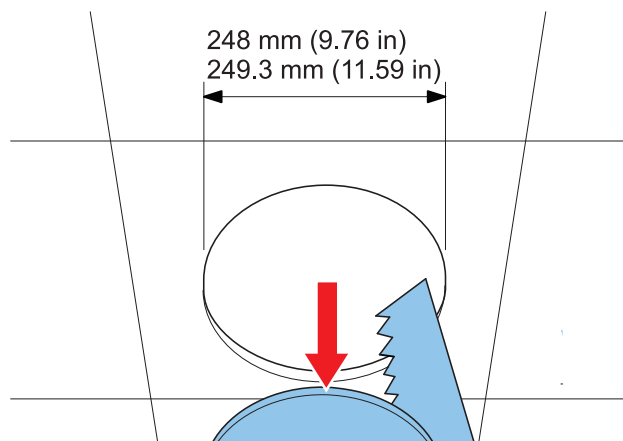


Figure 4.2: Cut hole

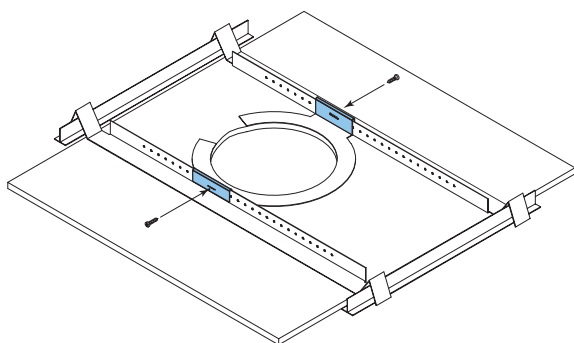


Figure 4.3: Secure rails to C-Ring

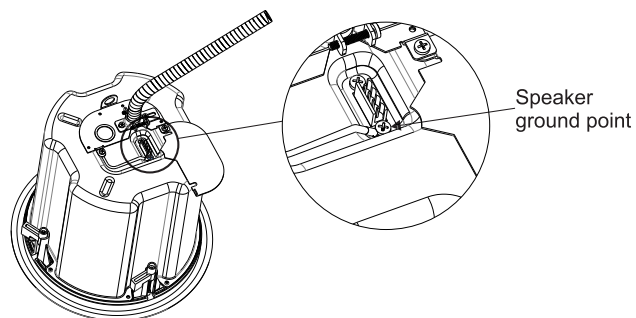


Figure 4.4: Wiring - ground point

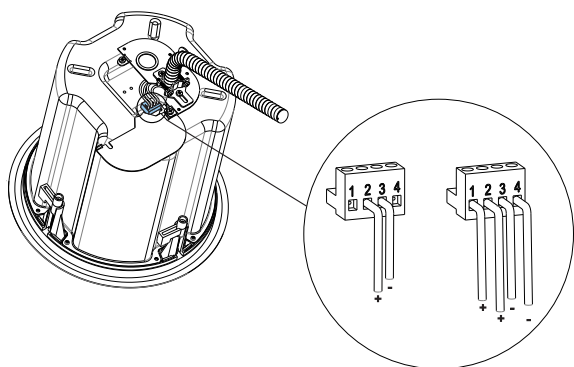


Figure 4.5: Wiring - flex conduit

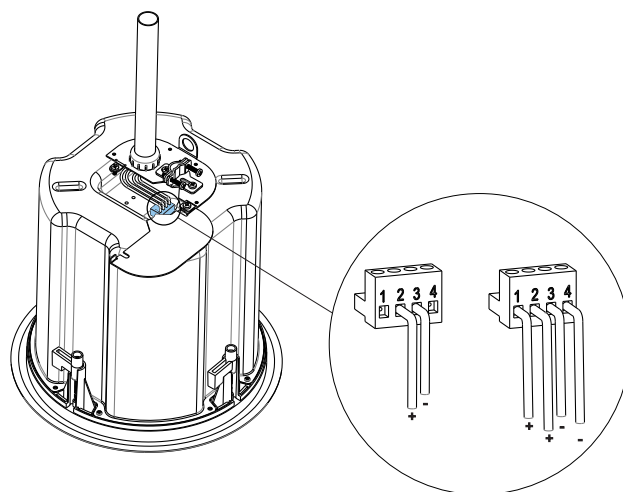


Figure 4.6: Wiring - solid conduit

EVID High Performance Ceiling Speakers



Caution!

The seismic tab (auxiliary support ring) is not intended for primary suspension of the loudspeaker. The seismic tab should only be used as a secondary safety point.

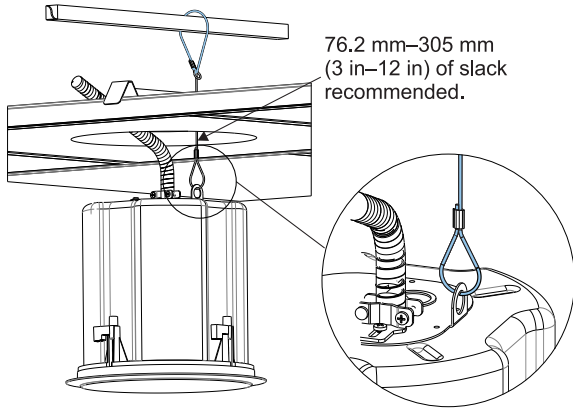


Figure 4.7: Attach auxiliary support line

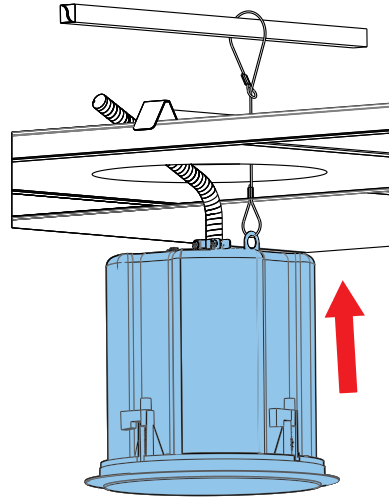


Figure 4.8: Install the speaker into the ceiling

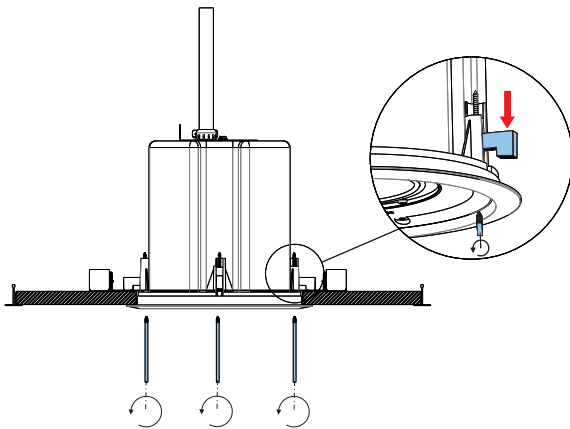


Figure 4.9: Tighten mounting tabs

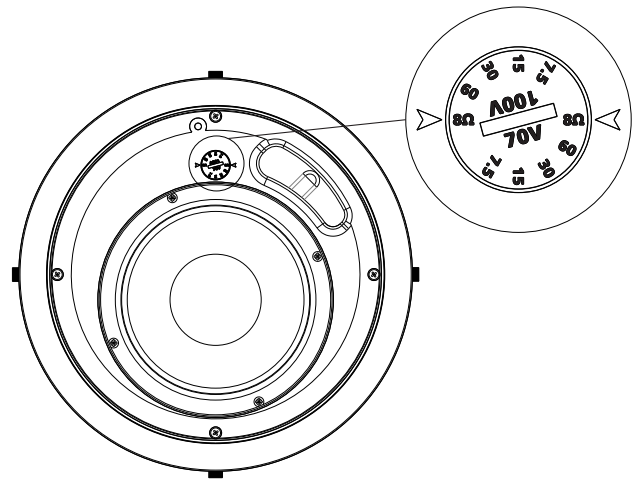


Figure 4.10: Tap selector

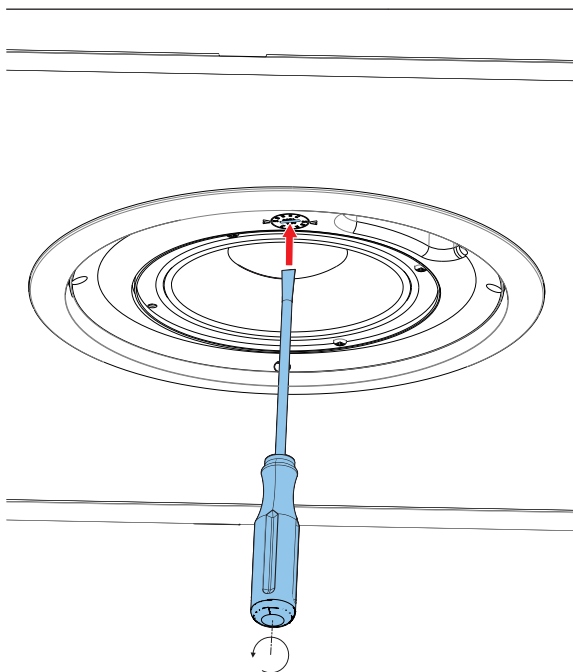


Figure 4.11: Adjust tap selector

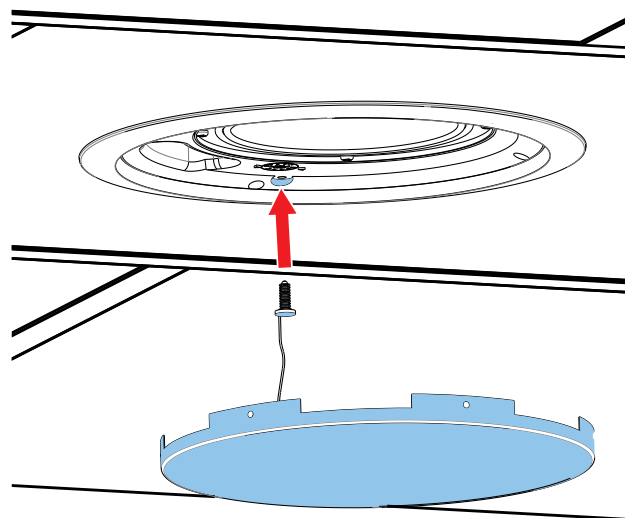


Figure 4.12: Insert grille tether

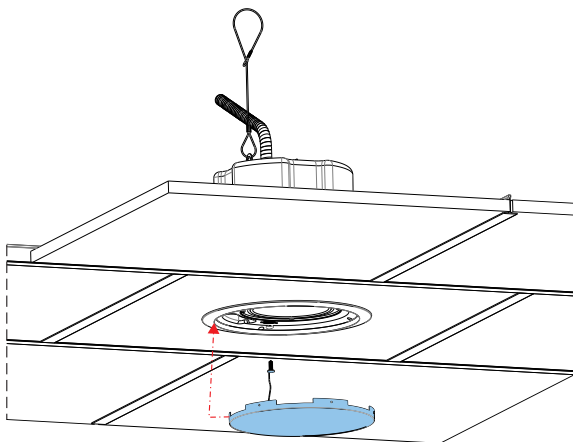


Figure 4.13: Attach the grille

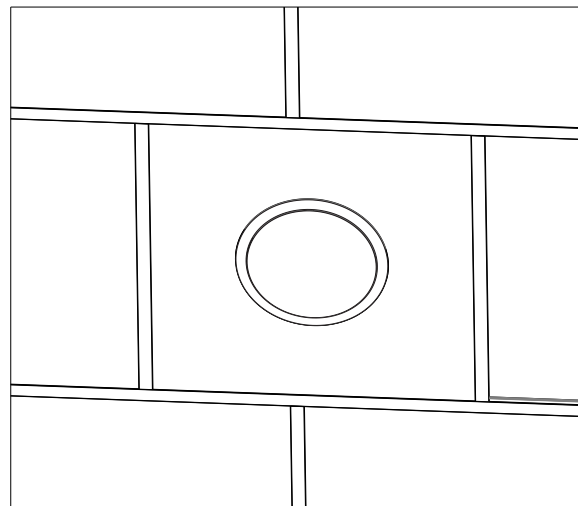


Figure 4.14: Installation complete

EVID High Performance Ceiling Speakers

5 Technical data

	EVID PC6.2	EVID PC8.2
Frequency Range (-10 dB):	50 Hz - 20 kHz	40 Hz - 20 kHz
Coverage (Conical):	100°	120°
Power Handling:	200 W Program, 100 W Pink Noise	
Sensitivity (SPL 1 W/1 m):	87 dB	88 dB
Max Calculated SPL:	107 dB Avg, 113 dB Peak Peak	108 dB Avg, 114 dB Peak Peak
Impedance:	10 ohms	
LF Transducer:	165 mm (6.5 in)	200 mm (8 in)
HF Transducer:	35 mm Compression Driver	
Transformer Taps:	70V: 60W, 30W, 15W, 7.5W, 8 ohm 100V: 60W, 30W, 15W, 8 ohm	
Connectors:	Removable locking 4-Pin (Phoenix) 2.5 mm (12 AWG) max wire size	
Enclosure:	ABS Plastic (UL94V-0) Baffle, steel back can	
Grille:	Color matched steel grille with fabric	
Dimensions (H x Dia):	260 mm x 280 mm (10.4 in x 11.0 in)	324 mm x 327 mm (12.76 in x 12.87 in)
Cutout Size:	248 mm (9.76 in)	294.3 mm (11.59 in)
Net Weight: (each)	7.0 kg (15.4 lb)	8.0 kg (17.6 lb)
Shipping Weight: (pair)	16.83 kg (37.1 lb)	20.23 kg (44.6 lb)
Support Hardware:	C Ring, Tile Bridge	
Approvals:	UL1480, 2043; CE	

NOTES:

Bosch Security Systems, Inc

12000 Portland Avenue South

Burnsville MN 55337

USA

www.electrovoice.com

© Bosch Security Systems, Inc, 2015
