

# EVID PC6.2



- High output true compression driver for wide dispersion and superior coverage control out to 10 kHz
- Long throw 6.5 inch (165 mm) woofer housed in a large vented steel enclosure for extended LF performance down to 50 Hz
- 200 watt power handling provides for 113 dB maximum SPL
- Front baffle transformer tap adjustment switch
- Includes tile rails and “C” mounting ring



The EVID PC6.2 speaker system from Electro-Voice is a complete high performance two-way ceiling speaker package. The EVID PC6.2 is ideal for background and foreground music, voice evacuation, paging, and sound reinforcement applications. All EVID Premium Ceiling Speaker models provide a unique combination of high acoustic output, superb coverage control, high power handling and wide dispersion, to cover virtually any size listening area. The EVID PC6.2 comes completely assembled with an integrated bezel assembly, grille, rear enclosure, 6.5-inch (165 mm) coaxial two-way speaker and internal high power line-matching transformer. The speaker features a waveguide coupled true compression HF driver and a long excursion 6.5-inch (165 mm) woofer. The EVID PC6.2 utilizes a transformer that offers a selection of 7.5 W (70-V only), 15, 30 or 60 watts delivered to the speaker system using either 70-V or 100-V lines, or 8 ohm bypass. Selection is via a convenient switch on the front baffle. The perforated grille is fully zinc plated and finished in semi-gloss white powder-coated enamel. The baffle and bezel are constructed from fire rated ABS. The rear enclosure is constructed from zinc-plated, heavy gauge steel. The rear enclosure, with fiberglass damping material, provides an optimum internal volume for extended low-frequency performance. A rear cover, with provisions for a junction box fitting, provides access to a 4-pin terminal block that allows direct connection to the speaker with up to 2.5 mm (12 AWG) wire and provides pass through to additional speakers. Two (2) adjustable metal tile bridges and metal “C” ring are included for

safe suspension of the EVID PC6.2 ceiling systems in a drop ceiling that uses mineral wool, or other fiber-based ceiling tiles. The wide range of EVID ceiling speakers has been designed to work together as a complete system in a variety of different ceiling constructions.

## Technical specifications

Frequency Range (-10 dB):	50 Hz - 20 kHz
Coverage (Conical):	100°
Power Handling:	200 W Program, 100 W Pink Noise
Sensitivity (SPL 1 W/1 m):	87 dB
Max Calculated SPL:	107 dB Avg, 113 dB Peak
Impedance:	10 ohms
LF Transducer:	165 mm (6.5 in)
HF Transducer:	35 mm Compression Driver
Transformer Taps:	70V: 60W, 30W, 15W, 7.5W, 8 ohm 100V: 60W, 30W, 15W, 8 ohm
Connectors:	Removable locking 4-Pin (Phoenix) 2.5 mm (12 AWG) max wire size
Enclosure:	ABS Plastic (UL94V-0) Baffle, steel back can
Grille:	Color matched steel grille with fabric
Dimensions (H x Dia):	260 mm x 280 mm

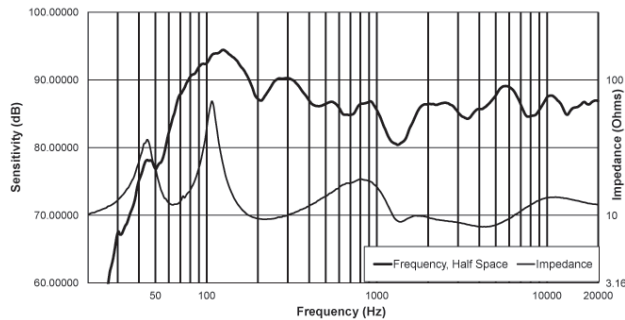
Cutout Size:	248 mm (9.76 in)
Net Weight:	7.0 kg (15.4 lb)
Shipping Weight:	16.83 kg (37.1 lb)
Support Hardware:	C Ring, Tile Bridge
Approvals:	UL1480, 2043; CE

## System overview

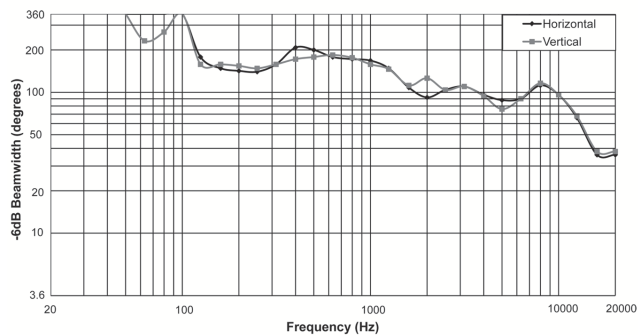
### Architects' & Engineers' Specifications:

The EVID PC6.2 speaker system shall be comprised of a UL 94V-0 fire rated ABS baffle/bezel assembly, zinc plated steel rear enclosure, powder coated grille with safety tether, transformer with 8 ohm bypass, and 6.5-inch long excursion low frequency transducer with coaxially-mounted true compression HF driver. The speaker shall meet the following criteria: power rating shall be 100 watts of IEC 268-5 pink noise (6 dB crest factor). Frequency response, uniform from 50 Hz - 20 kHz. Pressure sensitivity, 87 dB SPL at 1 meter (3.3 feet) on axis with 1 watt of pink noise (ref. 20 $\mu$ Pa). Minimum impedance, 6.5 ohms. The speaker shall be 260 mm (10.4 in) deep and 280 mm (11.0 in) in diameter. Weight shall be 7.0 kg (15.4 lb). The coaxial ceiling speaker shall be the model EVID PC6.2 from Electro-Voice.

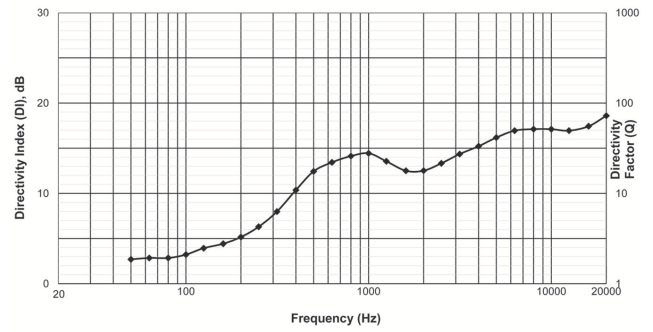
### Frequency Response and Impedance:



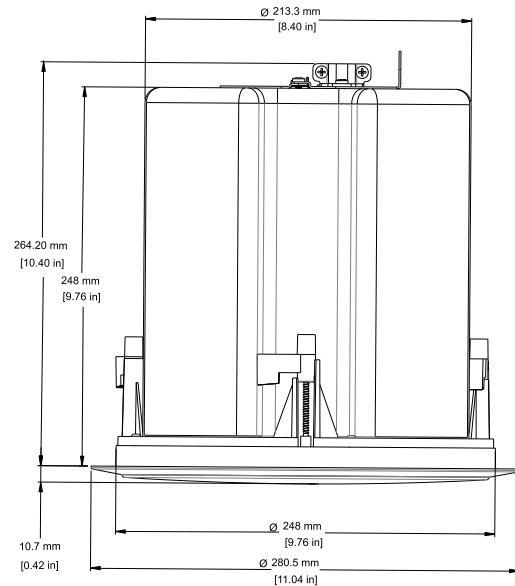
### Beamwidth:



### Directivity:



### Dimensions:



## Ordering information

### EVID PC6.2

Ultra high performance 6-inch two-way ceiling mount loudspeaker system with concentric compression driver and integrated housing and mounting system (set of 2 pieces); white  
Order number **EVID-PC6.2**

**Represented by:**

---

**Germany:**

Bosch Sicherheitssysteme GmbH  
Robert-Bosch-Ring 5  
85630 Grasbrunn  
Germany

Bosch Security Systems, Inc.  
12000 Portland Avenue South  
Burnsville MN 55337  
USA

[www.electrovoice.com](http://www.electrovoice.com)