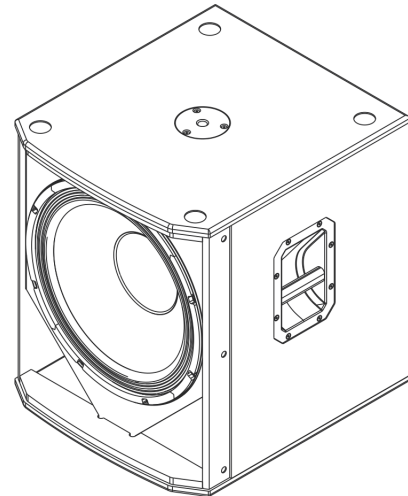




ELX200-18SP 18" Powered Subwoofer

- EV Quick**Smart** Mobile application: quickly and wirelessly configure, control and monitor up to six ELX200 loudspeakers simultaneously, and receive immediate notification during critical performance conditions. *Bluetooth® is available in select countries.*
- Quick**Smart**DSP features best-in-class processing. Easy setup via three presets, sub/top system-match, five user-programmable presets, visual monitoring of limiter status, input level control and meters, and master volume control to optimize gain structure, all via LCD.
- High-efficiency 1200 W Class-D power amplifier delivers up to 132 dB peak SPL utilizing ultra-efficient, high-sensitivity transducer designed and engineered by EV.
- Ideal for portable and installed applications. Professional-grade hardware: integrated M20 threaded pole mount plate and two-handle design for easy lifting.



ELX200-18SP features high-efficiency Class-D power amplifiers (up to 1200 W) with integrated Quick**Smart**DSP, and delivers up to 132 dB SPL utilizing transducers designed and engineered by EV (18-inch EVS-18L woofer). Powered subwoofer models allow easy setup via three presets (Music, Live, Club), sub/top system-match crossovers, three-band EQ, five user-programmable presets (Store and Recall settings), visual monitoring of limiter status, input level control and meters, and master volume control to ensure optimal gain structure. ELX200 powered models are ideal for portable and installed applications, with lightweight and compact 15-mm wood enclosures, integrated M20 threaded pole mount plate, and two-handle design for easy lifting. The new Quick**Smart** Mobile wireless control and monitoring application, using Bluetooth® Low Energy (BTLE) technology, allows intuitive system control, configuration and monitoring of up to six powered ELX200 loudspeakers simultaneously. Receive alerts

when your system is being overdriven, and control your system while *in front* of your speakers, not behind. *Bluetooth® is available in select countries.*

Technical specifications

Frequency response (-3 dB) ¹ :	47 Hz - 105 Hz
Frequency range (-10 dB) ¹ :	40 Hz - 145 Hz
Maximum SPL ² :	132 dB
Power rating:	1200 W
LF transducer:	EVS-18L 457 mm (18 in)
Low-Pass frequency:	Adjustable: 80 Hz, 100 Hz, 120 Hz, 150 Hz
Connectors:	(2) XLR/TRS combo jacks and (2) XLR link outputs
Enclosure:	15 mm plywood with EVCoat

2 | ELX200-18SP 18" Powered Subwoofer

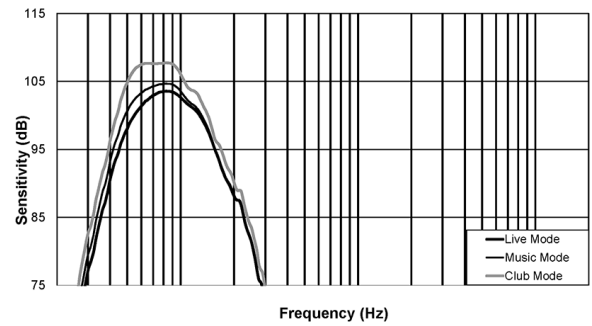
Grille:	18 AWG steel with powdercoat
Color:	Black or white
Dimensions (H x W x D):	600 mm x 507 mm x 574 mm (23.7 in x 20.0 in x 22.6 in)
Net weight:	29.0 kg (64 lb)
Shipping weight:	33.1 kg (73.0 lb)
Power consumption ³ :	100 - 240 V~, 50 - 60 Hz, 1.8 A

¹Full-space measurement using music DSP preset.

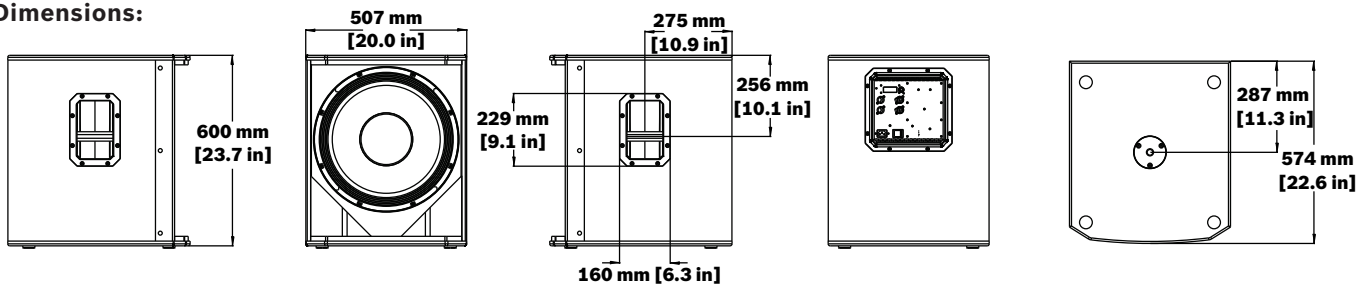
²Maximum SPL is measured at 1 m using broadband pink noise at maximum output.

³Current rating is 1/8 power.

Frequency response:



Dimensions:



System overview

Subwoofer amplifier panel:



4. **POWER** - AC switch for switching the power ON or OFF. The LCD screen lights up when the power is turned ON, after approximately 3 seconds.
5. **MAINS IN** - AC connection is established via an IEC-connector.
6. **OUTPUT** - XLR output sends the input signal to another loudspeaker or subwoofer. INPUT 1 is linked to OUTPUT 1 and INPUT 2 is linked to OUTPUT 2. The MASTER VOL or DSP control settings do not affect OUTPUT.

For more information, see ELX200 Powered Loudspeakers Installation manual (F.01U.326.891).

1. **LCD** - DSP control and monitoring interface.
2. **MASTER VOL** - Adjusts the sound level.
DSP - Scroll through the menu and select the available choices. Push the MASTER VOL knob to enter the DSP menu.
3. **INPUT** - Balanced input for the connection of signal sources like mixing consoles, instruments, or microphones. Connections can be established using 1/4 inch TRS or XLR connectors.

Ordering information

ELX200-18SP-US 18" powered subwoofer, US cord

Powered 18-inch subwoofer US cord, black

Order number **ELX200-18SP-US**

ELX200-18SP-EU 18" powered subwoofer, EU cord

Powered 18-inch subwoofer EU cord, black

Order number **ELX200-18SP-EU**

ELX200-18SP-AP 18" powered subwoofer, AP

Powered 18-inch subwoofer Asia-Pacific regions, black

Order number **ELX200-18SP-AP**

ELX200-18SP-GL 18" powered subwoofer, Global, No BT

Powered 18-inch subwoofer two cords, No Bluetooth®, black

Order number **ELX200-18SP-GL**

ELX200-18SP-W 18" powered subwoofer, white

18" powered subwoofer, white

Order number **ELX200-18SP-W**

Accessories

ELX200-18S-CVR Padded cover for ELX200-18S, 18SP

Padded cover for ELX200-18S/18SP, black

Order number **ELX200-18S-CVR**

Represented by:

Germany:

Bosch Sicherheitssysteme GmbH
Robert-Bosch-Ring 5
85630 Grasbrunn
Germany

Bosch Security Systems, Inc.
12000 Portland Avenue South
Burnsville MN 55337
USA

www.electrovoice.com