


BOSCH

Invented for life

LHM 0606/00-US Ceiling Loudspeaker



The LHM 0606/00-US is a general-purpose, 6 W, cost-effective ceiling loudspeaker. It is screw mounted into the ceiling. An optional fire dome is available.

Functions

An economic flush mounting ceiling loudspeaker is available for general-purpose applications. This full range loudspeaker is suitable for both speech and music reproduction in shops, department stores, schools, offices, sports halls, hotels and restaurants.

The speaker assembly consists of a single-piece, 6W dual cone loudspeaker and frame, with a 70-volt matching transformer mounted on the back. A circular metal grille is an integrated part of the front. The appearance and neutral white color have been selected to be unobtrusive in virtually all interiors.

Certifications and Approvals

All Bosch loudspeakers are designed to withstand operating at their rated power for 100 continuous hours in accordance with IEC 268-5 Power Handling Capacity (PHC) standards. Bosch has also developed the Simulated Acoustical Feedback Exposure (SAFE) test to demonstrate that they can withstand two times their rated power for

- ▶ Suitable for speech and music reproduction
- ▶ Flush mounting in ceiling cavity
- ▶ Easy to install
- ▶ Simple power setting
- ▶ Unobtrusive in virtually all interiors
- ▶ Complies with international installation and safety regulations

short durations. This ensures improved reliability under extreme conditions, leading to higher customer satisfaction, longer operating life, and lessens the chance of failure or performance deterioration.

Safety

according to EN 60065

Installation/Configuration Notes

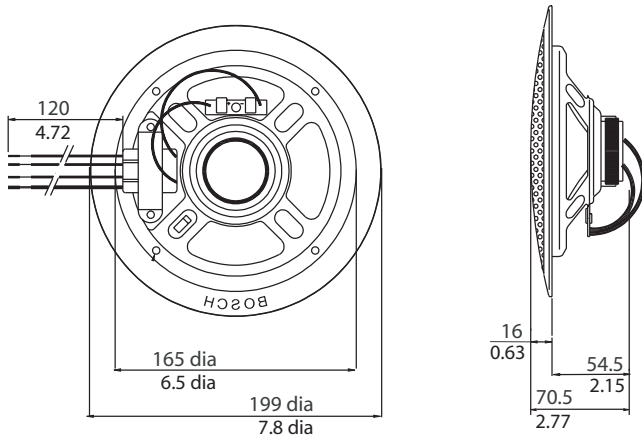
Mounting

The assembly is simply and quickly installed into a hole in the ceiling cavity and secured with the three white screws (supplied). A circular template for marking a 165 mm (6.5 in) diameter hole is included with the loudspeaker.

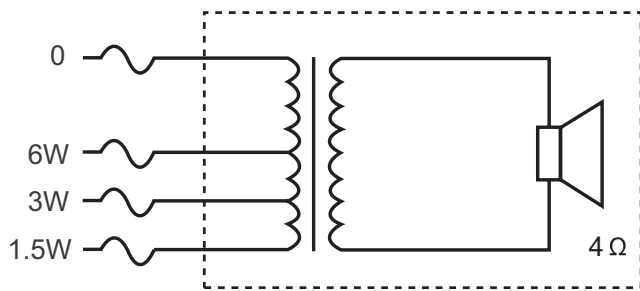
Three wires on the matching transformer (primary) provide for selection of nominal full-power, half-power or quarter-power radiation.

Fire dome

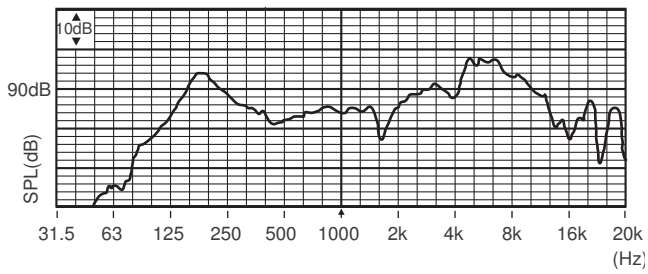
During a fire, the ceiling cavity in which loudspeakers are installed can allow flames to spread throughout the building. To prevent fire entering the cavity via the loudspeaker, the ceiling loudspeaker can be fitted with a protective steel fire dome (LBC 3080/01). This optional fire dome is mounted on the loudspeaker assembly using four self-tapping screws, supplied as standard. There are four knockout holes; two (2) for rubber grommets (supplied) and two (2) for cable glands (PG13).



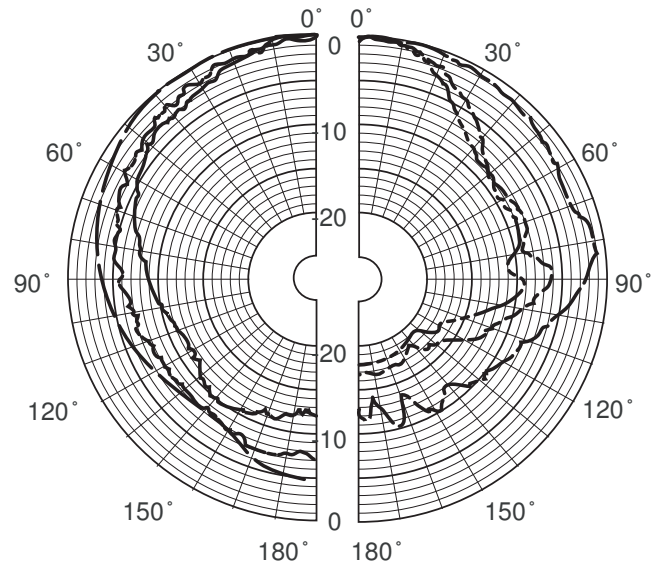
Dimensions in mm / in



Circuit diagram



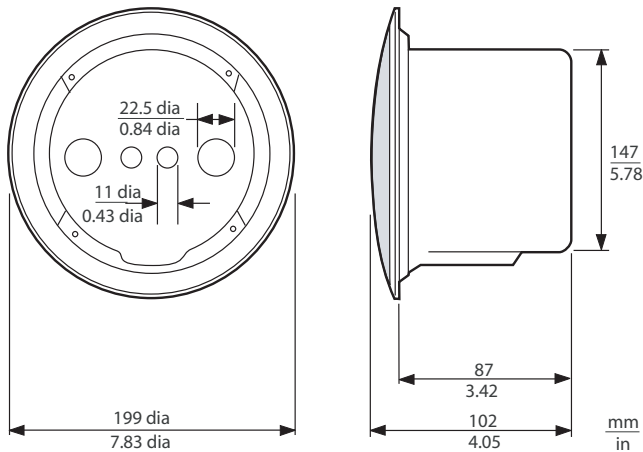
Frequency response



Polar diagram (measured with pink noise)

LBC 3080/01 Fire Dome (optional)





LHM 0606/00-US + LBC 3080/01 fire dome assembly
dimensions

Technical Specifications

Electrical

Maximum power	9 W
Rated power	6 / 3 / 1.5 W
Sound pressure level at 6 W / 1 W (1 kHz, 1 m)	94 dB / 86 dB (SPL)
Effective frequency range (-10 dB)	80 Hz to 18 kHz
Opening angle at 1 kHz/4 kHz (-6 dB)	175° / 55°
Rated voltage	70 V
Rated impedance	835 ohm
Connector	Flying leads

Mechanical

Diameter	199 mm (7.8 in)
Maximum depth	70.5 mm (2.8 in)
Mounting cut-out	165 + 5 mm (6.5 + 0.20 in)
Speaker diameter	152.4 mm (6 in)
Weight	620 g (1.37 lb)
Color	White (RAL 9010)

Environmental

Operating temperature	-25 °C to +55 °C (-13 °F to +131 °F)
Storage temperature	-40 °C to +70 °C (-40 °F to +158 °F)
Relative humidity	<95%

Ordering Information

LHM 0606/00-US Ceiling Loudspeaker
6 W, ceiling loudspeaker

LHM 0606/00-US

Americas:

Bosch Communications Systems
12000 Portland Avenue South
Burnsville, Minnesota, 55337, USA
Phone: +1-800-392-3497
Fax: +1-800-955-6831
audiosupport@us.bosch.com
www.boschcommunications.us

Europe, Middle East, Africa:

Bosch Security Systems B.V.
P.O. Box 80002
5600 JB Eindhoven, The Netherlands
Phone: +31 40 2577 284
Fax: +31 40 2577 330
emea.securitysystems@bosch.com
www.boschsecurity.com

Asia-Pacific:

Bosch Security Systems Pte Ltd
38C Jalan Pemimpin
Singapore 577180
Phone: +65 6319 3450
Fax: +65 6319 3499
apr.securitysystems@bosch.com
www.boschsecurity.com

Represented by