



NR9782

H.265 3U 128-CH NVR



H.265 • VAST Inside • 128 Channel • 16 x HDD • ONVIF •
Dual LAN • Fisheye Dewarp • RAID • Redundant Power

VIVOTEK's NR9782 is a full-featured high-performance H.265 NVR. Equipped with a 3U 128-CH 16 Bay Rackmount network appliance, standard RAID capability and H.265 video codec, the total storage capacity of the NVR also endows the NR9782 with scalability and flexibility, making it perfect for large-scale transport or industrial applications as well as public spaces such as campuses.

The NR9782's 16 hard-drive bay design provides for a storage capacity of up to 160TBs, offering greater than 30% ~ 50% more recording capacity than systems employing H.264 compression. This advance affords users larger storage space for longer durations of video recording. The RAID 0/1/5/6/10 configuration provides further data security in the rare event of a hard drive failure. Further, equipping the NR9782 with a DOM system has resulted in reliability and stability beyond the reach of other

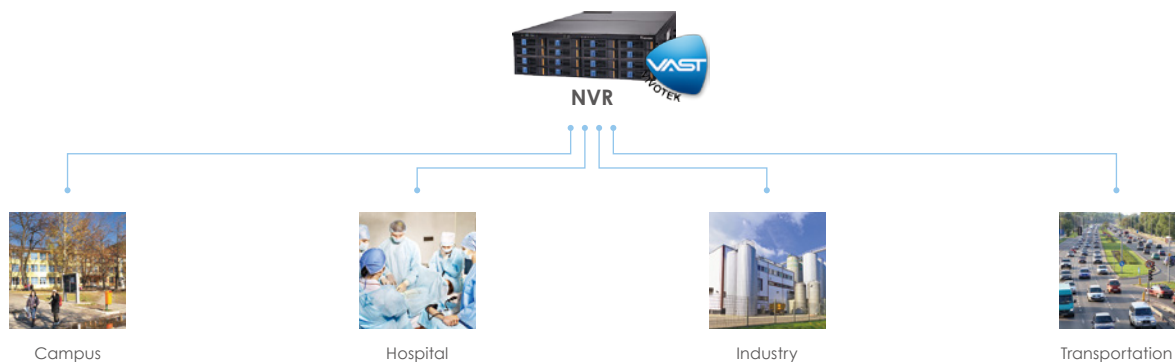
NVRs. Meanwhile, the NR9782 supports VIVOTEK's fisheye network camera "Fisheye Dewarp" function, which provides multiple de-warping modes in live view and playback, ensuring the correct angle of video view and detailed information for flexible usage. This ingenious NVR is also equipped to carry out remote management with a full range of the server/client structures and thus constitutes a robust system for diverse applications.

Moreover, the NR9782 features well-built ONVIF compliance and scalable configuration, with VAST CMS empowering users to set up and manage advanced IP surveillance systems with ease. The NR9782 also supports both remote and mobile access via iViewer app, for both iOS and Android handheld devices. The NR9782 represents a great advance in the field, providing users an open, intelligent and seamless NVR to meet market demands.

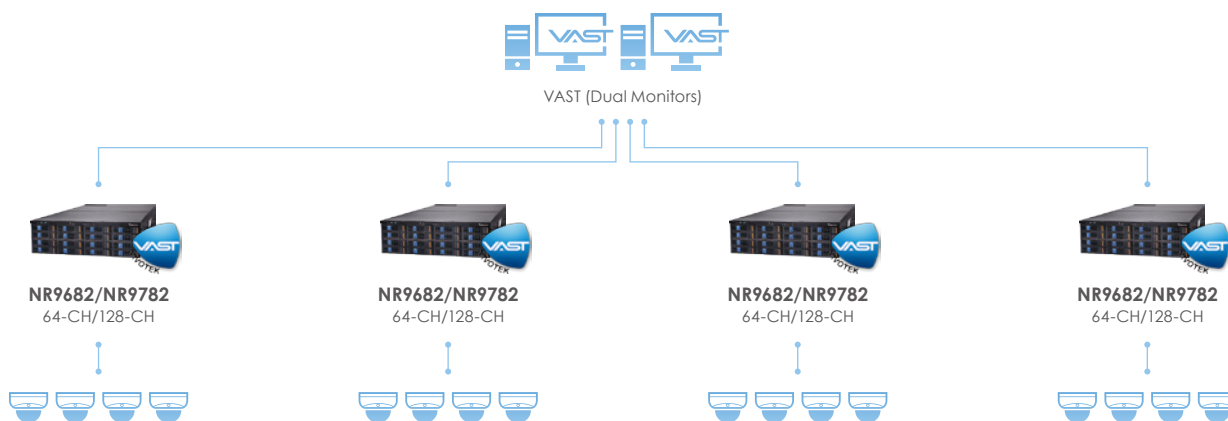
Key Features

- H.265/H.264 Compression Technology
- 128-CH Recording, 64 Display
- Support HDMI, Display Port & DVI Simultaneous Output
- 16 Hot-Swappable HDD Bays
- Support RAID 0/1/5/6/10 Storage
- Redundant Power
- VIVOTEK VAST Inside (LiveClient/Playback)
- Dual Lan Giga Network Ports
- ONVIF Open Platform (Project Support Function)
- VIVOTEK Camera Configuration and VAST CMS Integrated
- Multiple Fisheye Dewarp Support
- Multiple Video Search Modes

Vertical Application



System Structure



Technical Specifications

Hardware Information	
Model	NR9782
System	
OS	Embedded Windows
CPU	Intel Core i7
Flash	128GB mSATA
RAM	8GB
Watchdog	Hardware + Software
Power Restoration	System Restart Automatically after Power Recovery
Storage	
HDD Devices	Hot-Swappable tray x16
HDD Max. Capacity	10TB x 16
Disk Management	Create, Format and Remove Disk RAID 0, 1, 5, 6, 10
Video & Audio	
Video Output	HDMI x1, Display Port x1, DVI x1
Resolution	HDMI: 1920x1080 DVI: 1920x1080 DP: 4096x2304
Graphics Decoder	Software decoding
Decoding Capacity	H.265/H.264: 1920x1080 @ 270 fps (4Mbps)
Camera Position	Change the view cell position on the Live View screens
External Interface	
USB Interface	Front: USB 3.0 x2 Back: USB 3.0 x6, USB2.0 x2
Audio	Microphone audio jack Input x1 3.5 Line output audio jack x1
Network	
Network Interface	10/100/1000Mbps Ethernet (RJ-45) x2
Protocols	IPv4, TCP/IP, HTTP, HTTPS, UPnP, RTSP/RTP/RTCP, SMTP, FTP, DHCP, NTP, DNS, DDNS, IP Filter
Power	
Power Input	Redundant power 100~220V AC
Power Consumption	Max. 550 W

Technical Specifications

80 Plus Certified	Silver
LED Indicator	
LED Indicator	LAN1, LAN2, HDD, Power, Information
Mechanic	
Form Factor	3U Rackmount
Operation Buttons	Power, Reset
Dimensions	132 (H) x 435 (W) x 540 (D) mm
Weight	33 kg (without HDD)
Operating Temperature	5°C ~ 35°C (41°F ~ 95°F)
Humidity	0 ~ 95%

General

Safety Certifications	CE, LVD, FCC, VCCI, C-Tick
Warranty	36 months

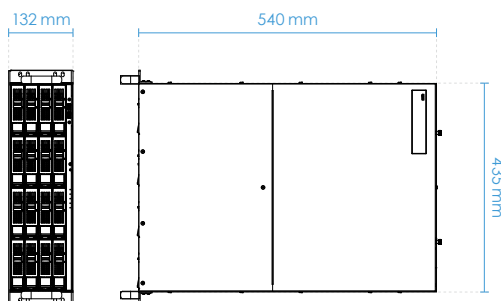
Client PC Requirements

Operating System	Microsoft Windows 10, 8, 7, Vista, XP Microsoft Windows Server 2012, 2008, 2003, 2000
CPU	Intel Celeron or above
Memory	2GB or above
Ethernet	10/100Mbps
Display Resolution	1024x768 pixels or above
Web Browser	Internet Explorer 11/10/9 (32 bit)
Software AP	Shepherd, VAST
Mobile/Tablet App	iViewer (iOS/Android)

Accessories

Others	Power Cord, Quick Installation Guide, 16x H.D.D. Tray, 1x USB Mouse
--------	---

Dimensions



Software Information

Record

Maximum Channel	128
Record Throughput (MB)	512 Mbps

Network Throughput (MB)	400 Mbps
Audio Format	G.711, G.726, AMR, AAC
Video Format	MJPEG, MPEG4, H.264 AVC, H.264 SVC, H.265
Recording Time (sec.)	Pre-Record: 3-15, Post-Record: 10-60
Recording Stream	Single/Multiple
Recording Mode	Continuous, Schedule, Manual, Event, Activity Adaptive Streaming
Recording Setting	Recycle (unit: Size or Day)
Recording Path	Local Path or Network Path
Recording File Format	3GP

LiveView (Local Display)

Stream Application	Stream Selection & Auto Stream Size
LiveView Display	128 Channels (with Dual Monitors) Multi-Layout Display: 1x1, 2x2, 1+5, 3x3, 1+12, 4x4, 5x5, 1+31, 8x8, 1P+2, 1P+6, 1P+8, 2V, 3V, 4V, 2V+3 Single Layout Display, Full Screen Display, Sequential Display
Monitor Enhancement	Drag & Drop, Remote I/O Control, PiP (Digital Zoom), Instant Replay, De-interlace, Video Display Mode (Aspect Ratio, Hide Borders, Keep Top/Down Borders), Fisheye Dewarp (Regular: 1O, 1P, 1R, 1O3R, 4R; Wall Mount: 1P2R, 1P3R; Ceiling/Floor Mount: 2P, 4R Pro, 1O8R), Video Enhancement (Basic Mode: Brightness, Contrast, Saturation, Hue; Intelligent Mode: Defog, Rain, Snow, Fire / Smoke)
PTZ/ePTZ Control	Panel Control & Mouse Click Control
PTZ/ePTZ Operation	Direction Control, Home, Zoom, Focus, Iris, Preset, Patrol (Group), Pan, Stop, Speed

Playback (Local Display)

Playback Display	16 Channels Multi Layout Display: 1x1, 2x2, 1+5, 3x3, 1+12, 4x4, 2V, 3V, 4V, 2V+3 Single Layout Display, Full Screen Display, Sequential Display
Playback Control	Play, Rewind, Pause, Stop, Next/Previous Video Start, Next/Previous Frame, 1/8X ~ 64X Speed Control, Bookmark
Video Search	Browsing, Date & Time (Fast), Event, Bookmark, Alarm, Log, Timeline, Timeline Scale
Monitor Enhancement	Drag & Drop, Remote I/O Control, PiP (Digital Zoom), Instant Replay, De-interlace, Video Display Mode (Aspect Ratio, Hide Borders, Keep Top/Down Borders), Fisheye Dewarp (Regular: 1O, 1P, 1R, 1O3R, 4R; Wall Mount: 1P2R, 1P3R; Ceiling/Floor Mount: 2P, 4R Pro, 1O8R), Video Enhancement (Basic Mode: Brightness, Contrast, Saturation, Hue; Intelligent Mode: Defog, Rain, Snow, Fire / Smoke)
Snapshot	BMP & JPEG
Export File	AVI, 3GP & EXE

LiveView (Remote)

Technical Specifications

LiveView Display	32 Channels Multi-Layout Display: 1x1, 2x2, 3x3, 4x4, 5x5, 1+5, 1+12, 1+31
Monitor Enhancement	Drag & drop
PTZ/ePTZ Control	Panel Control
PTZ/ePTZ Operation	Direction Control, Home, Zoom, Preset

Playback (Remote)

Playback Display	1 Channel Multi-Layout Display: 1x1
Playback Control	Regular (Play, Pause, Stop), Speed Control, Timeline, Timeline Scale
Monitor Enhancement	Drag & drop
Snapshot	JPEG

Alarm Management

Alarm Period (sec.)	Max. 30
Alarm Filter	Name, Time, Source, Event Type, State
Alarm Setting	LiveView Alarm Notification: Fixed & Popup, Alert Sound
Schedule Type	Continuous, Schedule, Manual
Camera Event	Motion, DI/O, video lost/restore, PIR, tampering, temperature, IR, PPTZ, line crossing detection, loitering detection, field detection, audio detection, SD card life expectancy detection, shock detection, ONVIF motion event, ONVIF DI/O, ONVIF video lost/restore
Camera Status	Connection Status, Recording Status, Recording Error
Substation	Substation Connection Status, Substation DI/DO Trigger* *(ND series NVR)
Storage Status	Storage Connection Status, Storage Capacity Status
Station Status	License Status, Network Status, Virtual Memory Status
External Devices Event	DI/O (With I/O box)
Action	Email, Start Recording, Move to Preset Location, Set DO, GSM Short Message, HTTP & Client Notification
Alarm State for Management	New, Assigned, In Progress, Resolved, Closed, Later, Reject, Ignore
Alarm Result Export	.csv file

eMap

Source	Import picture
Device	Camera, external DI/O, substation camera, substation DI/O* *(ND series NVR)
Marked	Add, remove, direction control, PTZ control & indicator LiveView
Event Notification	Event Icon Light Flash, Show Live Streaming on E-map

Backup

Manual	USB Dongle (FAT format) Local Path Network Path (NAS (SMB & CIFS))
Schedule	NAS (SMB & CIFS)

System

User Management	Authentication: Basic Account / Windows AD Account User Account: 1024 User Account Time Limit: No limitation, By Time & By Day User Account Time Schedule: Weekly Setting User Level: Administrator / Power User / User / Operation / Guest
Log	Operation, System and Event Log
Date & Time	Sync Server
Firmware	Manual update
Restore Default	Supported
Backup/Restore (Configuration)	Supported
Language	Czech, English, French, German, Italian, Japanese, Persian, Portuguese, Russian, Spanish, Simplified Chinese, Traditional Chinese

Camera Integration

Devices Pack	.vdp file update
*Please refer to System Requirements Page (http://www.vivotek.com/vast/#system)	
Camera Insert	Manual & Search
Video Source	VIVOTEK Cameras, ONVIF Cameras, RTSP URL
Video Setting	Video Stream, Compression, Resolution, FPS, Video Quality
Audio Setting	Compression & Bitrate
Remote Focus	Manual focus adjustment & Full range scan
NTP Setting	IP address (NTP server or VAST server) & Updating interval
ONVIF Core Spec	Version 2.2 or above (by project)
ONVIF Stream	Video (H.264, MPEG4 & MJPEG) & Audio (G.711, one way)
ONVIF Control	PTZ control (up, down, left, right & zoom in/out)
ONVIF Event	Motion event, DI/O, video lost/restore
ONVIF Discovery	Discover the other brand camera through Insert Camera & Batch Insert

Device Integration

UPS	Windows UPS compatible
Joystick	VIVOTEK USB joystick All Windows® compatible USB joystick

Technical Specifications

Switch	VIVOTEK AW-GEV Series (VivoCam PoE Switch)
--------	--

I/O Box	Advantech ADAM-6000 Series CHIYU CYT-133SC
---------	---

VCA Solution

VCA for Surveillance	Motion detection, line crossing
----------------------	---------------------------------

VCA for Business Intelligence	People counting
-------------------------------	-----------------

VCA Event	Line crossing detection, loitering detection, field detection
-----------	---

*Only Support VIVOTEK Cameras.

Advanced Features

VIVOTEK Exclusives	Panoramic PTZ Seamless recording Standard VCA integration (line crossing & loitering & field detection) VCA counting solution
--------------------	--
