

ECMU-01-C(-S)
 ECMU-02-C(-S)
 ECMU-03-C(-S)
 ECMU-04-C(-S)

Wind Rated Concrete Ceiling Tilt Mount for 32" to 65" Outdoor Flat Panel Displays

The Peerless Wind Rated Outdoor TV Mount is tough enough to handle rough weather. Wind rated up to 90mph, it's constructed from heavy gage steel, and sealed with corrosion resistant E-Coat. Complete with stainless steel tamper resistant hardware that is Sorted-For-You™ for simplified installation to wood studs, concrete or cinder block. It's the mount designed to hold an outdoor TV in any environment.



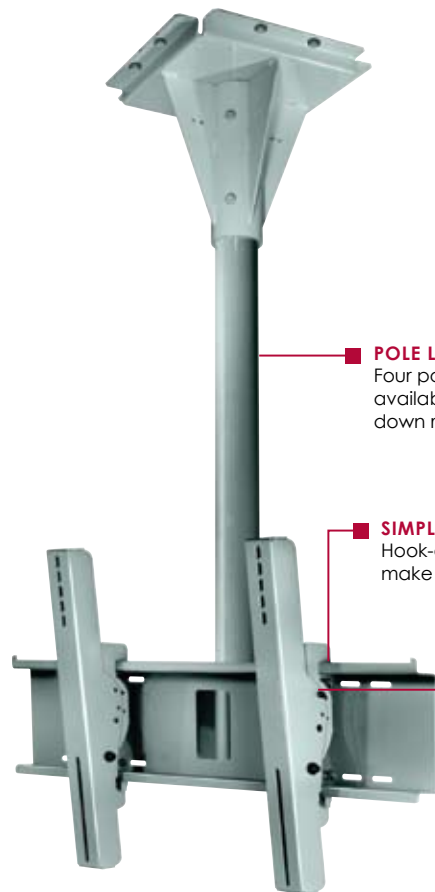
Screen size: 32"-65"



Max load: 200lb (90.7kg)

FEATURES

- Universal mounting pattern – 28.39"W x 17.67"H (721 x 449mm) VESA® up to 600 x 400mm
- Corrosion resistant materials, coatings and hardware
- Wind rated up to 90 mph, elevation 200ft (60m), Category "D"
- Fixed incremental tilt with angle settings at 0°, 2°, 5°, 10° or 15°
- Up to 8" (203mm) of horizontal positioning
- 1' (304mm), 2' (609mm), 3' (914mm) or 4' (1219mm) pole length options
- Hook-and-hang design for simplified installation



POLE LENGTH OPTIONS

Four pole length options available for varied drop down requirements

SIMPLE SET-UP

Hook-and-hang design helps make installation quick and easy

VIEWING ANGLE FLEXIBILITY

Incremental tilt settings enable the best viewing angle



Adjustable tilt can easily be set up to 15° forward and 5° back



Model Numbers

ECMU-01-C(-S):	1' Wind Rated Concrete Ceiling Tilt Mount for 32" to 65" Outdoor Flat Panel Displays
ECMU-02-C(-S):	2' Wind Rated Concrete Ceiling Tilt Mount for 32" to 65" Outdoor Flat Panel Displays
ECMU-03-C(-S):	3' Wind Rated Concrete Ceiling Tilt Mount for 32" to 65" Outdoor Flat Panel Displays
ECMU-04-C(-S):	4' Wind Rated Concrete Ceiling Tilt Mount for 32" to 65" Outdoor Flat Panel Displays

Product Specifications

	DIMENSIONS (W x H x D)	PRODUCT WEIGHT	LOAD CAPACITY	FINISH	AVAILABLE COLORS
ECMU-01-C(-S)	19.63" x 30.75" x 14.75" (498 x 781 x 375mm)	64lb (29kg)	200lb (90.7kg)	Outdoor powder paint	ECMU-C models: Black ECMU-C-S models: Stone Gray
ECMU-02-C(-S)	31.63" x 30.75" x 14.75" (803 x 781 x 375mm)	66lb (30kg)			
ECMU-03-C(-S)	43.63" x 30.75" x 14.75" (1108 x 781 x 375mm)	68lb (31kg)			
ECMU-04-C(-S)	55.63" x 30.75" x 14.75" (1413 x 781 x 375mm)	70lb (32kg)			

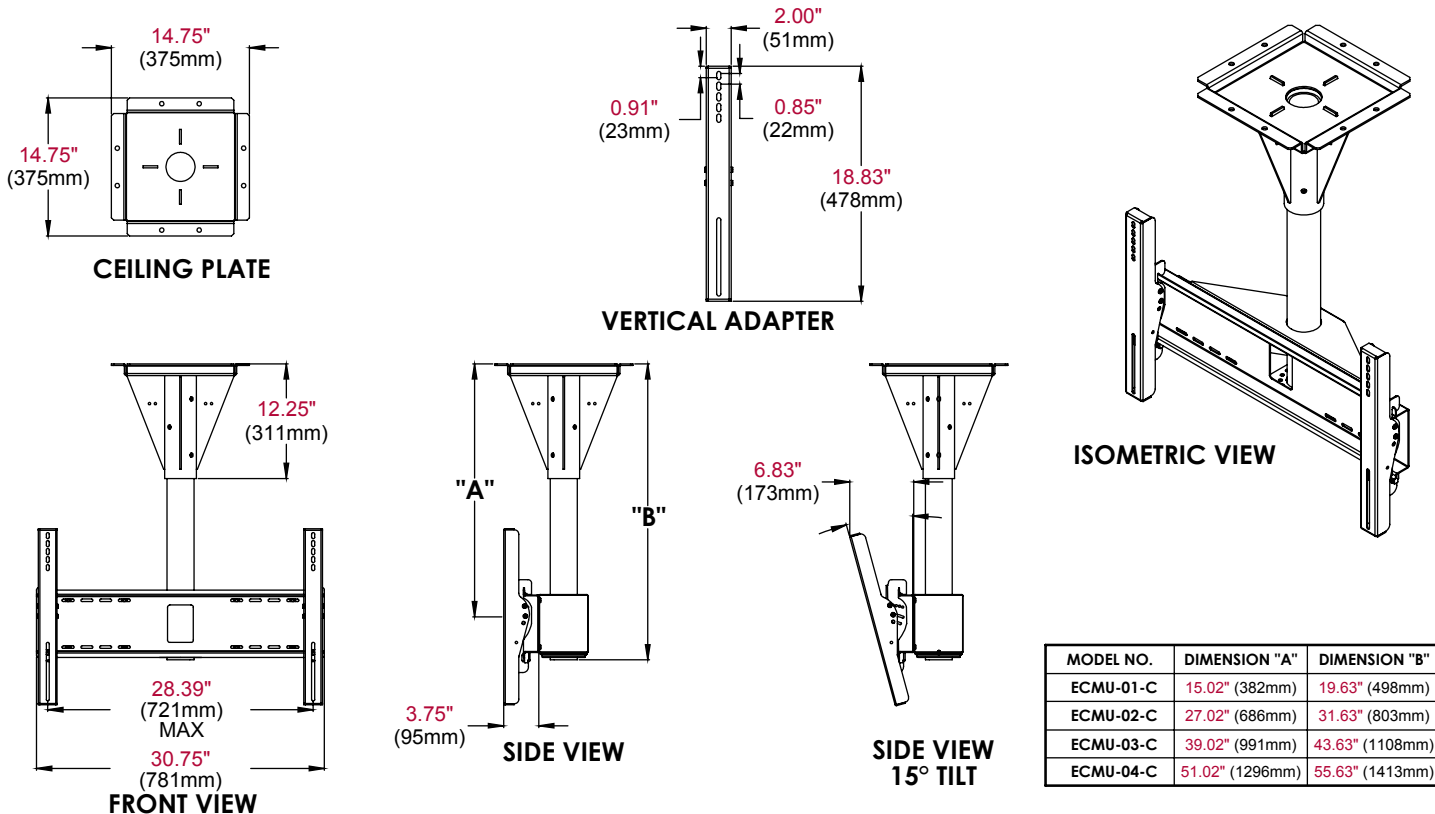
Package Specifications

	PACKAGE SIZE (W x H x D)	PACKAGE SHIP WEIGHT	PACKAGE UPC CODE	PACKAGE CONTENTS	UNITS IN PACKAGE
ECMU-01-C	5"D x 20"L (127 x 508mm)	70.5lb (32kg)	735029272472	Mount, hardware, concrete fasteners, security fasteners	1
ECMU-01-C-S	5"D x 20"L (127 x 508mm)	70.5lb (32kg)	735029272519		
ECMU-02-C	5"D x 32"L (127 x 812mm)	76.5lb (35kg)	735029272489		
ECMU-02-C-S	5"D x 32"L (127 x 812mm)	76.5lb (35kg)	735029272526		
ECMU-03-C	5"D x 44"L (127 x 1117mm)	81.5lb (37kg)	735029272496		
ECMU-03-C-S	5"D x 44"L (127 x 1117mm)	81.5lb (37kg)	735029272533		
ECMU-04-C	5"D x 56"L (127 x 1422mm)	87lb (39.5kg)	735029272502		
ECMU-04-C-S	5"D x 56"L (127 x 1422mm)	87lb (39.5kg)	735029272540		

NOTE:

Each product is shipped in 4 separate boxes. 3 boxes are the same size while the pole is shipped in a various sized tubes.
 Pole tubes are listed above. The 3 same sized boxes are:
 Concrete adapter base – 16" x 16" x 16" (406 x 406 x 406mm)
 Wall plate w/vertical brackets - 34.25" x 10.18" x 3.12" (870 x 258 x 79mm)
 Wall plate pole adapter box – 33.5" x 12.5" x 5.12" (850 x 317 x 130mm)
 Product ships via freight on a dedicated skid.

All dimensions = inch (mm)



ARCHITECTS SPECIFICATIONS

The Peerless Wind Rated Concrete Ceiling Tilt Mount for Outdoor Flat Panel Displays shall be a Peerless model number _____ and located where indicated on the plans. Assembly and installation shall be done according to instructions provided by the manufacturer. Mount is made of heavy gauge cold rolled steel. Mount is finished with textured black or gloss ASA-70 gray protective paint.