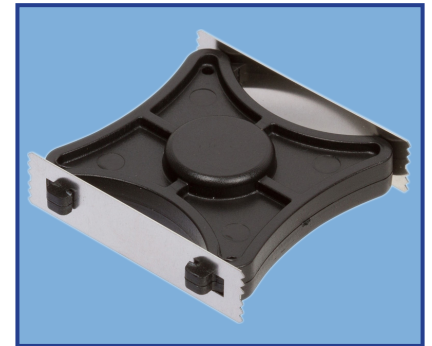


DESCRIPTION

Nascom's patent pending SHARK magnet is designed for steel and aluminum U-channel doors. The SHARK magnet is incredibly easy to install - just squeeze it, fit it and forget it.

Ordering part number: **SHARK/M**



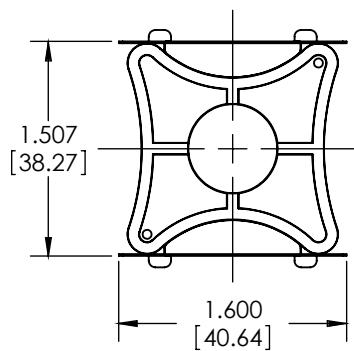
FEATURES

- "SHARK" TEETH HOLD THE MAGNET IN PLACE
- EASY TO INSTALL
- STAINLESS STEEL SPRINGS
- STRONG RARE EARTH MAGNET (GRADE N35 NdFeB)
- NO CLEANING • NO SILICONE • NO WOOD OR TAPE
- ABS HOUSING

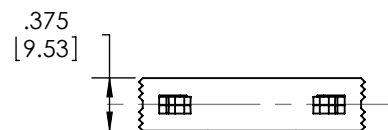
SPECIFICATIONS

PARAMETERS	MIN	TYP	MAX	UNITS
MAGNET RATINGS				
Residual Flux Density (Br)	11.8		12.5	kGs
Maximum Energy Product (BHmax)	33.0		37.0	MGOe
Coercive Force (Hcb)		10.8		kOe
Intrinsic Coercive Force (Hcj)		12.0		kOe
Working Temperature			80°	C
Curie Temperature (Tc)			200°	C

DIMENSIONS - IN [mm]



TOP VIEW



FRONT VIEW

INSTALLATION INSTRUCTIONS

- Press the springs inward.
- Insert the magnet in the U-channel; center and align as necessary.
- Release the springs to secure the magnet.

