

S4000 Series

Electrified Industrial
Rim & Vertical Rod Exit Devices

SDC's S4000 series features low-profile, high value electrified grade 1 exit devices with stainless steel construction. Not all perimeter doors have adequate overhang protection, exposing them to weather and corrosion. The S4000 is corrosion resistant and comes with motorized electric latch retraction and request-to-exit (REX) monitoring factory installed, making its application as easy as **install - power - done**.

Trim is ordered separately, see related products.



MODELS

S41 Rim

S42 Surface Vertical Rod (SVR)

STANDARD FEATURES

- Electrified compact industrial design
- Motorized electric latch retraction and dogging
- Panic and fire rated devices
- Durable stainless steel construction
- Corrosion resistant
- Scratch, fingerprint and impact resistant touch pad
- High traffic use
- Low-energy automatic door operator compatible
- Request-to-exit (REX)

OPTIONAL FEATURES

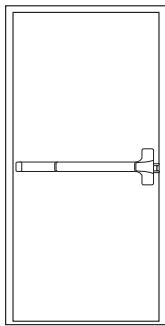
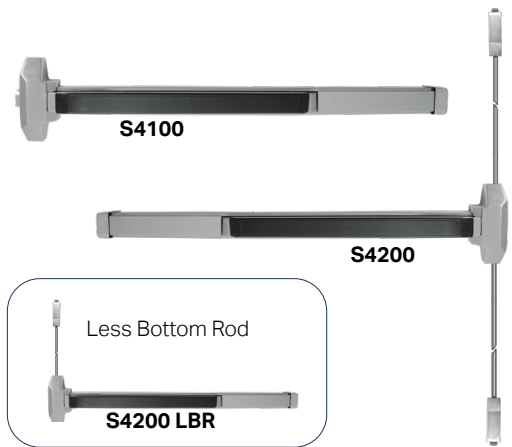
- Less bottom rod*

* Available for S42 surface vertical rod devices only.

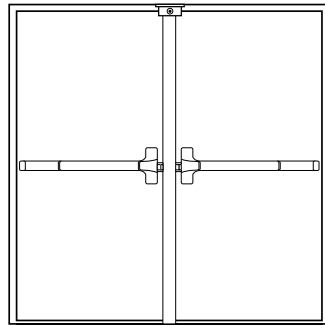


APPLICATIONS

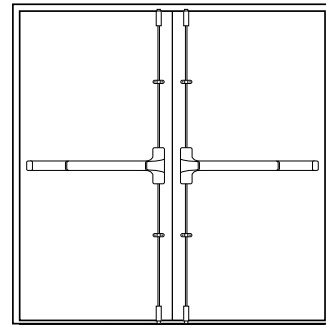
- Commercial and industrial
- Hollow metal, wood and mineral core doors
- New or retrofit construction
- Rim and surface vertical rod devices
- Single or pair of doors
- Wide stiles (4" minimum)



Rim device on single door.

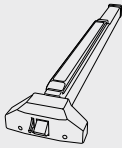
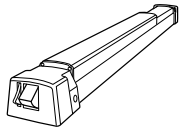
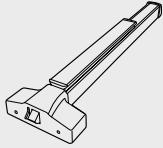
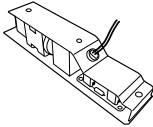
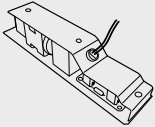


Two rim devices on two independent active doors with removable mullion.



Two surface vertical rod devices - same direction. Overlapping astragal not required.

CROSS REFERENCE

Series	S4000	S5000	S6000	LR100	IP100
					
Application	Industrial	Storefront	Architectural	Retrofit ELR Kits	Retrofit ELR PoE Kits
Device Types	Rim, SVR	Rim, CVR	Rim, SVR, Mortise	----	----
Electrification	Motorized ELR	Motorized ELR	Motorized ELR, Electric Dogging, Alarmed Exit	Motorized ELR	Motorized ELR

[CLICK TO VIEW](#)

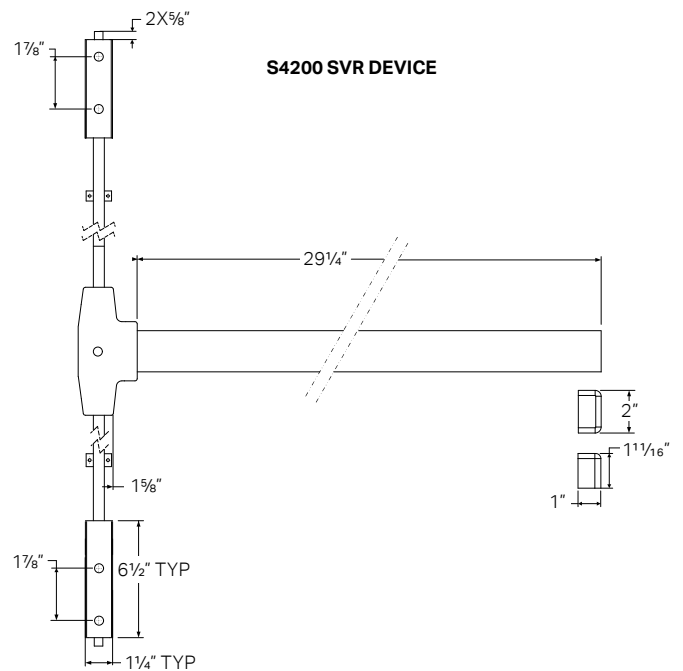
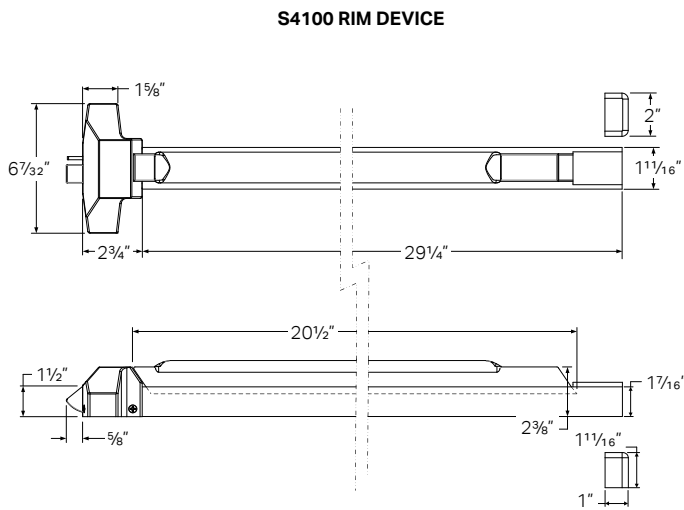
[CLICK TO VIEW](#)

[CLICK TO VIEW](#)

[CLICK TO VIEW](#)

SDC SPECIFICATIONS

	S4100	S4200
Device Type	Rim	Surface Vertical Rod (SVR)
Door Width	36"	36"
Door Height	—	7'0"
Door Thickness	1¾" - 2"	1¾" - 2"
Door Stile	Wide (4" Minimum)	Wide (4" Minimum)
Handing	Non-Handed	Non-Handed
Headcover	Stainless Steel	Stainless Steel
Rail	Stainless Steel	Stainless Steel
Pushpad	Stainless Steel	Stainless Steel
Pushpad Protective Guard	Nylon 6/6 (30% Glass Fill)	Nylon 6/6 (30% Glass Fill)
End Cap	Stainless Steel	Stainless Steel
Projection	27/16" Neutral 11 1/16" Depressed	27/16" Neutral 11 1/16" Depressed
Latch	¾" Throw Stainless Steel	¾" Throw, Deadlocking (Top) ¾" Throw, (Bottom) Stainless Steel (Top & Bottom)
Deadlatch	5/8" Throw Stainless Steel	-----
Vertical Rods	—	Aluminum
Weight	10 lbs	11.5 lbs
Input	24 VDC ± 10%	24 VDC ± 10%
Current Draw	700 mA Inrush 200 mA Continuous	700 mA Inrush 200 mA Continuous
Request-to-Exit (REX)	SPDT 10 Amp @ 250 VAC Resistive	SPDT 10 Amp @ 250 VAC Resistive



CERTIFICATIONS

- UL 305 Panic Hardware
- UL 10C Positive Pressure Fire Tests
- ANSI/BHMA A156.3 Grade 1

HOW TO ORDER

FOLLOW STEPS FOR ORDERING

 Designates optional step


1| SPECIFY DEVICE TYPE

- S41** Rim
- S42** Surface Vertical Rod (SVR)

2| SPECIFY FUNCTION

- 01** Exit Only (No Trim)
- 02** Dummy Trim (No Cylinder Prep)
- 03** Key Retracts Latchbolt (Nightlatch)
- 08** Key Locks/Unlocks Lever (Classroom)
- 14** Lever Always Active (Passage)

3| SPECIFY RATING

- P** Panic Device 
- F** Fire-Rated Device


4| SPECIFY FINISH

- U** 630 Dull Stainless 

5| SPECIFY LENGTH

- 36** 36" Door Opening 

6| SPECIFY OPTIONS

- R** Request-To-Exit (REX) 
- LBR*** Less Bottom Rod, Panic
- LBRF*** Less Bottom Rod, Fire-Rated

* Available for S42 surface vertical rod devices only.

7| SPECIFY ELECTRIFICATION

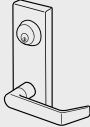
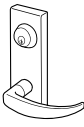

- E** Motorized Electric Latch Retraction & Dogging 

STEP NUMBER:	1	2	3	4	5	6	7
ORDERING EXAMPLE:	S41	01	P	U	36	R	E

RELATED PRODUCTS

COMPATIBLE TRIM

SDC exit device trim is stainless steel. Key cylinders are not included, order separately.

Series	EK4	GK4	SP4
Trim Type	Mechanical	Mechanical	Mechanical
			
	Eclipse Escutcheon	Galaxy Escutcheon	Saturn Escutcheon
02 Dummy	EK402U	GK402U	SP402U
03 Nightlatch	EK403U	GK403U	SP403U
08 Classroom	EK408U	GK408U	-----
14 Passage	EK414U	GK414U	-----

COMPATIBLE KEY CYLINDERS

CYL-6KAQ Mortise Cylinder, 6-Pin, 1 $\frac{1}{8}$ " Length, Keyed Alike 

CYL-6KDQ Mortise Cylinder, 6-Pin, 1 $\frac{1}{8}$ " Length, Keyed Different

RIM-CYL-KA* Rim Cylinder, 6-Pin, Keyed Alike

* For EK403U, GK403U and SP403U only.

REPLACEMENT STRIKES

ST41P Rim Strike, $\frac{37}{64}$ " Projection

ST41F Rim Strike, $\frac{37}{64}$ " Projection, Fire-Rated

ST42 SVR Top Strike, $\frac{43}{64}$ " Projection

ST48 SVR Floor Strike, Mortise, $\frac{3}{4}$ "

REMOVABLE MULLION

KR90F* 11 Gauge Steel, 8' x 2"

* Key cylinder not included, specify separately.



COMPONENT CONSIDERATIONS

LOW ENERGY OPERATORS

[CLICK TO VIEW](#)



SDC's low energy swing door operators are designed for applications requiring ADA compliance, user convenience and touchless solutions. The state-of-the-art microprocessor-based operator is self-tuning and self-learning while offering non-handed operation, full mechanical stops, door sequencing and a variety of interface options for sensors, push-plates, fire alarms and electrified locks. A built-in 1 Amp power supply allows users to power electric latch retraction directly from the operator.

POWER TRANSFER DEVICES

[CLICK TO VIEW](#)



Electrified power transfer hinges (PTH Series), loops (PT Series) and mortise devices (PTM Series) provide both surface and concealed methods for running wires from the frame to transfer power and monitoring signals to doors equipped with electric locks and exit devices. Wireless power transfer devices (WPT Series) wirelessly transfer power and monitor latch bolt status, REX or data signals to electrified locks and latches.

PUSH PLATES & PANELS

[CLICK TO VIEW](#)



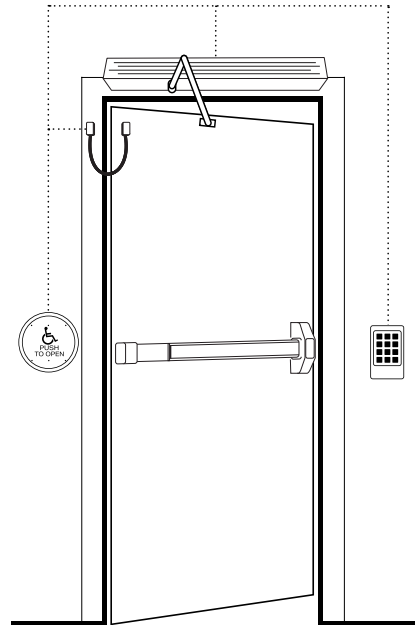
SDC's push plates and panels combined with SDC's operators, bollards and locking devices allow for complete access and egress solutions for ADA compliant applications. Included are round and square push plates, as well as wall mount and full-size push panels. All types can be wireless or hardwired, bollard or wall mounted. ADA compliant solutions work seamlessly with low energy swing door operators like Auto EntryControl™.

KEYPADS & READERS

[CLICK TO VIEW](#)



SDC has a variety of digital keypad and proximity card access control system equipment to meet any need. SDC's keypads and readers are engineered to provide real-world door control of a single opening up to 100 doors, such as indoor, outdoor and PC-based systems, while ensuring fire and life safety code compliance along with superior expandability and flexibility in authorization identification, authentication, access approval and accountability of entities through login credentials.



POWER CONTROLLERS

[CLICK TO VIEW](#)



SDC access control power supplies have been developed specifically to support access controls and electric locking hardware. They are UL listed and provide filtered and regulated linear DC power, with optional control logic, component interface, alarm interface and battery back-up to meet the requirements of single and multiple access-controlled openings. The circuitry design is ideal for the inductive loads generated by access control hardware for high performance and longevity.

DOOR CONTROLS & BACKUP BATTERIES

[CLICK TO VIEW](#)



SDC's door control relay modules ensure compatibility of access hardware components and simplify system installation and troubleshooting. Different modules may be specified for one power supply. The isolated relay design allows trigger signals over small gauge cable runs of 22 gauge wire up to 1,000 feet from the trigger device to the module. SDC's engineered system design services are available when you purchase SDC locks, control modules and power controllers for your door opening applications.