

MS1950, MS1950-X5X Series MS® Deadlocks



Aluminium

Swinging
DoorSliding
DoorMS1950-X5X
only

The stainless steel **MS1950 Series MS® Deadlock** utilizes a laminated stainless steel bolt, to provide maximum security for a single leaf narrow stile aluminum door.

The stainless steel **MS1950-X5X Series MS® Deadlock** utilizes a laminated stainless steel hookbolt, to provide maximum security for a sliding narrow stile aluminum door.

Both are activated by a pivot mechanism.

Function

A huge bolt of laminated stainless steel, nearly 3" long, activated by an uncomplicated pivot mechanism, has made the basic **MS1950 MS® Deadlock** the standard of the narrow stile aluminum door industry. The length of this bolt provides maximum security for a single leaf door, even a very tall and flexible one or an installation where the gap between the door and jamb is greater than it should be.

The stainless steel **MS1950-X5X Series MS® Deadlock** answers the security need of sliding doors in commercial, industrial, and institutional buildings. The mechanism is identical to the widely used Maximum Security swinging door lock, except that the massive laminated bolt is provided in a hook shape to resist the parting motion of sliding door and jamb. The over-center MS locking action assures that forced entry attempts to pry the door in any direction, up, down, or sideways, will be defeated.

Operation

360° turn of key or thumbturn projects or retracts the counterbalanced bolt. Key can be removed only when bolt is in a positively locked or unlocked position. Lock accepts any standard 1" [25.4 mm] length, 1-5/32" [29.4 mm] diameter mortise cylinder with MS® cam such as the 4036 Mortise Cylinder or thumbturn such as the 4066 Thumbturn, available separately. Lock accepts cylinder on either or both sides.



MS1950



MS1950-X5X

Features

Cylinder Backset

31/32" [24.6 mm], 1-1/8" [28.6 mm], or 1-1/2" [38.1 mm] only.

Case

Measures 1" x 6" x depth [25.4 mm x 152.4 mm x depth], depth varies by backset (see table left). Fully stainless steel case and internal components.

Bolt

Eight-ply laminated stainless steel. Center ply has alumina-ceramic core to defeat any hacksaw attack, including rod-type "super" hacksaws.

MS1950 Bolt: Standard straight bolt measures 5/8" x 1-3/8" x 2-7/8" [15.9 mm x 34.9 mm x 73.0 mm] with 1-3/8" [34.9 mm] throw.

MS1950-X5X Bolt: 5/8" x 1-3/8" [15.9 mm x 34.9 mm] with 13/16" [20.3 mm] throw. Hook shape repels pry bar attempts to "spread" the door from its jamb or lift it off its track.

Faceplate

Measures 1" x 6-7/8" [25.4 mm x 174.6 mm].

Strike

See next page for dimensions of strike slot which can be cut in metal jamb. Trim plate, box strike, and armored strike are available separately.

Standard Package

Individually boxed with machine screws for mounting. Cylinders and/or thumbturns available separately.

Shipping weight

1-1/2 lbs. [0.68 kg]

Options

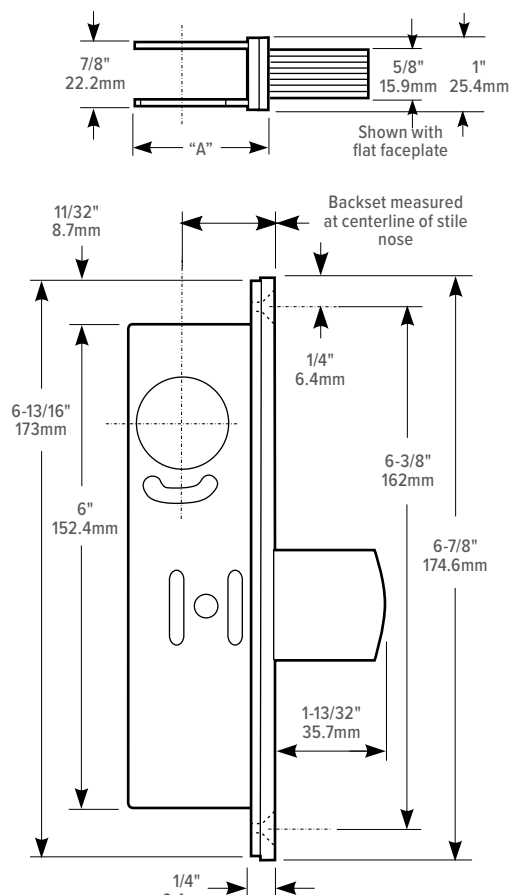
- "SCHOOLHOUSE" version, also available, is modified so that operation from inside is "unlock only". This lock is handed and must be specified LH or RH. Specify Series SCH1950, (-X5X). Same faceplate and backset options as Series MS1950, (-X5X).

ARMORED FACEPLATE 1" X 6-7/8"
FLAT MS1950
RADIUS MS1951
RADIUS W/ WEATHERSTRIP MS1951W
LH BEVEL MS1952-X15
RH BEVEL MS1952-X16

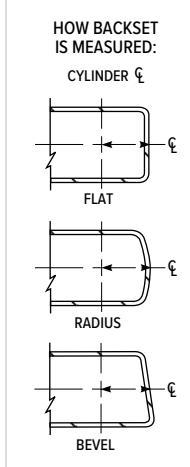
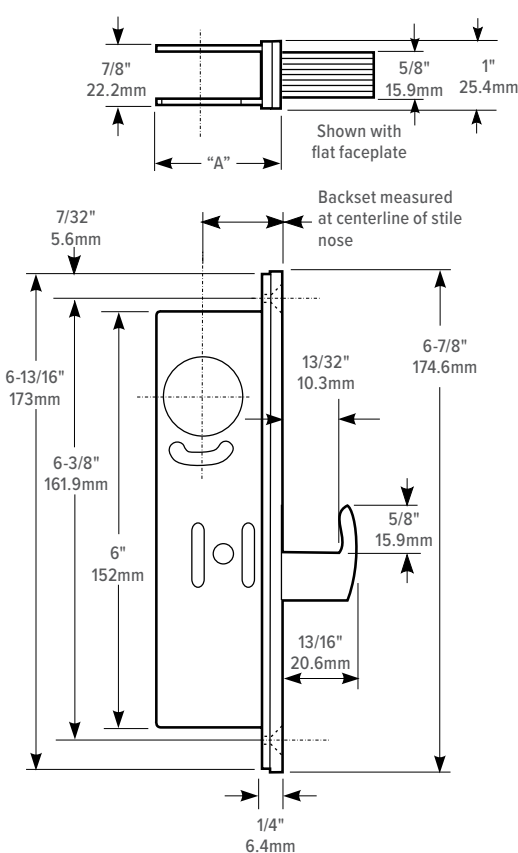
BACKSET	"A"
31/32" 24.6mm	1-5/8" 41.3mm
1-1/8" 28.6mm	1-25/32" 45.2mm
1-1/2" 38.1mm	2-1/4" 57.2mm

All measurements are approximate and are provided for informational purposes only. Refer to the product Installation Instructions.

MS1950 Dimensions



MS1950-X5X Dimensions



Experience a safer
and more open world

