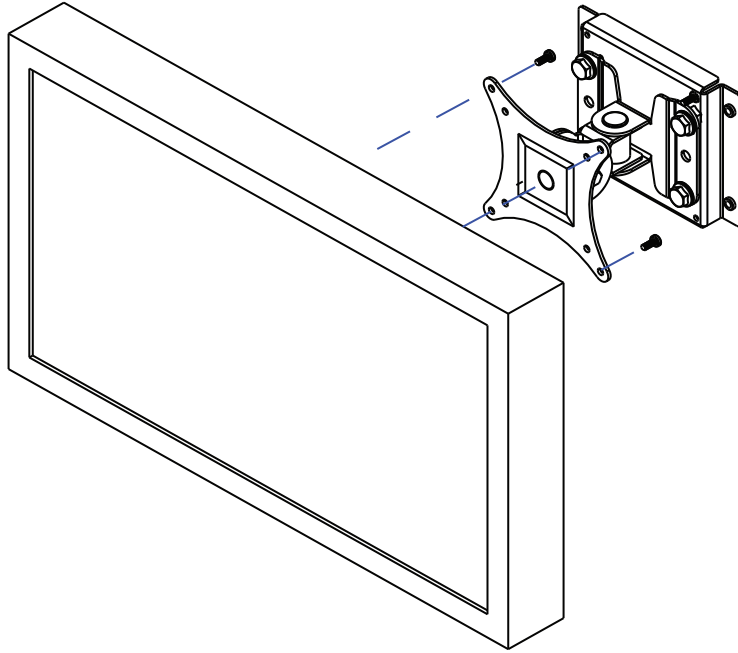


INSTALLATION INSTRUCTIONS  
**RM-LCD-PNLK**  
RM-LCD SERIES

**INSTALLATION**

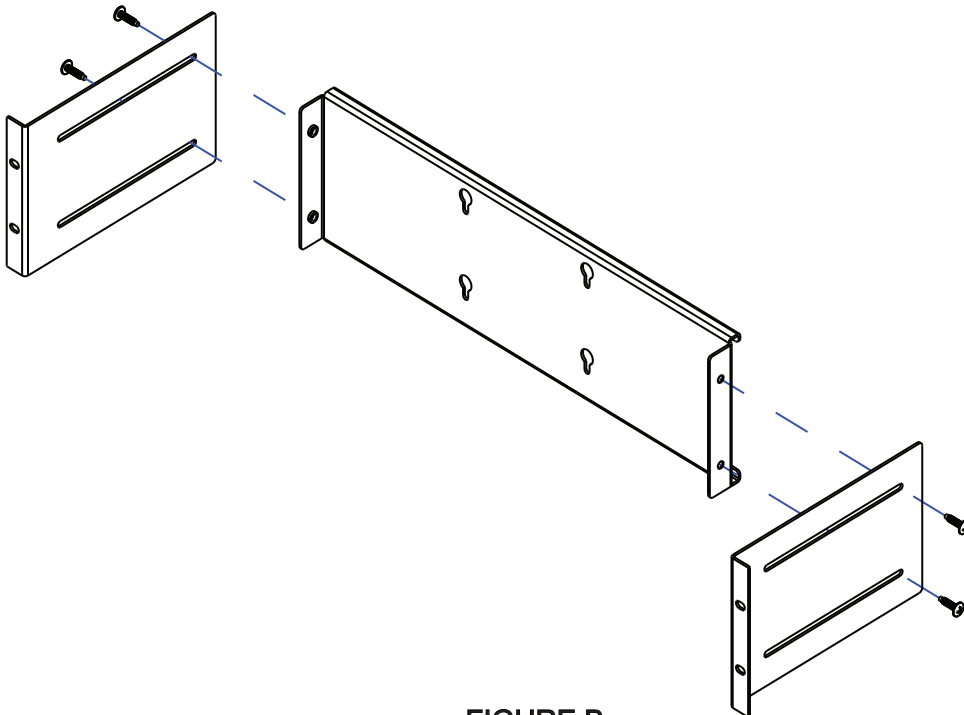
1) Install supplied mounting screws (4 places) into the back of the monitor. **(FIGURE A)**

NOTE: Two screw lengths provided: 10mm and 16mm. Identify the proper length for the monitor being installed.



**FIGURE A**

2) Install ears with supplied 10-32 Truss Head screws to back panel as shown. **(FIGURE B)**  
Adjust panel to desired depth and tighten screws.

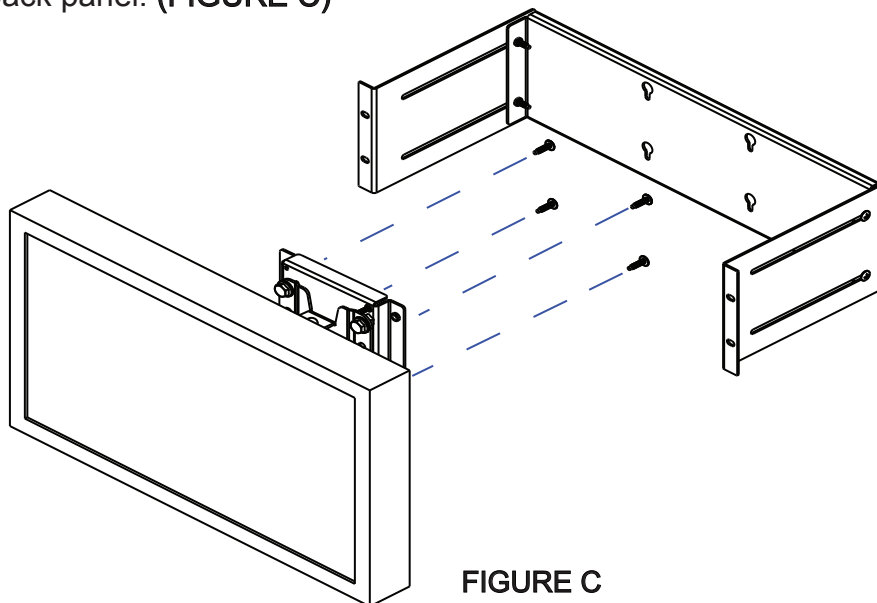


**FIGURE B**

3) Mount assembled ears and backpan to enclosure.

NOTE: Ensure there is access to the rear of the panel prior to installing into an enclosure.

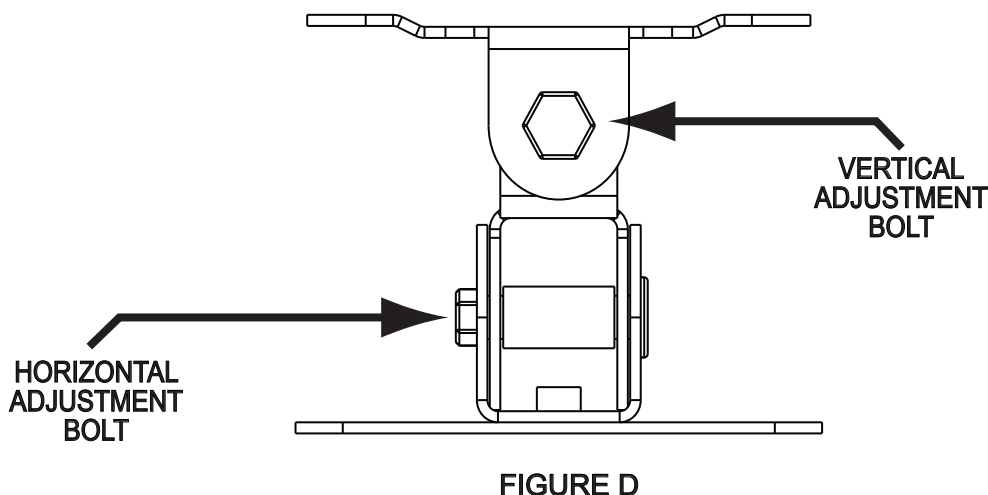
- 4) Partially install supplied 10-32 Truss Head screws to assembled VESA plate. Hook VESA plate and monitor into back panel. **(FIGURE C)**



- 5) After hardware is properly engaged to back panel tighten screws from rear.

- 6) Adjust the monitor to the desired position.

- 7) Using a 1/2" wrench, tighten the bolts that control vertical and horizontal positioning. **(FIGURE D)**



#### **WARRANTY**

Middle Atlantic Products, Inc. (the "Company") warrants the RM-LCD-PNLK to be free from defects in material or workmanship under normal use and conditions for a period of (3) three years from date of shipment by the company.

The Company's entire liability to the purchaser, and the purchaser's (or any other party's) sole and exclusive remedy, under this warranty shall be limited, at the Company's option, to either (a) return of and refund of the price paid for, or (b) repair or replacement at the Company's factory of the products purchased, or any part or parts thereof, which the Company has determined to be defective after inspection thereof at the Company's factory. This warranty does not cover damage due to acts of God, accident, misuse, abuse or negligence by parties other than the Company, or any modification or alteration of the products. In addition, this warranty does not cover damage due to improper handling, assembly, installation or maintenance.

THIS WARRANTY IS IN LIEU OF ALL OTHER WARRANTIES OF ANY KIND, EITHER EXPRESSED OR IMPLIED, INCLUDING, BUT NOT LIMITED TO, IMPLIED WARRANTIES OF MERCHANTABILITY AND FITNESS FOR A PARTICULAR PURPOSE.

TO THE MAXIMUM EXTENT PERMITTED BY APPLICABLE LAW, IN NO EVENT SHALL THE COMPANY BE LIABLE FOR ANY SPECIAL, INCIDENTAL, INDIRECT, OR CONSEQUENTIAL DAMAGES WHATSOEVER (INCLUDING, WITHOUT LIMITATION, DAMAGES FOR LOSS OF BUSINESS PROFITS, BUSINESS INTERRUPTION OR ANY OTHER PECUNIARY LOSS) ARISING OUT OF THE USE OF THE PRODUCTS PURCHASED, EVEN IF THE COMPANY HAS BEEN ADVISED OF THE POSSIBILITY OF SUCH DAMAGES. THE COMPANY'S LIABILITY TO THE PURCHASER (OR ANY OTHER PARTY) HEREUNDER, IF ANY, SHALL IN NO EVENT EXCEED THE PURCHASE PRICE OF THE PRODUCTS PAID TO THE COMPANY.

#### **Corporate Headquarters**

Corporate Voice 973-839-1011 - Fax 973-839-1976 / International Voice +1 973-839-8821 - Fax +1 973-839-4982  
middleatlantic.com - info@middleatlantic.com

#### **Middle Atlantic Canada**

Voice 613-836-2501 - Fax 613-836-2690 / middleatlantic.ca - contactcanada@middleatlantic.com

#### **Factory Distribution**

USA: NJ - CA - IL Canada: ON - BC

**At Middle Atlantic Products we are always listening. Your comments are welcome.**