

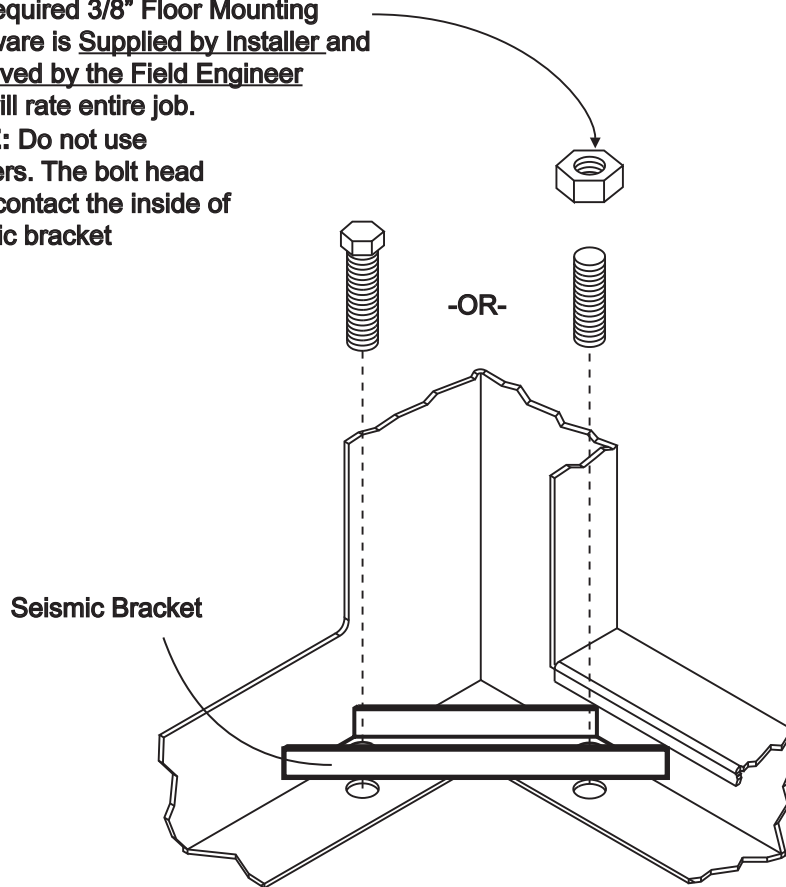
INSTRUCTION SHEET

SEISMIC BRACKET

INSTALLATION

The required 3/8" Floor Mounting Hardware is Supplied by Installer and Approved by the Field Engineer that will rate entire job.

NOTE: Do not use washers. The bolt head must contact the inside of seismic bracket



Rack Inside Corner
NOT Typical of all installations

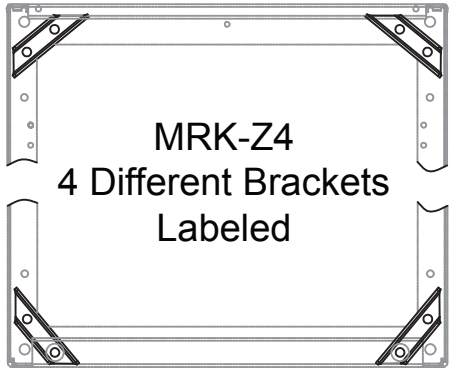
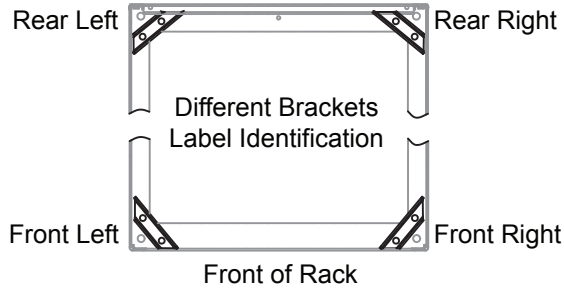
NOTE: The leveling foot rivnut located in the corner does not need to be removed. Tighten the floor anchor completely. Deflection will occur around the rivnut. This is required, it pre-loads the corner in compression.



SEISMIC COMPLIANCE

An engineered system is vital to achieve seismic rating requirements. A licensed professional engineer must approve the type of fasteners for the flooring where the rack will be mounted. Braced according to specifications set forth by licensed Architects and Engineers, the Middle Atlantic Products rack you purchased is capable of sustaining a phenomenal lateral load with the front rails filled to maximum capacity.

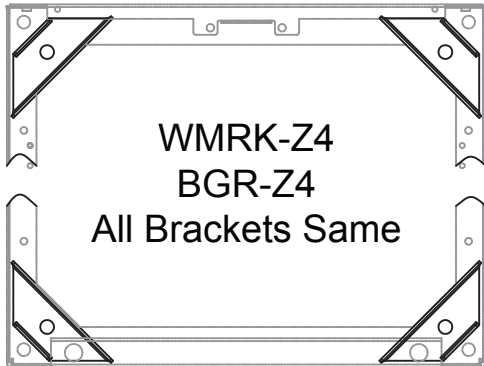
BRACKET INSTALLATION / CONFIGURATION / LOCATION



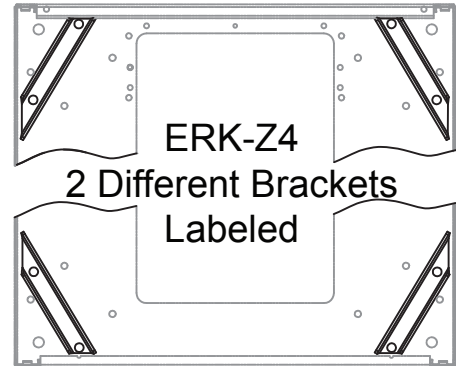
Front of Rack



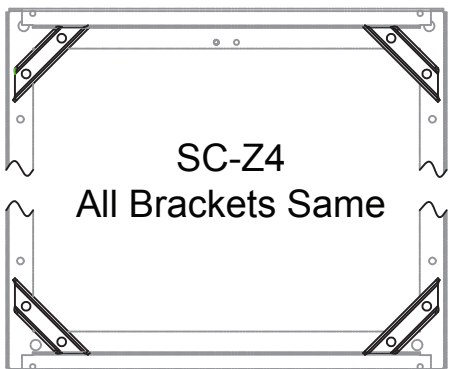
Front of Rack



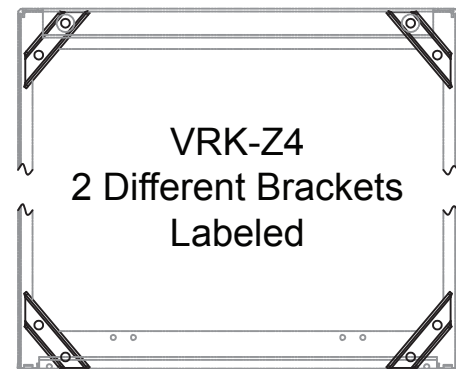
Front of Rack



Front of Rack



Front of Rack



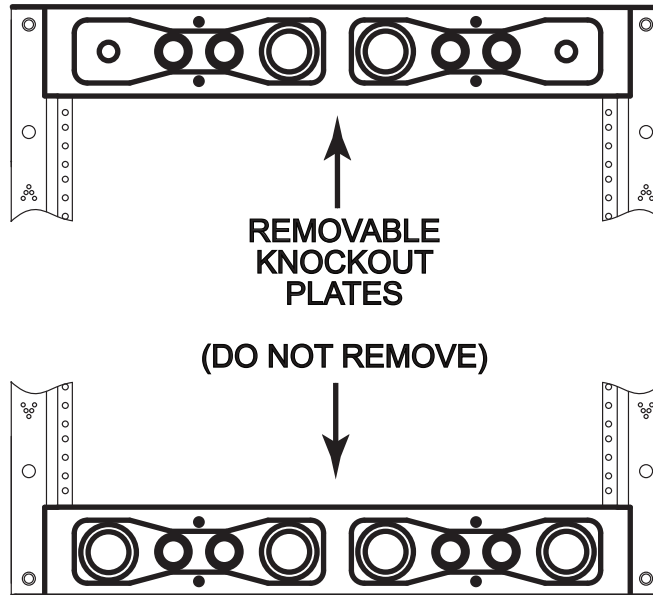
Front of Rack

NOTE: VRK ONLY
INSTALL ONE BOLT THROUGH
THE HOLE IN THE RACK BOTTOM AND
ONE THROUGH THE LARGE OPENING
IN THE RACK BOTTOM. BRACKETS
MUST BE SNUG AGAINST RACK SIDES.



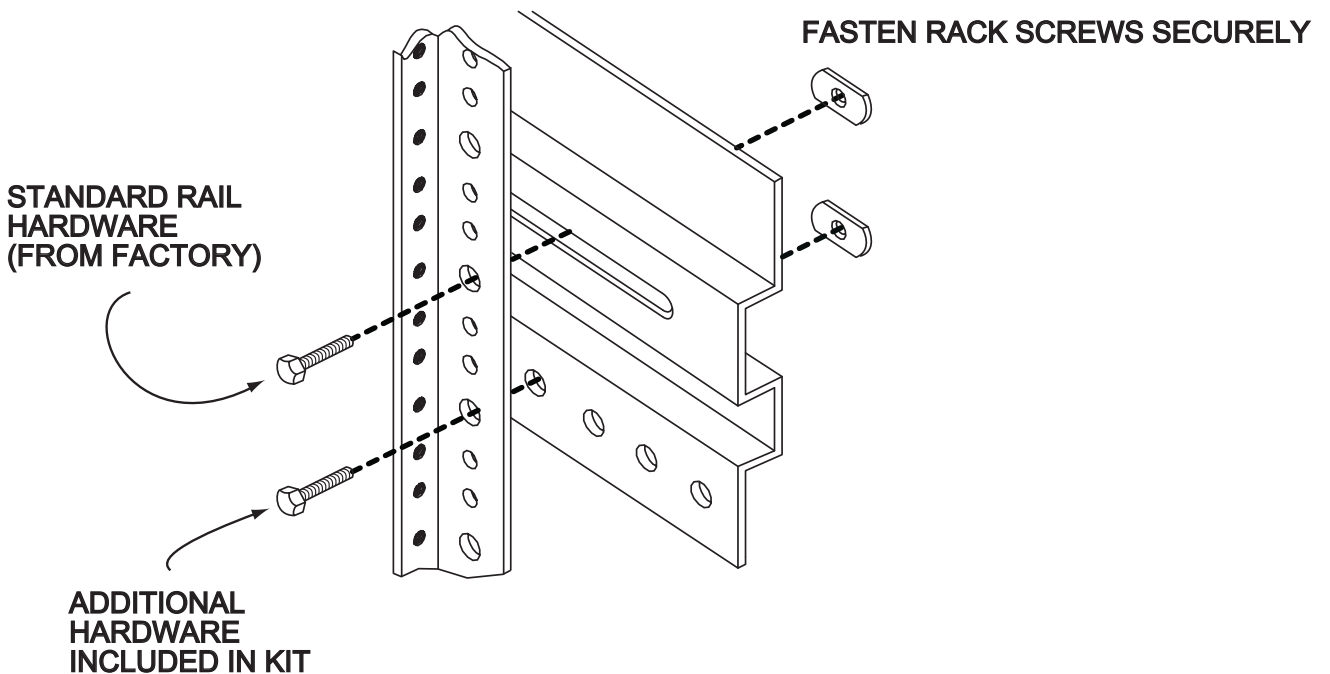
IMPORTANT NOTE

The REMOVABLE KNOCKOUT PLATES (BOTTOM AND TOP) must NOT be removed for seismic certification to stay in effect (may differ based on enclosure). Enclosure must be plumb and level in 2 directions.



SEISMIC COMPLIANCE RACKRAIL MOUNTING

1. Middle Atlantic Products seismic certifications require that Rackrail/Z-Rail be mounted in the slide position and fixed positions of all mounting points. (below)
2. Install Rack Panels in all unused rack spaces using all available mounting points.



The enclosures listed below are certified to applicable standards and codes for seismic installations:

* Does not include '-S' consoles with slide out rotating rack bay

ENCLOSURE SERIES	WEIGHT CAPACITY	BRACKET REQUIRED
BGR	1,175 lbs.	BGR-Z4 BGR-ISO-Z4
WMRK	1,090 lbs.	WMRK-Z4
DRK	755 lbs.	MRK-Z4
MRK	1,050 lbs.	MRK-Z4
MRK-XXXXAXS-Z4	520 lbs.	Included
WRK	900 lbs.	WRK-Z4
ERK	600 lbs.	ERK-Z4
VMRK	640 lbs.	MRK-Z4
VRK	740 lbs.	VRK-Z4
*Convective Series™ Consoles	375 lbs.	SC-Z4
*Quiet-Cool Series™ Consoles	375 lbs.	SC-Z4
*SCRK Enclosures	775 lbs.	SC-Z4
*SCQRK Enclosures	775 lbs.	SC-Z4
SRB Seismic Riser Bases (24" height standard, custom heights from 9"-24" available)	1,000 lbs. 1 bay 1,750 lbs. 2 bay 2,450 lbs. 3 bay	MRK-Z4 / VRK-Z4 (dependent upon enclosure to be mounted)
SRB Seismic Riser Base for DRK (24" height standard, custom heights from 9"-24" available)	1,050 lbs. 1 bay 2,130 lbs. 2 bay	MRK-Z4

WARRANTY

Middle Atlantic Products, Inc. (the "Company") warrants the Seismic Bracket to be free from defects in material or workmanship under normal use and conditions for the lifetime of the product.

The Company's entire liability to the purchaser, and the purchaser's (or any other party's) sole and exclusive remedy, under this warranty shall be limited, at the Company's option, to either (a) return of and refund of the price paid for, or (b) repair or replacement at the Company's factory of the products purchased, or any part or parts thereof, which the Company has determined to be defective after inspection thereof at the Company's factory. This warranty does not cover damage due to acts of God, accident, misuse, abuse or negligence by parties other than the Company, or any modification or alteration of the products. In addition, this warranty does not cover damage due to improper handling, assembly, installation or maintenance.

THIS WARRANTY IS IN LIEU OF ALL OTHER WARRANTIES OF ANY KIND, EITHER EXPRESSED OR IMPLIED, INCLUDING, BUT NOT LIMITED TO, IMPLIED WARRANTIES OF MERCHANTABILITY AND FITNESS FOR A PARTICULAR PURPOSE.

TO THE MAXIMUM EXTENT PERMITTED BY APPLICABLE LAW, IN NO EVENT SHALL THE COMPANY BE LIABLE FOR ANY SPECIAL, INCIDENTAL, INDIRECT, OR CONSEQUENTIAL DAMAGES WHATSOEVER (INCLUDING, WITHOUT LIMITATION, DAMAGES FOR LOSS OF BUSINESS PROFITS, BUSINESS INTERRUPTION OR ANY OTHER PECUNIARY LOSS) ARISING OUT OF THE USE OF THE PRODUCTS PURCHASED, EVEN IF THE COMPANY HAS BEEN ADVISED OF THE POSSIBILITY OF SUCH DAMAGES. THE COMPANY'S LIABILITY TO THE PURCHASER (OR ANY OTHER PARTY) HEREUNDER, IF ANY, SHALL IN NO EVENT EXCEED THE PURCHASE PRICE OF THE PRODUCTS PAID TO THE COMPANY.

Corporate Headquarters

Corporate Voice 973-839-1011 - Fax 973-839-1976 / International Voice +1 973-839-8821 - Fax +1 973-839-4982
middleatlantic.com - info@middleatlantic.com

Middle Atlantic Canada

Voice 613-836-2501 - Fax 613-836-2690 / middleatlantic.ca - customerservicecanada@middleatlantic.ca

Factory Distribution

USA: NJ - CA - IL Canada: ON - BC

At Middle Atlantic Products we are always listening. Your comments are welcome.

Middle Atlantic Products is an ISO 9001 and ISO 14001 Registered Company.



30% Recycled Paper