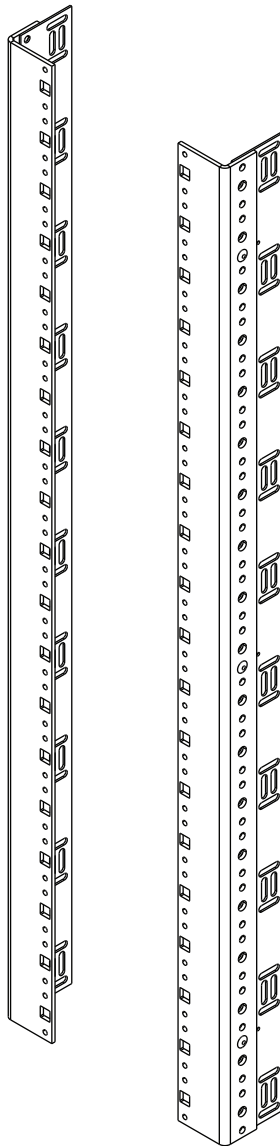


INSTRUCTION SHEET
FORWARD BY MIDDLE ATLANTIC
BGR RACKRAIL OPTION



THANK YOU

Thank you for purchasing the Forward BGR Rackrail option by Middle Atlantic Products. Please read these instructions thoroughly before installing or assembling this product.

PRODUCT FEATURES

- Compatible with Forward rackmount accessories.
- Equipped with vertical lacing on the side for internal cabling and accepts the Forward vertical cable management products.



IMPORTANT SAFETY INSTRUCTIONS

- Read these instructions.
- Heed all warnings.
- Clean only with dry cloth.
- Keep these instructions.
- Follow all instructions.
- Only use attachments/accessories specified by the manufacturer.



WARNING: A warning alerts you to a situation that could result in serious personal injury or death.



WARNING: Middle Atlantic Products, Inc. electrical systems conform to and should be properly grounded in compliance with requirements of the current National Electrical Code or codes administered by local authorities. All electrical products may present a possible shock or fire hazard if improperly installed or used. Middle Atlantic Products, Inc. electrical products may bear the mark of a Nationally Recognized Testing Laboratory (NRTL) and should be installed in conformance with current local and/or the National Electrical Code.



WARNING: Failure to read, understand and follow the following information can result in serious personal injury, damage to the equipment or voiding of the warranty. It is the responsibility of the Installer/User to ensure that this product is loaded according to specifications.

INSTRUCTIONS IMPORTANTES SUR LA SÉCURITÉ

- Lire ces instructions.
- Respectez tous les avertissements.
- Nettoyer uniquement avec un chiffon sec.
- Conservez ces instructions.
- Suivez toutes les instructions.
- N'utilisez que des accessoires spécifiés par le fabricant.



AVERTISSEMENT: Un avertissement vous avertit d'une situation pouvant entraîner des blessures graves ou la mort.

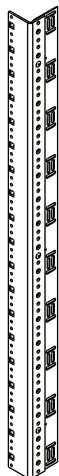


AVERTISSEMENT: Middle Atlantic Products, Inc. électrique systèmes conformes à devraient être mis à la terre dans conformité avec les exigences de la National actuelle ou comme les codes électrique administré par les autorités locales autorités. Tous les produits électriques peuvent présenter un choc ou un incendie danger si elle est mal installé ou utilisé. Middle Atlantic Products, Inc. produits électriques peuvent porter la marque d'un Nationally Recognized Testing Laboratory (NRTL) et doit être installé en conformité avec courant local et/ou le National Electrical Code.

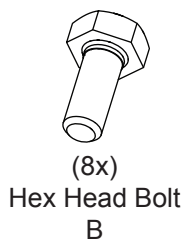


AVERTISSEMENT: Refus de lire, comprendre et suivre la renseignements suivants peut traduire par de graves blessures, des dommages à l'équipement ou invalider la garantie. Il est la responsabilité de l'installateur / utilisateur de s'assurer que ce produit est chargé conformément aux spécifications.

SUPPLIED COMPONENTS AND HARDWARE



BGR
Rackrail Pair
A



(8x)
Hex Head Bolt
B



(8x)
Rackrail Nut
C



(16x)
10-32 Cage Nut
D

NOTE: Cage nuts are included for installations where center hole mounting is required.

REQUIRED TOOLS

- 7/16" Wrench



WARNING: Use tools with caution and follow all necessary safety protocols.

AVERTISSEMENT: Utiliser des outils avec prudence et suivre tous les protocoles de sécurité nécessaires.

INSTALLING FORWARD BGR RACKRAILS INTO RACKRAIL BRACKET SLOT OPENINGS

NOTE:

- Exact installation position of rackrails along the rackrail brackets may vary based on your specific power and cabling setup.
- Install your rackrails in line with any existing rackrails already in your enclosure.

Isolated rackrail bracket from a BGR with slot openings left black for clarity. **(FIGURE A)**

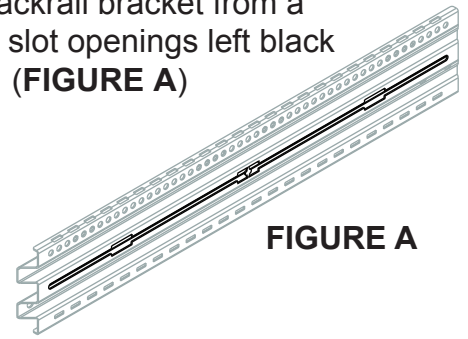
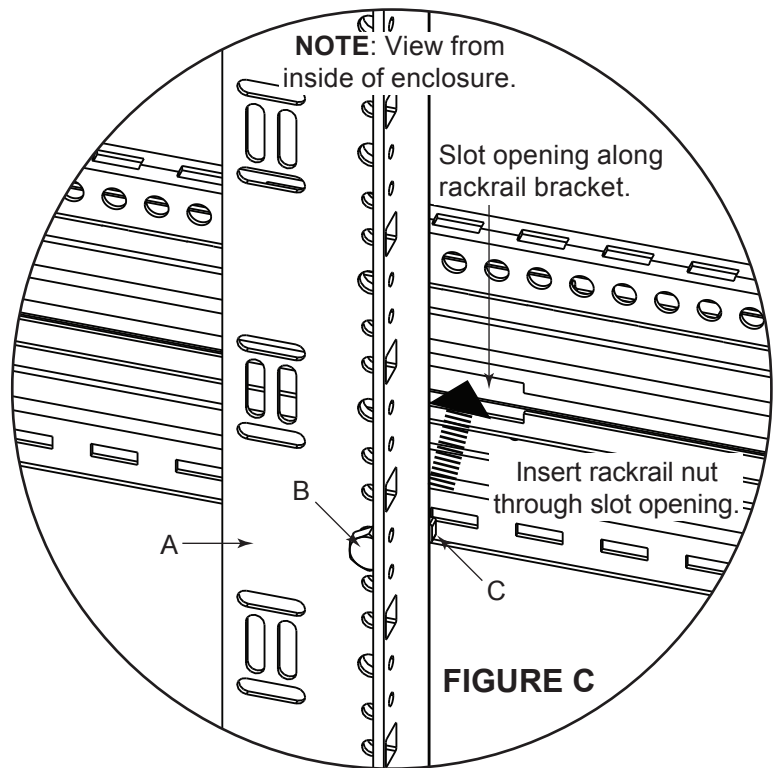
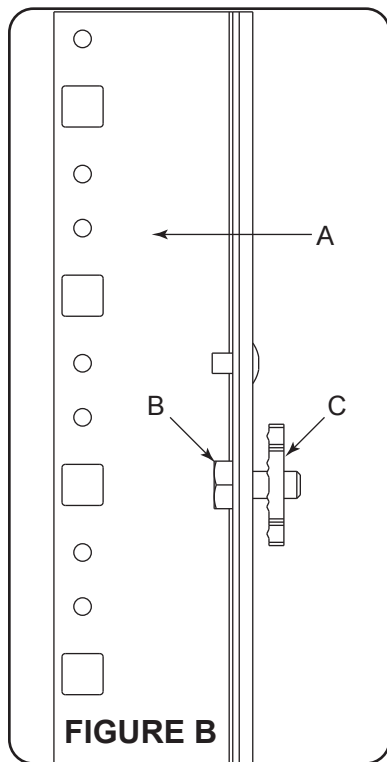


FIGURE A

1. Line up one of your rackrails (A) against the rackrail bracket slot openings inside of your enclosure to determine which of the larger holes on the rackrail will be used for your hardware (hex head bolts and rackrail nuts).
2. Put a hex head bolt (B) through a larger hole in the top location (determined from the previous step) on one of your rackrails (A) and thread the bolt (approximately 2 - 3 full turns) into a rackrail nut (C). **(FIGURE B)**
3. Insert the rackrail nut (partially assembled to the rackrail via the hex head bolt from the previous step) through a nearby slot opening in your desired location along the rackrail bracket. **(FIGURE C)**

NOTE:

Hand-tighten the bolt at this point to allow for adjustments.



4. Repeat the previous steps to match the hardware amounts (hex head bolts and rackrail nuts) to the amount of rackrail brackets in your enclosure.

TIP: Work from the top rackrail bracket down.

5. Now, repeat the previous steps using the other piece of rackrail and hardware on the other side of your enclosure's interior.
6. Position your rackrails evenly in your desired location along the rackrail brackets.
7. Use a 7/16" wrench to tighten all bolts.

INSTALLING FORWARD BGR RACKRAILS INTO RACKRAIL BRACKET FIXED HOLES

NOTE:

- Exact installation position along the rackrail brackets may vary based on your specific power and cabling setup.
- Install your rackrails in line with any existing rackrails already in your enclosure.

1. Line up one of your rackrails (A) against the rackrail bracket fixed holes inside of your enclosure to determine which of the larger holes on the rackrail will be used for your hardware (hex head bolts and rackrail nuts).

2. Drop a rackrail nut (C) into the slot along the top rackrail bracket in your desired location for your rackrail (A) on one side of your enclosure's interior as shown. (FIGURE E)

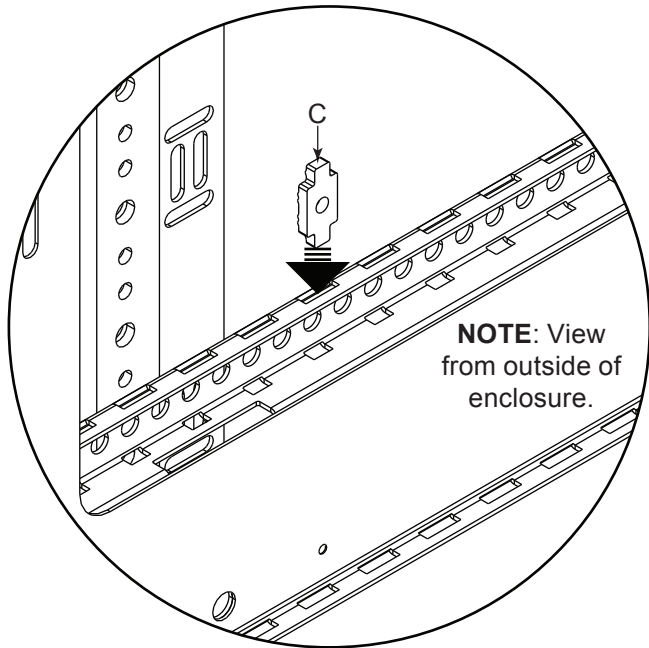


FIGURE E

5. Now, repeat the previous steps using the other piece of rackrail and hardware on the other side of your enclosure's interior.
6. Position your rackrails evenly in your desired location along the rackrail brackets.
7. Use a 7/16" wrench to tighten all bolts.

Isolated rackrail bracket from a BGR with fixed holes left black for clarity. (FIGURE D)

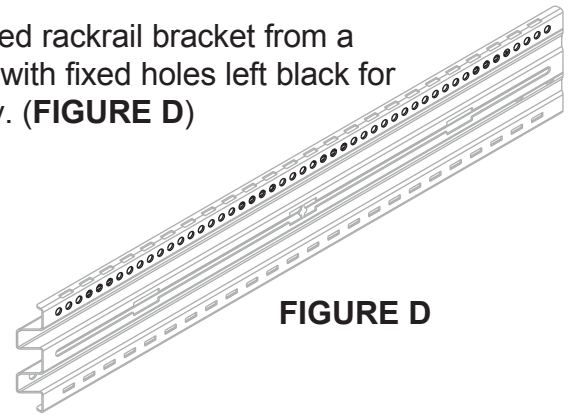


FIGURE D

3. Use a hex head bolt (B) through a larger hole in the top location on one of your rackrails (A) and into the rackrail nut (C) as shown. (FIGURE F)
4. Repeat the previous steps to match the hardware amounts (hex head bolts and rackrail nuts) to the amount of rackrail brackets in your enclosure.

TIP: Work from the top rackrail bracket down.

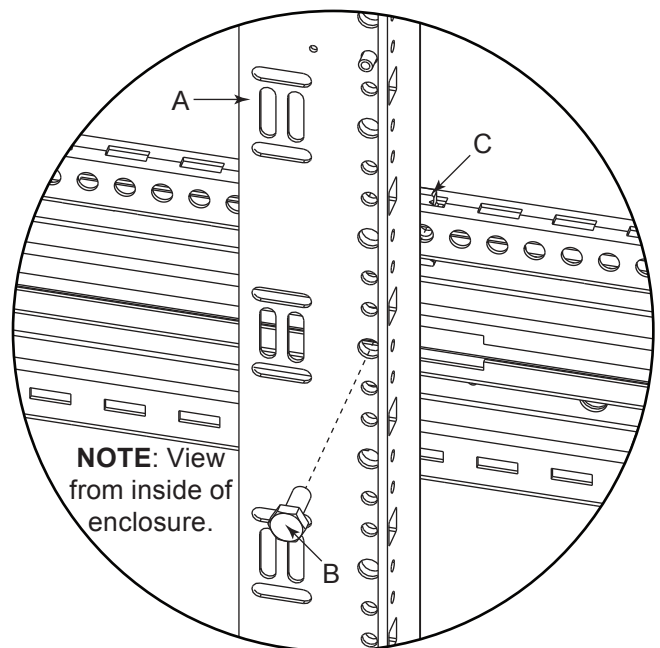


FIGURE F

WARRANTY

For warranty information, refer to <http://www.middleatlantic.com/company/about-us.aspx#warranty>

Corporate Headquarters

Voice: 973-839-1011 - Fax: 973-839-1976 - International Voice: +1 973-839-8821 -
Fax: +1 973-839-4982 - www.middleatlantic.com - info@middleatlantic.com

Middle Atlantic Canada

Voice: 613-836-2501 - Fax: 613-836-2690 - ca.middleatlantic.com -
customerservicecanada@middleatlantic.ca

Middle Atlantic EMEA Technical Support

Voice: +31 (0) 495 726002 - av.emea.middleatlantic.support@legrand.com

Factory Distribution

United States: New Jersey, California, Illinois - Canada: Ontario - The Netherlands: Weert

At Middle Atlantic Products we are always listening. Your comments are welcome.

Middle Atlantic Products is an ISO 9001 and ISO 14001 Registered Company.



Middle Atlantic Products

what great systems are built on™

middleatlantic.com ■ 800.266.7225