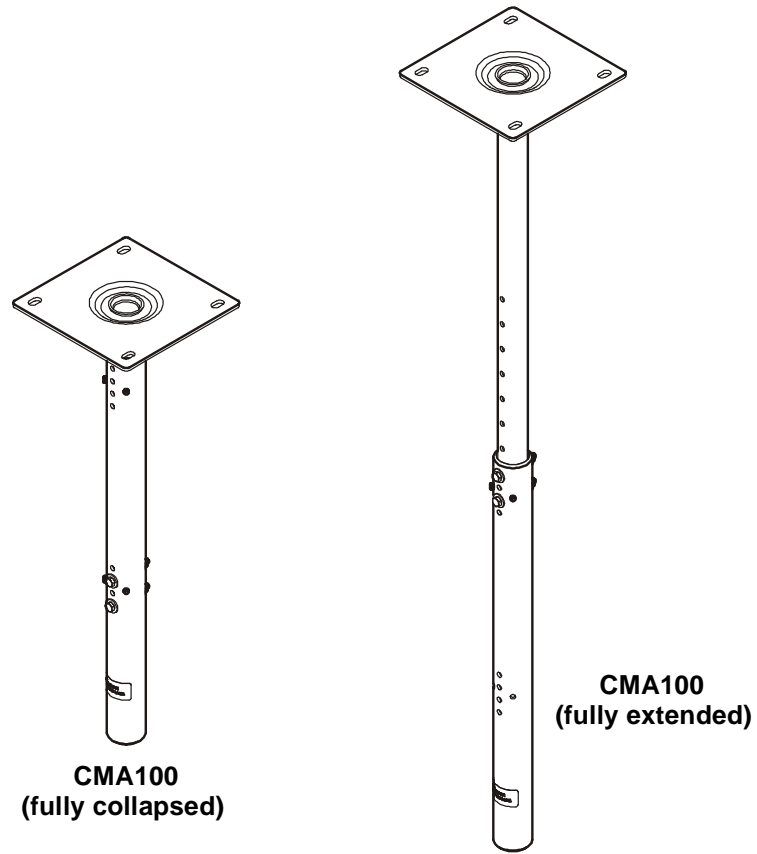

INSTALLATION INSTRUCTIONS



Flat Ceiling Mount with Adjustable Column

DISCLAIMER

Milestone AV Technologies and its affiliated corporations and subsidiaries (collectively "Milestone"), intend to make this manual accurate and complete. However, Milestone makes no claim that the information contained herein covers all details, conditions or variations, nor does it provide for every possible contingency in connection with the installation or use of this product. The information contained in this document is subject to change without notice or obligation of any kind. Milestone makes no representation of warranty, expressed or implied, regarding the information contained herein. Milestone assumes no responsibility for accuracy, completeness or sufficiency of the information contained in this document.

Chief® is a registered trademark of Milestone AV Technologies. All rights reserved.



IMPORTANT SAFETY INSTRUCTIONS



WARNING: A WARNING alerts you to the possibility of serious injury or death if you do not follow the instructions.



CAUTION: A CAUTION alerts you to the possibility of damage or destruction of equipment if you do not follow the corresponding instructions.



WARNING: Failure to read, thoroughly understand, and follow all instructions can result in serious personal injury, damage to equipment, or voiding of factory warranty! It is the installer's responsibility to make sure all components are properly assembled and installed using the instructions provided.



WARNING: Failure to provide adequate structural strength for this component can result in serious personal injury or damage to equipment! It is the installer's responsibility to make sure the structure to which this component is attached can support five times the combined weight of all equipment. Reinforce the structure as required before installing the component.



WARNING: Exceeding the weight capacity can result in serious personal injury or damage to equipment! It is the installer's responsibility to make sure the combined weight of all components attached to the CMA100 does not exceed 500 lbs (226.8 kg).

- The weight capacity of the CMA100 may be LIMITED to the lowest weight capacity of any other component or accessory used within the mounting system.



WARNING: Use this mounting system only for its intended use as described in these instructions. Do not use attachments not recommended by the manufacturer.



WARNING: Never operate this mounting system if it is damaged. Return the mounting system to a service center for examination and repair.



WARNING: Do not use this product outdoors.



WARNING: Do NOT attach to vertical mounting surfaces such as walls or angled ceilings!

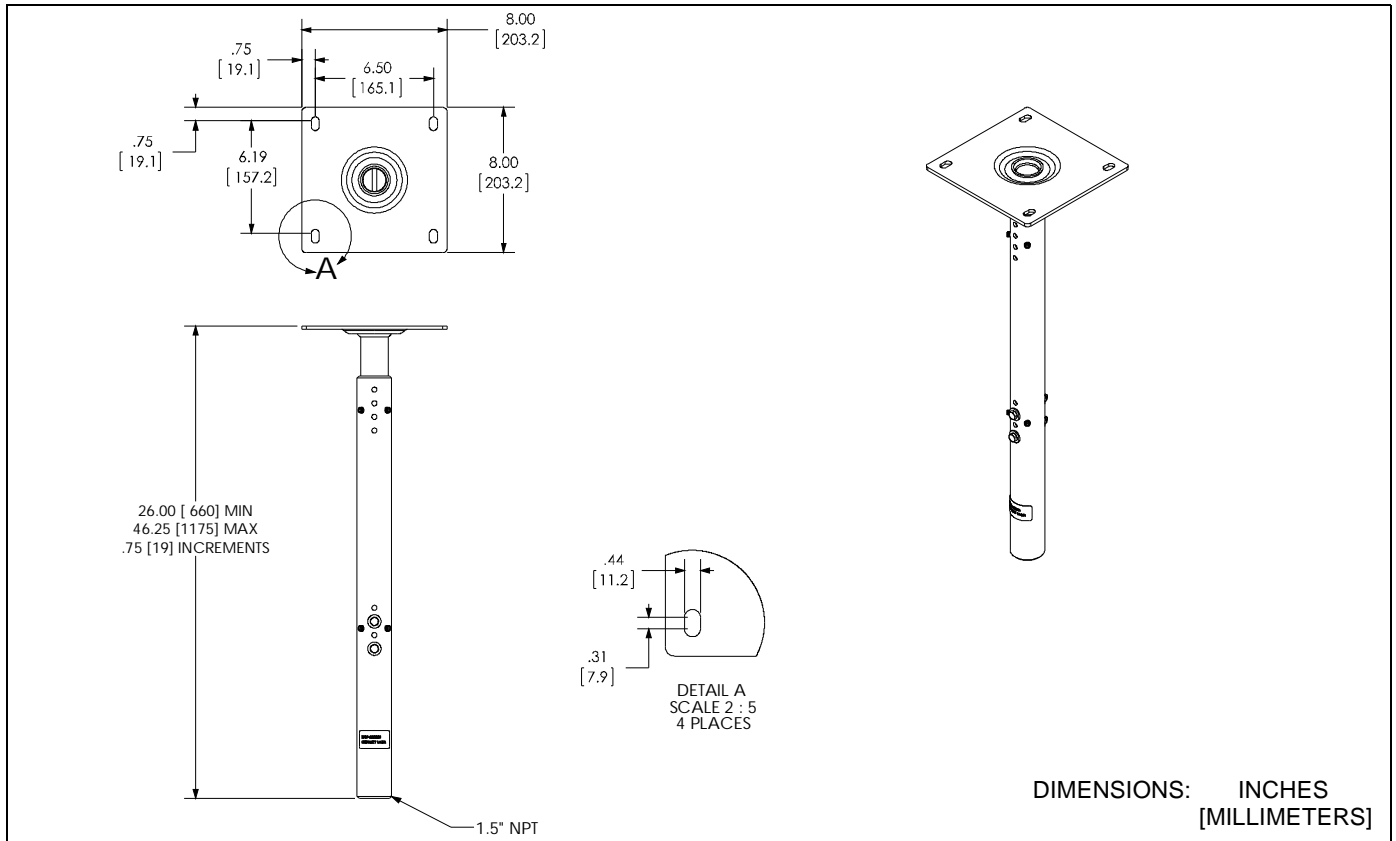
IMPORTANT ! : The CMA100 mount is designed to be:

- mounted to a double 2" x 4" wood framework ceiling;
- mounted to an 8" concrete ceiling.

NOTE: The CMA100 mount is UL Listed for use with all UL Listed Chief products and accessories specified for use with 1-1/2" NPT following ANSI/ASME B1.20.1 (Schedule 40, 0.154" minimum thickness steel or aluminum - ASTM B221) threaded extension columns.



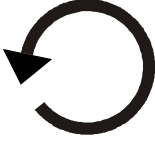


--SAVE THESE INSTRUCTIONS--

DIMENSIONS

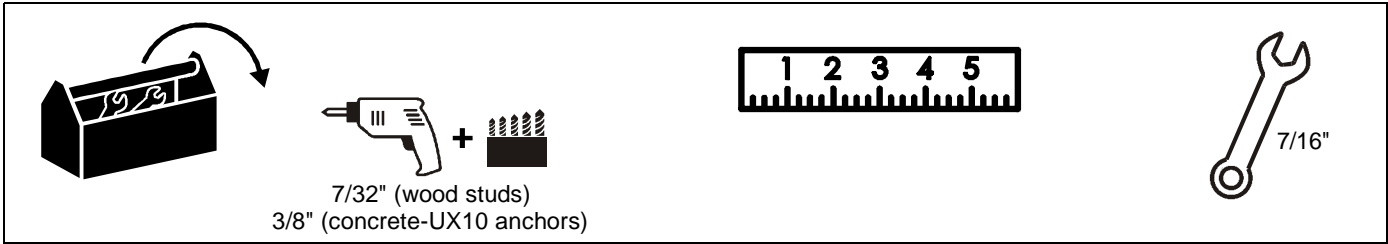


DIMENSIONS: INCHES [MILLIMETERS]

LEGEND

	<p>Tighten Fastener</p> <p>Apretar elemento de fijación</p> <p>Befestigungsteil festziehen</p> <p>Apertar fixador</p> <p>Serrare il fissaggio</p> <p>Bevestiging vastdraaien</p> <p>Serrez les fixations</p>		<p>Hex-Head Wrench</p> <p>Llave de cabeza hexagonal</p> <p>Sechskantschlüssel</p> <p>Chave de cabeça sextavada</p> <p>Chiave esagonale</p> <p>Zeskantsleutel</p> <p>Clé à tête hexagonale</p>
	<p>Loosen Fastener</p> <p>Aflojar elemento de fijación</p> <p>Befestigungsteil lösen</p> <p>Desapertar fixador</p> <p>Allentare il fissaggio</p> <p>Bevestiging losdraaien</p> <p>Desserrez les fixations</p>		<p>Security Wrench</p> <p>Llave de seguridad</p> <p>Sicherheitsschlüssel</p> <p>Chave de segurança</p> <p>Chiave di sicurezza</p> <p>Veiligheidsleutel</p> <p>Clé de sécurité</p>
	<p>Open-Ended Wrench</p> <p>Llave de boca</p> <p>Gabelschlüssel</p> <p>Chave de bocas</p> <p>Chiave a punte aperte</p> <p>Steeksleutel</p> <p>Clé à fourche</p>		

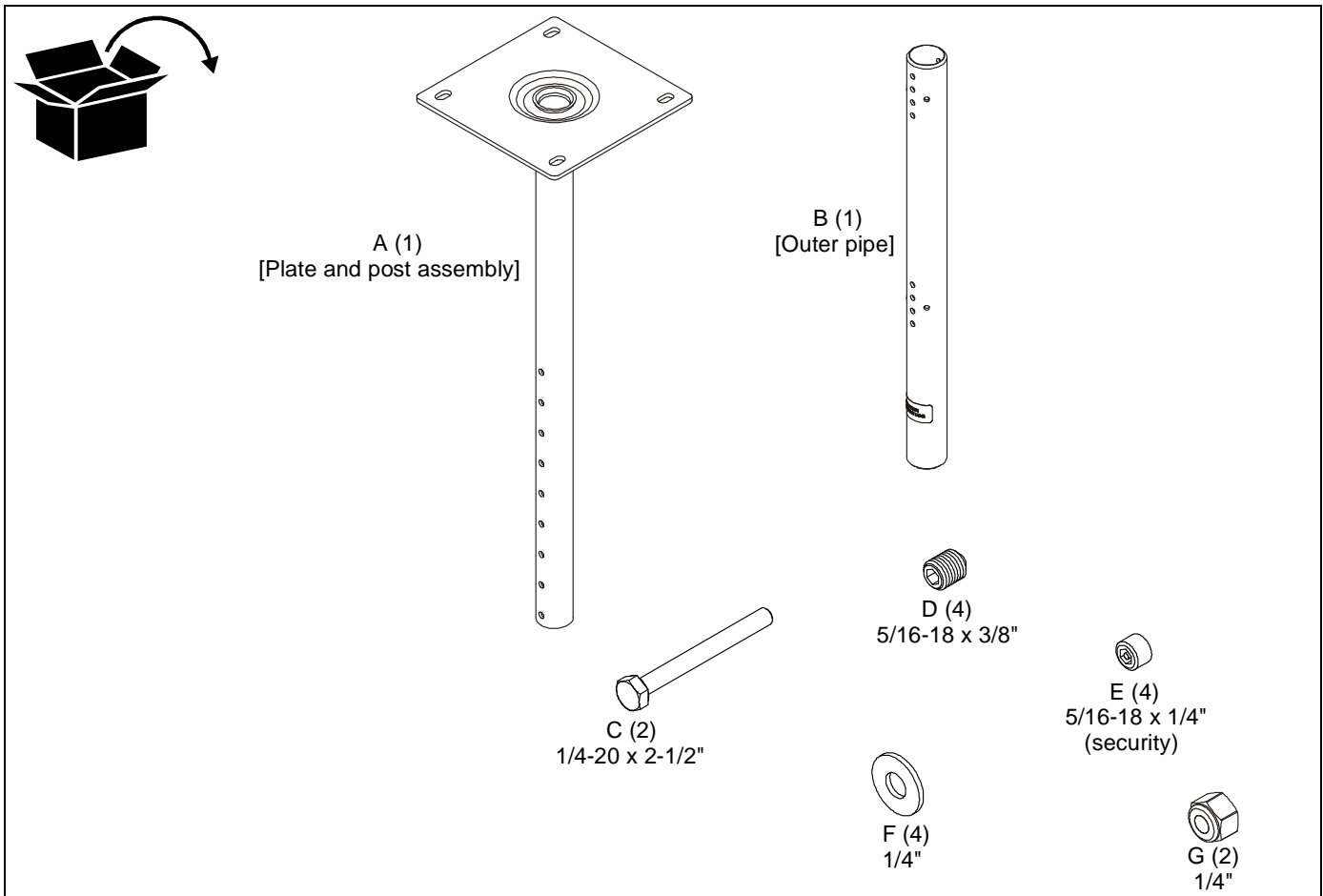
TOOLS REQUIRED FOR INSTALLATION



HARDWARE REQUIRED (NOT INCLUDED)--Dependent on installation method

- | | |
|--|---|
| <p>1. Install to wood ceiling joists</p> <ul style="list-style-type: none"> • 5/16" x 2-1/2" (minimum length) Grade 2 lag screws (Qty. 4) • 5/16" Grade 2 flat washers (Qty. 4) | <p>2. Install to solid concrete</p> <ul style="list-style-type: none"> • Fischer UX10 or Toggler AF8 anchors (Qty. 4) • 5/16" Grade 2 flat washers (Qty. 4) • 5/16" x 2-1/2" Grade 2 bolts (Qty. 4) |
|--|---|

PARTS



INSTALLATION AND ASSEMBLY

The CMA100 is designed for attachment to a double 2" x 4" wood framework ceiling, or an 8" concrete ceiling, and provides vertical adjustments in 3/4" increments.



WARNING: IMPROPER INSTALLATION CAN LEAD TO LIFT FALLING CAUSING SEVERE PERSONAL INJURY OR DAMAGE TO EQUIPMENT! It is the installer's responsibility to make certain the structure to which the mount is being attached is capable of supporting five times the weight of the CMA100 and all attached equipment. Reinforce the structure as required before installing the mount.

NOTE: The following instructions assume a suitable mounting structure and surface exists prior to installation.

Installing to a Wood Framework (Joists)

NOTE: The CMA100 is designed to be mounted to double 2" x 4" wood stud cross bracing (6-1/2" on center) between two ceiling joists with a maximum drywall covering of 5/8".

- Using plate and post assembly (A) as a template, mark locations of four pilot holes (See Figure 1). Ensure the marks are in the center of wood joists.

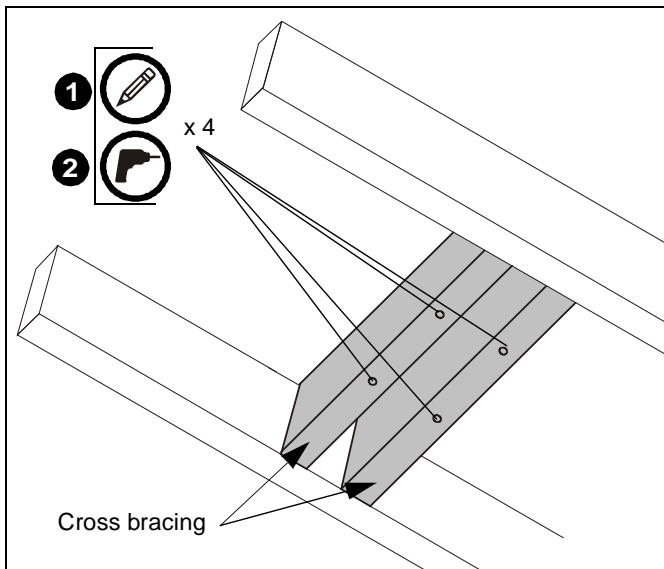


Figure 1

- Drill 7/32" diameter pilot holes into wood stud cross bracing. (See Figure 1) Ensure pilot holes are straight.
- Install and tighten four 5/16" x 2-1/2" (minimum) lag screws (not included) through 5/16" washers (not included) plate and post assembly (A), into wood stud cross bracing. (See Figure 2) (See Figure 3) for dimensions details.

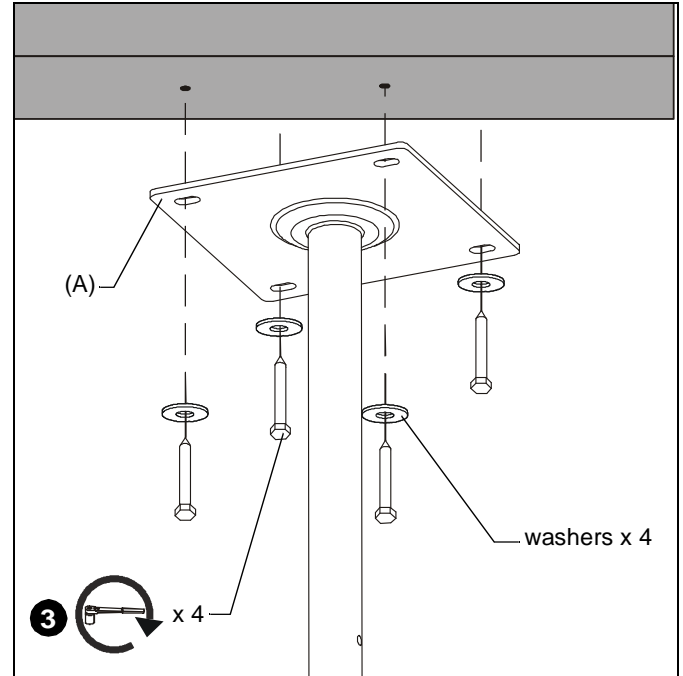


Figure 2

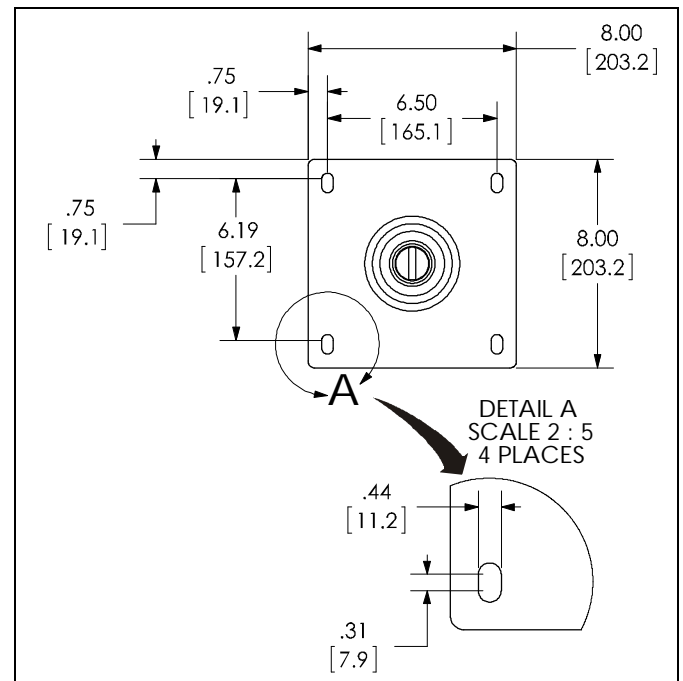


Figure 3

Installing to a Solid Concrete Ceiling



WARNING: The CMA100 is designed to be mounted to a concrete ceiling with a minimum thickness of 8" and a maximum drywall covering of 5/8".



WARNING: Fischer UX10 or Toggler AF8 anchors (not included) must be installed into structurally sound solid concrete. Installation into hollow concrete block, mortar, or concrete that exhibits cracking, spalling, or other defects may result in failure of anchor and serious personal injury or damage to equipment.

1. Using plate and post assembly (A) as a template, mark locations of four pilot holes on ceiling.
2. Drill pilot holes at marked locations. If using UX10 anchors, pilot hole diameter will be 3/8". If using AF8 anchors, pilot hole diameter will be 5/16".
3. Install four UX10 or AF8 anchors (not provided) to secure into solid concrete ceiling. (See Figure 3) for dimensions details.
4. Place CMA100 over anchors, aligning bolt holes in CMA100 with installed anchors.
5. Secure CMA100 to ceiling by installing four 5/16" x 2-1/2" bolts (not provided) through four 5/16" flat washers (not provided) and into anchors.

Assembling CMA100

1. Slide the outer pipe (B) over the installed plate and post assembly (A).
2. Adjust the outer pipe (B) to the desired length.
3. Fasten outer pipe (B) to installed plate and post assembly (A) at desired length using two 1/4-20 x 2-1/2" hex head cap screws (C), four 1/4" washers (F) and two 1/4" locknuts (G). (See Figure 4)

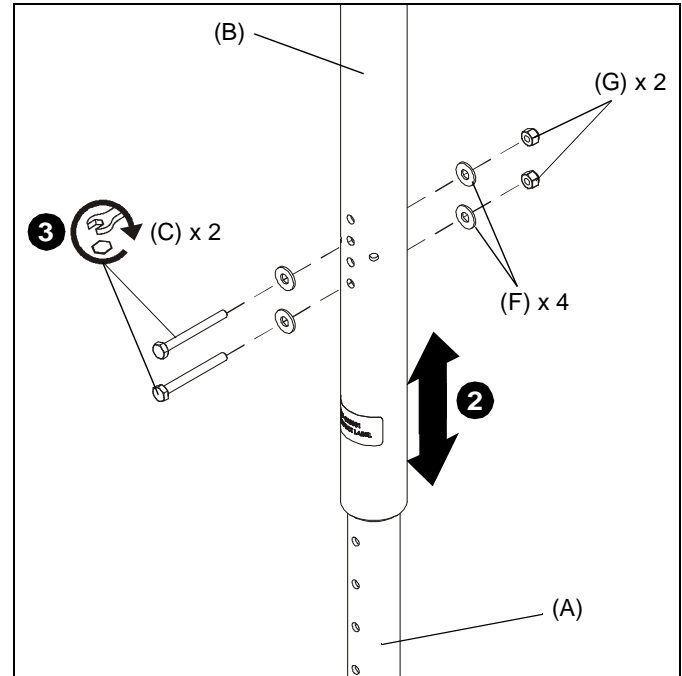


Figure 4

4. Install four 5/16-18 x 3/8" set screws (D) into offset holes near the bolt holes used in Step 3. (See Figure 5)

NOTE: Four 5/16-18 x 1/4" security set screws (E) may be used instead of the 5/16-18 x 3/8" set screws (D).

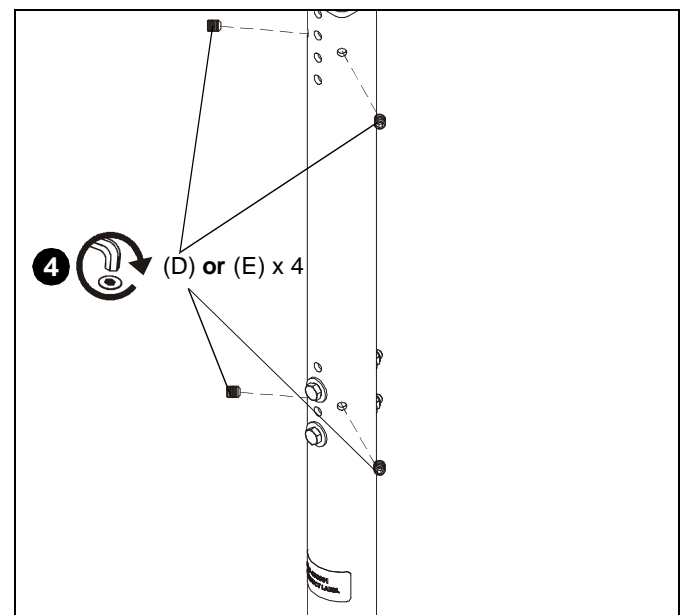


Figure 5

5. Install and secure UL Listed projector/display mount (not included) to lower end of column (B) following instructions included with mount.



Our Mounts. **Your Vision.**

Chief, a products division of
Milestone AV Technologies

8800-002516 Rev00
©2014 Milestone AV Technologies
www.chiefmfg.com
03/14

USA/International	A 6436 City West Parkway, Eden Prairie, MN 55344 P 800.582.6480 / 952.225.6000 F 877.894.6918 / 952.894.6918
Europe	A Franklinstraat 14, 6003 DK Weert, Netherlands P +31 (0) 495 580 852 F +31 (0) 495 580 845
Asia Pacific	A Office No. 1 on 12/F, Shatin Galleria 18-24 Shan Mei Street Fotan, Shatin, Hong Kong P 852 2145 4099 F 852 2145 4477

