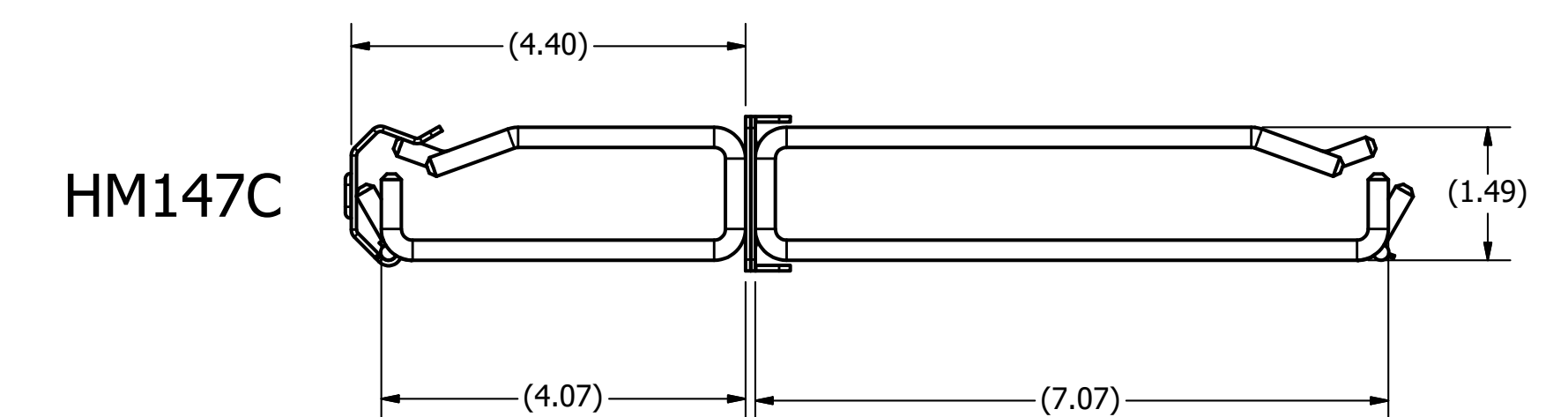
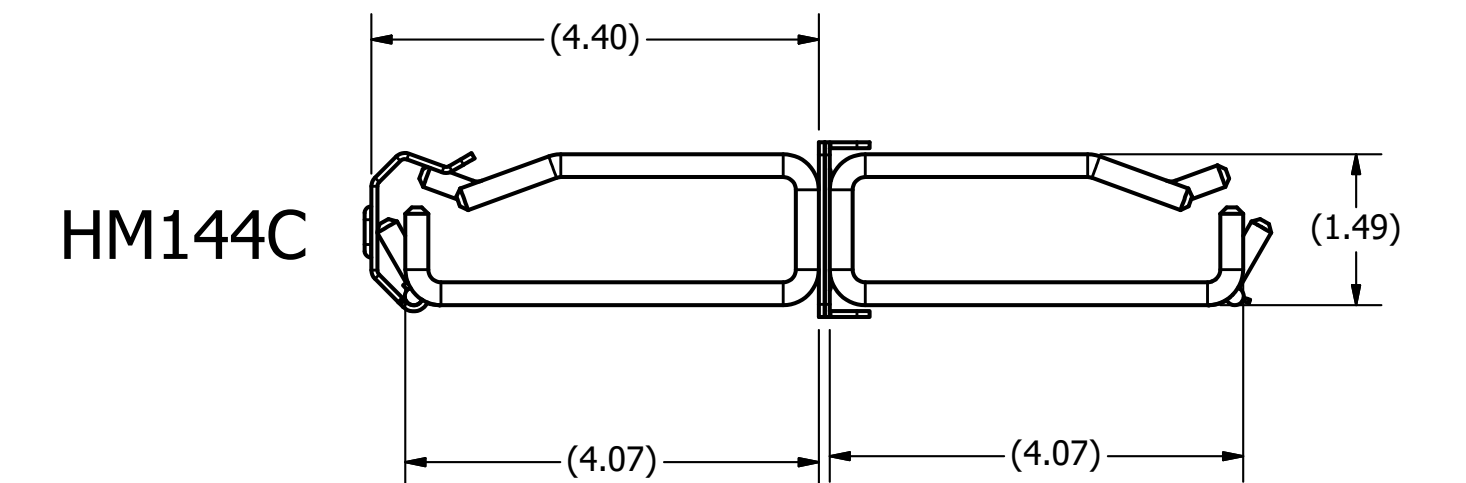
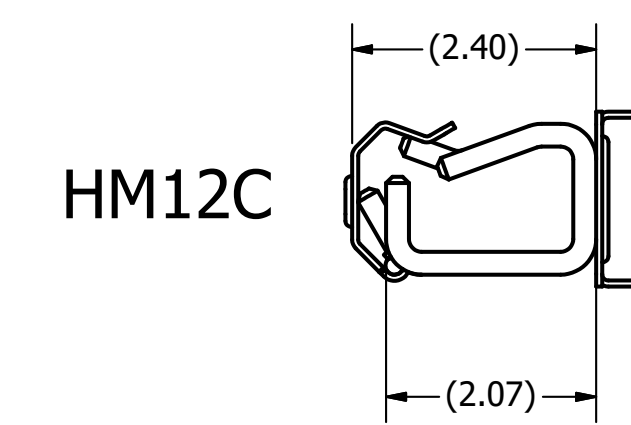
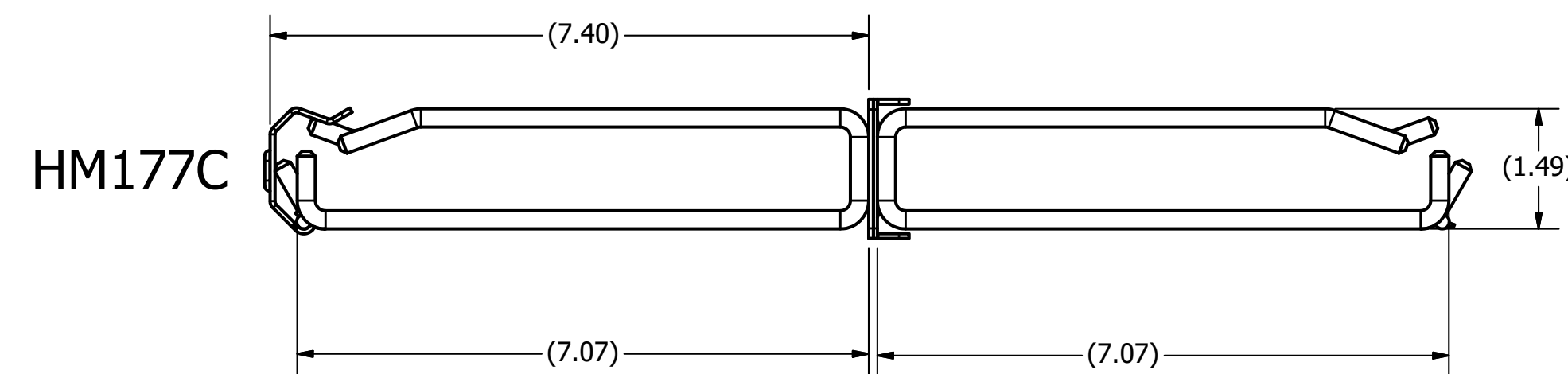
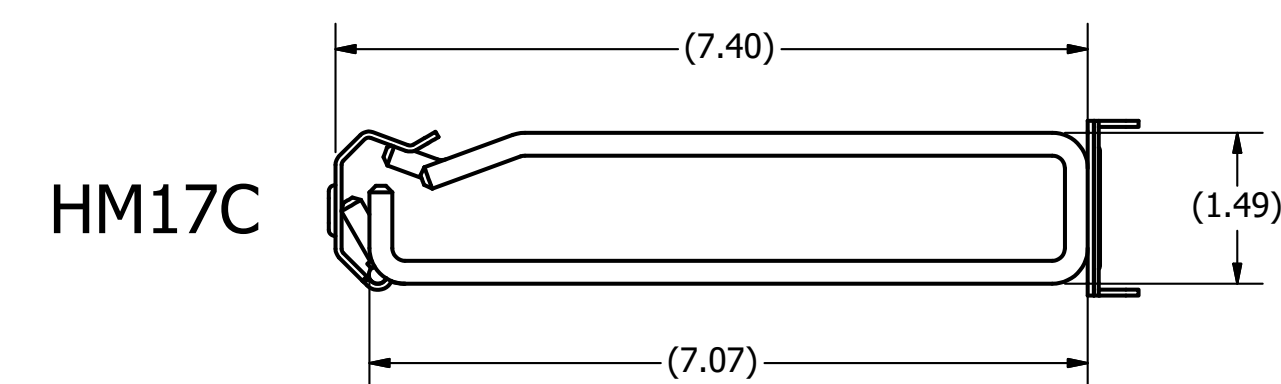
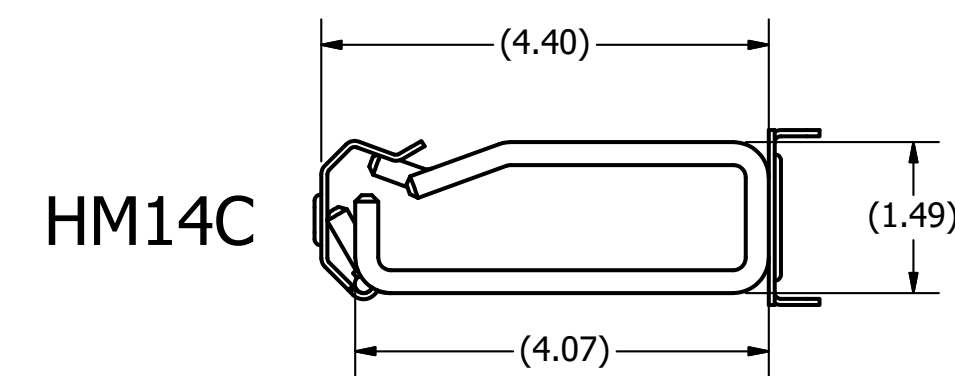
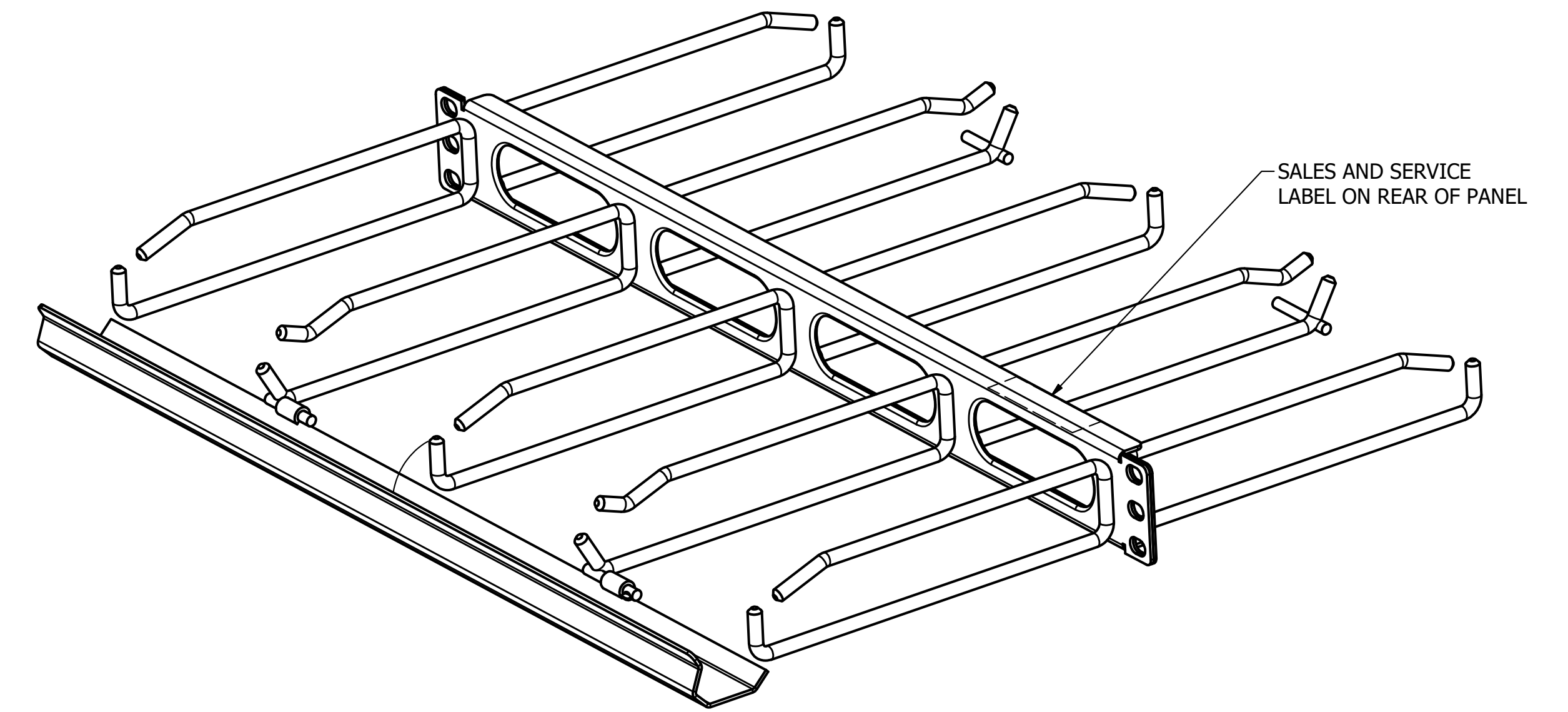
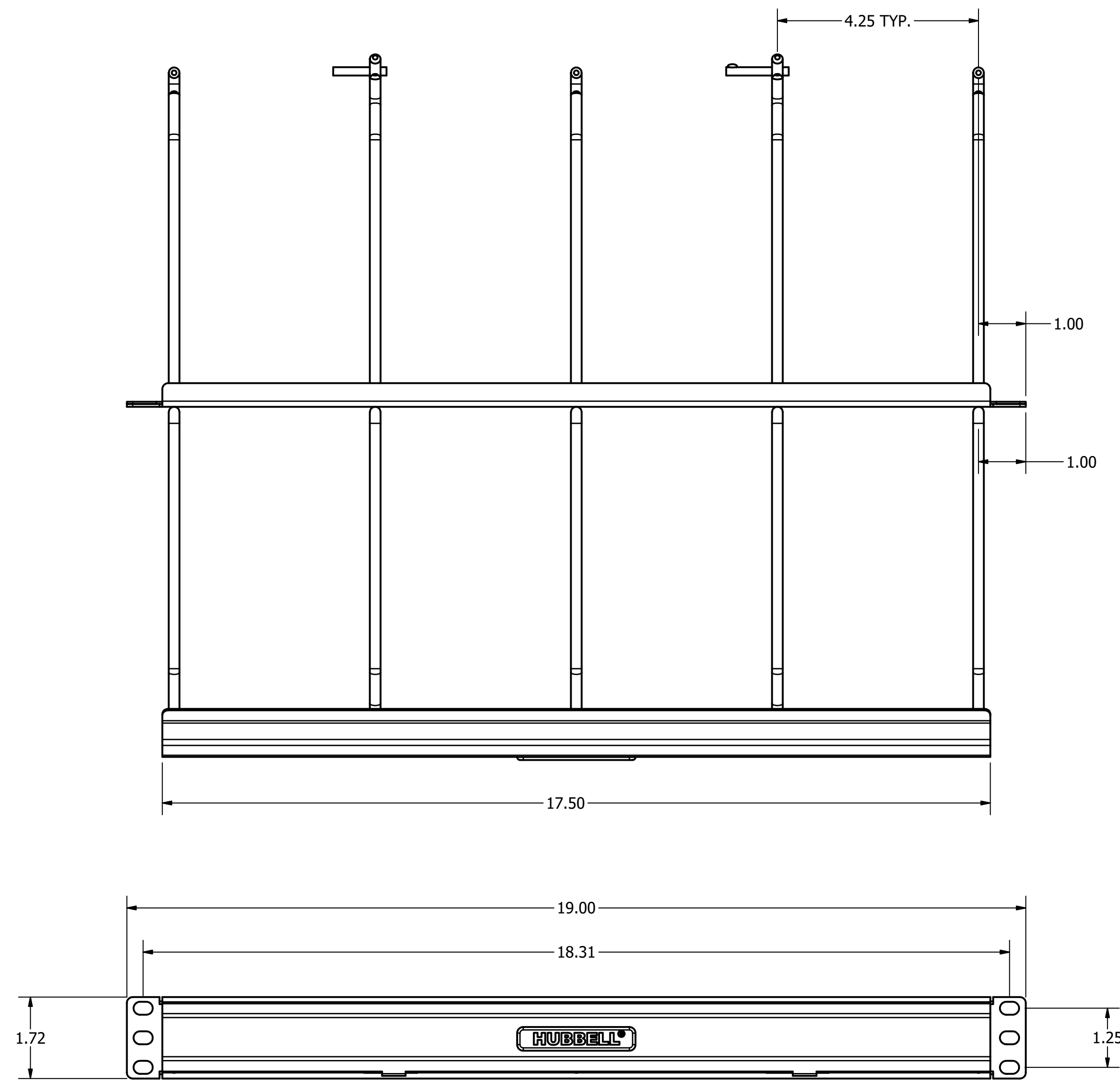


CATALOG	DESCRIPTION	COLOR
HM14	HRZ MGR,1U,4" FR EXT,NO CVR,BLK	BLACK
HM14C	HRZ MGR,1U,4" FR EXT,WITH CVR,BLK	BLACK
HM17C	HRZ MGR,1U,7" FR EXT,WITH CVR,BLK	BLACK
HM177C	HRZ MGR,1U,7"EXT-F,7"EXT-R,WITH CVR,BLK	BLACK
HM12C	HRZ MGR,1U,2" FR EXT,WITH CVR,BLK	BLACK
HM144C	HRZ CBL MGR,M SER,1U,4"EXT,4"RR,CVR,BLK	BLACK
HM147C	HRZ CBL MGR,M SER,1U,4"EXT,7"RR,CVR,BLK	BLACK



NOTES:

1. MATERIAL: COLD ROLLED STEEL
2. FINISH: POWDER COAT, SEE TABLE FOR COLOR
3. SPECIFICATIONS SUBJECT TO CHANGE WITHOUT NOTICE.

REV.	ECN	DATE	DESCRIPTION	CHG BY	APPD BY
5	23877	11/13/19	ADDED 2 VERSIONS	MMA	DO

Created on INVENTOR	DIMENSIONING AND TOLERANCE PER ANSI Y14.5M-1982 UNLESS OTHERWISE SPECIFIED, DIMENSIONS ARE IN INCHES (MM). TOLERANCES: .XX = ±.01 (.25) .XXX = ±.005 (.127) .XXXX = ±.0025 (.0635) ANGLE TOL ±1°		PROJECT REFERENCE: 2012-014		Hubbell Premise Wiring HUBBELL INCORPORATED (Delaware) 23 CLARA DRIVE, SUITE 103 MYSTIC, CT 06355	
	IN ACCEPTING OUR DRAWINGS, BLUEPRINTS, OR SUPPORTING DOCUMENTATION FOR QUOTATION OR OTHER PURPOSES, YOU AGREE NOT TO DISCLOSE TO OTHERS THE IDEAS, INFORMATION, OR DESIGNS SHOWN HEREIN, AND THAT YOU WILL MAKE NO USE OF SAME WITHOUT PERMISSION		MATERIAL:			TITLE: 1U HM HORIZONTAL ORGANIZER
	DRAWN BY: D.O'CONNOR 8/11/14		CHECKED BY:		SIZE D	DRAWING NO. HWS14421C
	APPROVED BY:		SCALE:		SHEET 1 OF 1	REV. 5