

# Grounding & Bonding

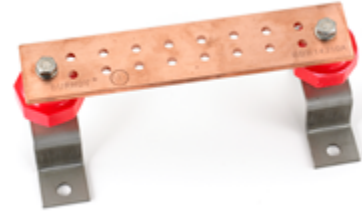
## Bus Bar

### Wall Mounted

# HUBBELL

#### Features

- Telecommunications Bonding Bus bars offer a convenient and organized bonding surface for collecting stray electrical currents
- Mounting holes are predrilled or tapped for matching with lugs



#### Ordering Information

Style	Mounting	Catalog Number	UPC Number
TGB	Surface Mount TR	HBBB14210A	662620303673

#### Listings

UL  
TIA-607 Compliant

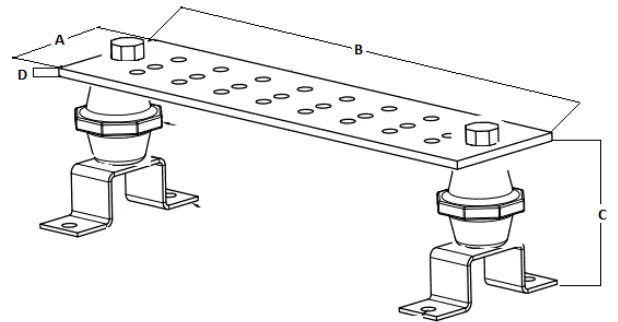
#### Specifications

Material	Copper
Finish	Copper
Insulator	600V

#### Characteristics

##### Installation

D-Lug Mount Quantity 8



#### Accessories

12' Conductor	HGRKTD144D
20' Conductor	HGRKTX240D
30' Conductor	HGRKTX360D
Ladder Bracket	HGBTEBCBRKL10
Wire Tray Bracket	HGBTEBCBRKW10

#### Dimensions- inches (mm)

A	2" (51)
B	10" (254)
C	3.75" (95)
D	0.25" (6)

#### Online Resources

Brochure  
Customer Drawing  
eCatalog