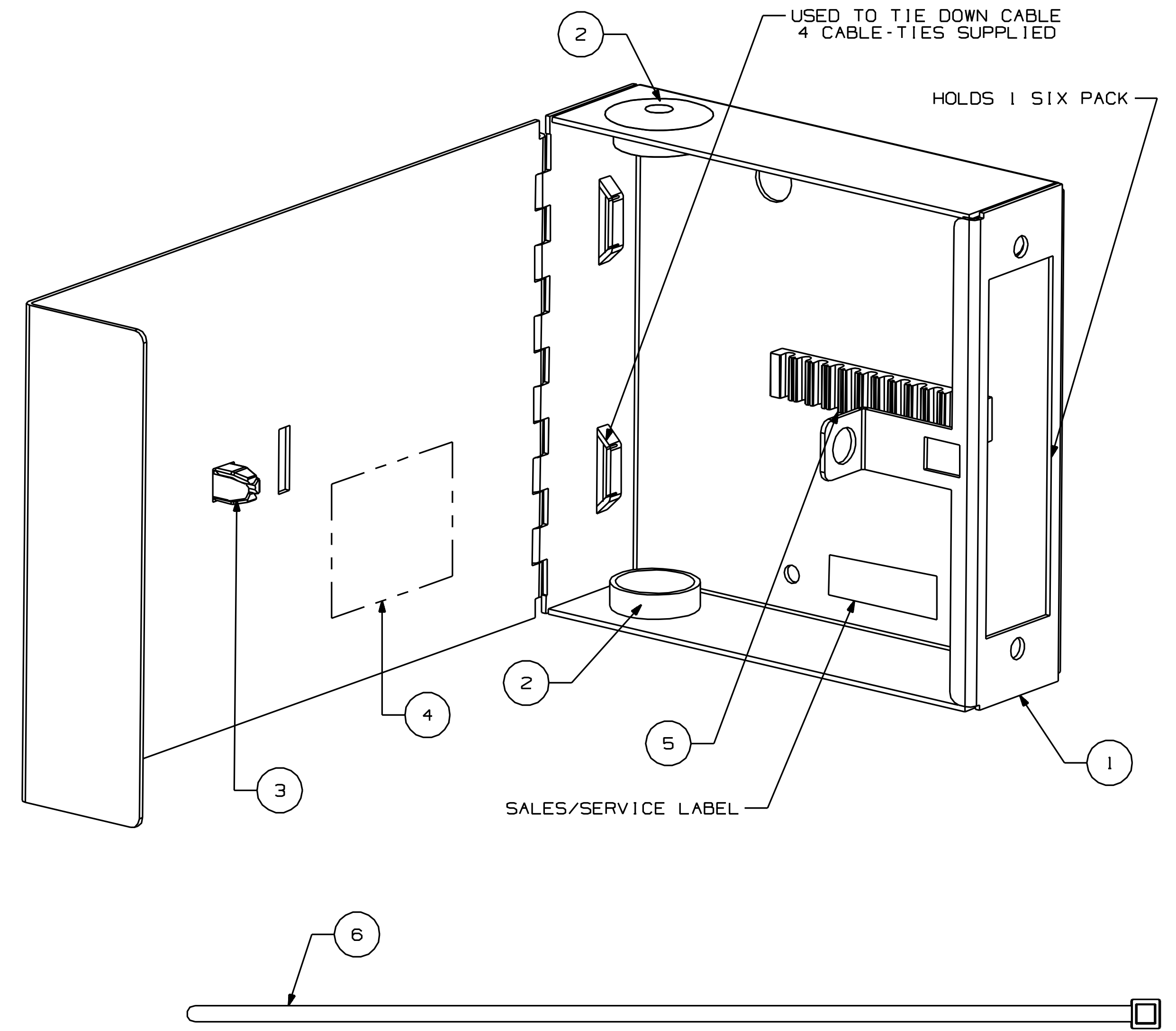
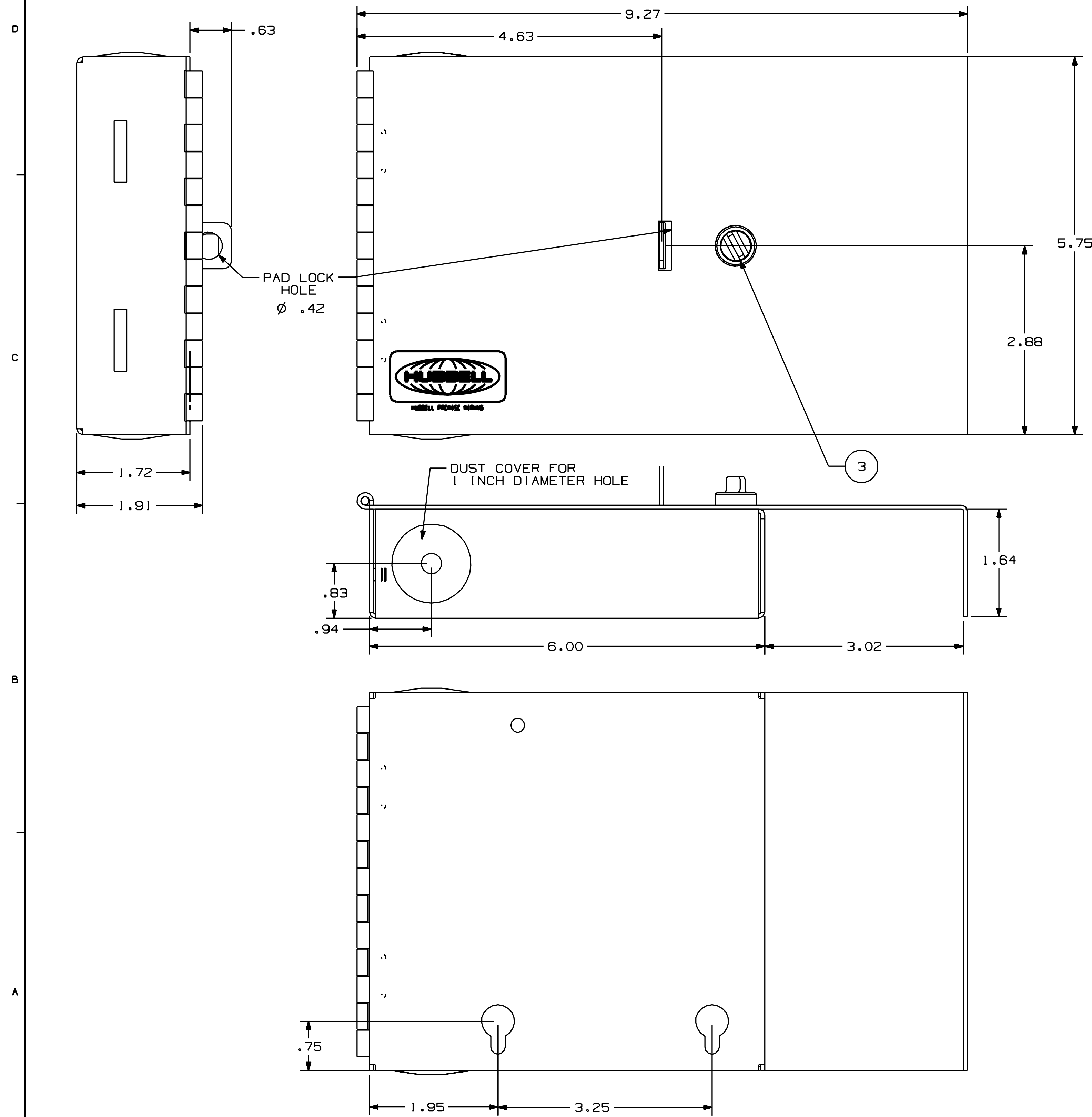


| ITEM NUMBER | DESCRIPTION | QTY |
|-------------|----------------------------------|-----|
| 1 | ENCLOSURE | 1 |
| 2 | DUST CAP, 1 INCH DIA HOLE, BLACK | 2 |
| 3 | FINGER PULL | 1 |
| 4 | DANGER LABEL | 1 |
| 5 | SPLICE HOLDER, FUSION | 1 |
| 6 | 10" WIRE TIE WRAP, BLACK | 4 |

| CATALOG NUMBER | DESCRIPTION |
|----------------|------------------------------------|
| FTUISP | FTU WALL MOUNT CABINET SINGLE DOOR |



NOTE:
 UNLESS OTHERWISE SPECIFIED
 1. SPECIFICATIONS SUBJECT TO CHANGE WITHOUT NOTICE.
 2. SURFACE FINISH POWDER COAT, BLACK.

| REV. | ECN | DATE | DESCRIPTION | CHG BY | APPD BY |
|------|------|----------|---|--------|---------|
| B | 6342 | 04/07/08 | CHANGED LOCK METHOD, UPDATED CABLE MANAGEMENT | BTM | |
| A | 6296 | 02/01/08 | INITIAL RELEASE | NJR | MMA |

Created on AUTOCAD

DIMENSIONING AND TOLERANCING PER ANSI Y14.5M-1982. UNLESS OTHERWISE SPECIFIED, DIMENSIONS ARE IN INCHES (MM). TOLERANCES
 .X = ±.03 (±.8)
 .XX = ±.02 (±.4)
 .XXX = ±.01 (±.25)
 ANGLE TOL ±1°

IN ACCEPTING OUR DRAWINGS, BLUEPRINTS, OR SUPPORTING DOCUMENTATION FOR QUOTATION OR OTHER PURPOSES, YOU AGREE NOT TO DISCLOSE TO OTHERS THE IDEAS, INFORMATION, OR DESIGNS SHOWN HEREIN, AND THAT YOU WILL MAKE NO USE OF SAME WITHOUT PERMISSION.

COMPONENTS CONTAINED IN THIS DOCUMENT MUST ADHERE TO ENVIRONMENTAL SPEC. HWS12367

| | |
|------------------------------------|--|
| PROJECT REFERENCE: 004-08 | Hubbell Premise Wiring HUBBELL INCORPORATED (Delaware) 14 Lord's Hill Road, Stonington, Connecticut 06378 |
| MATERIAL: SEE COMPONENTS | |
| DRAWN BY: N.RICHARDS 01/30/08 | TITLE: FTUISP - BOX ASSEMBLY |
| CHECKED BY: C DUSSAULT 02/01/08 | SIZE: D DRAWING NO. HWS12645C |
| APPROVED BY: M M ABBY 02/01/08 | SCALE: NONE SHEET 1 OF 1 |

B