

MOD-CPC(-W)

# Cathedral Ceiling Plate

For Modular Series Flat Panel Display and Projector Mounts

The Peerless-AV Modular Mounts Line features a full range of products that can fulfill multiple requirements from a limited number of SKUs. With the universality of the components, configure your own perfect custom flat-panel display or projector mounting solution for any application.

The Modular Mount Line was developed with the professional AV installer in mind. Designed around a 2" (50mm) diameter pole, the line is ideal for new projects as well as for upgrading existing installations.

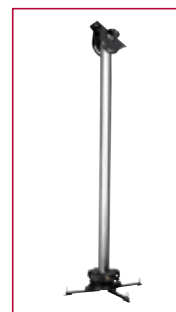
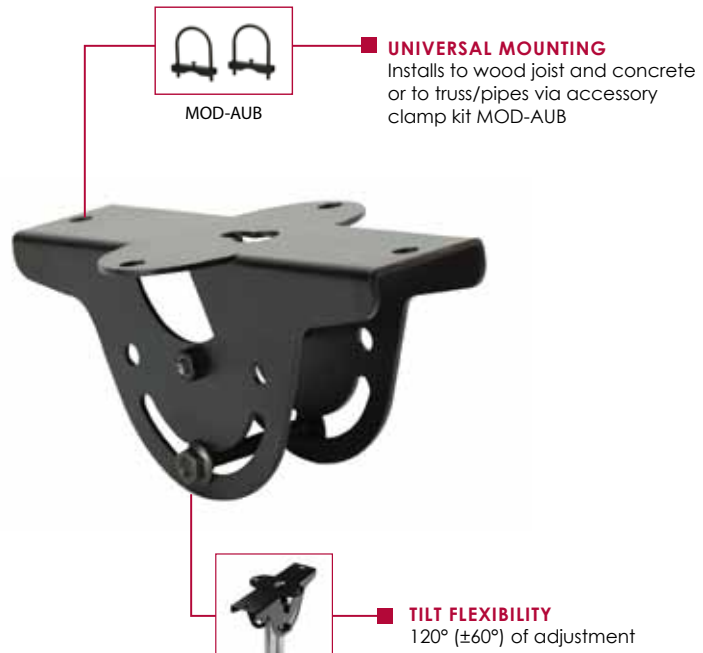
The MOD-CPC provides a solution for mounting direct to concrete and wood joists, accommodating for angled ceiling installations.



Max load: 264lb (119.7kg)

## FEATURES

- Cathedral ceiling plate can be angled up to  $\pm 60^\circ$  for use with vaulted or sloping ceilings
- Mounts to concrete and wood joist ceilings
- 264lb (119.7kg) max weight capacity



Shown with  
Modular Series  
Projector Mount



Shown with  
Modular Series  
Flat Panel Mount



**MOD-CPC(-W)** Cathedral Ceiling Plate for Modular Series Flat Panel Display and Projector Mounts

**Product Specifications**

	DIMENSIONS (W x H x D)	PRODUCT WEIGHT	LOAD CAPACITY	FINISH	AVAILABLE COLORS
<b>MOD-CPC(-W)</b>	8.85" x 4.64" x 3.93" (225 x 118 x 100mm)	1.5lb (0.6kg)	264lb (119.7kg)	Power coat	MOD-CPC: Black MOD-CPC-W: White

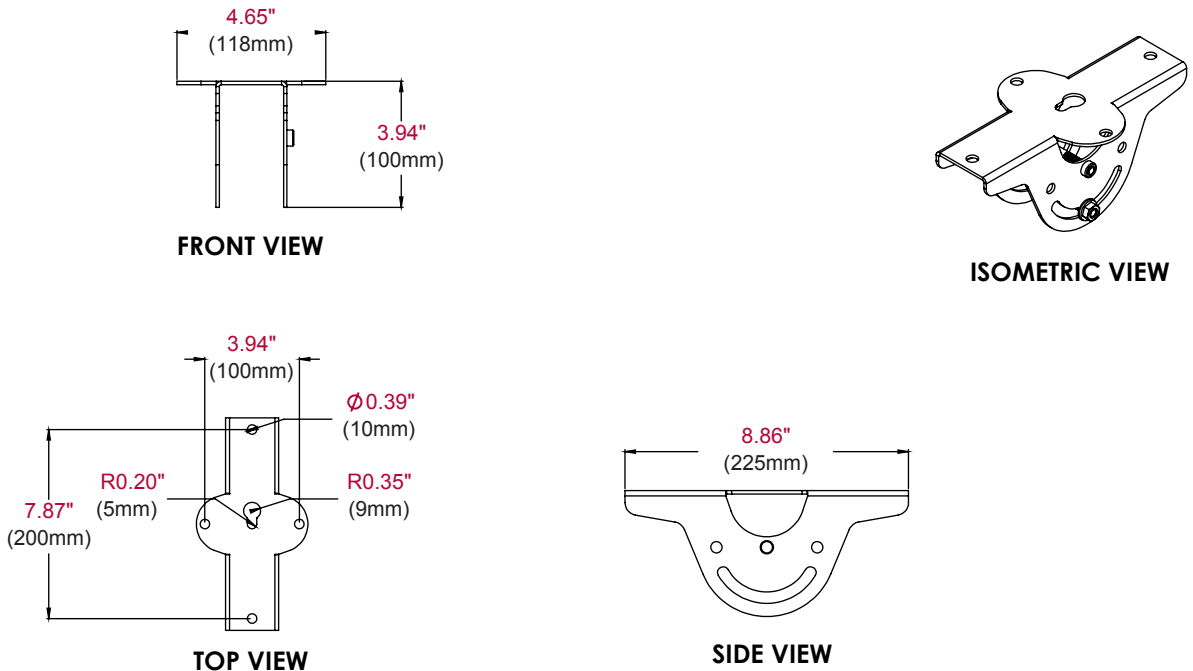
**Package Specifications**

	PACKAGE SIZE (W x H x D)	PACKAGE SHIP WEIGHT	PACKAGE UPC CODE	PACKAGE CONTENTS	UNITS IN PACKAGE
<b>MOD-CPC(-W)</b>	9.62" x 6.25" x 6.00" (244 x 158 x 152mm)	2.5lb (1.1kg)	MOD-CPC: 73502926994 MOD-CPC-W: 73502927010	Cathedral ceiling plate, mounting hardware	1

**Accessories**

- MOD-ACF(-W):** Accessory Cover for MOD-CPF Ceiling Plate
- MOD-ADF:** Accessory Drill Fixture for 50mm Pole
- MOD-APC:** Accessory Pole Coupler
- MOD-APRG(-W):** Accessory Projector Adaptor, PRG Mount
- MOD-APRS(-W):** Accessory Projector Adaptor, PRS Mount
- MOD-ASC:** Accessory Display-Stacking Clamp
- MOD-ATD-W:** Accessory Trim Disc
- MOD-AUB:** Accessory U-Bolt Adaptor
- MOD-CPF:** Square Ceiling Plate, Flat (7.4" x 6.8")
- MOD-CPI:** I-Beam Ceiling Plate, Flat
- MOD-FPMD:** Flat Panel Mount, Dual Back-To-Back
- MOD-FPMS(-W):** Flat Panel Mount, Single
- MOD-P100(-B):** 50mm Extension Pole - 39" (1.0m)
- MOD-P150(-B):** 50mm Extension Pole - 59" (1.5m)
- MOD-P200(-B):** 50mm Extension Pole - 78" (2.0m)
- MOD-P300(-B):** 50mm Extension Pole - 118" (3.0m)
- MOD-UNL:** Universal Display Adaptor, Large
- MOD-UNM:** Universal Display Adaptor, Medium

All dimensions = inch (mm)



**ARCHITECTS SPECIFICATIONS**

The Cathedral Ceiling Plate shall be a Peerless-AV model MOD-CPC and shall be located where indicated on the plans. Assembly and installation shall be done according to instructions provided by the manufacturer.