

Note: The patch panel model may be different than the one shown in the example illustrations.

Quick Installation Guide

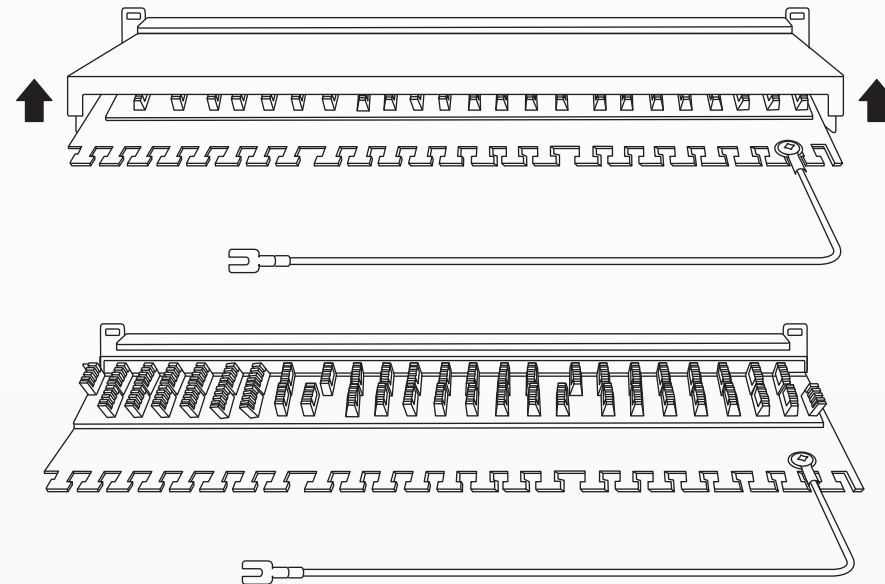
24-Port Cat6A Shielded 1U Patch Panel
TC-P24C6AS

24-Port Cat6A Shielded Half-U Patch Panel
TC-P24C6AHS

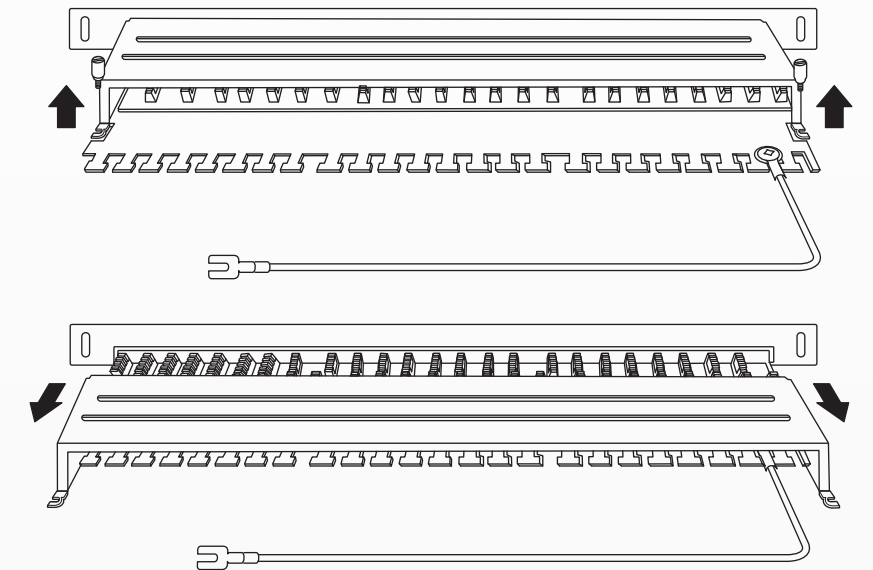
16-Port Cat6A Shielded 1U Patch Panel
TC-P16C6AS

1

1U Patch Panel: Lift left and right sides of the metal cover up as shown to remove.

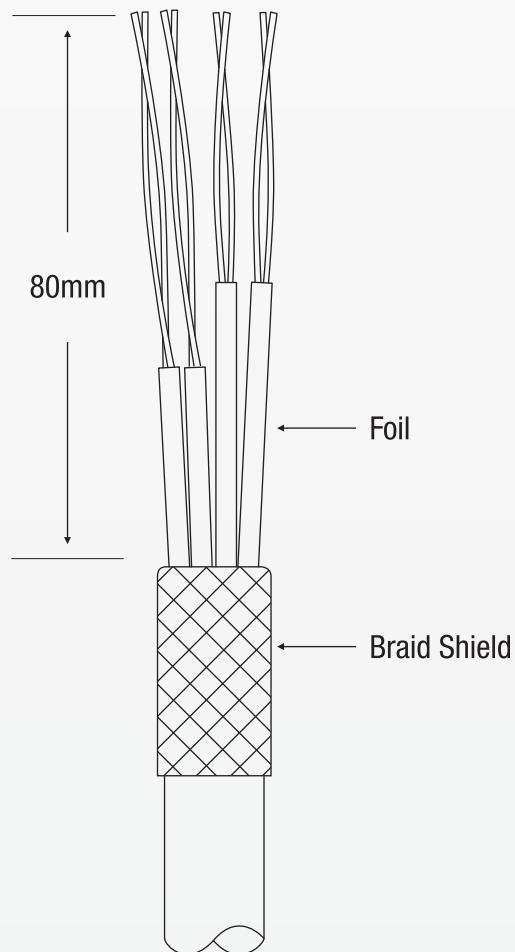


Half-U Patch Panel: Remove the cover screws. Lift left and right sides of the metal cover and slide the metal cover backwards as shown to remove.



2

Strip and remove 80mm of the Ethernet cable jacket. Fold Shielding back over jacket.

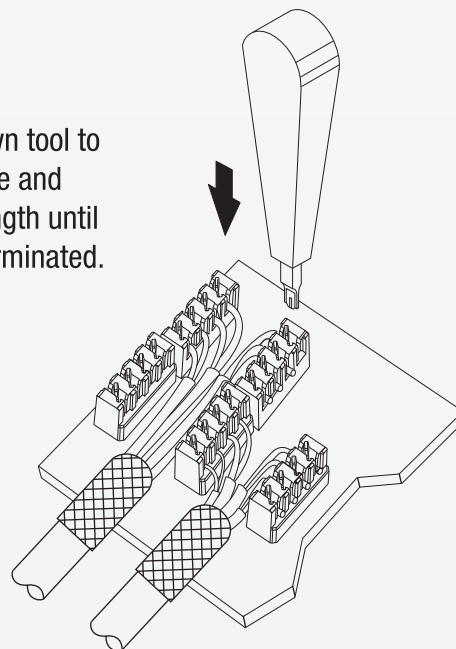


3

Layout the wires onto the patch panel based on the IDC color code. The IDC color codes can be found on the table below. (Reference the color codes labeled A for T568A. Reference the color codes labeled B for T568B)

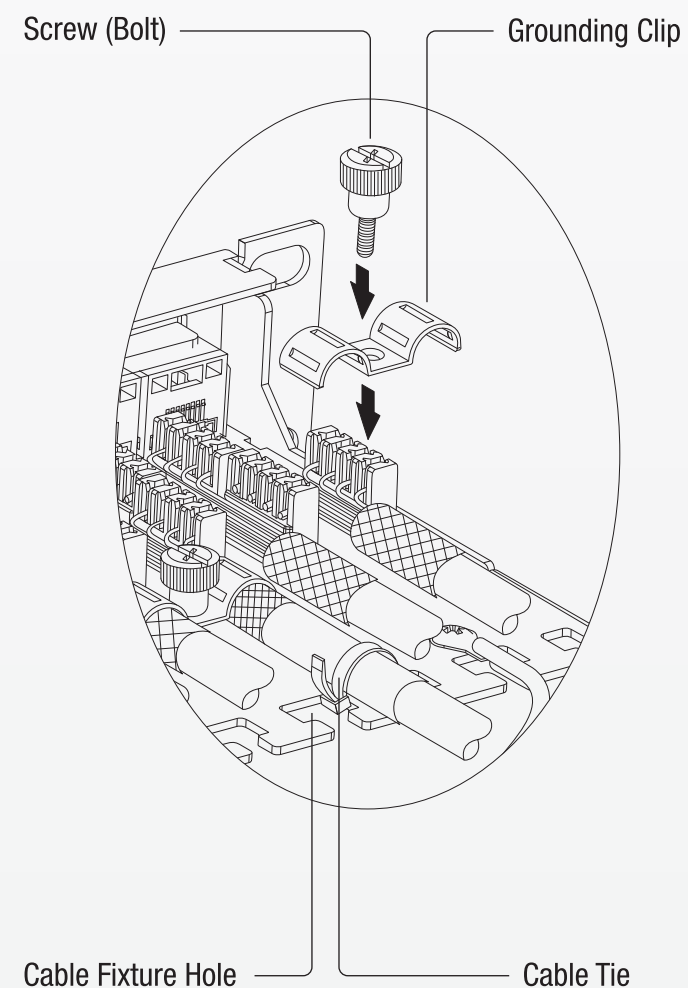
IDC Terminals	T568A Pair/Wire Color	T568B Pair/Wire Color
Pin 5 Pin 4	1 White/Blue Blue	1 White/Blue Blue
Pin 1 Pin 2	2 White/Green Green	2 White/Orange Orange
Pin 3 Pin 6	3 White/Orange Orange	3 White/Green Green
Pin 7 Pin 8	4 White/Brown Brown	4 White/Brown Brown

*Use punch down tool to press each wire and trim excess length until all pairs are terminated.



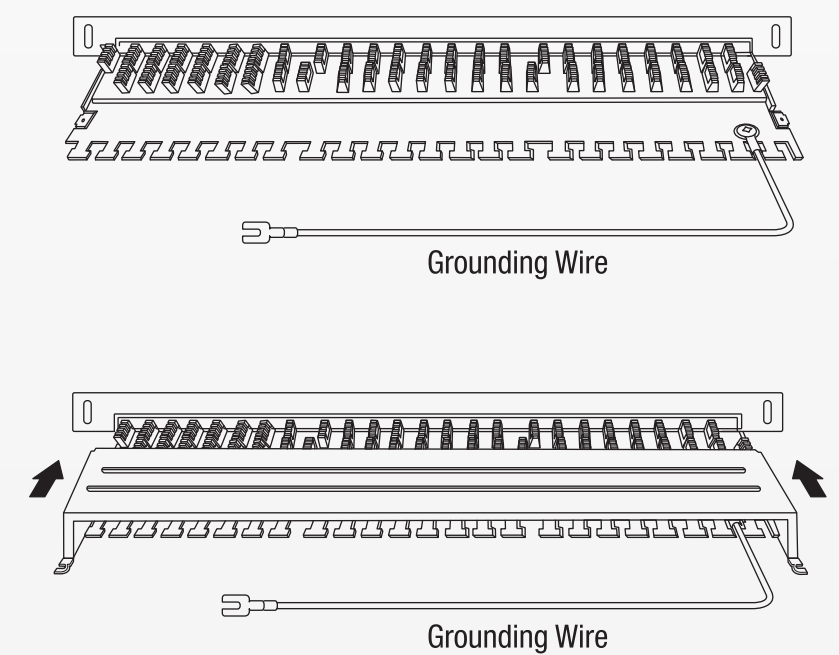
4

Place Grounding clip on the cables, screw on the bolt until the cables are fastened to secure grounding between cable and panel. Use supplied cable ties to tighten the cables. When finished replace the metal cover and finish the installation.



5

Connect ground wire to your grounding point and reattach the metal cover to complete the installation.



Declaration of Conformity

TRENDNET®

Manufacturer's Name and Address

TRENDnet, Inc.
20675 Manhattan Place
Torrance, CA 90501 USA

Zwolsestraat 156 2587 WB
The Hague The Netherlands



Product Information:

Model Number: TC-P24C6AS / TC-P24C6AHS / TC-P16C6AS

Product Name: 24-Port Cat6A Shielded 1U Patch Panel
24-Port Cat6A Shielded Half-U Patch Panel
16-Port Cat6A Shielded 1U Patch Panel

Trade Name: TRENDnet

TRENDnet hereby declares that the product is in compliance with the essential requirements and other relevant provisions under our sole responsibility.

This product is herewith confirmed to comply with the Directives.

Directives: Low Voltage Directive 2014/35/EU
RoHS Directive 2011/65/EU
REACH Regulation (EC) No. 1907/2006

Person responsible for this declaration.

Place of Issue: Torrance, California, USA

Date: November 07, 2018

Title: Director of Technology

Name: Sonny Su

Signature:



Déclaration de conformité

TRENDNET®

Nom et adresse du fabricant

TRENDnet, Inc.
20675 Manhattan Place
Torrance, CA 90501 USA

Zwolsestraat 156 2587 WB
The Hague The Netherlands



Détails du produit

Modèle: TC-P24C6AS / TC-P24C6AHS / TC-P16C6AS

Nom du produit: Panneau de raccordement protégé de Cat6A à 1U et 24 Ports
Panneau de raccordement protégé de Cat6A à demi-U et 24 Ports
Panneau de raccordement protégé de Cat6A à 1U et 16 Ports

Nom Commercial: TRENDnet

TRENDnet déclare par la présente que le produit est conforme aux exigences essentielles et aux autres dispositions pertinentes de la Directive en vertu de notre seule responsabilité.

Ce produit est conforme à la directives suivante.

Directives: Directive Basse Tension 2014/35/UE
Directive RoHS 2011/65/UE
REACH Règlement (CE) N° 1907/2006

Personne responsable de cette déclaration.

Lieu de délivrance: Torrance, California, USA

Date: 07 Novembre, 2018

Position: Director of Technology

Nom: Sonny Su

Signature:



Certifications

This device complies with Part 15 of the FCC Rules. Operation is subject to the following two conditions:

- (1) This device may not cause harmful interference.
- (2) This device must accept any interference received. Including interference that may cause undesired operation.



Waste electrical and electronic products must not be disposed of with household waste. Please recycle where facilities exist. Check with your Local Authority or Retailer for recycling advice.

Applies to PoE Products Only: This product is to be connected only to PoE networks without routing to the outside plant.

Note

The Manufacturer is not responsible for any radio or TV interference caused by unauthorized modifications to this equipment. Such modifications could void the user's authority to operate the equipment.

Advertencia

En todos nuestros equipos se mencionan claramente las características del adaptador de alimentación necesario para su funcionamiento. El uso de un adaptador distinto al mencionado puede producir daños físicos y/o daños al equipo conectado. El adaptador de alimentación debe operar con voltaje y frecuencia de la energía eléctrica domiciliar existente en el país o zona de instalación.

Technical Support

If you have any questions regarding the product installation, please contact our Technical Support.

Toll free US/Canada: **1-866-845-3673**

Regional phone numbers available at www.trendnet.com/support

TRENDnet

20675 Manhattan Place
Torrance, CA 90501
USA

Limited Warranty

TRENDnet warrants its products against defects in material and workmanship, under normal use and service. Specific warranty periods are listed on each of the respective product pages on the TRENDnet website.

Garantie Limitée

TRENDnet garantit ses produits contre les problèmes de matériel ou de fabrication, dans des conditions normales d'utilisation et de service. Les périodes de garanties précises sont mentionnées sur chacun des pages produits du site web de TRENDnet.

Eingeschränkte Garantie

TRENDnet gewährt eine Garantie für seine Produkte im Falle von Material- und Bearbeitungsdefekten, bei normaler Verwendung und Wartung. Spezielle Garantiezeiträume werden auf jeder Produktseite auf der Website von TRENDnet genannt.

Garantía limitada

TRENDnet garantiza que sus productos carecen de defectos en el material y la fabricación, en condiciones de uso y funcionamiento normales. Los periodos específicos de garantía figuran en cada una de las páginas de producto del sitio web de TRENDnet.

Ограниченная гарантия

Компания TRENDnet предоставляет гарантию на свои изделия от дефектов материалов и сборки при нормальном использовании и обслуживании. Конкретные гарантийные сроки указаны на странице каждого продукта на сайте компании TRENDnet.

Garantia Limitada

A TRENDnet garante seus produtos contra defeitos de material e mão de obra sob condições normais de uso e serviço. Os períodos de garantia específicos estão listados em cada uma das páginas dos respectivos produtos no site da TRENDnet.

Piiratud garantii

TRENDneti garantii hõlmab materjali- ja koostamisdefekte, mis ilmnevad toote tavapärase kasutamisel. Garantiaaja täpne pikkus konkreetsel tootel on leitud TRENDneti kodulehel vastava toote infolehel.

Garanzia limitata

TRENDnet garantisce i propri prodotti da difetti di materiali e manodopera, in condizioni di normale uso ed esercizio. I periodi di garanzia specifici sono elencati sulle rispettive pagine di prodotto sul sito TRENDnet.