



Electric Wall/Ceiling Projection Screen

TensionPro Series

User's Guide

Important Safety & Warning Precautions

Make sure to read this user's guide and follow the procedures below.

Caution: The screen's Black Top Drop is already set to its maximum drop distance. **There is NO extra Black Top Drop in the roller.** Please be aware of this as it will void your warranty with EliteProAV™. Unapproved changes or modifications (except for cutting the power cord for hardwire installations) to this unit are prohibited and will void your warranty. For more information, please contact our Technical Support Department at (877) 511-1211 Ext. 604.

- Please retain this user's guide for future reference.
- To avoid damaging the unit, do not use with any unauthorized accessories not recommended by the manufacturer.
- Handle the unit carefully during transportation to avoid any damages.
- To ensure safe and reliable operation, direct connection to a properly grounded power source is advised.
- The power outlet supplying power to the unit should be close to the unit and easily accessible.
- Do not install the unit on uneven or inclined surfaces.
- Do not put heavy objects on the power cord and position it properly to avoid creating a trip obstacle.
- Never overload the power cord to prevent an electric shock or fire due to a loose contact or a short circuit.
- There are not user serviceable parts in this unit. Do not attempt to disassemble this unit by yourself. No one except authorized technicians can open and make repairs to this unit.
- Make sure the power source of this unit is connected and has a continuous power flow.
- If there is need to use an extension cord, make sure the cord has an equal rating as the appliance to avoid overheat.
- Do not handle the power plug when your hands are wet or your feet are in contact with water.

Do not use this unit under the following circumstances.

- Disconnect the power cord under the conditions of heavy rain, wind, thunder or lightning.
- Avoid direct Sunshine, rain shower and moisture.
- Keep away from fire sources and high temperature to prevent this device from overheating.
- Cut off the power supply first before transportation or maintenance.
- Fully disconnect from the power supply when the unit is not in use for a long period of time, as should be done with any other electric household appliance.
- To avoid possible injury and/or an electric shock, do not attempt to use the screen if there is obvious damage or if there are any evident broken parts.

WARNING

The Screen's **Top Black Drop** is already set to its maximum drop distance. There is **NO** extra top black drop in the roller. Please be aware of this as it will void the limitation of your warranty.

Individual modifications to this product are prohibited and will void the warranty with the manufacturer. Please contact EliteProAV™ Customer Service for any questions.

NOTE:

This equipment has been tested and found to comply with the limits for a Class B digital device, pursuant to Part 15 of the FCC Rules.

These limits are designed to provide reasonable protection against harmful interference in a residential installation. This equipment generates and can radiate radio frequency energy and, if not installed and used in accordance with the instructions, may cause harmful interference to radio communications.

However, there is no guarantee that the interference will not occur on a particular installation. If this equipment causes harmful interference to radio or television reception, which can be determined by turning the equipment off and on, the user is encouraged to try to correct the interference by one or more of the following measures.

- ✓ **Reorient or relocate the receiving antenna of the device which may be causing the interference.**
- ✓ **Increase the separation between the screen and the device's receiver.**
- ✓ **Connect the equipment into a different power outlet other than the device.**

Pre-Installation

1. Carefully unpack the screen.
2. Always handle the screen in a leveled position on a clean surface.
3. To protect the screen from exposure to stains, keep the screen out of contact with foreign particles such as dust, sawdust, and/or liquids.

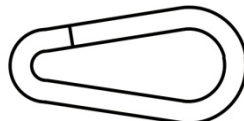
NOTE

Regardless of the mounting method, the screen should be securely supported so that the vibration or pulling on the viewing surface will not cause the casing to become loose or fall. The installer must ensure that the fasteners used are of adequate strength and suitable for the installation location.

Hardware Parts List

Please make sure all parts listed below are included before proceeding with the installation.

A. Snap link Hook x 2-4 pcs (depending on model/size)

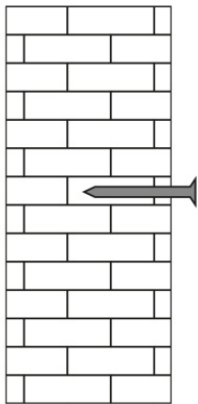


Installation Instructions

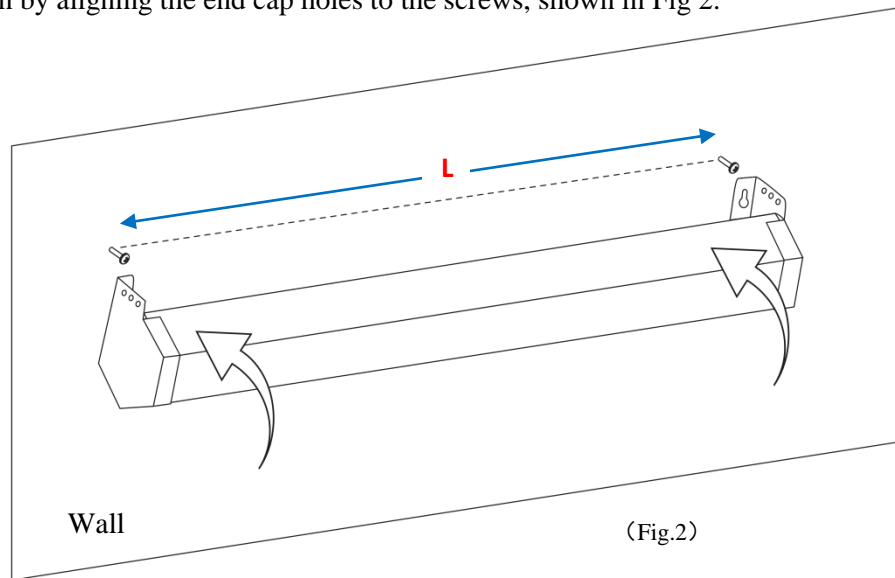
Wall Installation (200"/235"/250" diagonal models)

The installer must ensure that the fasteners used are of adequate strength and suitable for the installation location. Be sure to use hardware that is rated for the screen's weight. The steps below are a general method of wall installation. The parts listed below are **not included**.

1. Measure and mark the (L) distance between the two holes on the back of each bracket.
2. Drill a pilot hole for each screw/bolt on the marked areas.
3. Install the screw/bolt in the marked areas, leaving about 1/8" of an inch as shown in Fig. 1
4. Hang the screen by aligning the end cap holes to the screws, shown in Fig 2.



(Fig.1)

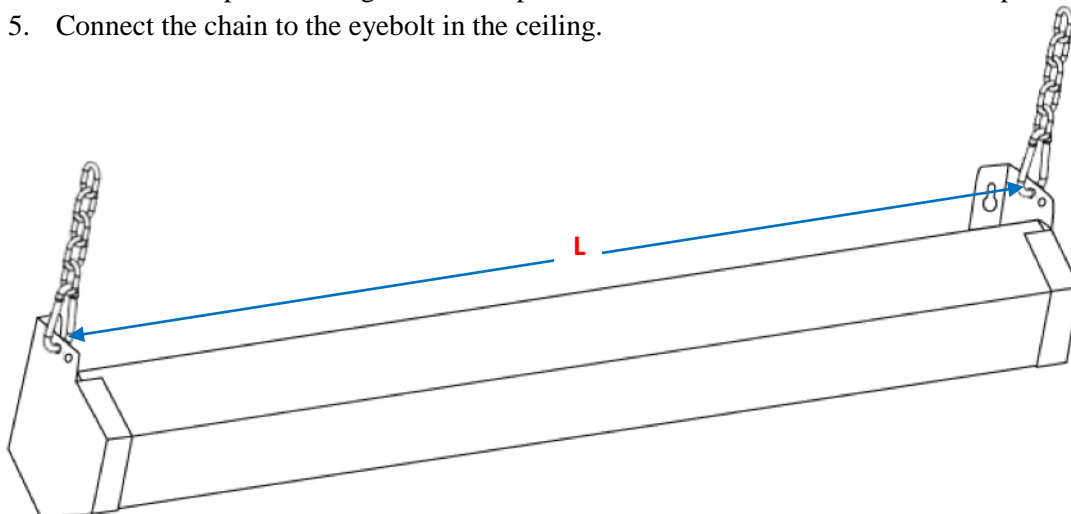


(Fig.2)

Suspended Installation (200"/235"/250" diagonal models)

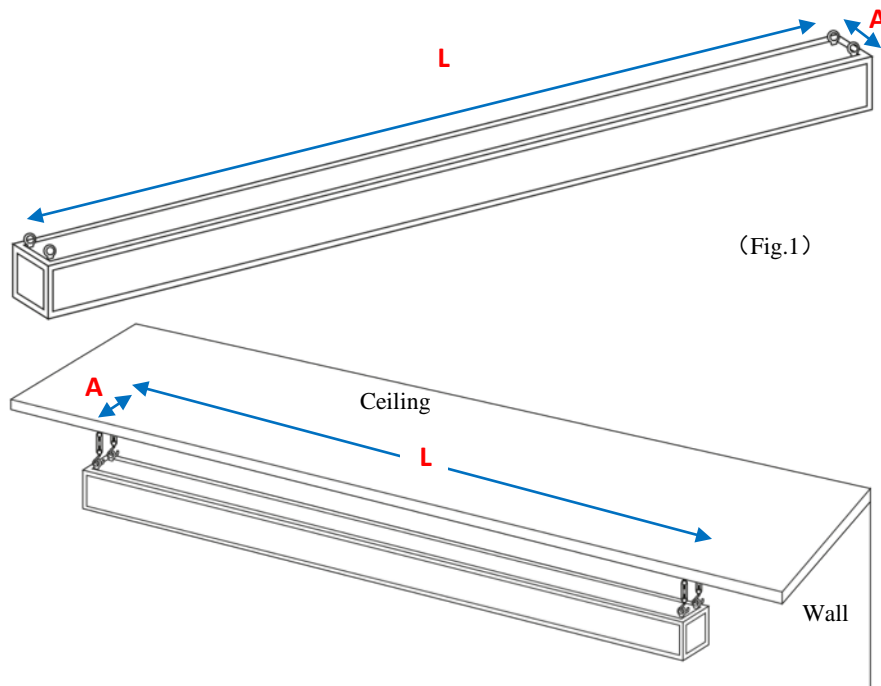
The installer must ensure that the fasteners used are of adequate strength and suitable for the installation location. Be sure to use hardware that is rated for the screen's weight. The steps below are a general method of suspended ceiling installation. The parts listed below are **not included**, except for the **snap link hook**.

1. Measure and mark the (L) distance between the two holes on each side bracket.
2. Drill a pilot hole in the ceiling for each suspension eyebolt.
3. Screw an eyebolt into the ceiling at the marked areas according to the (L) measurement.
4. Attach the snap link through the end cap bracket and connect it to a chain of the preferred length.
5. Connect the chain to the eyebolt in the ceiling.



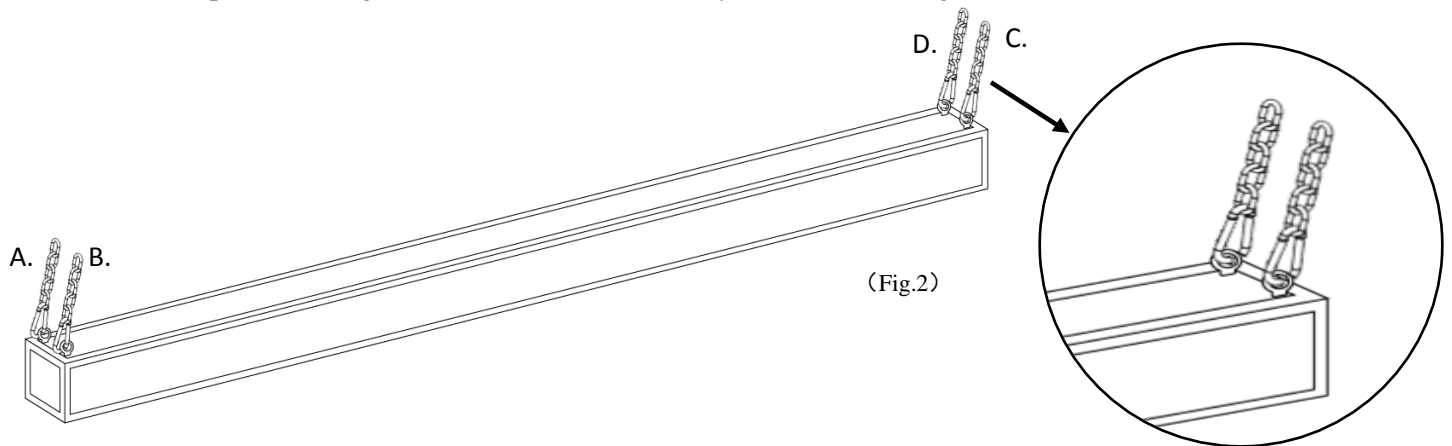
Suspended Ceiling Installation (300" diagonal models)

1. Select the installation location for your screen. Measure the distances between each eyebolt (Shown as measurements L and A in Fig.1). Mark the installation area on the ceiling based on the measurements taken. Using the marks as a guideline, drill a pilot hole in the ceiling for each suspension bolt (A).





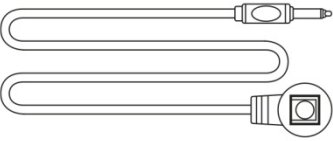
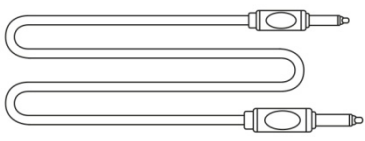
(Fig.1)

2. Screw an eyebolt into the ceiling at the marked areas for all suspension eyebolts located on the top of the screen (A/B/C/D). Attach the included snap link to each suspension eyebolt and connect it to a chain of the preferred length. Connect the chain to the eyebolt in the ceiling.



(Fig.2)

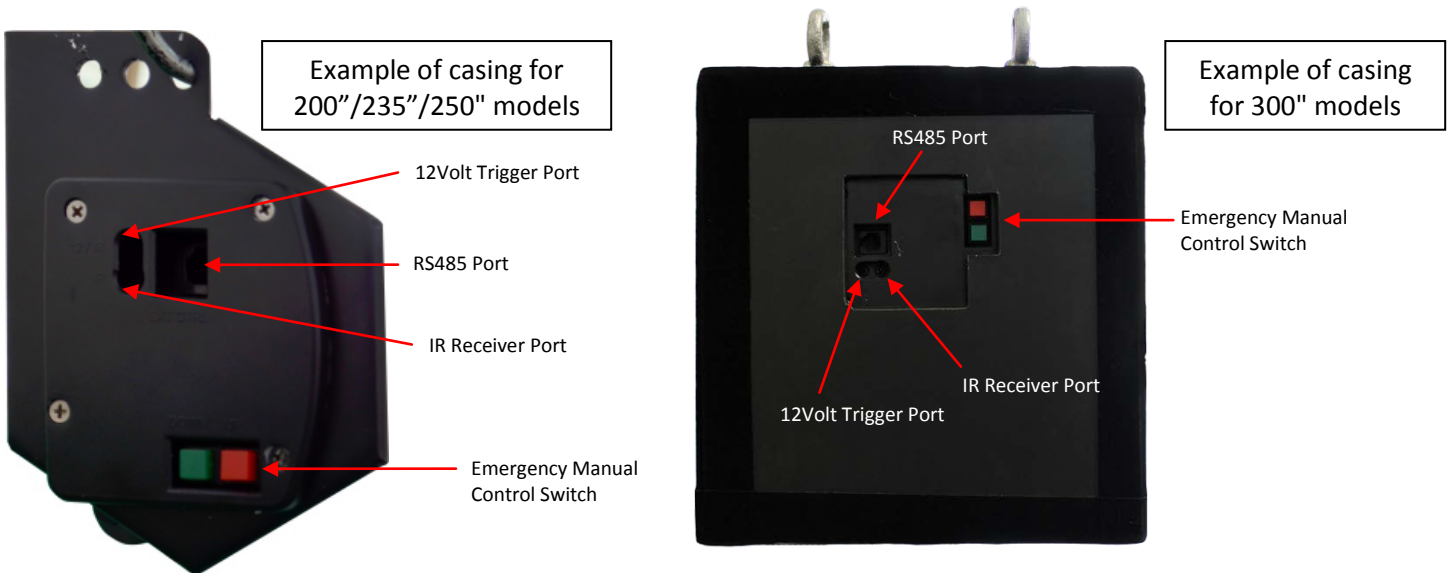
TensionPro Series | Controls and Accessories

A. IR Remote	B. RF Remote	C. IRextended "eye" receiver	D. 5-12 volt trigger cable
			

Screen Operation

Electric Current: Depending upon region, your screen will operate on 110v, or 220v voltage.

1. After ensuring the power outlet & screen are compatible (voltage), plug the power cord into the power outlet.
2. Once the screen has power, you'll be able to control it using any of the 4 methods described below.

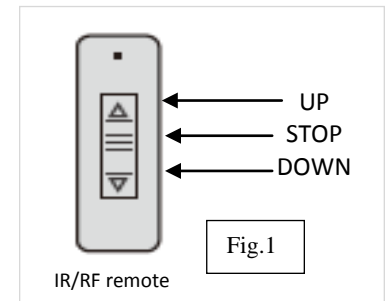


The Emergency Manual Control switches are to be used for emergency only. They are not recommended for everyday use.

5 ways to control your TensionPro

1. **IR Remote Control (Item A, Fig 1):** The Infrared functions by direct line of sight contact with a beam range of 25 feet. Simply aim the IR remote at the IR receiver to control the screen.

2. **RF Remote Control (Item B, Fig 1):** The radio waves eliminate the need for a direct line of sight with a range of 80 feet.



How to program your RF remote to your screen

When programming your remote, you first must enter the "coding state." While in the coding state, the screen will give out continuous short beeps. If there is no action made on the remote, the beeps will cease and the screen will exit the coding state.

1. Enter the coding state.
 - a. Unplug the screen.
 - b. **Press and hold the UP** button while plugging the screen back into the power outlet
 - c. You should hear the continuous short beeps. (You are in the coding state.)
2. Program your remote.
 - a. **Press the UP** button.
 - b. You should hear 3 short beeps.
 - c. You are now able to control your screen with your RF remote.

Note: The screen can be programmed to work with up to 20 remotes.

How to deprogram the RF remote

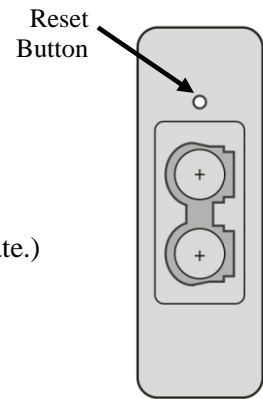
When deprogramming your remote, you first must enter the "coding state." While in the coding state, the screen will give out continuous short beeps. If there is no action made on the remote, the beeps will cease and the screen will exit the coding state.

Deprogram one remote

1. Enter the coding state.
 - a. With the programmed remote, **press and hold** the **STOP** button.
 - b. You should hear the continuous short beeps. (You are in the coding state.)
2. Deprogram one remote.
 - a. **Press** the **DOWN** button.
 - b. You should hear 3 short beeps.
 - c. Your remote has now been erased from the screen's memory.

Deprogram ALL remotes

1. Preparation.
 - a. Have a thin, sharp object ready.
 - b. Remove the cover on the back of the remote.
 - c. Locate the reset button for next steps.
2. Enter the coding state.
 - a. With the programmed remote, **press and hold** the **STOP** button.
 - b. You should hear the continuous short beeps. (You are in the coding state.)
3. Deprogram ALL remotes.
 - a. Press the reset button on back of remote with a thin, sharp object.
 - b. You should hear 3 short beeps.
 - c. All remotes have now been erased from the screen's memory.



3. IR "Eye" Receiver (Item C): The Infrared functions by direct line of sight contact with a beam range of 25 feet. The IR "Eye" receiver plugs directly into the IR port located on the left side end of the screen (see example images for port location). Once connected, simply aim the IR remote at the IR "Eye" receiver to control the screen.

4. 5-12 volt trigger (Item D): The built-in 5-12V trigger input allows your screen to synchronize its drop & rise with the projector's power cycle. The screen deploys when the projector powers on and will retract when the projector powers off. Plug the 3.5mm end to the projector's output port and the 2.5mm end to the trigger port on the screen's case (see example images for port location).

Note: You may need to enable this feature in your projector settings.

5. RS485

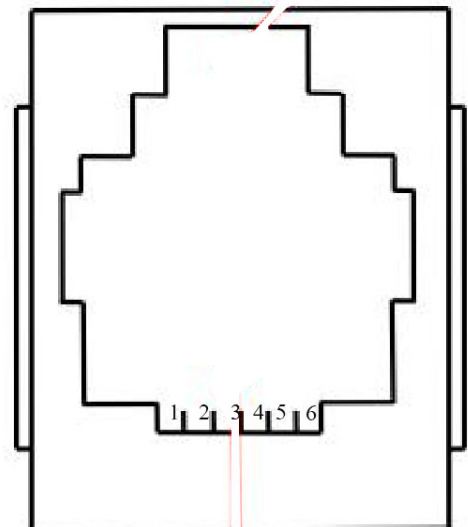
A. RS485 Port Setting

1. Baud Rate: 2400
2. Data Length: 8
3. Parity: N
4. Start Position: 1
5. Stop Position: 1

- | |
|--|
| <ol style="list-style-type: none">1. RS485-B2. RS485-A3. Manual control switch (UP)4. Manual control switch (STOP)5. Manual control switch (DOWN)6. Manual control switch public line |
|--|

B. Control Codes

1. UP code: 0xFF 0xAA 0xEE 0xEE 0xDD
2. STOP code: 0xFF 0xAA 0xEE 0xEE 0xCC
3. DOWN code: 0xFF 0xAA 0xEE 0xEE 0xEE

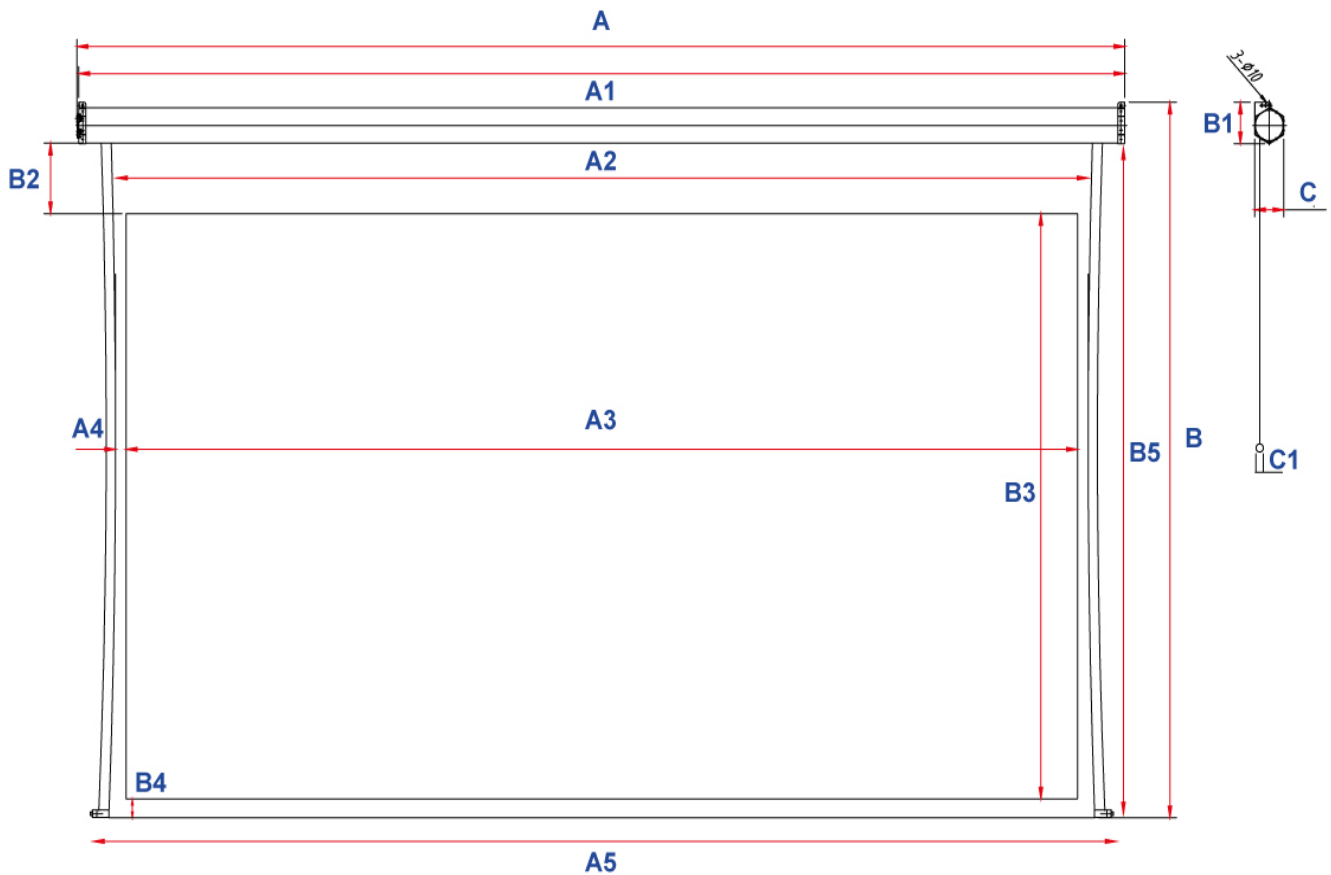


Dimensions Table

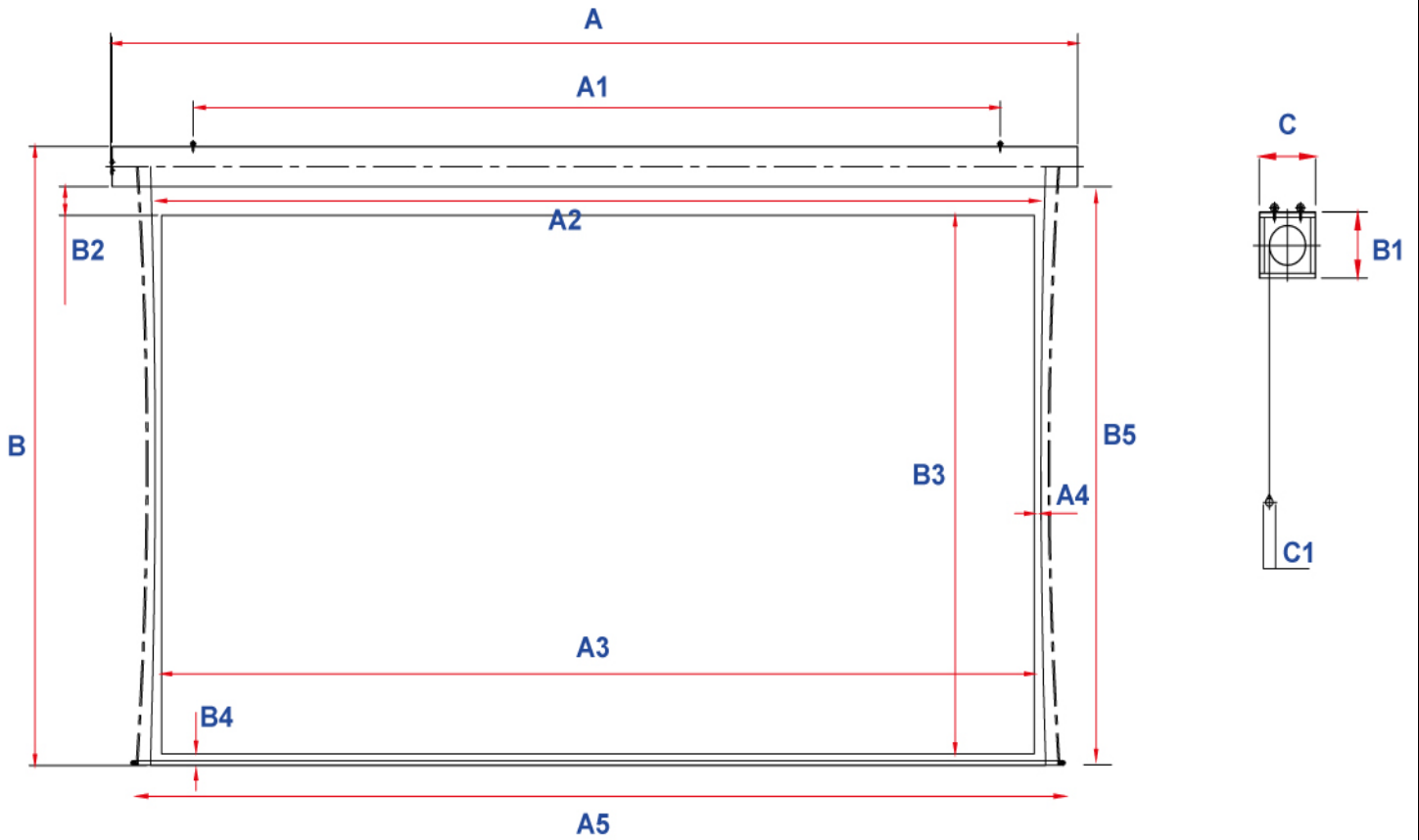
Models Numbers	A	A1	A2	A3	A4	A5	B	B1	B2	B3	B4	B5	C	C1	Distance from Material to Back of Casing	Top of Casing to Top of Eyebolt	Distance between Eyebolts
Unit: Inches																	
TP200 XHW2	192.0	191.7	178.3	174.3	2.0	189.6	119.8	7.0	11.8	98.1	3.1	113.0	5.4	1.3	0.9	n/a	n/a
TP235 XHW2	223.1	222.8	208.7	204.8	2.0	218.0	137.3	8.1	11.8	115.2	3.1	130.2	6.2	1.3	0.9	n/a	n/a
TP250 XHW2	236.2	235.9	221.8	217.9	2.0	231.1	144.6	8.1	11.8	122.6	3.1	137.5	6.2	1.3	0.9	n/a	n/a
TP300 XHW2	296.8	287.6	265.4	261.5	2.0	276.2	169.0	8.6	7.9	147.0	3.1	158.1	10.2	1.3	1.8	1.4	4.7
Unit: mm																	
TP200 XHW2	4877	4869	4528	4428	50	4815	3044	177	300	2491	80	2871	136	33	23	n/a	n/a
TP235 XHW2	5667	5659	5302	5202	50	5537	3487	205	300	2926	80	3306	157	33	23	n/a	n/a
TP250 XHW2	5999	5991	5634	5534	50	5869	3674	205	300	3113	80	3493	157	33	23	n/a	n/a
TP300 XHW2	7539	7305	6741	6641	50	7016	4293	218	200	3735	80	4015	260	33	46	36	120

Note: Data Error ± 1 "

200"/235"/250" Models



300" Models



For more information, technical support or your local EliteProAV™ contact, please visit www.eliteproav.com