



Quam

VANDAL RESISTANT

CIB6

CALL-IN SWITCH

2-Gang, Stainless Steel Faceplate

GENERAL DESCRIPTION

The CIB6 is a 2-gang, vandal resistant call-in switch with a momentary (normally open) push-to-call button on a 12 guage, brushed stainless steel faceplate. Tamper resistant, 6-32 x 1" 'pin-in-torx' hardware included. Switch connections are screw-down, pinch connectors.

INTENDED USE - Indoor and Outdoor Environment

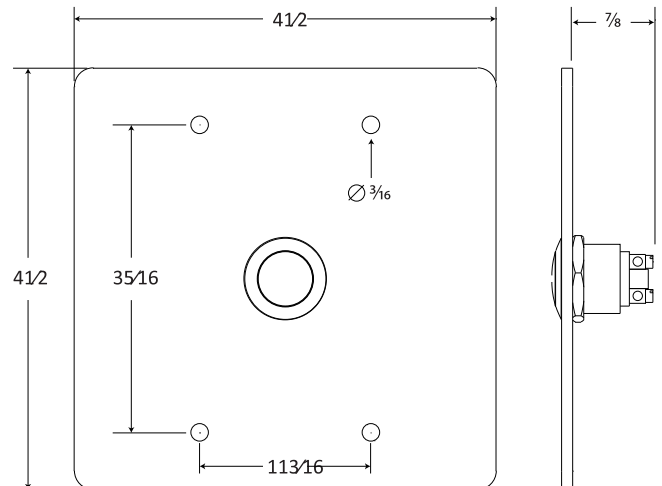
ADDITIONAL OPTIONS - Contact the Factory for details

Red Mushroom Button	Order as : CIB6/MB
Custom Engraving & Fill	Contact the Factory for details and lead times.



RECOMMENDED QUAM COMPONENTS

Enclosures | Surface Mount : SE7GVP, SE8GVP, SE9GVP



Recommended construction sequences, installation instructions, and A&E Specifications are available in various formats in the QUAM Architects' and Engineers' Resources section on the web at: www.QuamSpeakers.com

© 2013 Quam-Nichols Company reserves the right to make changes and/or improvements to its products at any time and without notice.



QUAM-NICHOLS COMPANY, INC.
234 East Marquette Rd.
Chicago, IL. 60637
Tel: 1-800-NEED-NOW (800-633-3669)
Fax: 1-888-NEED-NOW (888-633-3669)
e-mail: NeedNow@QNC.com
www.QuamSpeakers.com