

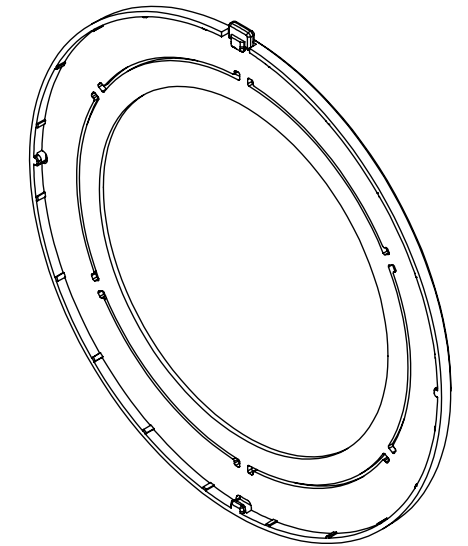
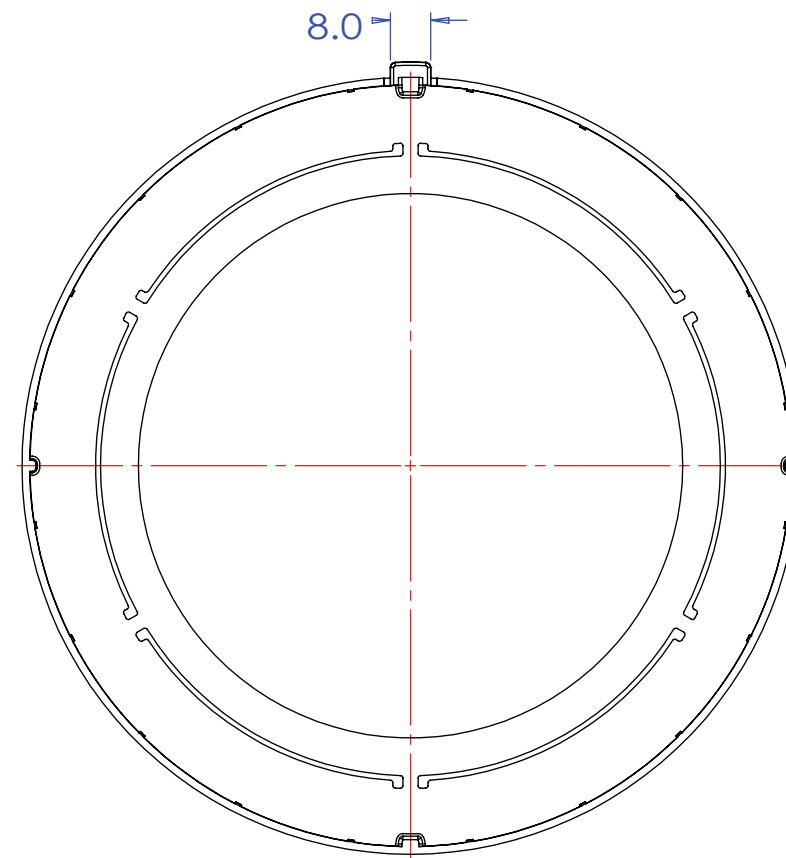
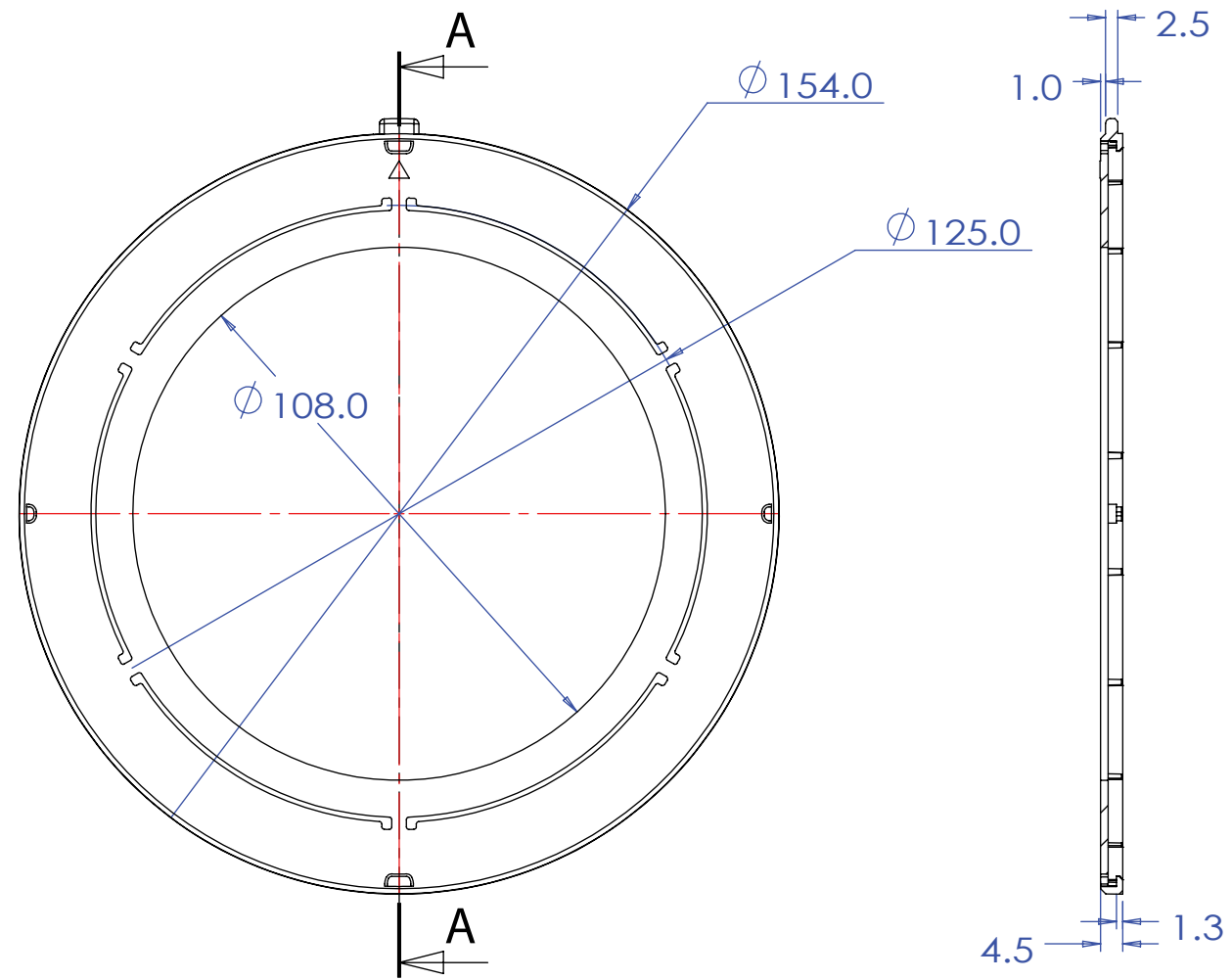



Dimensions of the Apertures

- A. $\phi = 0.23$ inch (0.59cm) A~A=4.80 inch (12.20cm)
- B. $\phi = 0.14$ inch (0.36cm) B~B=3.78 inch (9.60cm)
- C. $\phi = 0.21$ inch (0.53cm) C~C=3.32 inch (8.42cm)

| | | |
|---|-------|--|
| DATE | SCALE | MATERIAL |
| 11.23.2015 | 1 : 2 | Aluminum |
|  | | DESCRIPTION |
|  | | DWC-GPLT Converter Plate for Electronic Gang Box for MEGApix® PANO™ Dome Camera, Snapit™ Cameras, Surface Mount Domes, V5-6 Outdoor Dome Cameras, D3 and D7 Indoor Dome Cameras and Mini Outdoor Dome V7 Cameras. |



A-A
1:1.5

| | | |
|---|--------------|--|
| DATE 11.23.2015 | SCALE 1:2 | MATERIAL Aluminum |
|  | | DESCRIPTION DWC-GPLT Plastic décor ring for DWC-GPLT |