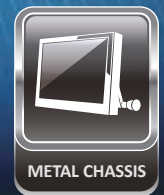
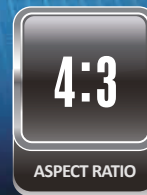
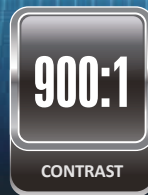


LED

PREMIUM LED BLU



9REDP

BUILT TO RUN 24 X 7 X 365 CONTINUOUSLY

OVERVIEW

The ORION LCD w/ LED BLU (backlight unit) high brightness displays are a truly professional experience in next generation technology using eco-friendly material (no mercury or halogen). This technology exceeds the NTSC color gamut standard of 100% with the LED BLU at 123% to provide a wider range of colours than ever before – you will see colors on screen as you see them in real world.

FEATURES

- Metal Chassis
- LED BLU (Back Light Unit) Display Monitor
- 350cd/m² High Brightness
- 1024 x 768 at 75Hz Maximum Resolution
- 3D Motion Adaptive De-Interlace, Noise Reduction
- BNC Video In 2 / Out 2, S-Video In 1, HDMI 1 In, VGA In 1, Audio 2 In, PC Stereo 1
- Wall and Rack Mount Kit



SPECIFICATIONS

9REDP	
Display	
Screen Size	9.7 Inch
Max. Resolution	1024 x 768 @ 75Hz
Pixel Pitch	0.192 x 0.192mm
Brightness	350cd/m ²
Contrast Ratio	900 : 1
Aspect Ratio	4 : 3
Viewing Angle (H/V)	178° / 178°
Display Color	262,144 colors (6-bit)
Response Time	< 20ms
Video System	NTSC / PAL
Interface	
Video In / Out (BNC Type)	2 In / 2 Out
S-Video In	1 In
Component	N/A
HDMI In	1 In
VGA In (15Pin D-Sub)	1 In
Audio In (RCA Type)	1 In
PC Stereo In	1 In
Transmitter	
Remote Control	N/A
Audio	
Built-in Speakers	Yes (1W x 2)
Features	
Filter Type	3D Adaptive Deinterlacer
3D Motion Adaptative De-Interlace	Yes
Noise Reduction Control (NR)	Yes
Auto Source Sequencing	Yes
Multi Language	English, Spanish, French, German, Italian
General	
Outline Dimension (W x H x D)	8.50" x 7.48" x 3.45"
Net Weight	2.0 Kg (4.4 lbs)
Material / Color	Electronic Galvanized Iron / Black
Desk Top Stand	Kick Type
Part / Labor	3year / 3year
Consumption: < On	< 11W
	AC100 ~ 240V(50/60Hz)
Electrical Ratings	DC 12V / 3A
Operating Temperature	0° ~ 40° C / 32° ~ 104° F
Storage Temperature	-20° ~ 60° C / -4° ~ 140° F
Mounts	
VESA™ Mount Size	75 x 75mm
Wall	WB-5, WB-10, WB-30
Ceiling	CMK-01
Rack	RMK-08

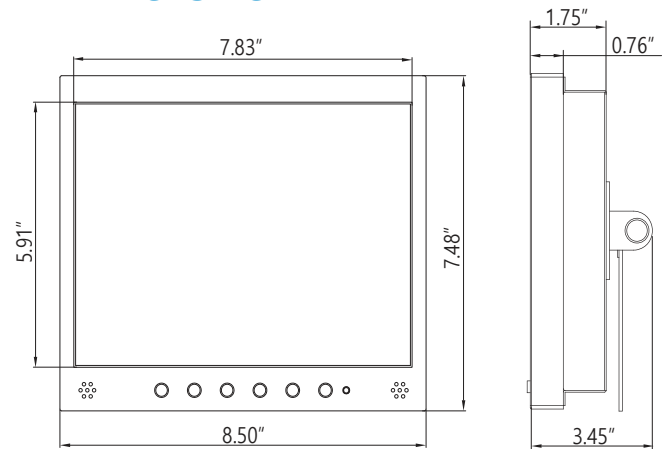
*Design and specifications are subject to change without notice

INPUT INTERFACE



- 1 Video 1 In / Out
- 2 Video 2 In / Out
- 3 Audio 1 In (RCA Type)
- 4 S-Video 1 In
- 5 VGA 1 In (15 Pin D-sub)
- 6 DC 12V
- 7 HDMI 1 In

DIMENSIONS



ADVANTAGES

3D Adaptive Deinterlace

In signal processing, a comb filter adds a delayed version of a signal to itself, causing constructive and destructive interference. The frequency response of a comb filter consists of a series of regularly-spaced spikes, giving the appearance of a comb.



Before 3D Adaptive Deinterlace



After 3D Adaptive Deinterlace

OPTIONAL MOUNTS

