

TP-MPC4AV33

4MP WDR TwilightVision™ Network PTZ Dome Camera



KEY FEATURES

- ✓ 33X optical zoom, endless pan, high speed PTZ
- ✓ **TwilightVision™** technology superior low-light performance
- ✓ Smart IR up to 150m (492 ft)
- ✓ Auto tracking of persons and vehicles
- ✓ People & vehicle detection with onboard AI
- ✓ Turing Vision Core license for people & vehicle search, cloud storage, and more



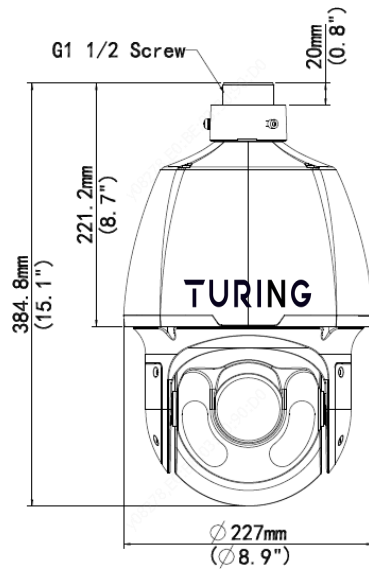
SPECIFICATIONS

CAMERA	
Sensor	1/2.8", 4.0 megapixel, progressive scan, CMOS
Min. Illumination	Color: 0.003 Lux (F1.5, AGC ON), 0 Lux with IR
Day/Night	IR-cut filter with auto switch (ICR)
Shutter	Auto/Manual, 1 ~ 1/100000s
WDR	120dB
S/N	>56dB
LENS	
Lens type	4.5 ~ 148.5mm, AF automatic focusing and motorized zoom lens
Digital Zoom	16X
Optical Zoom	33X
Iris	Auto; F1.5 ~ F4.0
Angle of View (H)	53.0°~2.3°
Angle of View (V)	31.0°~1.3°
Angle of View (O)	65.2°~2.7°
ILLUMINATOR	
IR Range	Up to 150m (492 ft) IR range
Wavelength	850nm
IR On/Off Control	Auto/Manual
VIDEO	
Video Compression	Ultra 265, H.265, H.264, MJPEG
Video Bit Rate	128 Kbps~16 Mbps
Frame Rate	Main Stream: 4MP (2688*1520), Max 30fps; Sub Stream: 2MP (1920*1080), Max 30fps; Third Stream: D1 (720*576), Max 30fps
U-code	Yes
ROI	Yes
Video Stream	Triple streams
OSD	Up to 8 OSDs
Privacy Mask	24 areas, up to 4 areas per scene
IMAGE	
White Balance	Auto/Outdoor/Fine Tune/Sodium Lamp/Locked/Auto2
Smart IR	Yes
Noise Reduction	2D/3D DNR
Flip	Normal/Flip Vertical/Flip Horizontal/180°/90°Clockwise/90°Anti-clockwise
HLC	Yes
BLC	Yes
Defog	Digital Defog
EVENTS	
Basic Detection	Motion detection, Audio detection, Tampering Alarm
Auto Tracking	Yes
General Function	Watermark, IP Address Filtering, Alarm input, Alarm output, Access Policy, ARP Protection, RTSP Authentication, User Authentication
AUDIO	
Audio Compression	G.711U,G.711A
Audio Bitrate	64 Kbps
Two-way Audio	Yes
Suppression	Yes
Sampling Rate	8 kHz
STORAGE	
Edge Storage	Micro SD, up to 256 GB
Network Storage	ANR,NAS(NFS)

NETWORK	
Protocols	IPv4, IGMP, ICMP, ARP, TCP, UDP, DHCP, PPPoE, RTP, RTSP, RTCP, DNS, DDNS, NTP, FTP, UPnP, HTTP, HTTPS, SMTP, 802.1x, SNMP, QoS, RTMP,SSL/TLS
Compatible Integration	ONVIF (Profile S, Profile G, Profile T), API,SDK
User/Host	Up to 32 users. 2 user levels: administrator and common user
Security	Password protection, Strong password, HTTPS encryption, Export operation logs, Basic and digest authentication for RTSP, Digest authentication for HTTP, TLS 1.2, WSSE and digest authentication for ONVIF
Web Browser	Plug-in required live view: IE9+, Chrome 41 and below, Firefox 52 and below
PAN & TILT	
Pan Range	360° (endless) 0.1°/s ~ 200°/s
Pan Speed	Preset speed: 300°/s
Tilt Range	-15° ~ 90° (auto reverse) 0.1°/s ~ 200°/s
Tilt Speed	Preset speed: 240°/s
Number of Presets	1024
Preset Patrol	16 patrols, up to 64 presets for each patrol
Route Patrol	16 patrols, up to 32 actions for each patrol
Recorded Patrol	16 patrols, up to 128 actions for each patrol
Patrol Stay Time	15s~1800s
Preset Image Freeze	Yes
Home Position	Yes
INTERFACE	
Audio I/O	1/1
Alarm I/O	2/1
Serial Port	1 RS485
Network	1 * RJ45 10M/100M Base-TX Ethernet
Video Output	1 BNC
CERTIFICATION	
EMC	FCC Part 15, EN 55032:2015, EN 55024:2010, EN 61000-3-2:2014, EN 61000-3-3-2013
Safety	IEC 62368-1, EN 62368-1, UL 60950-1
Environment	CE-ROHS (2011/65/EU;(EU)2015/863); WEEE (2012/19/EU); REACH (Regulation (EC) No 1907/2006)
GENERAL	
Power	AC24V±25%, DC12V(±25%,3A), PoE+(IEEE 802.3at) Power consumption: MAX 25W
Power Interface	Wires with cold-pressed terminal
Dimensions (Ø x H)	Ø227 x 384.8mm (Ø8.9" x 15.1")
Weight	5.28kg(11.64lb)
Working Environment	-40°C~70°C(-40°F ~ 158°F) · Humidity: ≤95% RH (non-condensing)
Storage Environment	-40°C~70°C(-40°F ~ 158°F) · Humidity: ≤95% RH (non-condensing)
Surge Protection	6KV
Reset Button	Yes
Protection	IP67, IK10



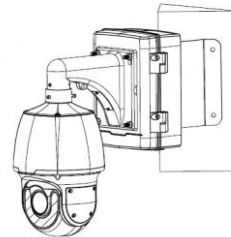
DIMENSIONS



MOUNTING



Wall Mount: TP-PCWM
Junction Box: TP-PCJB
Pole Mount: TP-PCPLM



Wall Mount: TP-PCWM
Junction Box: TP-PCJB
Corner Mount: TP-PCCM

Parapet Mount (Not Shown): TP-PCPRM

