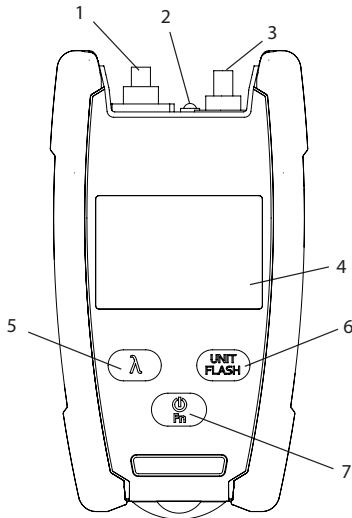


OPM210 & OPM220

Quick Reference



User's Guide

1. OPM Connector
2. LED Light
3. VFL Connector (PC)
4. LCD
5. Set/Ref Set
6. OPM Unit Set/Ref Set
7. Power on/off and Function

Fn — Power ON/OFF

Press the “Fn” key to turn on the device with auto power off.
 Press “Fn” key for two seconds when turning on device, auto power off will be canceled, LCD displays “PERM”.
 Press “Fn” key for two seconds to shut the device off.

Fn — Function Change

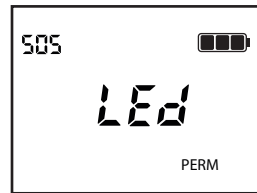
Press the “Fn” key to select OPM or VFL or LED function:



OPM



VFL



LED

OPM Mode

Press “λ” to select the wavelength. Press “Unit Flash” to change the unit dBm, microwatts or dB. Press “Unit Flash” for two seconds to set a reference of 0dBm.

VFL Mode

Press “Unit Flash” to change output mode, 2Hz modulation or continuous.

LED Mode

Press “Unit Flash” to change from continuous to flash.

Tempo Communications

1390 Aspen Way • Vista, CA 92081 • USA
 P: 800-642-2155 • F: 760 598-9263
www.TempoCom.com

Tempo Europe Ltd.

Tel: +44 1633 927 050 • Brecon House, William Brown Close
 Cwmbran • NP44 3AB • UK