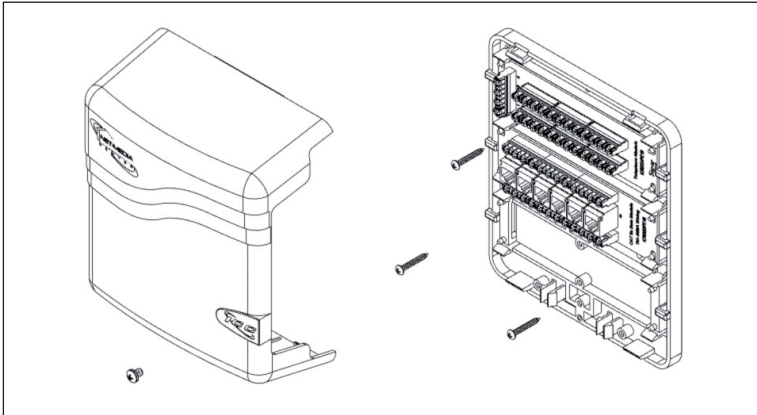


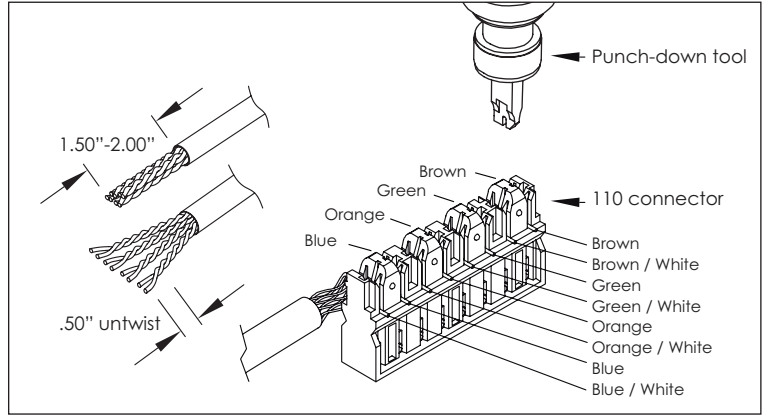


# Mini Net.Media Center™ Combo with Voice + Data

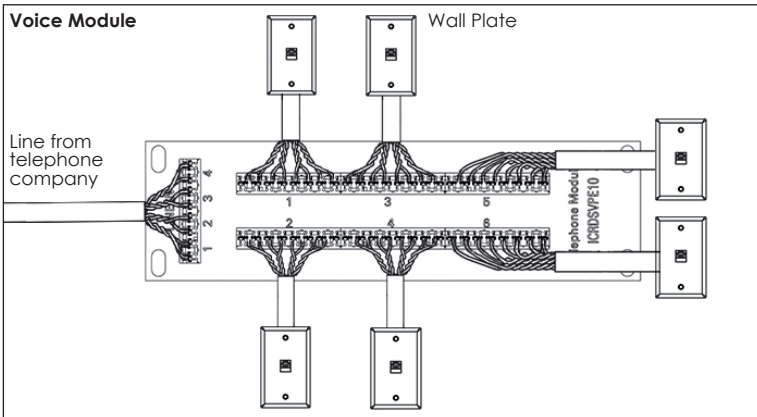
## INSTALLATION INSTRUCTIONS



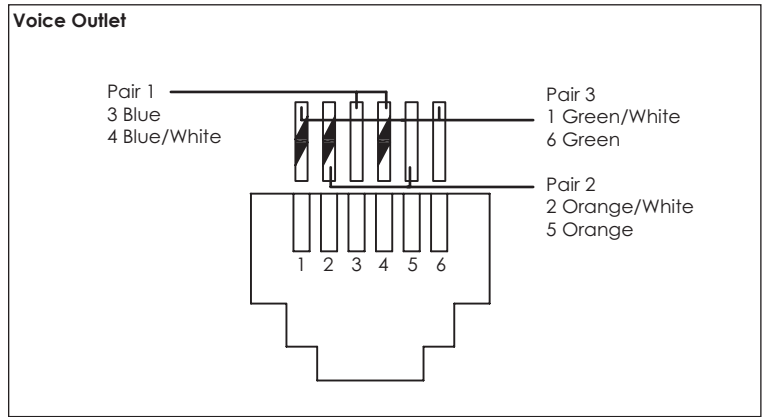
Step 1: Remove the screw to separate the cover from the base. Next, screw the base to the desired surface using a minimum of 3 points.



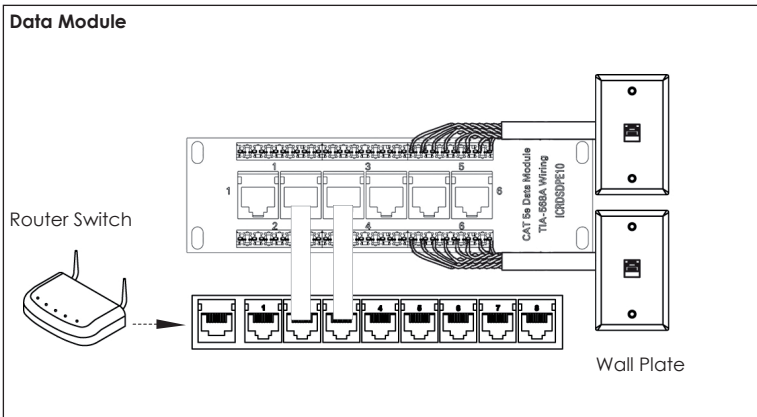
Step 2: Terminate the wires by only using a 110 punch-down tool. Be certain to follow the specified T568A color code for 8P8C installations as per TIA-570 residential wiring standards.



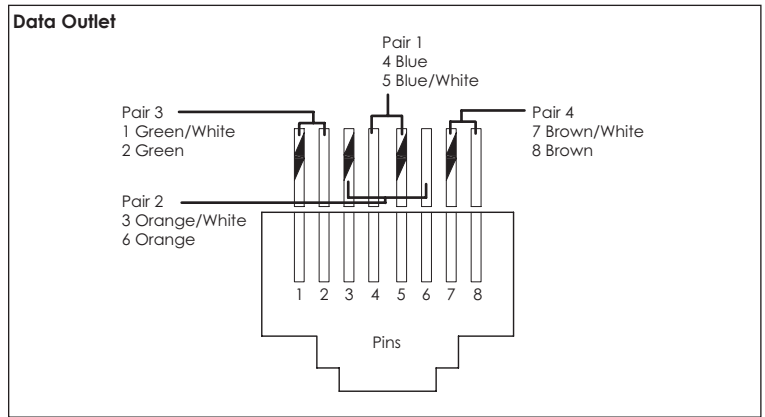
Step 3: Terminate the incoming phone line to the 110 IDC labeled "INPUT". Identify each outlet cable and terminate to 110 IDC labeled "1~6". Note: Line#1 = Blue; Line#2 = Orange; Line#3 = Green; Line#4 = Brown.



Note: Follow USOC wiring on 6P6C voice modular connectors to connect up to 3 phone lines per outlet.



Step 4: Terminate cables on the 4-Pair 110 connectors on the data module. Connect one end of a patch cord to the corresponding jack and the other end to the Ethernet router after identifying the port to activate.

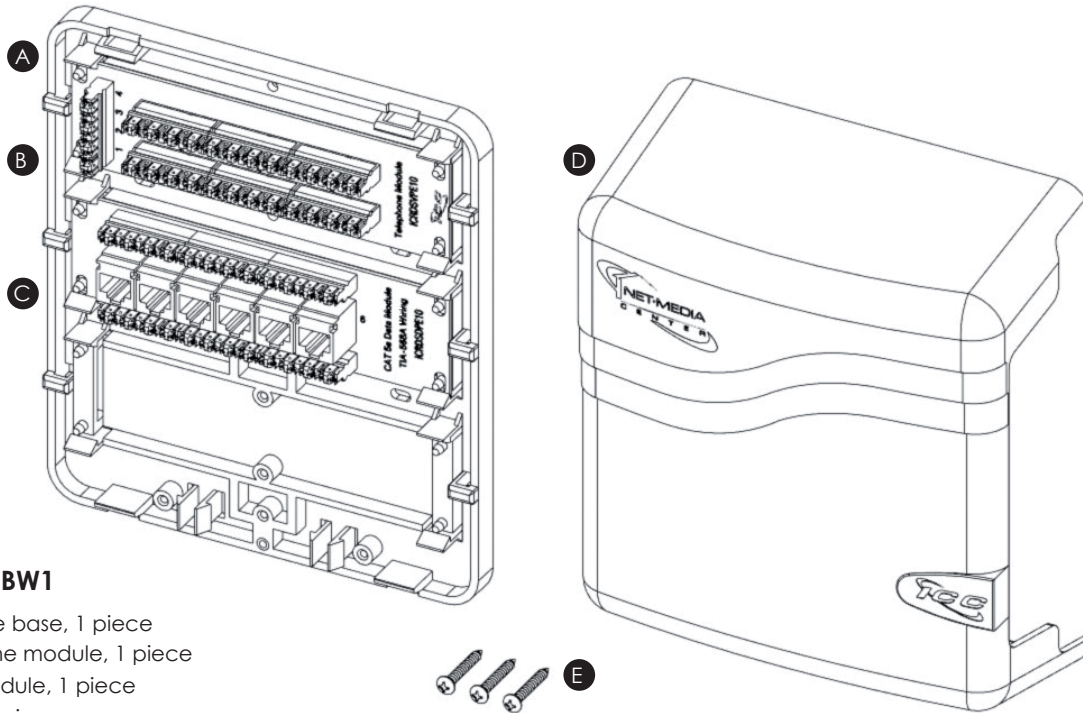


Note: It is important to follow T568A wiring because it allows pair 1 and 2 to be used for phone applications, up to 2 lines.



# Mini Net.Media Center™ Combo with Voice + Data

## INSTALLATION INSTRUCTIONS



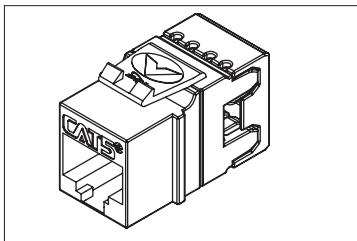
### ICRDSMMBW1

- A** Enclosure base, 1 piece
- B** Telephone module, 1 piece
- C** Data module, 1 piece
- D** Cover, 1 piece
- E** #6 x 1" mounting screw, 3 pieces

## FEATURES AND BENEFITS

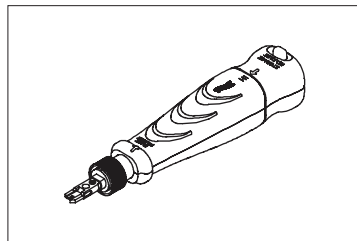
- Snap-on cover and base are constructed of durable ABS plastic
- 6-Port bridged telephone module for connecting phones in 6 locations
- 6-Port CAT 5e data module for networking up to 6 computers
- Compact size perfect for installing in garages, basements and bedroom closets
- Side access points are on the left and right for easy cable entry and exit

## OPTIONAL ACCESSORIES



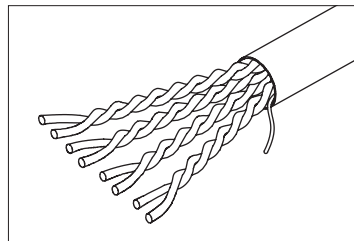
**CAT 5e HD Modular Connector**

- IC1078F5xx\***
- Exceeds TIA-568 performance standards
  - 50 micro-inch gold plated contacts



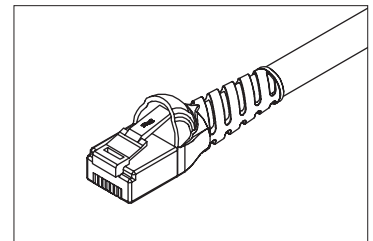
**Single Blade Punch-Down Tool**

- ICACSPDT00**
- Single wire termination
  - 110 IDC and 66 blocks
  - Both blades included
  - Adjustable impact settings
  - Comfortable grip



**CAT 5e UTP Premise Cables**

- ICCABP5Exx\* CMP**  
**ICCABR5Exx\* CMR**
- 4-Pair, 24 AWG
  - Solid copper cable
  - 1000 ft., EZ pull carton



**CAT 5e Patch Cords**

- ICPCSJzzxx\***
- 4-Pair UTP, 24 AWG
  - Slim boots fit narrow port spacing
  - UL listed
  - Factory tested and wired T568

\*Color (XX) = WH-White, IV-Ivory

\*xx denotes color = BL-Blue, GY-Gray, WH-White, YL-Yellow, GN-Green

\*xx denotes color - BK-Black, BL-Blue, GN-Green, GY-Gray, OR-Orange, RD-Red, WH-White, YL-Yellow  
 zz denotes length - 01, 03, 05, 07, 10, 14, 25 feet