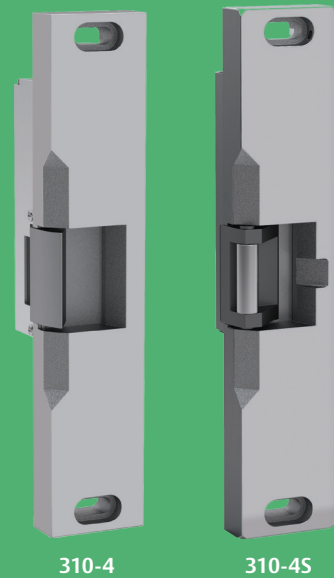


# Folger Adam 310-4 Electric Strike

*Works with Pullman style latchbolts  
up to 3/4" and Squarebolt®  
style rim exit devices*



310-4

310-4S

The 310-4 is a 3-hour fire rated, industrial grade electric strike designed for extreme heavy duty applications.

The all stainless steel construction of this device makes it ideal for high abuse applications that would disable other electric strikes. The Folger Adam 310-4 Series has a unique 3/4" face plate with an integrated 1/4" base shim that can be removed in the field to accommodate rim exit devices with a 1/2" or 3/4" throw latchbolt.

## Features

### Standard Features

- Integrated shim for quick customization of faceplate thickness (1/2" to 3/4" [19mm])
- Tamper resistant, heavy duty construction
- Constructed entirely of stainless steel for strength and corrosion resistance
- Static strength 1,500 lbs
- Dynamic strength 70 ft-lbs
- Endurance rating 1 million cycles
- Integrated ramps for better deadlatch handling
- Set screws for horizontal lockdown
- In-frame horizontal adjustability
- Wider faceplate for greater versatility
- Non-handed
- Fail secure (standard)
- Plug-in connector
- SecuriCare five-year, no-fault, no questions asked warranty (Addition of SMART Pac® III extends the warranty to 10 years)

### Optional Features

- **Fail Safe**
- **LCBMA** Latchbolt & Locking Cam Monitor with Auxiliary Switch

### Accessories

- **7000-SMB** Surface mounting box
- **2001-1** Wire-in bridge rectifier
- **2001M** Plug-in bridge rectifier
- **2004M** ElectroLynx® adapter
- **2005M3** SMART Pac® III
- **2006M** Plug-in buzzer



Grade 1

SecuriCare  
WarrantyRim Exit  
Devices

Fire Rated

Burglary  
Rated

ASSA ABLOY

## Specifications

### Certifications

- UL 10C, 3-hour fire rated (fail secure only)
- CAN4-S104 (ULC-S104) fire door conformant
- UL 1034, burglary-resistant listed
- UL 294 listed
- ANSI/BHMA A156.31, Grade 1
- NFPA-252 fire door conformant
- ASTM-E152 fire door conformant
- RoHS compliant

### Electrical (Continuous Duty)

- 510 mA at 12 VDC/250 mA at 24 VDC

### 310-4

For up to 3/4" [19mm] Pullman style latchbolts on single doors

PK keeper standard

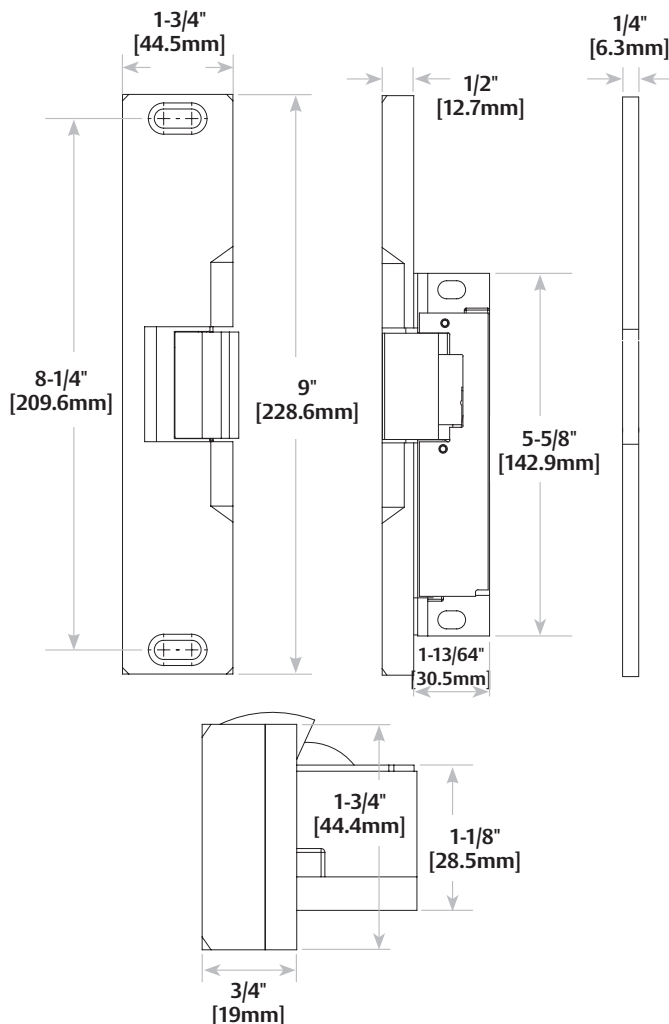
### 310-4S

For Squarebolt® style rim exit devices such as;

- Corbin Russwin® ED4200S, ED5200S and ED5200SA SecureBolt®
- Yale® 7150(F), 7250, 7270M(F) Squarebolt® Exit Devices

SK keeper standard

## Dimensions *Model 310-4 shown*



## How to Order

SERIES	FAIL SECURE / SAFE	VOLTAGE	FINISH	OPTION (S)
<b>310-4 (S)</b>	<b>- F</b>	<b>- 12D</b>	<b>- 605</b>	<b>- LCBMA</b>
COMPLETE PACS	(blank) Fail Secure (standard)	12D 12 Volt	605 Bright Brass	(blank) No Monitor
310-4 PK keeper standard; For use with 3/4" Pullman style latchbolts	F Fail Safe	24D 24 Volt	606 Satin Brass	LCBMA* Latchbolt & locking cam monitor with auxiliary switch
310-4(S) SK keeper standard; For use with Squarebolt® style rim exit devices			612 Satin Bronze	
			613 Bronze Toned	
			629 Bright Stainless Steel	
			630 Satin Stainless Steel	
PREFIX	SERIES	KEEPER STYLE	FINISH	
<b>FP</b>	<b>- 310-4</b>	<b>(SK)</b>	<b>- 605</b>	
FACEPLATE ONLY		SK For use with Squarebolt® style rim exit devices	605 Bright Brass	
FP Faceplate	310-4 PK keeper standard; For use with 3/4" Pullman style latchbolts		606 Satin Brass	
	310-4(S) SK keeper standard; For use with Squarebolt® style rim exit devices		612 Satin Bronze	
			613 Bronze Toned	
			629 Bright Stainless Steel	
			630 Satin Stainless Steel	

NOTE: Electric strike compatibility is determined at time of electric strike product release. ASSA ABLOY is not responsible for incompatibility of products that have changed in design or craftsmanship by their respective manufacturers. When compatibility is a concern, contact Customer Support for application assistance.