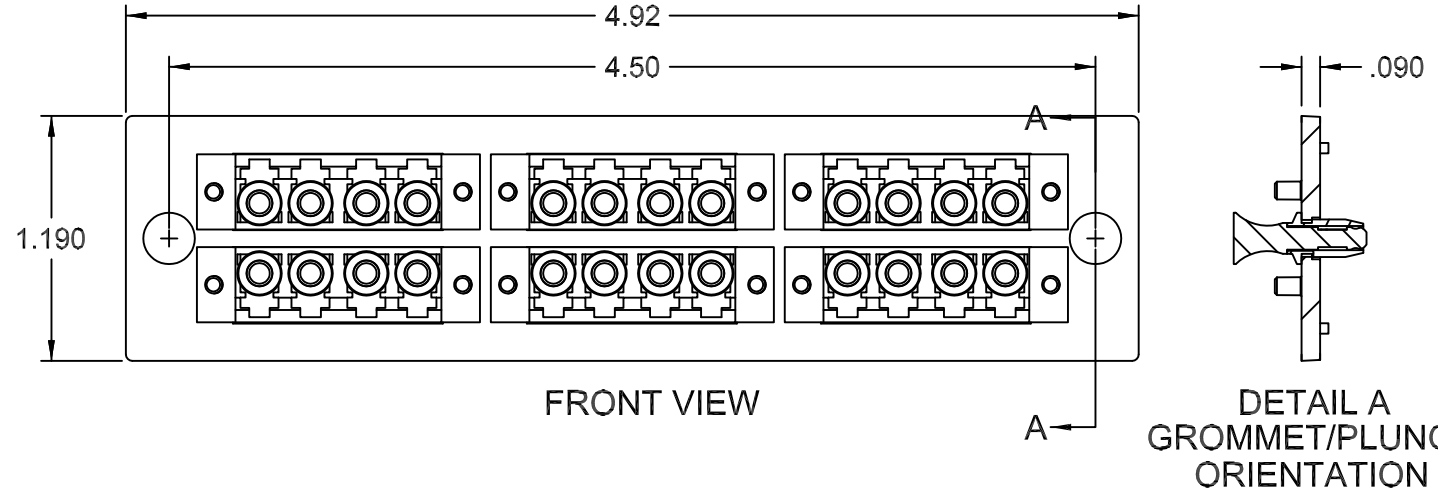
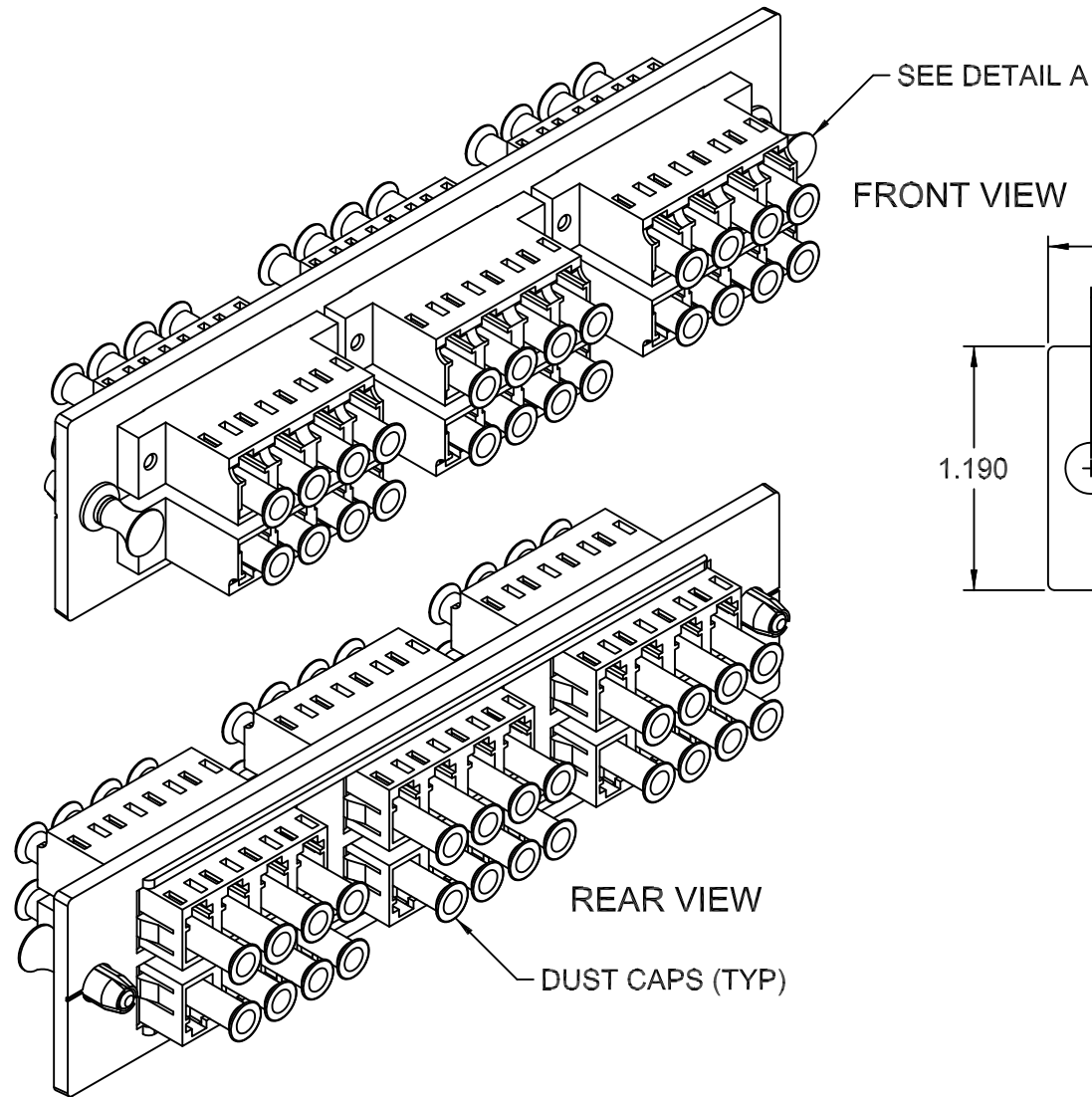


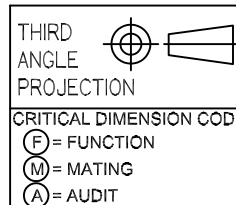
REVISION HISTORY					
REV	SHT	DESCRIPTION	DATE	ECN	CHECKED
A	ALL	RELEASE NEW	5/20/09	NEW	RBS
D	-	ADDED: MORE 24 PORT QUAD LC ADAPTER OPTIONS	1/26/12	-	RBS



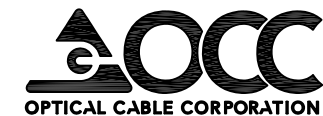
6124QLCAPC	ADAPTER PLATE ASSY, QUAD LCAPCX6, 24 PORT, SM, OCC
6124QLC50G	ADAPTER PLATE ASSY, QUAD LCX6, 24 PORT, 50µm 10G, OCC
6124SMQLC	ADAPTER PLATE ASSY, QUAD LCX6, 24 PORT, SM, OCC
6124MMQLC	ADAPTER PLATE ASSY, QUAD LCX6, 24 PORT, MM, OCC
6124QLC	ADAPTER PLATE ASSY, QUAD LCX6, 24 PORT, SM/MM, OCC
6124SMQLCR	ADAPTER PLATE ASSY, QUAD LCX6, RED, 24 PORT, SM, OCC
6124SMQLCG	ADAPTER PLATE ASSY, QUAD LCX6, GRN, 24 PORT, SM, OCC
6124SMQLCB	ADAPTER PLATE ASSY, QUAD LCX6, BLUE, 24 PORT, SM, OCC
OCC PART NO.	DESCRIPTION

NOTES: UNLESS OTHERWISE SPECIFIED.

- EACH FIBER ADAPTER KIT IS SUPPLIED WITH COMPONENTS SHOWN.
- ADAPTER SPECIFICATIONS (MULTIMODE) 50µm, 50µm 10 GIG, 62.5µm
INSERTION LOSS (AVERAGE): PHOSPHOR BRONZE SLEEVE: ≤ 0.3 dB MAX.
SLEEVE/FERRULE WITHDRAWAL FORCE: 2.0N ~ 5.9N (200gf ~ 600gf)
- ADAPTER SPECIFICATIONS (SINGLEMODE)
INSERTION LOSS (AVERAGE): ZIRCONIA CERAMIC SLEEVE: ≤ 0.2 dB MAX.
SLEEVE/FERRULE WITHDRAWAL FORCE: 2.0N ~ 5.9N (200gf ~ 600gf)



UNCONTROLLED COPY			
UNLESS OTHERWISE SPECIFIED DIMENSIONS ARE IN INCHES. TOLERANCES: FRACTIONS ±1/32" ANGLES ±1/2° 3 PLACE DECIMALS ±.005" 2 PLACE DECIMALS ±.01"		THIS DRAWING AND THE DESIGN SHOWN ARE THE PROPERTY OF OPTICAL CABLE CORPORATION AND MAY NOT BE USED AS THE BASIS FOR MANUFACTURE OR SALE WITHOUT SPECIFIC WRITTEN PERMISSION OF OPTICAL CABLE CORPORATION.	
DRAWN	D.A.HOLBERT	DATE	5/20/09
CHECKED	R.B.SMITH	DATE	5/20/09
ENGINEER	J.YANIK	DATE	5/20/09
APPROVED	R.B.SMITH	DATE	5/20/09
PREVIOUS DWG			
NEXT DWG		FILENAME	C:109673D.DFT
MATERIAL	SEE BILL OF MATERIAL		
FINISH	SEE NOTES		



5290 Concourse Drive
Roanoke, VA 24019
Phone: 800-622-7711
Fax: 540-265-0724
www.occfiber.com

DWG TITLE				CUSTOMER DRAWING, ADAPTER PLATE ASSEMBLY, QUAD LCX12, 24 PORT, SM/MM	
SIZE	B	DWG NO.	C109673	REV	D
SCALE:	NONE	SHEET	1 OF 1		