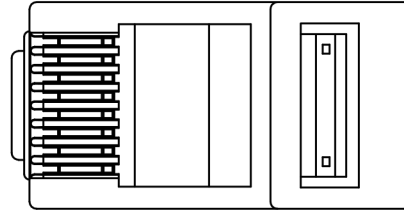
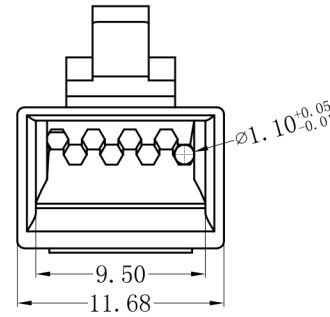
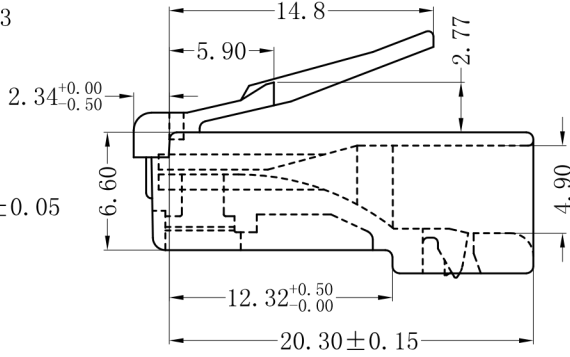
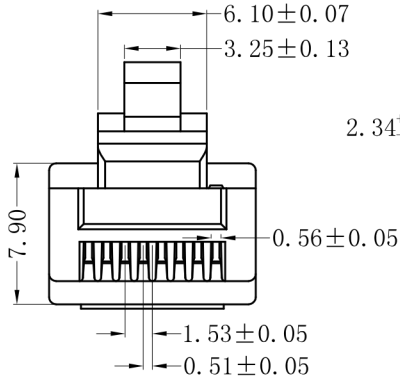
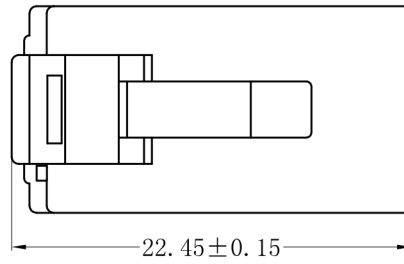


CHANGE			
EDITI	MODIFICATION	UPDATE DATE	SIGNATURE



Inspection for Environmental Protection:
Based on the performed tests on submitted sample, the test results are Compliant with the limits of RoHS and REACH.

Electrical Test:
A. 250V AC max, at 2 A.
B. Dielectric withstanding 1000V DC/min, <0.5A.
C. Insulation Resistance: >500 MΩ, 1000V DC/min.
D. Contact Resistance: <20 MΩ.

Mechanical:
A. Cable-to-plug tensile strength-20LBs (89N) min.
B. Durability: 2000 mating cycles.

Operating Temperature: -40°C ~ +125°C.

TERMINAL	2405	2385	2470	2333S (TW)	2348S (TW)	OTHER		
DRAWING								
MARK		✓	✓					
GOLD PLATING	FMU"	1U"	3U"	6U"	15U"	30U"	50U"	OTHER
MARK							✓	

Weltron®

VEND		PRODUCT NO		PRODUCT DESCRIPTION		DWG NO		
V2003	44-751-8C6	CAT6 RJ-45 MODULAR PLUG WITHOUT LOADING BAR		PED006				
MATERIAL	UNIT	MM	SCALE	FULL	EDITI	A/0		
PC			DRAWN	Min Lee	DATE	2010.11.25		
DIMENSIONAL TOLERANCE X.X ±0.2 X.XX ±0.10 ANGULAR ±2°			THIRD ANGLE PROJECTION 		CHECK	ZhenFei Yang	DATE	2010.11.25
					APPROVAL	ShengQiang Li	DATE	2015.04.08