

4MP WiFi Network Dome Camera (2.8 mm)

WiFi IR Camera with Smart Motion Detection



- 1/3-in. 4 MP Progressive-scan CMOS Sensor
- 4MP (2560 × 1440) at 20 fps Maximum Resolution
- 2.8 mm Fixed Lens
- 2.4 GHz WiFi (IEEE802.11b/g/n), up to 80 m (262.48 ft) range
- Smart H.265+ and Smart H.264+ Dual Codec
- True Day/Night (ICR)
- Smart Motion Detection
- Maximum IR Distance 30 m (98 ft)
- IP67 Ingress Protection and IK10 Vandal Protection
- Five-year Warranty*



System Overview

The N41BL13-W offers high-resolution video and WiFi connectivity in a compact and accessible package. The camera features Smart H.265+ video compression, reducing bandwidth and storage requirements without sacrificing video quality. The camera's elegant blend of aesthetics combined with a range of easy mounting solutions provides an excellent choice for a variety of small to mid-size applications at an affordable price.

Functions

True Day/Night

A day/night mechanical IR cut filter makes this camera ideal for applications with fluctuating lighting conditions, delivering color images during the day and automatically switching to monochrome as the scene darkens.

Smart H.265+

Smart H.265+ is the optimized implementation of the H.265 codec that uses a scene-adaptive encoding strategy, dynamic GOP, dynamic ROI, flexible multi-frame reference structure and intelligent noise reduction to deliver high-quality video without straining the network. Smart H.265+ technology reduces bit rate and storage requirements by up to 70% when compared to standard H.265 video compression.

Smart Motion Detection (Human Detection Only)

Smart Motion Detection, a component of Dahua's Analytics+ technology, improves alarm accuracy and decreases the number of false alarms. The advanced SMD algorithm analyzes a scene for human motion, while filtering out other motion due to trees, leaves, animals, weather, and triggers an alarm when detected.

Cybersecurity

Dahua network cameras are equipped with a series of key cybersecurity technologies including: security authentication and authorization, access control, trusted protection, encrypted transmission, and encrypted storage. These technologies improve the camera's ability to prevent malicious access and to protect data.

ArcticPro

The Dahua ArcticPro Series of extreme-environment cameras combine temperature-tolerant components with a waterproof enclosure to ensure flawless operation in temperatures as low as -40°F (-40°C) without the need for an internal heater. The lack of a heater reduces the camera's power consumption and saves operating costs. For applications that demand high-resolution video with advanced features in extremely cold environments, the Dahua ArcticPro Series offers a camera to satisfy the most demanding requirements.

Environmental

The camera complies with an IK10 impact rating making it capable of withstanding the equivalent of 5 kg (11.02 lbs) of force dropped from a height of 40 cm (15.75 in.). Subjected and certified to rigorous dust and water immersion tests, the IP67 rating makes it suitable for demanding outdoor applications.

Technical Specification

Camera

| | |
|----------------------------|---|
| Image Sensor | 1/3-in. 4MP Progressive-scan CMOS |
| Max. Resolution | 2560 (H) × 1440 (V) |
| RAM/ROM | 64 MB / 16 MB |
| Scanning System | Progressive |
| Electronic Shutter Speed | Auto, Manual, 1/3 s to 1/100,000 s |
| Minimum Illumination | Color: 0.03 lux at F2.0(30 IRE) B/W : 0.003 lux at F2.0 (30 IRE) 0 lux (with illuminators on) |
| S/N Ratio | Greater than 56 dB |
| Illumination Distance | IR: 30 m (98.43 ft) |
| Illuminator On/Off Control | Auto, Manual, Off |
| Illuminator Number | One (1) IR Light |

Lens

| | | | | | |
|----------------------|--|---------------------|----------------------|----------------------|---------------------|
| Lens Type | Fixed-focal | | | | |
| Lens Mount | M12 | | | | |
| Focal Length | 2.8 mm | | | | |
| Maximum Aperture | F2.0 | | | | |
| Angle of View | Horizontal: 90° Vertical: 50° Diagonal: 107° | | | | |
| Iris Type | Fixed | | | | |
| Close Focus Distance | 1.0 m (3.28 ft) | | | | |
| DORI' Distance | Lens | Detect | Observe | Recognize | Identify |
| | 2.8 mm | 68 m (223.10 ft) | 27.2 m (89.24 ft) | 13.6 m (44.62 ft) | 6.8 m (22.31 ft) |

Installation Angle

| | |
|-------|--|
| Range | Pan: 0° to 360° Tilt: 0° to 90° Rotation: 0° to 360° |
|-------|--|

Video

| | | |
|--------------------------|--|-----------------------|
| Video Compression | Smart H.265+, H.265, Smart H.264+, H.264, H.264B, H.264H | |
| Stream Capability | Two (2) Streams | |
| Resolution | 4MP (2560 × 1440), 3MP (2304 × 1296), 1080p (1920 × 1080), 1.3M(1280 × 960), 720p (1280 × 720) | |
| Frame Rate | Main Stream | 2560 × 1440 at 20 fps |
| | Sub Stream | 640 × 480 at 30 fps |
| Bit Rate Control | CBR/VBR | |
| Video Bit Rate | H.264: 24 kbps to 4096 kbps H.265: 9 kbps to 4096 kbps | |
| Day/Night | Auto (ICR), Color, B/W | |
| BLC Mode | BLC, Digital WDR | |
| White Balance | Auto, Natural, Street Lamp, Outdoor, Manual, Regional Custom | |
| Gain Control | Auto | |
| Noise Reduction | 3D NR | |
| Motion Detection | Off, On (4 Zones, Rectangular) | |
| Region of Interest (RoI) | Off, On (4 Zones) | |
| Smart IR | Support | |
| Image Rotation | 0°, 180° | |
| Mirror | Off, On | |

Network

| | |
|----------------|--------------------------------|
| Network Port | RJ-45 (10/100 Base-T) |
| WiFi | 2.4 GHz WiFi (IEEE802.11b/g/n) |
| Wireless Range | Up to 80 m (262.48 ft) |

| | |
|---------------------|--|
| Network Protocol | IPv4, HTTP, TCP, UDP, ARP, RTP, RTSP, RTCP, DHCP, DNS, NTP, Multicast |
| Interoperability | ONVIF (Profile T, S, G), CGI, P2P, SDK, API |
| User/Host | 6 Users (Total Bandwidth: 36 Mbps) |
| Edge Storage | Network Attached Storage (NAS) FTP, SFTP MicroSD Card (Maximum 256 GB) |
| Web Viewer | IE, Chrome, Firefox |
| Management Software | SmartPSS Lite, DSS, DMSS |
| Mobile Client | iOS, Android |

Certification

| | |
|-------------------------------------|--|
| CE | EN62368-1 |
| Radio Equipment Directive (RED) | Radio Equipment Directive 2014/53/EU |
| Electromagnetic Compatibility (EMC) | Electromagnetic Compatibility Directive 2014/30/EU |
| FCC | 47 CFR FCC Part 15, Subpart B FCC PART 15C |

Power

| | |
|-------------------|---|
| Power Supply | 12 VDC |
| Power Consumption | Basic: 2 W Maximum (H.265 + IR Light): 4.9 W |

Environment

| | |
|--------------------------|--|
| Operating Temperature | -40 °C to 60 °C (-40 °F to 140 °F) Less than or equal to 95% RH |
| Storage Temperature | -30 °C to 60 °C (-22 °F to 140 °F) |
| Environmental Protection | IP67 |
| Vandal Protection | IK10 |

Structure

| | |
|--------------------|---|
| Casing | Metal |
| Product Dimensions | Φ110.7 mm × 88.7 mm (Φ4.33 in. × 3.49 in.) |
| Net Weight | 414 g (0.91 lb) |
| Gross Weight | 592 g (1.31 lb) |

Analytics+ Functions²

| | |
|-------------------------------------|---|
| Smart Motion Detection ³ | <ul style="list-style-type: none"> Differentiates between and classifies humans Filters false alarms due to leaves, lights, animals, and other inconsequential objects. Extracts humans from recorded video for quick target search and retrieval. |
|-------------------------------------|---|

Intelligent Video System Functions²

| | |
|--|---|
| IVS triggers an alarm and takes a defined action for the following events: | |
| Standard Features | <ul style="list-style-type: none"> Tampering with the camera. Error writing to an onboard Micro SD card. Error sending or receiving data over the network. Unauthorized access to the camera. |
| Premium Features | |
| Motion | An object moves through any part of the scene. |

| Ordering Information | | |
|----------------------|---------------------|---|
| Type | Model | Description |
| 4MP Camera | N41BL13-W | 4MP IR Fixed-focal WiFi Dome Network Camera |
| Accessories | NBS05C120050VE | 12V DC/0.5A Power Adapter |
| | PFA136 | Junction Box |
| | PFB203W | Wall Mount |
| | DH-PFA109 + PFB220C | Ceiling Mount |
| | PFB203W + PFA152-E | Pole Mount |
| | DH-PFM900-E | Integrated Mount Tester |
| | DHI-TF-P100 Series | Micro SDCX Card |

Accessories

Included



NBS05C120050VE
12V DC/0.5A
Power Adapter

Optional



PFA136
Junction Mount



PFB203W
Wall Mount



DH-PFA109 + PFB220C
Ceiling Mount



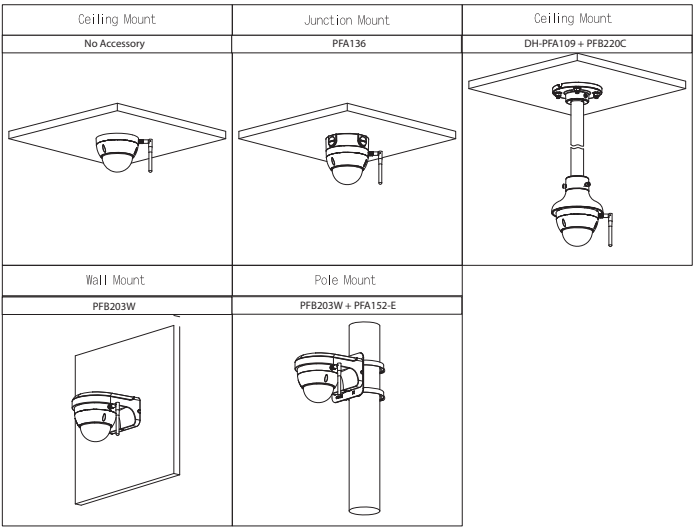
PFB203W + PFA152-E
Pole Mount



DH-PFM900-E
Integrated
Mount Tester



DHI-TF-P100 Series
Micro SDCX Card



Dimensions

