

# 4K Night Color 2.0 HDCVI Eyeball Camera

Fixed Lens True Wide Dynamic Range with White-light LEDs



## HDCVI



- 1/2.8-in. Progressive-scan 8MP CMOS Sensor
- 8MP (3840 x 2160) at 15 fps Maximum Resolution
- 2.8 mm Fixed Lens
- Night Color Technology with White-light LEDs for Color Images in Total Darkness
- Super Adapt, True WDR (120 dB) and 3D Noise Reduction
- ArcticPro Series Camera — Operational down to  $-40^{\circ}\text{C}$  ( $-40^{\circ}\text{F}$ )
- Supports Multiple Video Formats: HDCVI, CVBS, AHD and TVI
- Built-in Microphone
- IP67 Ingress Protection
- Five-year Warranty\*



## System Overview

Experience the superior clarity of Dahua's 4K HDCVI camera for vast coverage and superior image details. The 4K HDCVI series leverages existing coax infrastructures to deliver forensic-level images seamlessly and over long distances. The camera offers a 2.8 mm fixed lens, a multi-language On-screen Display, and HD/SD switchable output. The camera is ideal for hosting diverse applications — Night Color and True Wide Dynamic Range allow the camera to operate in any lighting condition and the IP67 rating makes the camera suitable for the harshest environments.

## Functions

### Night Color Technology

Dahua cameras with Night Color Technology incorporate a high-performance sensor and a large aperture lens to produce crisp, clear color images in low light environments. This light-sensitive technology allows the camera to capture more available light and reproduce color images with superior detail and contrast. The Night Color camera incorporates white-light LEDs to offer full-color images in total darkness, as well as an effective visual deterrent. This technology provides smart illumination where the camera automatically activates the white-light illuminators when ambient light levels fall and adjusts exposure time and LED intensity to prevent overexposing the image.

### Three Signals over One Coaxial Cable

HDCVI technology simultaneously transmits video, audio, and data over a single coaxial cable. Dual-way data transmission allows the HDCVI camera to communicate with an HCVR to send control signals or to trigger alarms.

### Super Adapt

Super Adapt technology monitors external lighting conditions and automatically adjusts the camera settings to provide optimal video images, whether indoors or outdoors. Plus, with this technology installers no longer have to take time to set the optical parameters manually, the camera automatically adjusts to the optimal settings, saving time and money.

## Simplicity

HDCVI technology seamlessly integrates traditional analog surveillance systems with upgraded, high-quality HD video, making it the best choice to protect security investments. The plug and play approach enables full HD video surveillance without the hassles of configuring a network.

## Broadcast-quality Audio

Audio information is used as supplementary evidence in video surveillance applications. This HDCVI camera transmits audio signals over the coaxial cable, eliminating the need for separate audio wiring. In addition, the camera uses unique audio processing and transmission technology that eliminates noise to best duplicate source audio, guaranteeing high-quality and highly effective audio information.

## Multiple-format Support

The camera supports multiple video formats including, HDCVI, CVBS, AHD, and TVI. The camera can switch between these four formats via the switch located on the video output cable, making the camera compatible with not only HDCVI DVRs but also most existing HD/SD DVRs.

## True Wide Dynamic Range

The camera achieves vivid images, even in the most intense contrast lighting conditions, using industry-leading wide dynamic range (WDR) technology. For applications with both bright and low lighting conditions that change quickly, True WDR (120 dB) optimizes both the bright and dark areas of a scene at the same time to provide usable video.

## Protection

The camera is subjected to rigorous dust and water immersion tests and certified to the IP67 Ingress Protection rating making it suitable for demanding outdoor applications. The camera allows for  $\pm 30\%$  input voltage tolerance, suitable for the most unstable conditions for outdoor applications, and its 4KV lightning rating provides effective protection for both the camera and its structure against lightning.

## Technical Specification

### Image Sensor

|                            |   |
|----------------------------|---|
| Image Sensor               | 1/2.8-in. 8MP CMOS Sensor                             |
| Max. Resolution            | 3840(H) × 2160(V), 8MP                                |
| Scanning System            | Progressive   |
| Electronic Shutter Speed   | 1/4 s to 1/100,000 s                                  |
| S/N Ratio                  | > 65 dB   |
| Min. Illumination          | Color: 0.001 Lux at F1.0<br>0 lux with White Light on |
| Illumination Distance      | Up to 40 m (131.23 ft)                                |
| Illuminator On/Off Control | Auto, Manual  |
| Illuminator Number         | Two (2)   |

### Lens

|                      |   |
|----------------------|---|
| Lens Type            | Fixed-focal   |
| Mount Type           | M12   |
| Focal Length         | 2.8 mm  |
| Max. Aperture        | F1.0  |
| Angle of View        | Horizontal: 106°<br>Vertical: 55°<br>Diagonal: 125° |
| Iris Type            | Fixed   |
| Close Focus Distance | 2.0 m (6.56 ft)                                     |

### DORI Distances<sup>1</sup>

| DORI Distances <sup>1</sup> | Detect<br>(8 ppf)    | Observe<br>(19 ppf)  | Recognize<br>(38 ppf) | Identify<br>(76 ppf) |
|-----------------------------|----------------------|----------------------|-----------------------|----------------------|
|                             | 91.0 m<br>(298.6 ft) | 36.4 m<br>(119.4 ft) | 18.2 m<br>(59.7 ft)   | 9.1 m<br>(29.9 ft)   |

### Pan / Tilt / Rotation

|                         |  |
|-------------------------|--|
| Pan/Tilt/Rotation Range | Pan: 0° to 360°<br>Tilt: 0° to 78°<br>Rotation: 0° to 360° |
|-------------------------|--|

### Video

|                   |   |
|-------------------|---|
| Resolution Output | 4K (3840 × 2160); 5MP (2592 × 1944); 4MP (2560 × 1440); 960 H (960 × 480)   |
| Frame Rate        | CVI: 4K (3840 × 2160) at 15 fps;<br>5MP (2880 × 1620) at 25 fps;<br>4MP (2560 × 1440) at 30 fps<br>AHD: 4K at 15 fps<br>TVI: 4K at 15 fps<br>CVBS: 960H |
| BLC Mode          | BLC, HLC, WDR, HLC-Pro  |

|                 |                             |
|-----------------|-----------------------------|
| WDR             | 120 dB                      |
| White Balance   | Auto, Area White Balance    |
| Gain Control    | Auto, Manual                |
| Noise Reduction | 3D NR                       |
| Smart Light     | Yes                         |
| Mirror          | On, Off                     |
| Privacy Masking | On, Off (8 area, rectangle) |

### Interface

|              |   |
|--------------|---|
| Video Output | One (1) BNC, Transmits HDCVI High-definition signal or CVBS, AHD or TVI Channel, DIP Switch |
| Audio Input  | One (1) Built-in Microphone   |

### Certifications

|                                     |  |
|-------------------------------------|--|
| CE                                  | EN55032, EN61000, EN55024, EN55035, EN50130, EN62368 |
| Safety                              | UL62368-1<br>CAN/CSA C22.2 No.62368-1-14             |
| Electromagnetic Compatibility (EMC) | CFR 47 FCC Part 15 Subpart B<br>ANSI C63.4-2014      |

### Electrical

|                   |   |
|-------------------|---|
| Power Supply      | 12VDC ±30%                                  |
| Power Consumption | Maximum 6.9 W (12V DC, with white light on) |

### Environmental

|                      |   |
|----------------------|---|
| Operating Conditions | -40° C to +60° C (-40° F to +140° F)<br>Less than 95% RH (non-condensation) |
| Storage Conditions   | -40° C to +60° C (-40° F to +140° F)<br>Less than 95% RH                    |
| Ingress Protection   | IP67  |

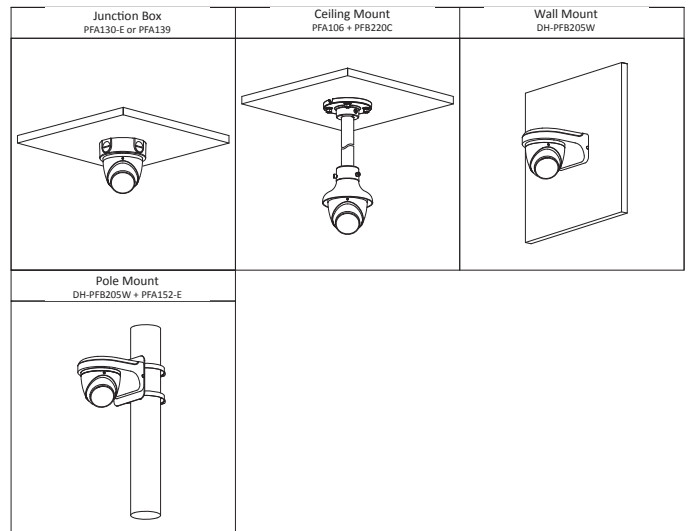
### Construction

|                   |                                      |
|-------------------|--------------------------------------|
| Casing            | Metal                                |
| Camera Dimensions | φ106.0 mm × 93.6 mm (φ4.17" × 3.69") |
| Net Weight        | 0.50 kg (1.1 lb)                     |
| Gross Weight      | 0.67 kg (1.48 lb)                    |

1. The DORI distance is a measure of the general proximity for a specific classification to help pinpoint the right camera for your needs. The DORI distance is calculated based on sensor specifications and lab test results according to EN 62676-4, the standard that defines the criteria for the Detect, Observe, Recognize and Identify classifications.

**Ordering Information**

| Type                   | Part Number   | Description   |
|------------------------|---------------|---|
| 8MP HDCVI Camera       | A82CJN2       | 8MP Night Color 2.0 HDCVI 2.8mm Fixed Lens Eyeball Camera |
| Accessories (optional) | PFA106        | Mount Adapter   |
|                        | PFA117        | Extension Pole for PFB220C                                |
|                        | PFA130-E      | Waterproof Junction Box                                   |
|                        | PFA139        | Junction Box  |
|                        | PFA150        | Pole Mount (use with PFA106 and PFB305W)                  |
|                        | PFA151        | Corner Mount (use with PFA106 and PFB305W)                |
|                        | PFA152-E      | Pole Mount (use with PFA130-E, PFA139, or DH-PFB205W)     |
|                        | DH-PFA200G    | Gang Box Adapter  |
|                        | DH-PFB205W    | Wall Mount (use alone or with PFA152-E pole mount)        |
|                        | PFB220C       | Pole Mount (use with PFA106 mount adapter)                |
|                        | PFB305W       | Wall Mount (use PFA106 mount adapter)                     |
|                        | DH-PFM321D-US | 12 VDC, 1 A Power Adapter                                 |
|                        | DH-PFM800-4K  | 4K Passive HDCVI Balun                                    |



**Accessories**

**Optional:**



**Dimensions (mm[inch])**

