

iDS-2CD7A45G0-IZHSY

4 MP 25x IR Varifocal Bullet Network Camera



DeepinView^{series}

- High Quality Imaging with 4 MP Resolution
- 25x Optical Zoom Captures Details in Remote Area
- Clear Imaging Against Strong Backlight with 140 dB WDR Technology
- Efficient H.265+ Compression Technology to Save Bandwidth and Storage
- Built-in Heater on Front Viewing Window for Clear Image in Snowy Weather
- Built-in Gyroscope for Stable Image Output
- Water and Dust Resistant (IP67) and Vandal Proof (IK10)

Face Captures

With embedded deep learning based algorithms, the camera is able to give the best shot of a target face through detecting, tracking, capturing, grading, and selecting. The camera captures faces and outputs features such as gender, age, and expression. The camera uses its face exposure function to dynamically adjust face area exposure of captures and ensures high face picture quality.

Perimeter Protection

With embedded deep learning based target detection and classification algorithms, the camera carries out perimeter protection, monitoring the actions of line crossing, intrusion, region entrance, and region exiting. The algorithms greatly filter out mistaken alarms caused by the interference of leaves, lights, animals, flags, etc.

Multi-Target-Type Recognition

With the embedded deep learning algorithms, the camera detects and captures faces, human bodies, and vehicles in the specified region and outputs features such as gender, age, top color, and vehicle type.

Available Model

iDS-2CD7A45G0-IZHSY (4.7 mm to 118 mm)



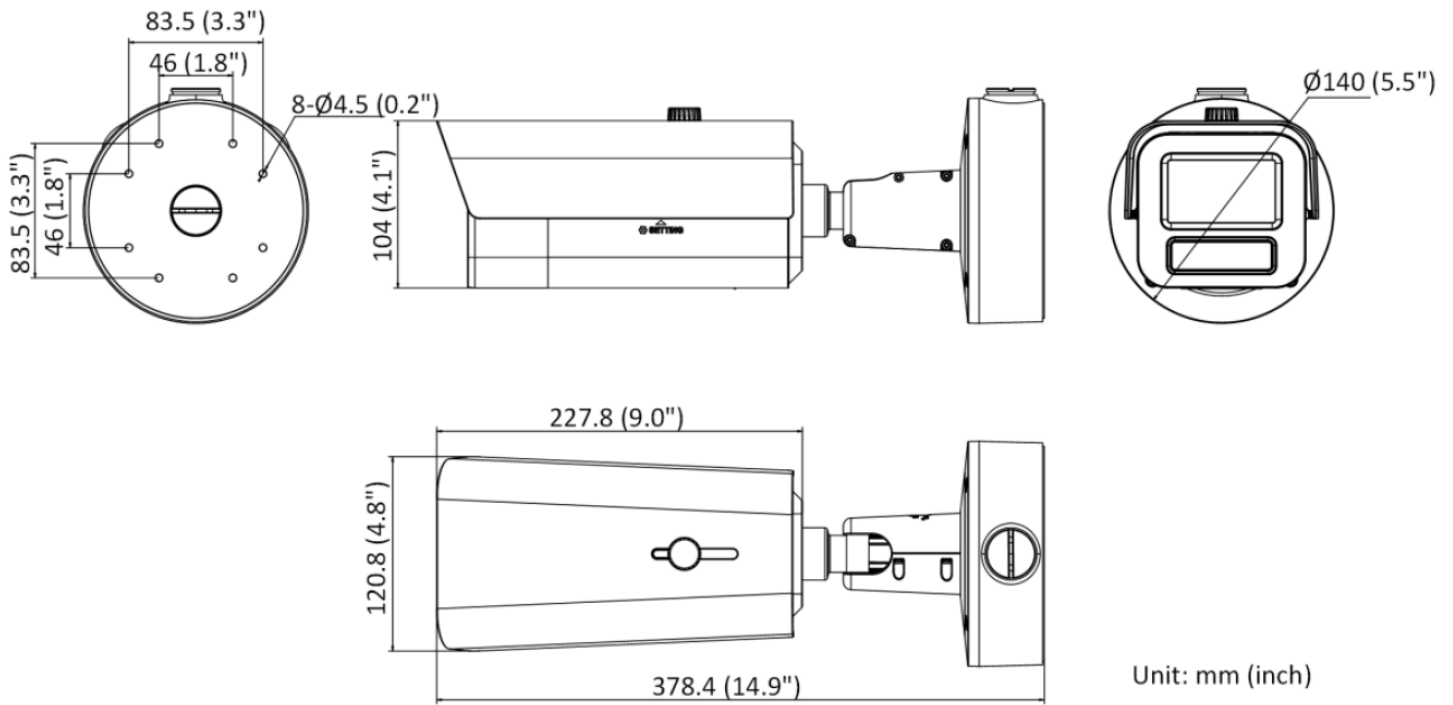
Specifications

iDS-2CD7A4560-IZHSY	
Camera	
Image Sensor	1/2.5" progressive scan CMOS
Maximum Resolution	2688 × 1520
Minimum Illumination	Color: 0.009 lux @ (f/1.6, AGC on), B/W: 0.0018 lux @ (f/1.6, AGC on), 0 lux with IR
Shutter Speed	1 s to 1/30,000 s
Day/Night	IR cut filter
Angle Adjustment	Pan: 0° to 355°, tilt: 0° to 90°, rotate: 0° to 360°
Lens	
Focal Length and FOV	4.7 mm to 118 mm, horizontal FOV 55.8° to 2.8°, vertical FOV 32.3° to 1.6°, diagonal FOV 63° to 3°
Focus	Auto, semi-auto, manual
Iris Type	P-iris
Aperture	4.7 mm to 118 mm: f/1.6 to f/3.8
Illuminator	
Supplement Light Type	IR
Supplement Light Range	Up to 200 m (660 ft)
Smart Supplement Light	Yes
IR Wavelength	850 nm
Video	
Main Stream	50 Hz: 25 fps (2688 × 1520, 2560 × 1440, 1920 × 1080, 1280 × 720) 50 fps (2560 × 1440, 1920 × 1080, 1280 × 720) 60 Hz: 30 fps (2688 × 1520, 2560 × 1440, 1920 × 1080, 1280 × 720) 60 fps (2560 × 1440, 1920 × 1080, 1280 × 720)
Sub-Stream	50 Hz: 25 fps (704 × 576, 640 × 480) 60 Hz: 30 fps (704 × 480, 640 × 480)
Third Stream	50 Hz: 25 fps (1920 × 1080, 1280 × 720, 704 × 576, 640 × 480) 60 Hz: 30 fps (1920 × 1080, 1280 × 720, 704 × 480, 640 × 480)
Fourth Stream	50 Hz: 25 fps (704 × 576, 640 × 480) 60 Hz: 30 fps (704 × 480, 640 × 480)
Fifth Stream	50 Hz: 25 fps (704 × 576, 640 × 480) 60 Hz: 30 fps (704 × 480, 640 × 480)
Video Compression	Main stream: H.265+/H.265/H.264+/H.264 Sub-stream/fourth stream/fifth stream: H.265/H.264/MJPEG third stream: H.265/H.264
Video Bit Rate	32 Kbps to 8 Mbps
H.264 Type	Baseline Profile/Main Profile/High Profile
H.265 Type	Main Profile
Bit Rate Control	CBR/VBR
Scalable Video Coding (SVC)	H.264 and H.265 encoding
Region of Interest (ROI)	4 fixed regions for each stream
Target Cropping	Yes
e-PTZ	Supports patrol and auto-tracking settings
Audio	
Audio Compression	G.711/G.722.1/G.726/MP2L2/PCM/AAC/MP3
Audio Type	Mono sound
Audio Sampling Rate	8 kHz/16 kHz/32 kHz/44.1 kHz/48 kHz
Environment Noise Filtering	Yes
Audio Bit Rate	64 Kbps (G.711)/16 Kbps (G.722.1)/16 Kbps (G.726)/32 to 192 Kbps (MP2L2)/16 to 64 Kbps (AAC)/8 to 320 Kbps (MP3)
Network	
Protocols	TCP/IP, ICMP, HTTP, HTTPS, FTP, SFTP, SRTP, DHCP, DNS, DDNS, RTP, RTSP, RTCP, PPPoE, NTP, UPnP, SMTP, SNMP, IGMP, 802.1x, QoS, IPv6, UDP, Bonjour, SSL/TLS
Simultaneous Live View	Up to 20 channels
API	Open Network Video Interface (PROFILE S, PROFILE G, PROFILE T), ISAPI, SDK, ISUP
User/Host	Up to 32 users; 3 user levels: administrator, operator, and user
Security	Password protection, complicated password, HTTPS encryption, 802.1x authentication (EAP-TLS, EAP-LEAP, EAP-MD5), watermark, IP address filter, basic and digest authentication for HTTP/HTTPS, WSSE and digest authentication for Open Network Video Interface, RTP/RTSP OVER HTTPS, Control Timeout Settings, Security Audit Log, TLS 1.2
Network Storage	NAS (NFS, SMB/CIFS), auto network replenishment (ANR); together with high-end Hikvision memory card, memory card encryption, and health detection are supported.
Client	iVMS-4200, Hik-Connect, HikCentral
Web Browser	Plug-in required live view: IE10+; plug-in free live view: Chrome 57.0+, Firefox 52.0+, Safari 12+; local service: Chrome 57.0+, Firefox 52.0+





Specifications

iDS-2CD7A45G0-IZHSY	
Image	
Image Parameters Switch	Yes
Image Settings	Saturation, brightness, contrast, sharpness, white balance, and AGC adjustable by client software or Web browser
Day/Night Switch	Day, Night, Auto, Schedule
Wide Dynamic Range (WDR)	140 dB
Image Enhancement	BLC, HLC, Defog, 3D DNR
SNR	≥52 dB
Privacy Mask	8 programmable polygon privacy masks, mask color, or mosaic configurable
Picture Overlay	Logo picture can be overlaid on video in 24-bit 128 × 128 bmp
Image Stabilization	EIS (Built-in gyroscope to improve EIS performance)
Interface	
Video Output	1 Vp-p composite output (75 Ω/CVBS) (only for debugging)
Ethernet Interface	1 RJ-45 10 M/100 M/1000 M self-adaptive Ethernet port
On-Board Storage	Built-in memory card slot, supports microSD/microSDHC/microSDXC card, up to 256 GB
Audio	1 input (line in), 3.5 mm connector, maximum input amplitude: 3.3 vpp, input impedance: 4.7K Ω, interface type: non-equilibrium; 1 output (line out), 3.5 mm connector, maximum output amplitude: 3.3 vpp, output impedance: 100 Ω, interface type: non-equilibrium
Alarm	2 inputs, 2 outputs (maximum 24 VDC, 1 A)
RS-485	1 RS-485 (half duplex, HIKVISION, Pelco-P, Pelco-D, self-adaptive)
Reset Key	Yes
Power Output	12 VDC, maximum 100 mA
Event	
Basic Event	Motion detection (support alarm triggering by specified target types (human and vehicle)), video tampering alarm, exception (network disconnected, IP address conflict, illegal login, abnormal reboot, HDD full, HDD error), video quality diagnosis, vibration detection
Smart Event	Line crossing detection, intrusion detection, region entrance, region exiting (support alarm triggering by specified target types (human and vehicle)); scene change detection, audio exception detection, defocus detection
Linkage	Upload to FTP/NAS/memory card, notify surveillance center, send email, trigger alarm output, trigger recording, trigger capture
Deep Learning Function	
Multi-target-type Detection	Detects up to 60 targets simultaneously; supports simultaneous detection and capture of human body, face, and vehicle; gets 7 face features, 13 human body features, and 2 vehicle features
Face Capture	Detects up to 60 faces simultaneously; supports swing left and right from -60° to 60°, tilt up and down from -30° to 30°; uploads face with background and closed-up face pictures
General	
Power	12 VDC ±20%, 1.73 A, maximum 20.7 W, three-core terminal block 24 VAC ±20%, 1.31 A, maximum 19.9 W, three-core terminal block PoE: 802.3at, Type 2, Class 4, 42.5 V to 57 V, 0.46 A to 0.35 A, maximum 19.5 W
Material	Aluminum alloy body
Dimension	Ø140 mm × 378.4 mm (Ø5.5" × 14.9")
Package Dimension	425 mm × 190 mm × 180 mm (16.7" × 7.5" × 7.1")
Weight	Approximately 2160 g (4.8 lb)
With Package Weight	Approximately 3310 g (7.3 lb)
Storage Conditions	-40° to 60° C (-40° to 140° F), humidity 95% or less (non-condensing)
Startup and Operating Conditions	-40° to 60° C (-40° to 140° F), humidity 95% or less (non-condensing)
Language	33 languages: English, Russian, Estonian, Bulgarian, Hungarian, Greek, German, Italian, Czech, Slovak, French, Polish, Dutch, Portuguese, Spanish, Romanian, Danish, Swedish, Norwegian, Finnish, Croatian, Slovenian, Serbian, Turkish, Korean, Traditional Chinese, Thai, Vietnamese, Japanese, Latvian, Lithuanian, Portuguese (Brazil), Ukrainian
General Function	5 streams, heartbeat, mirror, privacy mask, flash log, password reset via e-mail, pixel counter
Heater	Yes
De-icing	Yes
Approvals	
EMC	FCC (47 CFR Part 15, Subpart B); CE-EMC (EN 55032: 2015, EN 61000-3-2:2019, EEN 61000-3-3:2013+A1:2019, EN 50130-4: 2011+A1: 2014); RCM (AS/NZS CISPR 32: 2015); IC (ICES-003: Issue 7); KC (KN 32: 2015, KN 35: 2015)
Safety	UL (UL 62368-1); CB (IEC 62368-1:2014+A11); CE-LVD (EN 62368-1:2014/A11:2017); BIS (IS 13252 (Part 1):2010/IEC 60950-1 : 2005); LOA (IEC/EN 60950-1)
Environment	CE-RoHS (2011/65/EU); WEEE (2012/19/EU); Reach (Regulation (EC) No 1907/2006)
Protection	IK10 (IEC 62262:2002), IP67 (IEC 60529-2013)
Anti-Corrosion Protection	NEMA 4X (NEMA 250-2018)
Other	PVC FREE

Dimensions



Accessories

NOT INCLUDED				
				
DS-1275ZJ-S-SUS Vertical Pole Mount	CM1 Corner Mount	DS-1476ZJ-Y Non-Corrosive Corner Mount	DS-1475ZJ-Y Non-Corrosive Vertical Pole Mount	PM1 Vertical Pole Mount