

UNIVERSAL MOUNT LOW PROFILE SPEAKER AND CEILING MOUNT LOW PROFILE SPEAKER/STROBE

ADDITIONAL CAN/ULC LISTED PRODUCT INFORMATION IS FOUND ON PAGE 4

MODELS

- SSPKCLP*..... LOW PROFILE CEILING OR WALL MOUNT SPEAKER WITHOUT STROBE
- SSPK24CLP*..... LOW PROFILE CEILING MOUNT SPEAKER WITH SELECTABLE STROBE
- SSPKR24C*..... LOW PROFILE CEILING MOUNT SPEAKER WITH SELECTABLE STROBE AND RED LENS

* Includes one or more of the following designators, P (plain), A (ALERT), R (red) or W (white).

I. INTRODUCTION

The Gentex SSPKCLP/SSPK24CLP/SSPKR24C is a high quality speaker and speaker/strobe ANSI/UL Listed for fire protective signaling systems. The high intensity strobe utilizes a Xenon flash tube which generates a high-intensity light visible from all sides. The SSPK24CLP strobe is ANSI/UL Listed in compliance with ANSI/UL 1971, Signaling Appliances for the Hearing Impaired. The SSPKR24 strobe is ANSI/UL Listed in compliance with ANSI/UL 1638, Visual Signaling Appliances - Private Mode Emergency and General Signaling.

II. PRODUCT INFORMATION

The SSPKCLP/SSPK24CLP/SSPKR24 Series speaker and speaker/strobe offer a choice of field selectable power taps, 1/8, 1/4, 1/2, 1, 2 and 4 Watts for either 25v or 70.7v audio amplifiers. The SSPK24CLP speaker/strobe offers the option of a high intensity strobe which complies with ANSI/UL 1971. The SSPKR24 speaker/strobe offers the option of a high intensity strobe which complies with ANSI/UL 1638. The frequency range of the speakers is 400-4000Hz. All devices are suitable for line supervision. Speaker includes DC blocking capacitor which allows for supervision voltage of either polarity.

III. LOCATION

This appliance is intended for use in fire alarm systems and is to be installed in accordance with this installation manual, the recommendation of the local authorities having jurisdiction, and other NFPA Standards that provide standards on notification appliances for protective signaling systems. The Gentex SSPKCLP/SSPK24CLP/SSPKR24 Series is intended for indoor installation only. This appliance is **not** listed for **outdoor** or drip proof applications.

SSPK24CLP PRODUCT INFORMATION

Room Spacing for Ceiling-Mounted Visible Appliances per NFPA 72, 2013 Edition				
Maximum Room Size		Minimum Required Light Output (Effective Intensity, Cd; One Light)		
		Maximum Ceiling Height		
Meters	Feet	10 Foot Ceiling	20 Foot Ceiling	30 Foot Ceiling
6.10 x 6.10	20 x 20	15	30	55
9.14 x 9.14	30 x 30	30	45	75
13.4 x 13.4	44 x 44	75	75	NA
15.2 x 15.2	50 x 50	NA	NA	95

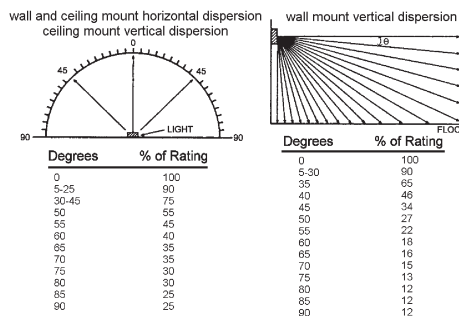
NA = Not allowable

**Effective Intensity Requirements for Sleeping Area

Visible Notification Appliance

Distance from Ceiling to Top of Lens	Intensity
greater than or equal to 24" (610mm)	110 Cd
less than 24" (610mm)	177 Cd

LIGHT OUTPUT IN PERCENTAGE WHEN MEASURED FROM THE FOLLOWING DIRECTIONS - PER UL1971



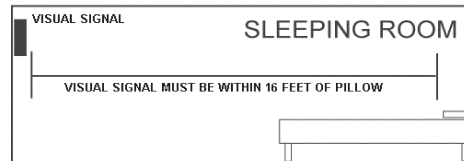
WARNING Visual signal must be installed within 16 feet of the pillow when used in a sleeping area.

WARNING Visual signal must be in the direct viewing area of the occupant in order to be seen.

WARNING Visual signal cannot be seen when objects such as doors, furniture or walls block strobe light.

NOTICE: VISUAL SIGNALS FOR THE HEARING IMPAIRED ARE ONLY ONE METHOD OF ALERTING THE HEARING IMPAIRED. VISUAL SIGNALS MAY NOT BE THE PREFERRED METHOD FOR NOTIFYING ALL HEARING IMPAIRED INDIVIDUALS.

NOTICE: THE STROBE LIGHT MUST BE SEEN BY THE SLEEPING PERSON. IF THE PERSON HAS HEAD TURNED OR OTHERWISE UNABLE TO BE ALERTED BY VISUAL, THE STROBE WILL NOT BE EFFECTIVE.

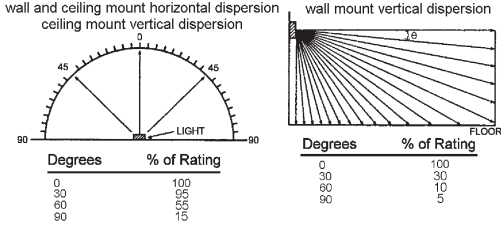


WARNING Visual signal should **NEVER** be relied upon as the primary fire alert for the hearing impaired under these common sense conditions:

- a. Sleeping face down on the bedding or pillow
 - b. Use of sleep medications of any kind
 - c. Use of alcoholic beverages or recreational drugs
 - d. Use of eye shades
 - e. If there are tendencies of deep sleep conditions
 - f. If a fire cuts power to AC circuits, the visual signal will not operate
 - g. If person is not within line of sight of visual signals
- Under these and other similar common situations an alternate fire alert method such as a non-hearing impaired attendant is needed. The visual signal only increases the chance of being alerted to the presence of fire. No system of this type can fully protect the hearing impaired in case of fire.

SSPKR24C PRODUCT INFORMATION

LIGHT OUTPUT IN PERCENTAGE WHEN MEASURED FROM THE FOLLOWING DIRECTIONS - PER UL1638



Model	Color Lens
SSPKR24C	Red

IV. ELECTRICAL SPECIFICATIONS

CLEAR Lens Strobe Current Ratings		
Use with SSPK24CLP Products		
Candela	Regulated 24VDC Max. Operating Current (mA)	Regulated 24VFWR Max. Operating Current (mA)
15	120	190
30	120	191
75	200	277
95	220	298
115	290	418

RED Lens Strobe Current Ratings		
Use with SSPKR24C Products		
Candela	Regulated 24VDC Max. Operating Current (mA)	Regulated 24VFWR Max. Operating Current (mA)
15	128	220
30	128	220
75	225	306
95	235	402
115	341	444

Field Selectable Power Tap Selection - Reverberant (dBA @ 10ft.)						
Voltage	1/8 Watt	1/4 Watt	1/2 Watt	1 Watt	2 Watt	4 Watt
25 Volts	74.6	77.7	80.5	83.1	85.6	87.9
70.7 Volts	73.7	76.7	79.6	82.5	85.4	87.9

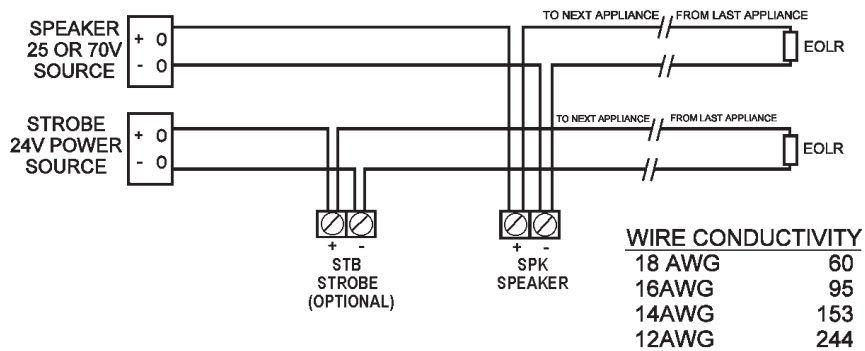
NOTICE: DC VOLTAGE RANGE LIMITS: 16-33V. FWR VOLTAGE RANGE LIMITS: 16-33V. THIS PRODUCT WAS ONLY TESTED TO THE STATED VOLTAGE RANGE(S); DO NOT APPLY 80% AND 110% OF THIS RANGE FOR SYSTEM OPERATION.

SYSTEM CONSIDERATIONS

- To select the proper wattage input for the speaker, move the jumper to the appropriate pin.
- Always maintain electrical isolation between speaker and strobe wiring on combination units.
- Do not exceed 130% of rated speaker voltage. If excessive distortion is heard, check amplifier for signal clipping. If clipping exists, reduce either amplifier input or gain.
- Four screws are provided, two for securing speaker to the back box and two for aesthetics. The two non-functional screws will be held in place by the pressure fit of the faceplate.

CAUTION: WHEN INSTALLING, ROUTE FIELD WIRING AWAY FROM SHARP PROJECTIONS, CORNERS AND INTERNAL COMPONENTS.

NOTICE: DO NOT USE LOOPED WIRE UNDER TERMINALS. BREAK WIRE RUN TO PROVIDE SUPERVISION OF CONNECTION.



*MAX. WIRE DISTANCE (IN FEET) = $\frac{\text{PANEL VOLTAGE} - \text{DEVICE MINIMUM VOLTAGE}}{\text{TOTAL CURRENT DRAW}} \times \text{WIRE CONDUCTIVITY (STROBE ONLY)}$

* INCLUDES WIRE TO AND FROM APPLIANCE.
 ASSUMES ALL APPLIANCES ARE AT THE END OF WIRE RUN (WORST CASE).

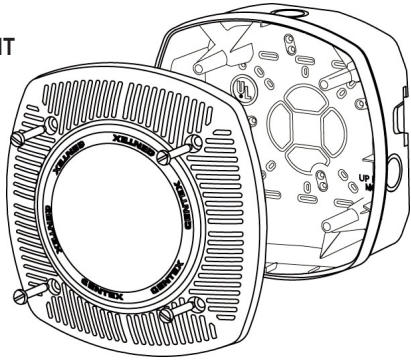
CAUTION: APPLIES ONLY TO REGULATED SUPPLIES.

NOTICE: ALL STROBES ARE DESIGNED TO FLASH AS SPECIFIED WITH CONTINUOUS APPLIED VOLTAGE. THIS APPLIANCE IS NOT RECOMMENDED FOR USE ON CODED OR PULSING SIGNALING CIRCUITS. HOWEVER, USE OF THE AVSM CONTROL MODULE IS PERMITTED TO SYNCHRONIZE THE STROBE.

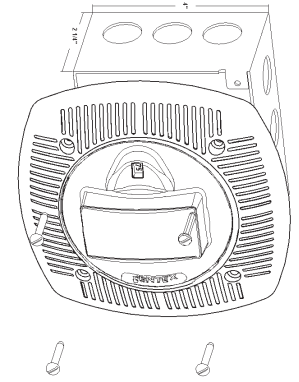
NOTICE: REFERENCE AVSM CONTROL MODULE MANUAL (550-0284, DATED 2-1-03) FOR SYNCHRONIZATION MODULE WIRING DIAGRAMS. AVSM MANUAL CAN BE OBTAINED AT [HTTP://WWW.GENTEX.COM](http://www.gentex.com) OR CALL GENTEX CORPORATION AT 1-800-436-8391.

V. MOUNTING ROUGH-IN BOX AND RUN WIRING

MOUNTING - SPEAKER TO GBLP BACK BOX WALL OR CEILING MOUNT



MOUNTING - SPEAKER/STROBE To 4" Square x 2 1/8" Deep METALLIC BACK BOX - CEILING MOUNT

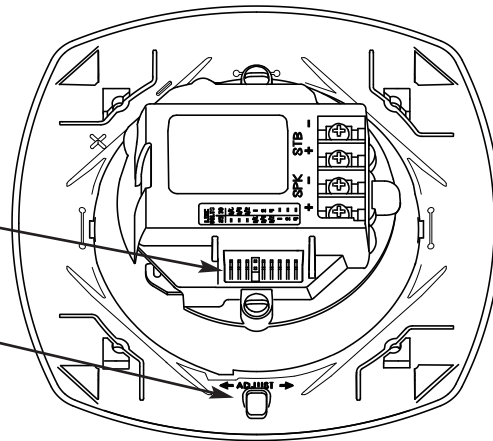


SSPKCLP FIELD SELECTABLE CANDELA SELECTOR

Adjust power taps using
needle nose pliers.

Adjust intensity by inserting small flat blade
screwdriver to turn dial. Displayed number will indicate
selected candela.

NOTICE: FIELD SELECTABLE OPTIONS OF 15, 30, 75, 95
AND 115 CANDELA.



VI. CHECKOUT AND TROUBLESHOOTING

1. Supply power to the system control panel. The auxiliary signaling device should not be activated.
2. If the signal is activated:
 - a. Check all smoke and fire detectors in the system to make sure they have not been activated.
 - b. Check all wiring connections to make sure the signal detection circuits are not reversed or shorted together. Check wire color codes and traces.
3. To test the SSPKCLP Series and other signaling appliances, trip the auxiliary panel, activate alarm circuit at the main control panel or activate one of the fire detection units in the system. All auxiliary signals should be activated.
4. An operational test on this product should be conducted in accordance with National Standards or at a minimum annually and more often if dictated by local and state codes or authorities having jurisdiction.

SIGNALING APPLIANCE LIMITATIONS:

Your speaker meets or exceeds current audibility requirements of Underwriters Laboratories. However, if the appliance is located outside a bedroom it may not wake up a sound sleeper, especially if the room door is closed or only partially open.

WARNING

THIS APPLIANCE WILL NOT OPERATE WITHOUT ELECTRICAL POWER. AS FIRES FREQUENTLY CAUSE POWER INTERRUPTIONS, GENTEX SUGGESTS YOU DISCUSS FURTHER SAFEGUARDS WITH YOUR LOCAL FIRE PROTECTION SPECIALIST.

VI. TO RETURN AN APPLIANCE

Should you experience problems with your appliance, proceed as follows:

1. Turn off electrical power to the auxiliary alarm circuit.
2. Remove mounting screw and slide signal off from bracket.
3. Replace unit that was removed to restore wiring supervision and to eliminate system trouble alert.
4. Carefully pack the defective unit (the manufacturer cannot be responsible for consequential damage due to shipping or mis-handling). Include your return address and complete details as to the nature of the difficulties being experienced and date of installation.
5. Return to: Gentex Corporation, 10985 Chicago Dr., Zeeland MI 49464. Prior to returning, call the Gentex field service department at 1-800-436-8391 or e-mail FP_RMA@gentex.com to obtain a RMA number.

ADDITIONAL INSTRUCTIONS FOR UNIVERSAL MOUNT SPEAKER AND CEILING MOUNT SPEAKER/STROBE: CAN/ULC

PRODUCT INFORMATION

This appliance is ideal for any occupancy that requires notification appliances per the applicable building or fire code or wherever dependable alarms are required. This appliance is listed in compliance with CAN/ULC S526 and/or CAN/ULC S541. This appliance offers a choice of field selectable power taps, 1/8, 1/4, 1/2, 1, 2 and 4 Watts for use with either 25VRMS or 70.7VRMS audio amplifiers. The frequency range of the speakers is 400-4000Hz. All devices are suitable for line supervision. Speaker includes DC blocking capacitor which allows for supervision voltage of either polarity. All wiring is to be in accordance with CSA C22.1 Canadian Electrical Code, Part 1, Safety Standard for Electrical Installations, Sec. 32. This appliance is intended for use in fire alarm systems and is to be installed in accordance with this manual, the National Building Code of Canada, CAN/ULC S524 and other local codes that provide standards on notification appliances for protective signaling systems. Gentex recommends spacing notification appliances in compliance with CAN/ULC S524.

Field Selectable Power Tap Selection - Anechoic (dBA @ 3 meters) Output Sound Pressure Level (OSPL)						
Voltage	1/8 Watt	1/4 Watt	1/2 Watt	1 Watt	2 Watt	4 Watt
25 Volts	79.4	82.4	85.2	87.9	90.7	93.9
70 Volts	78.8	81.9	84.6	87.6	90.5	93.4

Directional Sound Characteristic: Ceiling Mount Speaker and Speaker/Strobe	
	Horizontal Angle
-3 dBA	60
-6 dBA	20
	Vertical Angle
-3 dBA	55
-6 dBA	10

LIMITED WARRANTY

For a period of 36 months from the date of purchase or a maximum of 42 months from the date of manufacture (or as long as required by applicable law), Gentex warrants to you the original purchaser that your appliance will be free from defects in workmanship and materials under normal use and service.

This warranty does not apply and is void if damage or failure is caused by: accident, abuse, misuse, abnormal use, faulty installation, liquid contact, fire, earthquake or other external cause; operating the appliance outside Gentex's published guidelines; or service, alteration, maintenance or repairs performed by anyone other than Gentex. This warranty also does not apply to: consumable parts, such as batteries; cosmetic damage, including but not limited to scratches or dents; defects caused by normal wear and tear or otherwise due to the normal aging of the appliance, or if any serial number has been removed or defaced from the appliance.

TO THE EXTENT PERMITTED BY LAW, THIS WARRANTY AND THE REMEDIES SET FORTH HEREIN ARE EXCLUSIVE AND IN LIEU OF ALL OTHER WARRANTIES, REMEDIES AND CONDITIONS, WHETHER ORAL, WRITTEN, STATUTORY, EXPRESS OR IMPLIED. GENTEX DISCLAIMS ALL STATUTORY AND IMPLIED WARRANTIES, INCLUDING WITHOUT LIMITATION, WARRANTIES OF MERCHANTABILITY AND FITNESS FOR A PARTICULAR PURPOSE AND WARRANTIES AGAINST HIDDEN OR LATENT DEFECTS TO THE EXTENT PERMITTED BY LAW. TO THE EXTENT SUCH WARRANTIES CANNOT BE DISCLAIMED, SUCH IMPLIED WARRANTIES SHALL APPLY ONLY FOR THE WARRANTY PERIOD SPECIFIED ABOVE. PLEASE NOTE THAT SOME STATES (COUNTRIES AND PROVINCES) DO NOT ALLOW LIMITATION ON HOW LONG AN IMPLIED WARRANTY (OR CONDITION) LASTS. SO THE ABOVE LIMITATION MAY NOT APPLY TO YOU.

EXCEPT AS PROVIDED IN THIS WARRANTY AND TO THE EXTENT PERMITTED BY LAW, GENTEX WILL NOT BE LIABLE FOR ANY DIRECT, SPECIAL, INCIDENTAL OR CONSEQUENTIAL DAMAGES RESULTING FROM ANY BREACH OF WARRANTY OR CONDITION, OR ARISING IN CONNECTION WITH THE SALE, USE OR REPAIR OF THE APPLIANCE, OR UNDER ANY OTHER LEGAL THEORY, INCLUDING BUT NOT LIMITED TO LOSS OF USE, LOSS OF REVENUE, LOSS OF ACTUAL OR ANTICIPATED PROFITS, LOSS OF THE USE OF MONEY, LOSS OF BUSINESS, LOSS OF OPPORTUNITY, LOSS OF GOODWILL, AND LOSS OF REPUTATION. THE MAXIMUM LIABILITY OF GENTEX SHALL NOT IN ANY CASE EXCEED THE PURCHASE PRICE PAID BY YOU FOR THE APPLIANCE. PLEASE NOTE THAT SOME STATES (COUNTRIES AND PROVINCES) DO NOT ALLOW THE EXCLUSION OR LIMITATION OF INCIDENTAL OR CONSEQUENTIAL DAMAGES, SO THE ABOVE LIMITATION OR EXCLUSION MAY NOT APPLY TO YOU.

If a defect in workmanship or materials causes your appliance to become inoperable within the warranty period, you must return the appliance to Gentex postage prepaid to: Gentex Corporation, 10985 Chicago Dr., Zeeland MI 49464. You must prove to the satisfaction of Gentex the date of purchase of your appliance. You must also enclose a return address. Warranty service may only be performed by Gentex personnel at Gentex's facilities in Zeeland, Michigan. You must also pack the appliance to minimize the risk of it being damaged in transit. If we receive an appliance in a damaged condition as the result of shipping, we will notify you and you must seek a claim with the shipper.

If you submit a valid claim to Gentex during the warranty period, Gentex will, at its option, repair your appliance or furnish you with a new or rebuilt appliance without charge to you except for postage required to return the appliance to us. Gentex will not reimburse you for repairs or replacement parts provided by other parties. Your repaired or replacement appliance will be returned to you free of charge and it will be covered under the warranty for the balance of the warranty period, if any. When a product or part is replaced, any replacement item becomes your property and the replaced item becomes property of Gentex. For additional warranty and product information go to www.gentex.com.

THIS WARRANTY GIVES YOU SPECIFIC LEGAL RIGHTS AND YOU MAY ALSO HAVE OTHER RIGHTS WHICH VARY FROM STATE TO STATE (OR BY COUNTRY OR PROVINCE). BY THIS WARRANTY, GENTEX DOES NOT LIMIT OR EXCLUDE YOUR RIGHTS EXCEPT AS ALLOWED BY LAW. TO FULLY UNDERSTAND YOUR RIGHTS, YOU SHOULD CONSULT THE LAWS OF YOUR COUNTRY, PROVINCE OR STATE.

Important Notice:

These materials have been prepared by Gentex Corporation ("Gentex") for informational purposes only, are necessarily summary, and are not purported to serve as legal advice and should not be used as such. Gentex makes no representations and warranties, express or implied, that these materials are complete and accurate, up-to-date, or in compliance with all relevant local, state and federal laws, regulations and rules. The materials do not address all legal considerations as there is inevitable uncertainty regarding interpretation of laws, regulations and rules and the application of such laws, regulations and rules to particular fact patterns. Each person's activities can differently affect the obligations that exist under applicable laws, regulations or rules. Therefore, these materials should be used only for informational purposes and should not be used as a substitute for seeking professional legal advice. Gentex will not be responsible for any action or failure to act in reliance upon the information contained in this material.

HAUT-PARLEUR PEU ENCOMBRANT À MONTAGE UNIVERSEL ET HAUT-PARLEUR STROSCOPE DE PLAFOND PEU ENCOMBRANT

POUR DES RENSEIGNEMENTS SUPPLÉMENTAIRES SUR L'HOMOLOGATION CAN/ULC DU PRODUIT, VOIR LA PAGE 4.

MODÈLES

- SSPKCLP*..... HAUT-PARLEUR MURAL OU DE PLAFOND PEU ENCOMBRANT SANS STROSCOPE
- SSPK24CLP*..... HAUT-PARLEUR DE PLAFOND PEU ENCOMBRANT AVEC STROSCOPE SÉLECTIONNABLE
- SSPKR24C*..... HAUT-PARLEUR DE PLAFOND PEU ENCOMBRANT AVEC STROSCOPE SÉLECTIONNABLE ET LENTILLE ROUGE

* Comprend au moins un des indicatifs suivants : A (ALERTE), P (uni – sans texte), R (rouge) ou W (blanc).

I. INTRODUCTION

La série SSPKCLP/SSPK24CLP/SSPKR24C de Gentex comprend des haut-parleurs et des haut-parleurs stroboscopes de grande qualité, homologués ANSI/UL, pour les systèmes de signalisation et de protection incendie. Le stroboscope haute intensité fait appel à un tube à éclair au xénon qui émet un puissant flash à haute intensité visible quel que soit l'angle. Le stroboscope SSPK24CLP est homologué conformément à la norme ANSI/UL 1971, Appareils de signalisation pour les personnes souffrant de problèmes d'audition. Le stroboscope SSPKR24 est homologué conformément à la norme ANSI/UL 1638, Appareils de signalisation visuelle – Urgences privées et signalisation générale.

II. RENSEIGNEMENTS SUR LE PRODUIT

La série de haut-parleurs et de haut-parleurs stroboscopes SSPKCLP/SSPK24CLP/SSPKR24 offre un choix de prises de puissance sélectionnables sur place de 1/8, 1/4, 1/2, 1, 2 et 4 watts pouvant être utilisées avec des amplificateurs audio de 25 V RMS ou 70,7 V RMS. Le haut-parleur stroboscope SSPK24CLP offre l'option d'un stroboscope à haute intensité, conforme à la norme ANSI/UL 1971. Le haut-parleur stroboscope SSPKR24 offre l'option d'un stroboscope à haute intensité, conforme à la norme ANSI/UL 1638. La plage de fréquences du haut-parleur varie de 400 à 4000 Hz. Tous les dispositifs sont compatibles avec la surveillance de ligne. Le haut-parleur comprend un condensateur de blocage c.c. qui permet la supervision de tension sans égard à la polarité.

III. EMBLACEMENT

Cet appareil est destiné à l'intégration aux systèmes d'alarme incendie et doit être installé conformément au présent manuel, aux recommandations des autorités compétentes locales et aux normes NFPA établissant les normes pour les appareils de signalisation des systèmes de signaux de protection. Les modèles SSPKCLP/SSPK24CLP/SSPKR24 de Gentex doivent uniquement être installés à l'intérieur. Cet appareil n'est pas homologué pour les applications extérieures ni pour les endroits exposés.

RENSEIGNEMENT SUR LE PRODUIT SSPK24CLP

Espace dans la pièce pour des appareils de signalisation visuelle installés au plafond, selon la norme NFPA 72, Édition 2013				
Taille maximum de la pièce		Puissance lumineuse minimum exigée (intensité efficace, cd; un tube)		
		Hauteur maximum du plafond		
Mètres	Pieds	Plafond de 10 pieds	Plafond de 20 pieds	Plafond de 30 pieds
6,10 x 6,10	20 x 20	15	30	55
9,14 x 9,14	30 x 30	30	45	75
13,4 x 13,4	44 x 44	75	75	N.A.
15,2 x 15,2	50 x 50	N.A.	N.A.	95

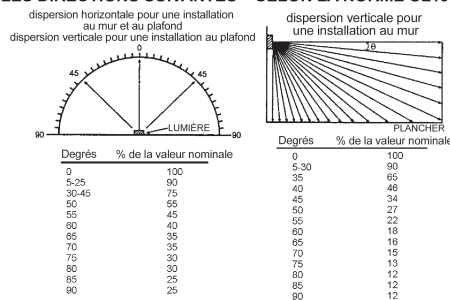
N.A. = Non autorisé

**Exigences d'intensité efficace pour les chambres à coucher

Appareil de signalisation visuelle

Distance entre le plafond et le dessus de la lentille	Intensité
supérieure ou égale à 24 po (610 mm)	110 cd
et inférieure à 24 po (610 mm)	177 cd

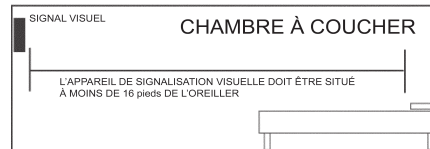
POURCENTAGE DE L'INTENSITÉ LUMINEUSE MESURÉE DANS LES DIRECTIONS SUIVANTES – SELON LA NORME UL1971



AVERTISSEMENT L'appareil de signalisation visuelle doit être installé à moins de 16 pieds de tout oreiller lorsqu'il est placé dans une chambre à coucher.

AVERTISSEMENT Pour être aperçu, l'appareil de signalisation visuelle doit être dans la zone directe de visualisation de l'occupant.

AVERTISSEMENT Il n'est pas possible de voir l'appareil de signalisation lorsqu'il est masqué par un objet, notamment une porte, un meuble ou un mur.



AVIS : LES APPAREILS DE SIGNALISATION VISUELLE NE SONT QUE L'UNE DES MÉTHODES PERMETTANT D'ALERTER LES PERSONNES SOUFFRANT DE PROBLÈMES D'AUDITION. CES APPAREILS NE CONSTITUENT PEUT-ÊTRE PAS LA MEILLEURE MÉTHODE POUR AVISER TOUTES LES PERSONNES SOUFFRANT DE PROBLÈMES D'AUDITION.

AVIS : LE STROSCOPE DOIT ÊTRE VUE PAR UNE PERSONNE QUI DORT. SI LA PERSONNE SE TOURNE LA TÊTE OU SI ELLE NE PEUT ÊTRE ALERTÉE PAR LE SIGNAL VISUEL, LE STROSCOPE NE SERA PAS EFFICACE.

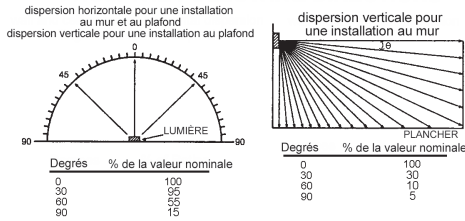
AVERTISSEMENT Un signal visuel ne devrait **JAMAIS** servir de signal principal d'alerte incendie pour une personne souffrant de problèmes d'audition, compte tenu des possibilités suivantes :

- a. La personne dort le visage enfoui dans l'oreiller ou le matelas.
- b. La personne prend des médicaments pour dormir.
- c. La personne consomme de l'alcool ou des drogues à usage récréatif.
- d. La personne porte une visière.
- e. La personne a tendance à dormir très profondément.
- f. En cas de panne de courant attribuable à un incendie, le signal visuel ne fonctionnera pas.
- g. La personne n'est pas située en vue directe de l'appareil.

Dans de telles situations et dans d'autres similaires, il faut faire appel à une autre méthode d'alerte incendie, par exemple la présence sur place d'une personne ne souffrant pas de problèmes d'audition. Le signal visuel ne fait qu'accroître les chances d'être alerté de la présence d'un incendie. Aucun système de ce type ne peut parfaitement protéger une personne souffrant de problèmes d'audition en cas d'incendie.

RENSEIGNEMENT SUR LE PRODUIT SSPK24CLP

POURCENTAGE DE L'INTENSITÉ LUMINEUSE MESURÉE DANS LES DIRECTIONS SUIVANTES – SELON LA NORME UL1638



Modèle	Lentille colorée
SSPKR24C	Rouge

IV. CARACTÉRISTIQUES ÉLECTRIQUES

Caractéristiques nominales de courant des stroboscopes à lentille TRANSPARENTE		
Utiliser avec le produit SSPK24CLP		
Candela	Tension stabilisée maximum de 24 V c.c. Courant de fonctionnement (mA)	Tension stabilisée maximum de 24 V RDA Courant de fonctionnement (mA)
15	120	190
30	120	191
75	200	277
95	220	298
115	290	418

Caractéristiques nominales de courant des stroboscopes à lentille ROUGE		
Utiliser avec le produit SSPKR24C		
Candela	Tension stabilisée maximum de 24 V c.c. Courant de fonctionnement (mA)	Tension stabilisée maximum de 24 V RDA Courant de fonctionnement (mA)
15	128	220
30	128	220
75	225	306
95	235	402
115	341	444

Prise de puissance sélectionnable sur place – réverbérant (dBA @ 10 pi)						
Tension	1/8 watt	1/4 watt	1/2 watt	1 watt	2 watts	4 watts
25 volts	74,6	77,7	80,5	83,1	85,6	87,9
70,7 volts	73,7	76,7	79,6	82,5	85,4	87,9

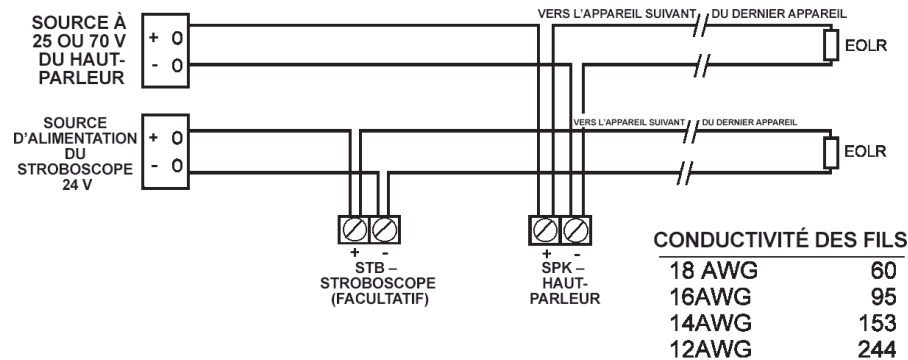
AVIS : LIMITES DES PLAGES DE TENSION C.C. : 16 À 33 V. LIMITES DES PLAGES DE TENSION RDA : 16 À 33 V. CE PRODUIT A UNIQUEMENT FAIT L'OBJET D'ESSAI POUR LES PLAGES DE TENSIONS INDIQUÉES; IL NE FAUT PAS FAIRE FONCTIONNER LE PRODUIT AVEC DES VALEURS CORRESPONDANT À 80 % ET 110 % DE CES PLAGES.

CONSIDÉRATIONS RELATIVES AU SYSTÈME

1. Pour sélectionner la puissance d'entrée appropriée au haut-parleur, déplacer le cavalier vers la broche appropriée.
2. Avec les appareils en association, conserver toujours l'isolation électrique entre les circuits du haut-parleur et du stroboscope.
3. Ne pas dépasser 130 % de la tension nominale du haut-parleur. En cas de distorsion excessive, vérifier l'écrêtage du signal au niveau de l'amplificateur. S'il existe de l'écrêtage, réduire le gain ou l'entrée de l'amplificateur.
4. Quatre vis sont fournies : deux pour fixer le haut-parleur au boîtier arrière et deux autres pour l'esthétique. Les deux vis non fonctionnelles seront maintenues en place par la pression exercée sur la plaque avant.

AVERTISSEMENT : LORS DE L'INSTALLATION, FAIRE PASSER LES FILS À L'ÉCART DES SAILLIES, DES COINS ET DES COMPOSANTS INTERNES ACÉRÉS.

AVIS : NE PAS BOUCLER LES FILS SOUS LES BORNES. SÉPARER LES SEGMENTS DE CÂBLES POUR ASSURER LA SUPERVISION DE LA CONNEXION.



*LONGUEUR MAXIMUM DE FIL (EN pieds) = $\frac{\text{TENSION AU PANNEAU} - \text{TENSION MINIMUM DE L'APPAREIL}}{\text{APPEL DE COURANT TOTAL}}$ CONDUCTIVITÉ DE « X » FILS (STROBOSCOPE UNIQUEMENT)

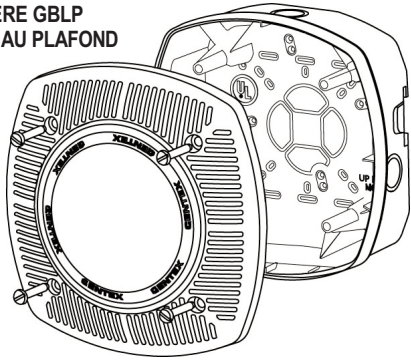
* COMPREND LE FIL À DESTINATION ET AU RETOUR DE L'APPAREIL.
ON SUPPOSE QUE TOUS LES APPAREILS SONT SITUÉS À L'EXTRÉMITÉ DU SEGMENT DE FIL (PIRE DES SITUATIONS).
AVERTISSEMENT : S'APPLIQUE UNIQUEMENT AUX INSTALLATIONS RÉGLEMENTÉES.

AVIS : TOUS LES STROBOSCOPES SONT CONÇUS POUR CLIGNOTER COMME INDIQUÉ EN FONCTION DE LA TENSION CONTINUE QUI LEUR EST FOURNIE. CET APPAREIL N'EST PAS RECOMMANDÉ POUR LES CIRCUITS DE SIGNALISATION CODIFIÉS OU À IMPULSIONS. IL EST TOUTEFOIS PERMIS D'UTILISER LE MODULE DE COMMANDE AVSM POUR SYNCHRONISER LE STROBOSCOPE.

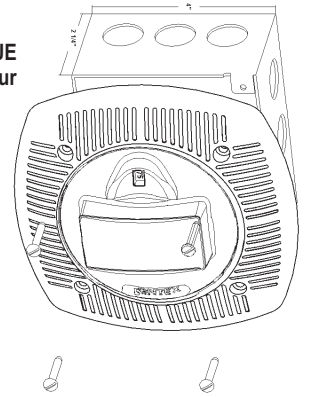
CONSULTER LE MANUEL DU MODULE DE COMMANDE AVSM (550-0284, DATÉ DU 1ER FÉVRIER 2003) POUR LES SCHÉMAS DE CÂBLAGE DU MODULE DE SYNCHRONISATION. IL EST POSSIBLE DE SE PROCURER LE MANUEL AVSM EN ÉCRIVANT À L'ADRESSE [HTTP://WWW.GENTEX.COM](http://www.gentex.com) OU EN APPELANT GENTEX CORPORATION AU 1 800 436-8391.

V. INSTALLATION DE LA BOÎTE ET POSE DES FILS

INSTALLATION DU HAUT-PARLEUR
SUR LE BOÎTIER ARRIÈRE GBLP
INSTALLATION AU MUR OU AU PLAFOND



INSTALLATION DU
HAUT-PARLEUR STROBOSCOPE
SUR UN BOÎTIER ARRIÈRE MÉTALLIQUE
CARRÉ DE 4 po x 2 1/2 po de profondeur
INSTALLATION AU PLAFOND

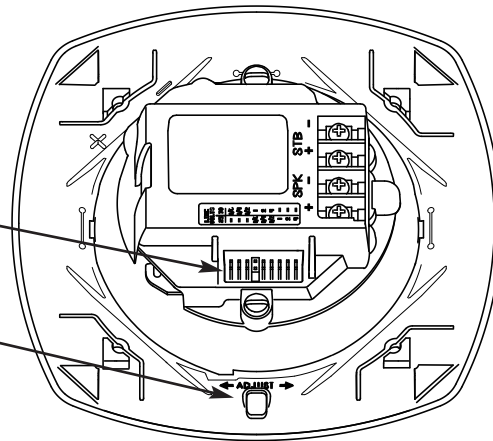


SÉLECTEUR DE L'INTENSITÉ LUMINEUSE

Régler les prises de puissance au moyen de pinces à becs pointus.

Régler l'intensité en insérant un tournevis à lame plate pour tourner le cadran. Le numéro affiché correspond à l'intensité sélectionnée (en candela).

AVIS : LES INTENSITÉS POUVANT ÊTRE SÉLECTIONNÉES SONT DE 15, 30, 60, 75 ET 115 CANDELAS.



VI. VÉRIFICATION ET DÉPANNAGE

1. Alimenter le panneau de commande du système. Les appareils de signalisation auxiliaires du système ne devraient pas être activés.
2. Cependant, s'ils le sont :
 - a. Vérifier tous les détecteurs de fumée et d'incendie du système pour s'assurer qu'ils n'ont pas été activés.
 - b. Vérifier tous les branchements pour s'assurer que les circuits de détection ne sont pas inversés ou court-circuités. Vérifier les codes de couleur des fils et en faire le suivi.
3. Pour vérifier la série SSPKCLP et les autres appareils de signalisation, déclencher le panneau auxiliaire ou activer le circuit d'alarme du panneau de commande principal; vous pouvez aussi déclencher l'un des appareils de détection d'incendie du système. Tous les appareils de signalisation auxiliaires devraient être activés.
4. Un essai opérationnel de ce produit doit être effectué conformément aux exigences des normes nationales ou à tout le moins une fois par année ou selon une fréquence supérieure en fonction des exigences des autorités compétentes ou des codes provinciaux ou locaux.

LIMITES DE L'APPAREIL DE SIGNALISATION :

Le haut-parleur est conforme ou surpasse les exigences d'audibilité actuelles des normes UL. Quoiqu'il en soit, si l'appareil est situé en dehors de la chambre à coucher, il se pourrait qu'il ne réveille pas une personne endormie, particulièrement si la porte de la chambre est fermée ou partiellement ouverte.



AVERTISSEMENT
CET APPAREIL NE FONCTIONNE PAS SANS ALIMENTATION ÉLECTRIQUE. COMME LES INCENDIES ENTRAÎNENT SOUVENT DES PANNES DE COURANT, GENTEX RECOMMANDE DE DISCUTER DE MESURES DE PROTECTION SUPPLÉMENTAIRES AVEC LE SPÉCIALISTE LOCAL EN PROTECTION INCENDIE.

VI. POUR RETOURNER UN APPAREIL

En cas de problème avec votre appareil, procéder comme suit :

1. Couper l'alimentation électrique du circuit d'alarme auxiliaire.
2. Enlever la vis de montage, puis faire glisser l'appareil de signalisation pour le retirer du support.
3. Remplacer l'appareil enlevé pour rétablir la fonction de supervision du câblage et supprimer le signal de dérangement.
4. Emballer avec soin l'appareil défectueux (le fabricant n'est pas tenu responsable des dommages indirects attribuables à l'expédition ou aux erreurs de manutention). Indiquer votre adresse et décrire en détail la nature la nature du problème et la date d'installation.
5. Retourner à : Gentex Corporation, 10985 Chicago Dr., Zeeland MI 49464. Avant de retourner l'appareil, appeler le service d'assistance sur le terrain Gentex au 1 800 436-8391 ou envoyer un courriel à l'adresse FP_RMA@gentex.com pour obtenir un numéro d'autorisation de retour (RMA).

DIRECTIVES SUPPLÉMENTAIRES POUR LE HAUT-PARLEUR À MONTAGE UNIVERSEL ET POUR LE HAUT-PARLEUR STROBOSCOPE INSTALLÉ AU PLAFOND : CAN/ULC

RENSEIGNEMENTS SUR LE PRODUIT

Cet appareil convient parfaitement à tout type d'occupation devant être doté d'un appareil de signalisation conformément au code du bâtiment ou de sécurité incendie ou à tout bâtiment exigeant un moyen d'alarme fiable. Cet appareil est homologué conformément aux normes CAN/ULC S526 ou CAN/ULC S541. Il offre un choix de prises de puissance sélectionnables sur place de 1/8, 1/4, 1/2, 1, 2 et 4 watts pouvant être utilisées avec des amplificateurs audio de 25 V RMS ou 70,7 V RMS. La plage de fréquences du haut-parleur varie de 400 à 4000 Hz. Tous les dispositifs sont compatibles avec la surveillance de ligne. Le haut-parleur comprend un condensateur de blocage c.c. qui permet la supervision de tension sans égard à la polarité. Tout le câblage doit être conforme au Code canadien de l'électricité C22.1, Partie 1, Safety Standard for Electrical Installations, Sec. 32. Cet appareil est destiné à l'utilisation dans des systèmes d'alarme incendie et doit être installé conformément aux directives du présent manuel, du Code du bâtiment canadien, de la norme CAN/ULC S524 et des codes locaux établissant les normes pour les appareils de signalisation des systèmes de signaux de protection. Gentex recommande de disposer les appareils de signalisation conformément aux exigences de dégagement de la norme CAN/ULC S524.

Sélection de la prise de puissance – chambre anéchoïque (dBA à 3 mètres)
Niveau de pression acoustique (OSPL)

Tension	1/8 watt	1/4 watt	1/2 watt	1 watt	2 watts	4 watts
25 volts	79,4	82,4	85,2	87,9	90,7	93,9
70 volts	78,8	81,9	84,6	87,6	90,5	93,4

Caractéristiques sonores directionnelles :
Haut-parleur et haut-parleur stroboscope
installés au plafond

	Angle horizontal
-3 dBA	60
-6 dBA	20
	Angle vertical
-3 dBA	55
-6 dBA	10

GARANTIE LIMITÉE

Gentex garantit à l'acheteur initial que, dans des conditions normales d'utilisation et d'entretien, l'appareil sera exempt de tout défaut de fabrication ou de matériaux pendant 36 mois à compter de la date d'achat ou pendant un maximum de 42 mois à compter de la date de fabrication (ou pendant aussi longtemps que l'exigent les lois applicables).

Cette garantie est nulle et sans effet lorsque les dommages ou la défectuosité sont attribuables : à un accident, un usage abusif, un abus, une utilisation anormale, une installation fautive, un contact avec un liquide, un incendie, un séisme ou toute autre cause externe; à l'utilisation de l'appareil en dehors des directives établies par Gentex; à l'entretien, la modification, la maintenance ou la réparation effectuée par toute autre entreprise que Gentex. Cette garantie ne s'applique pas non plus : aux pièces consommables, comme les piles; aux dommages cosmétiques, y compris, mais sans en exclure d'autres, aux égratignures ou bosses; aux défaillances attribuables à l'usure normale ou au vieillissement normal de l'appareil; si le numéro de série de l'appareil a été supprimé ou altéré.

DANS LES LIMITES AUTORISÉES PAR LA LOI, LA PRÉSENTE GARANTIE ET LES RECOURS QUI Y SONT DÉFINIS SONT EXCLUSIFS ET REMPLACENT TOUTE AUTRE GARANTIE, RECOURS ET CONDITION, QU'ELLES SOIENT ORALES, ÉCRITES, LÉGALES, EXPRESSSES OU IMPLICITES. GENTEX DÉCLINE TOUTE GARANTIE LÉGALE ET IMPLICITE, Y COMPRIS, MAIS SANS EN INCLURE D'AUTRE, TOUTE GARANTIE DE MARCHANDIBILITÉ OU D'ADAPTATION À UN USAGE PARTICULIER AINSI QUE LES GARANTIES CONTRE LES VICÉS CACHÉS OU LES DÉFAUTS LATENTS, DANS LES LIMITES AUTORISÉES PAR LA LOI. DANS LA MESURE OÙ DE TELLES GARANTIES NE PEUVENT ÊTRE DÉCLINÉES, TOUTE GARANTIE IMPLICITE S'APPLIQUE UNIQUEMENT À LA PÉRIODE DE GARANTIE INDIQUÉE PLUS HAUT. À NOTER QUE CERTAINS ÉTATS (PAYS ET PROVINCES) N'ACCEPTENT PAS LES LIMITATIONS QUANT À LA DURÉE DES GARANTIES (OU DES CONDITIONS) IMPLICITES. IL SE PEUT DONC QUE LES LIMITATIONS CI-DESSUS NE S'APPLIQUENT PAS DANS VOTRE CAS.

DANS LA MESURE OÙ CELA N'EST PAS EXCLU DANS LA PRÉSENTE GARANTIE ET DANS LES LIMITES AUTORISÉES PAR LA LOI, GENTEX NE POURRA ÊTRE TENU RESPONSABLE DES DOMMAGES DIRECTS, SPÉCIAUX, INDIRECTS OU CONSÉCUTIFS DÉCOULANT DE TOUTE CONDITION OU BRIS DE LA GARANTIE OU PORTANT SUR LA VENTE, L'UTILISATION OU LA RÉPARATION DE L'APPAREIL, OU DE TOUTE AUTRE THÉORIE LÉGALE, Y COMPRIS, MAIS SANS EN EXCLURE D'AUTRES, DE LA PERTE D'USAGE, DE REVENUS OU DE PROFITS RÉELS OU ANTICIPÉS, DE LA PERTE D'UTILISATION DES FONDS, D'AFFAIRES OU D'OCCASIONS, DE LA PERTE DE CLIENTÈLE OU DE L'ATTEINTE À LA RÉPUTATION. LA RESPONSABILITÉ MAXIMALE DE GENTEX NE PEUT EN AUCUN CAS ÊTRE SUPÉRIEURE AU PRIX D'ACHAT DE L'APPAREIL. VEUILLEZ NOTER QUE CERTAINS ÉTATS (PAYS ET PROVINCES) N'AUTORISENT PAS L'EXCLUSION OU LA LIMITATION DES DOMMAGES ACCIDENTELS OU CONSÉCUTIFS, DE SORTE QUE LES LIMITATIONS OU EXCLUSIONS CI-DESSUS POURRAIENT NE PAS S'APPLIQUER DANS VOTRE CAS.

Si un défaut de fabrication ou de matériau entraîne la défaillance de votre appareil pendant la période de garantie, vous devez le retourner à Gentex, port payé, à l'adresse suivante : Gentex Corporation, 10985 Chicago Dr., Zeeland MI 49464. Vous devez apporter la preuve de la date d'achat de l'appareil, à la satisfaction de Gentex. Vous devez aussi fournir votre adresse pour le retour de l'appareil. Le service sous garantie peut être uniquement exécuté par le personnel de Gentex, dans les installations de Gentex de Zeeland au Michigan. Il faut aussi emballer soigneusement l'appareil pour réduire au minimum les risques de dommage pendant le transport. Si nous recevons un appareil endommagé en cours de transport, nous vous en aviserons et il vous reviendra d'obtenir dédommagement de la part du transporteur.

Si vous transmettez une demande valable à Gentex pendant la période de garantie, Gentex assumera, sans frais et à sa discrétion, la réparation de votre appareil ou vous fournira un appareil neuf ou remis à neuf; vous n'aurez qu'à assumer les frais d'acheminement de l'appareil par la poste. Gentex ne s'engage pas à rembourser les frais des pièces de rechange ou des réparations effectuées par d'autres parties. L'appareil réparé ou de remplacement vous sera retourné sans frais et il sera couvert en vertu de la garantie pendant la période de garantie résiduelle, le cas échéant. Lors du remplacement d'un produit ou d'une pièce, l'élément de remplacement devient votre propriété tandis que l'élément remplacé devient la propriété de Gentex. Pour de plus amples renseignements sur la garantie ou le produit, visitez www.gentex.com.

LA PRÉSENTE GARANTIE VOUS ACCORDE DES DROITS PARTICULIERS, MAIS IL SE POURRAIT QUE VOUS AYEZ AUSSI D'AUTRES DROITS, QUI VARIENT D'UN ÉTAT (PAYS OU PROVINCE) À L'AUTRE. DANS LA PRÉSENTE GARANTIE, GENTEX NE LIMITE PAS VOS DROITS ET N'EN EXCLUT AUCUN, DU MOINS DANS LES LIMITES AUTORISÉES PAR LA LOI. POUR BIEN COMPRENDRE VOS DROITS, VOUS DEVRIEZ CONSULTER LA LÉGISLATION DE VOTRE PAYS, PROVINCE OU ÉTAT.

Avis important :

Ces renseignements ont été préparés par Gentex Corporation (ci-après « Gentex » à titre informatif uniquement; ils sont de nature sommaire et ne constituent nullement des avis juridiques et ne doivent par conséquent pas être utilisés à une telle fin. À cet égard, Gentex ne fait aucune représentation ni garantie, explicite ou implicite, que ces renseignements sont exhaustifs et exacts, à jour ou conformes aux lois, règlements ou règles locales, provinciales ou fédérales. Ces renseignements ne tiennent pas compte de toutes les considérations juridiques, en raison des inévitables incertitudes quant à l'interprétation des lois et règlements et à la mise en application de ces lois et règlements en fonction des situations particulières. Les activités de chaque personne peuvent modifier les obligations pertinentes en vertu des lois ou des règlements en vigueur. Par conséquent, ces renseignements ne doivent être utilisés qu'à des fins informationnelles et ne doivent pas servir à remplacer un avis juridique professionnel. Gentex n'assumera aucune responsabilité quant aux mesures ou activités qui pourraient être, ou ne pas être, prises ou effectuées à la suite de ces renseignements.