

LOW FREQUENCY VISIBLE AND/OR AUDIBLE SIGNALING APPLIANCE

ADDITIONAL CAN/ULC LISTED PRODUCT INFORMATION IS FOUND ON PAGE 4

I. INTRODUCTION

The Gentex models GHLF and GHSLF are high quality low frequency audible and/or visible signaling appliances. This appliance is intended to provide a low frequency audible or audible/visible, depending on the model, notification signal for the purpose of life safety and property protection. The GHSLF is a fixed candela unit; the candela intensities which can be ordered are 15 Cd, 110Cd and 177Cd. The GHSLF strobe is listed in compliance with ANSI/UL 1971, Signaling Appliances for the Hearing Impaired.

This appliance is ideal for any occupancy that requires notification appliances per the applicable building or fire code or wherever dependable alarms are required. As of January 1, 2014 NFPA 72 requires that audible appliances installed in sleeping areas produce a low frequency alarm signal. For your information, the National Fire Protection Association's (NFPA) Standard 72, 2013 Edition, Chapter 18, Section 18.4.5 Sleeping Area Requirements, states the following:

18.4.5.3 Effective January 1, 2014, audible appliances provided for the sleeping areas to awaken occupants shall produce a low frequency alarm signal that complies with the following:

- 1) The alarm signal shall be a square wave or provide equivalent awakening ability
- 2) The wave shall have a fundamental frequency of 520Hz ± 10 percent

II. LOCATION

This appliance is intended for use in fire alarm systems and is to be installed in accordance with this manual, the recommendation of the local authorities having jurisdiction, and other NFPA documents that provide standards on notification appliances for protective signaling systems. The GHLF and GHSLF are intended for indoor installations only; these appliances are **not** listed for **outdoor** or drip proof applications.

Wall mounted strobe appliances shall have their entire lens at heights above the finished floor of not less than 80 in. (2m) and not greater than 96 in. (2.4m)**. Spacing shall be in accordance with Table A. If a room configuration is not square, the room size that will entirely encompass the room or subdivide the room into multiple squares shall be used. Wall mounted horn only appliances shall have their tops above the finished floors at heights of not less than 90 in. (2.30m) and below the finished ceilings at heights of not less than 6 in. (152mm). Different mounting heights shall be permitted by the AHJ provided the sound pressure level requirements of NFPA 72 are met.

III. MOUNTING, ROUGH-IN BOX AND RUN WIRING

This unit is designed for mounting to most single gang boxes, 4" square outlet boxes, 2-gang masonry boxes or non-metallic 2-gang switch boxes. Conduit entrance to boxes should be selected to insure sufficient wiring clearance.

1. Run a minimum 18 gauge insulated 2 or more conductor cable.
2. Mount a box for each remote signaling appliance. Screw bracket onto box. Insert signal into bracket and slide to the right firmly into the terminal block receptacle. Insert mounting screw as shown and tighten. Cover assembly with the plastic housing.

NOTICE: WIRING SHOULD BE CONNECTED TO MOUNTING BRACKET PRIOR TO MOUNTING SIGNAL. INCOMING POSITIVE POWER LEAD MUST BE BROKEN AND EACH LEAD IS TO BE INSERTED INTO EACH OF THE TOP TWO TERMINALS. A BARRIER IS PROVIDED TO PREVENT BOTH LEADS FROM BEING PLACED UNDER THE SAME TERMINAL.

IV. AUDIBLE SIGNALING APPLIANCE OUTPUT

- ♦ The three pulse temporal pattern (temporal 3) is to be used for evacuation use only.
 - ♦ The standard fire alarm evacuation signal is a three-pulse temporal pattern. The pattern consists of the following in this order:
 - (1) An "on" phase lasting 0.5 second ± 10 percent
 - (2) An "off" phase lasting 0.5 second ± 10 percent for three successive "on" periods
 - (3) An "off" phase lasting 1.5 seconds ± 10 percent
 Total cycle lasts for 4 seconds ± 10 percent
 - ♦ The sound output for the temporal 3 tone is rated lower since the time the horn is off is averaged into the sound output rating. Units have been tested to 0°C, 49°C and 93% humidity.
- ♦ The four pulse temporal pattern (temporal 4) is to be used for carbon monoxide alarm signal use only.
 - ♦ The standard carbon monoxide alarm is a four pulse temporal pattern. The audible carbon monoxide alarm signal shall comply with the following:
 - (1) Signals shall be a single tone pattern consisting of four cycles of 100 milliseconds ± 10 percent "on" and 100 milliseconds of ± 10 percent "off," followed by 5 seconds ± 10 percent "off."
 - (2) After the initial 4 minutes of alarm, the 5-second "off" time shall be permitted to be changed to 60 seconds ± 10 percent.
- ♦ The four pulse temporal pattern (Temporal 4) can only be obtained on this product when used in conjunction with the Gentex GTSM synchronization module or GTSM synchronization protocol.

GHLF PRODUCT INFORMATION

GHLF Horn Decibel Levels and Current Ratings

| Horn Mode | Horn Decibel Levels: Reverberant Room | | 24VDC Nominal Horn Current Ratings (mA) | | | | Horn Current Ratings (UL Max) ² Over Input Voltage Range of 16-33V (mA) | | | |
|--------------------------------|--|--|--|---|--|--|---|---|--|--|
| | Minimum SPL at 10Ft. Per ANSI/UL 464 (NORMAL) | Minimum SPL at 10Ft. Per ANSI/UL 464 (LOUD) | 24VDC Operating Current (NORMAL) | 24VDC Operating Current (LOUD) | 24VFWR Operating Current (NORMAL) | 24VFWR Operating Current (LOUD) | Regulated 24VDC Max. Operating Current (NORMAL) | Regulated 24VDC Max. Operating Current (LOUD) | Regulated 24VFWR Max. Operating Current (NORMAL) | Regulated 24VFWR Max. Operating Current (LOUD) |
| Temporal 3 520 Hz | 77.8 dBA | 79.8 dBA | 72.1 mA | 120.1 mA | 104.6 mA | 158.4 mA | 99.4 mA | 155.8 mA | 152.1 mA | 213.5 mA |
| Temporal 4 520 Hz ¹ | 81.5 dBA | 83.4 dBA | 75.9 mA | 116.0 mA | 108.1 mA | 182.0 mA | 100.1 mA | 157.2 mA | 163.1 mA | 235.2 mA |

¹ Temporal 4 520 Hz measured per ANSI/UL 2075

² Recommended

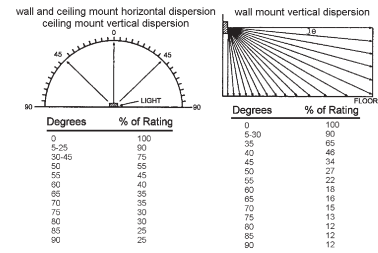
GHSLF PRODUCT INFORMATION

Table A Room Spacing for Wall-Mounted Visible Appliances per NFPA 72, 2016 Edition

| Maximum Room Size | | Minimum Required Light Output (Effective Intensity, Cd) | |
|-------------------|-----------|--|---|
| Meters | Feet | One Light per Room | Four Lights per Room (One Light per Wall) |
| 6.10 x 6.10 | 20 x 20 | 15 | NA |
| 8.53 x 8.53 | 28 x 28 | 30 | NA |
| 9.14 x 9.14 | 30 x 30 | 34 | NA |
| 12.2 x 12.2 | 40 x 40 | 60 | 15 |
| 13.7 x 13.7 | 45 x 45 | 75 | 19 |
| 15.2 x 15.2 | 50 x 50 | 94 | 30 |
| 16.5 x 16.5 | 54 x 54 | 110 | 30 |
| 16.8 x 16.8 | 55 x 55 | 115 | 30 |
| 18.3 x 18.3 | 60 x 60 | 135 | 30 |
| 19.2 x 19.2 | 63 x 63 | 150 | 37 |
| 20.7 x 20.7 | 68 x 68 | 177 | 43 |
| 21.3 x 21.3 | 70 x 70 | 184 | 60 |
| 24.4 x 24.4 | 80 x 80 | 240 | 60 |
| 27.4 x 27.4 | 90 x 90 | 304 | 95 |
| 30.5 x 30.5 | 100 x 100 | 375 | 95 |
| 33.5 x 33.5 | 110 x 110 | 455 | 135 |
| 36.6 x 36.6 | 120 x 120 | 540 | 135 |
| 39.6 x 39.6 | 130 x 130 | 635 | 185 |

NA = Not allowable

LIGHT OUTPUT IN PERCENTAGE DIRECTIONS WHEN MEASURED FROM THE FOLLOWING DIRECTIONS - PER UL1971



**Effective Intensity Requirements for Sleeping Areas

| Visible Notification Appliance | |
|--------------------------------------|-----------|
| Distance from Ceiling to Top of Lens | Intensity |
| greater than or equal to 24" | 110cd |
| less than 24" | 177cd |

CAUTION: Strobe light must be installed within 16 feet of the pillow when used in a sleeping area.

GHSLF Horn Decibel Levels and Horn/Strobe Current Ratings

| Horn Mode | Horn Decibel Levels: Reverberant Room | |
|--------------------------------|---|---|
| | Minimum SPL at 10Ft. Per ANSI/UL 464 (NORMAL) | Minimum SPL at 10Ft. Per ANSI/UL 464 (LOUD) |
| Temporal 3 520 Hz | 76.3 dBA | 78.8 dBA |
| Temporal 4 520 Hz ¹ | 80.6 dBA | 82.0 dBA |

¹ Temporal 4 520 Hz measured per ANSI/UL 2075
² Recommended

| Candela | Horn Mode | 24VDC Nominal Horn/Strobe Current Ratings (mA) | | | | Horn/Strobe Current Ratings (UL Max) ² Over Input Voltage Range of 16-33V (mA) | | | |
|---------|-------------------|--|--------------------------------|-----------------------------------|---------------------------------|---|---|--|--|
| | | 24VDC Operating Current (NORMAL) | 24VDC Operating Current (LOUD) | 24VFWR Operating Current (NORMAL) | 24VFWR Operating Current (LOUD) | Regulated 24VDC Max. Operating Current (NORMAL) | Regulated 24VDC Max. Operating Current (LOUD) | Regulated 24VFWR Max. Operating Current (NORMAL) | Regulated 24VFWR Max. Operating Current (LOUD) |
| 15 | Temporal 3 520 Hz | 112.0 mA | 144.0 mA | 163.0 mA | 198.0 mA | 124.0 mA | 182.0 mA | 201.0 mA | 252.0 mA |
| | Temporal 4 520 Hz | 158.0 mA | 175.0 mA | 210.0 mA | 269.0 mA | 195.0 mA | 291.0 mA | 273.0 mA | 339.0 mA |
| 110 | Temporal 3 520 Hz | 193.0 mA | 223.0 mA | 259.0 mA | 295.0 mA | 280.0 mA | 326.0 mA | 348.0 mA | 427.0 mA |
| | Temporal 4 520 Hz | 241.0 mA | 291.0 mA | 325.0 mA | 383.0 mA | 384.0 mA | 474.0 mA | 470.0 mA | 555.0 mA |
| 177 | Temporal 3 520 Hz | 268.0 mA | 293.0 mA | 325.0 mA | 329.0 mA | 365.0 mA | 393.0 mA | 465.0 mA | 478.0 mA |
| | Temporal 4 520 Hz | 337.0 mA | 391.0 mA | 428.0 mA | 477.0 mA | 427.0 mA | 525.0 mA | 639.0 mA | 759.0 mA |

N/A =24 VDC nominal operating current data not available

V. WIRING

Wiring for synchronized strobes and horns.

Using this method you may:

- Use the Gentex GTSM synchronization protocol to provide synchronization of temporal 3 and temporal 4 tones and mute the horn, if required.

NOTICE:

- THIS APPLIANCE IS NOT RECOMMENDED FOR USE ON CODED OR PULSING SIGNALING CIRCUITS. HOWEVER, USE OF THE GTSM CONTROL MODULE IS PERMITTED TO SYNCHRONIZE THE HORN.
- THE FOUR PULSE TEMPORAL PATTERN (TEMPORAL 4) CAN ONLY BE OBTAINED ON THIS PRODUCT WHEN USED IN CONJUNCTION WITH THE GENTEX GTSM SYNCHRONIZATION MODULE OR GTSM SYNCHRONIZATION PROTOCOL.
- SEE GTSM CONTROL MODULE MANUAL (550-0632, MANUAL ISSUE DATE (02-01-15) FOR SYNCHRONIZATION MODULE WIRING DIAGRAMS. GTSM MANUAL CAN BE OBTAINED AT [HTTP://WWW.GENTEX.COM/FIRE/PRODUCTS](http://www.gentex.com/fire/products) OR CALL GENTEX CORPORATION AT 1-800-436-8391.

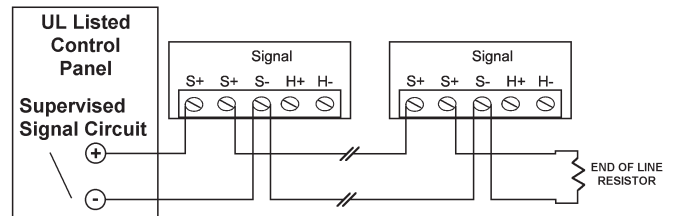
Conventional Method:

You may connect the horn directly from a source of rated power without the use of a control module. However, the horns will NOT be synchronized.

$$\text{MAX. WIRE DISTANCE (IN FEET)} = \frac{(\text{PANEL VOLTAGE} - \text{APPLIANCE MIN. VOLT}) \times \text{WIRE CONDUCTIVITY}}{\text{TOTAL CURRENT DRAW}}$$

| WIRE | CONDUCTIVITY |
|-------|--------------|
| 18AWG | 60 |
| 16AWG | 95 |
| 14AWG | 153 |
| 12AWG | 244 |

Includes wire to and from appliance. **CAUTION:** Applies only to regulated supplies. Assumes all appliances are at the end of wire run (worst case).



CAUTION: For the GHLF and GHSLF, only the S+ and S- terminals are to be used for connection to FACP. The H+ and H- terminals are to be used for dBA selection using provided jumper. **DO NOT APPLY VOLTAGE TO H+ AND H- TERMINALS.**

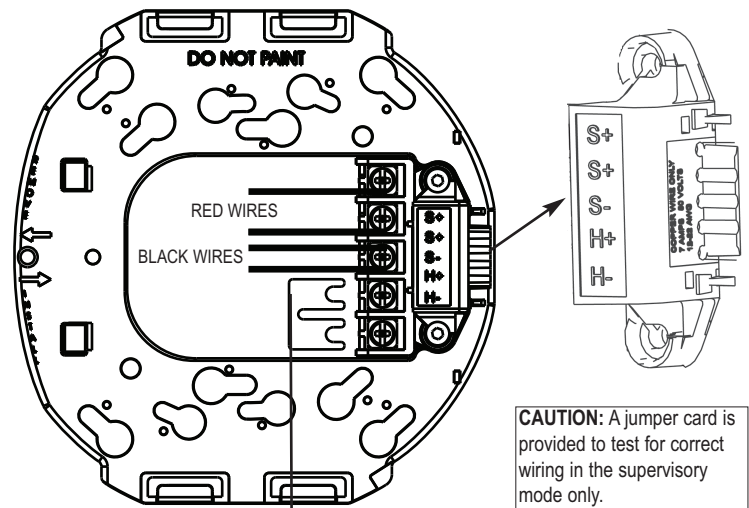
Gentex Super-Slide® Mounting Bracket:

Allows the installer to pre-wire the system, test for system supervision, remove the signal head until occupancy, switch out Gentex signals without changing mounting brackets and has locking edge connector for snap-in-place installation.

Gentex Checkmate® Instant Voltage Verification:

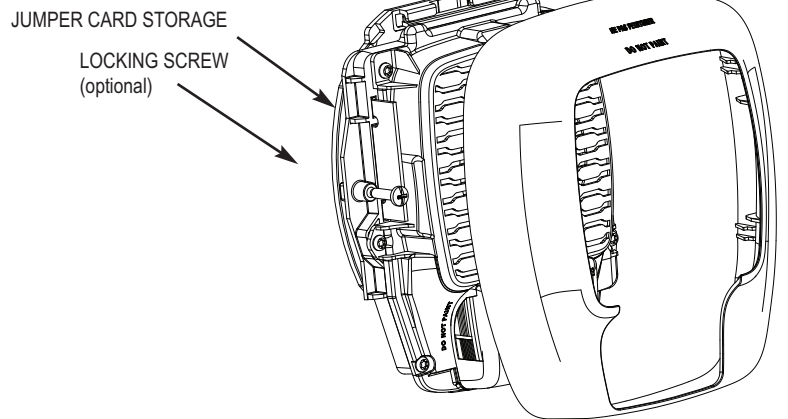
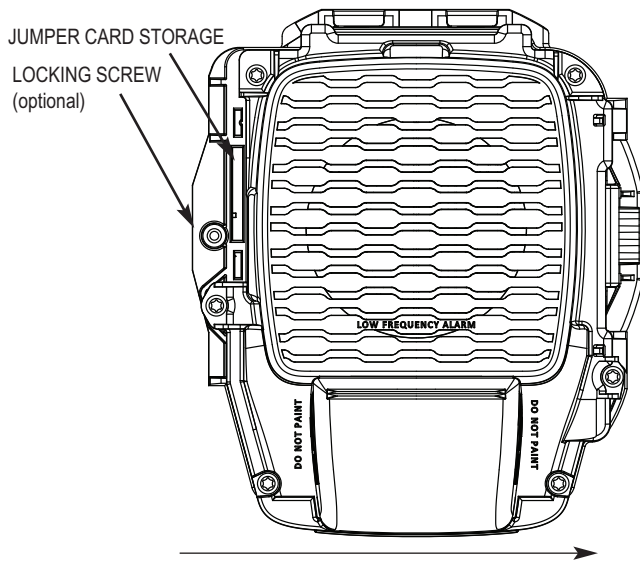
It is often necessary to confirm the voltage drop along a line of devices. The access holes are provided in the back of the terminal block to allow the voltage to be measured directly without removing the device. Typically this would be done at the end of the line to confirm design criteria. Most measurements will be taken using the S+ and S- locations although access is provided to other locations.

NOTICE: CARE SHOULD BE TAKEN TO NOT SHORT THE TEST PROBES.



NOTICE: PROPER INSTALLATION OF BRACKET IS AS SHOWN IN ABOVE DIAGRAM. WIRE TERMINAL BLOCK FEATURED ON RIGHT.

NOTICE: OPTIONAL LOUD DECIBEL INSTALL JUMPER.



TO REMOVE BEZEL, SQUEEZE TOP AND BOTTOM OF BEZEL UNTIL BEZEL RELEASES FROM BRACKET.

WARNING

THIS APPLIANCE WILL NOT OPERATE WITHOUT ELECTRICAL POWER. AS FIRES FREQUENTLY CAUSE POWER INTERRUPTIONS, GENTEX SUGGESTS YOU DISCUSS FURTHER SAFEGUARDS WITH YOUR LOCAL FIRE PROTECTION SPECIALIST.

VI. CHECKOUT AND TROUBLESHOOTING

1. Supply power to the system control panel. The auxiliary signaling appliances in the system should not be activated.
2. If the signal is activated:
 - Check all smoke and fire detectors in the system to make sure they have not been activated.
 - Check all wiring connections to make sure the signal detection circuits are not reversed or shorted together. Check wire color codes and traces.
 - Verify that the jumpers and switches are properly set on both the control module and signal appliance. If the jumper on the GTSM is removed, the horns will not produce any sound unless there is an input to the H+ and H- terminals on the control module.
3. To test the signal appliances, trip the auxiliary panel or activate the alarm circuit at the main control panel or activate one of the fire detection units in the system. All auxiliary signals should be activated.
4. An operational test on this product should be conducted in accordance with National Standards or at a minimum annually and more often if dictated by local and state codes or authorities having jurisdiction.

NOTICE: THESE TESTING PROCEDURES AND TROUBLESHOOTING INSTRUCTIONS ARE GENERALIZED. PLEASE REFER TO THE SYSTEM CONTROL PANEL OPERATING INSTRUCTIONS FOR PROPER OPERATION OF THE PANEL AND FIRE DETECTION SYSTEM.

SIGNALING APPLIANCE LIMITATION:

Your horn meets or exceeds the current audibility requirements of ANSI/UL 464. However, if the appliance is located outside a bedroom it may not wake up a sound sleeper, especially if the room door is closed or only partially open.

VII. TO RETURN AN APPLIANCE

Should you experience problems with your appliance, proceed as follows:

1. Turn off electrical power to the auxiliary alarm circuit.
2. Remove the bezel, then mounting screw and slide signal off from bracket
3. Replace unit that was removed to restore wiring supervision and to eliminate system trouble alert.
4. Carefully pack the defective unit (the manufacturer cannot be responsible for consequential damage due to shipping or mis-handling). Include a return address and complete details as to the nature of the difficulties being experienced and date of installation.
5. Return to: Gentex Corporation, 10985 Chicago Dr., Zeeland MI 49464. Prior to returning, call Gentex at 1-800-436-8391 or e-mail FP_RMA@gentex.com to obtain a RMA Number from our Customer Service Department.

ADDITIONAL INSTRUCTIONS FOR AUDIBLE SIGNALING APPLIANCES: CAN/ULC

PRODUCT INFORMATION

This appliance is intended to provide an audible or audible/visible, depending on the model, notification signal for the purpose of life safety and property protection. This appliance is ideal for any occupancy that requires notification appliances per the applicable building or fire code or wherever dependable alarms are required. This appliance is listed in compliance with CAN/ULC S525 and or CAN/ULS S526. This appliance is intended for use in fire alarm systems and is to be installed in accordance with this manual, the National Building Code of Canada, CAN/ULC S524 and local codes that provide standards on notification appliances for protective signaling systems. Gentex recommends spacing notification appliances in compliance with CAN/ULC S524.

This unit is designed for mounting to most single gang boxes, 4" square outlet boxes, 2-gang masonry boxes or non-metallic 2-gang switch boxes. Conduit entrance to boxes should be selected to insure sufficient wiring clearance.

1. Wiring is to be in accordance with CSA C22.1 Canadian Electrical Code, Part 1, Safety Standard for Electrical Installations, Sec. 32
2. Run a minimum 18 gauge insulated 2 or more conductor cable.
3. Mount a box for each remote signaling appliance. Screw bracket onto box. Insert signal into bracket and slide to the right firmly into the terminal block receptacle. Insert mounting screw as shown and tighten. Cover assembly with the plastic housing.

CAN/ULC HORN DECIBEL AND CURRENT RATINGS PRODUCT INFORMATION: HORN & HORN/STROBE

- ♦ OBTAIN THE CAN/ULC HORN DECIBEL AND CURRENT RATINGS FOR THE GHLF AUDIBLE APPLIANCE, SEE INFORMATION FOUND ON PAGE 1.
- ♦ OBTAIN THE CAN/ULC HORN/STROBE DECIBEL AND CURRENT RATINGS FOR THE GHSLF AUDIBLE APPLIANCE, SEE INFORMATION FOUND ON PAGE 2.

| HORN DECIBEL RATINGS IN ULC ANECHOIC ROOM (dBA @ 3 meters) HORN | |
|--|-----------------|
| Horn Mode | Min. SPL Rating |
| Temporal 3 520 Hz (NORMAL) | 84.7 dBA |
| Temporal 3 520 Hz (LOUD) | 88.3 dBA |
| Temporal 4 520 Hz (NORMAL) | 84.7 dBA |
| Temporal 4 520 Hz (LOUD) | 88.3 dBA |

NOTICE:

- ♦ THE NATIONAL BUILDING CODE AND CAN/ULC S525 REQUIRES THAT ALL HORNS USED FOR BUILDING EVACUATION PRODUCE TEMPORAL CODED SIGNALS.
- ♦ UNITS HAVE BEEN TESTED TO 0°C, 49°C AND 93% HUMIDITY.
- ♦ THE FOUR PULSE TEMPORAL PATTERN (TEMPORAL 4) CAN ONLY BE OBTAINED ON THIS PRODUCT WHEN USED IN CONJUNCTION WITH THE GENTEX GTSM SYNCHRONIZATION MODULE OR GTSM SYNCHRONIZATION PROTOCOL.

| Directional Sound Characteristic: Horn and Horn/Strobe | |
|---|------------------|
| | Horizontal Angle |
| -3 dBA | 155 and 55 |
| -6 dBA | ❖ |
| | Vertical Angle |
| -3 dBA | 150 and 55 |
| -6 dBA | 155 |

❖ = NO MEASURED LOSS

| HORN DECIBEL RATINGS IN ULC ANECHOIC ROOM (dBA @ 3 meters) HORN/STROBE | |
|---|-----------------|
| Horn Mode | Min. SPL Rating |
| Temporal 3 520 Hz (NORMAL) | 88.2 dBA |
| Temporal 3 520 Hz (LOUD) | 90.1 dBA |
| Temporal 4 520 Hz (NORMAL) | 87.1 dBA |
| Temporal 4 520 Hz (LOUD) | 88.0 dBA |

* Temporal 4 520 Hz measured per ANSI/UL 2075

LIMITED WARRANTY

For a period of 36 months from the date of purchase or a maximum of 42 months from the date of manufacture (or as long as required by applicable law), Gentex warrants to you the original purchaser that the appliance described in this product information booklet will be free from defects in workmanship and materials under normal use and service.

This warranty does not apply and is void if damage or failure is caused by: accident, abuse, misuse, abnormal use, faulty installation, liquid contact, fire, earthquake or other external cause; operating the appliance outside Gentex's published guidelines; or service, alteration, maintenance or repairs performed by anyone other than Gentex. This warranty does not transfer to subsequent owners or purchasers of this appliance. This warranty also does not apply to: consumable parts, such as batteries; cosmetic damage, including but not limited to scratches or dents; defects caused by normal wear and tear or otherwise due to the normal aging of the appliance, or if any serial number has been removed or defaced from the appliance.

TO THE EXTENT PERMITTED BY LAW, THIS WARRANTY AND THE REMEDIES SET FORTH HEREIN ARE EXCLUSIVE AND IN LIEU OF ALL OTHER WARRANTIES, REMEDIES AND CONDITIONS, WHETHER ORAL, WRITTEN, STATUTORY, EXPRESS OR IMPLIED. GENTEX DISCLAIMS ALL STATUTORY AND IMPLIED WARRANTIES, INCLUDING WITHOUT LIMITATION, WARRANTIES OF MERCHANTABILITY AND FITNESS FOR A PARTICULAR PURPOSE AND WARRANTIES AGAINST HIDDEN OR LATENT DEFECTS TO THE EXTENT PERMITTED BY LAW. TO THE EXTENT SUCH WARRANTIES CANNOT BE DISCLAIMED, AND TO THE EXTENT PERMITTED BY APPLICABLE LAW, SUCH IMPLIED WARRANTIES SHALL APPLY ONLY FOR THE WARRANTY PERIOD SPECIFIED ABOVE. PLEASE NOTE THAT SOME STATES (COUNTRIES AND PROVINCES/TERRITORIES) DO NOT ALLOW LIMITATIONS ON HOW LONG AN IMPLIED WARRANTY (OR CONDITION) LASTS. SO THE ABOVE LIMITATION MAY NOT APPLY TO YOU. EXCEPT AS PROVIDED IN THIS WARRANTY AND TO THE EXTENT PERMITTED BY LAW, GENTEX WILL NOT BE LIABLE FOR ANY DIRECT, SPECIAL, INCIDENTAL OR CONSEQUENTIAL DAMAGES RESULTING FROM ANY BREACH OF WARRANTY OR CONDITION, OR ARISING IN CONNECTION WITH THE SALE, USE OR REPAIR OF THE APPLIANCE, OR UNDER ANY OTHER LEGAL THEORY, INCLUDING BUT NOT LIMITED TO LOSS OF USE, LOSS OF REVENUE, LOSS OF ACTUAL OR ANTICIPATED PROFITS, LOSS OF THE USE OF MONEY, LOSS OF BUSINESS, LOSS OF OPPORTUNITY, LOSS OF GOODWILL, AND LOSS OF REPUTATION. THE MAXIMUM LIABILITY OF GENTEX SHALL NOT IN ANY CASE EXCEED THE PURCHASE PRICE PAID BY YOU FOR THE APPLIANCE. PLEASE NOTE THAT SOME STATES (COUNTRIES AND PROVINCES/TERRITORIES) DO NOT ALLOW THE EXCLUSION OR LIMITATION OF DIRECT, INCIDENTAL OR CONSEQUENTIAL DAMAGES, SO THE ABOVE LIMITATION OR EXCLUSION MAY NOT APPLY TO YOU.

If a defect in workmanship or materials causes your appliance to become inoperable within the warranty period, you must return the appliance to Gentex postage prepaid to: Gentex Corporation, 10985 Chicago Dr., Zeeland MI 49464. You must prove to the satisfaction of Gentex the date of purchase of your appliance. You must also enclose a return address. Warranty service may only be performed by Gentex personnel at Gentex's facilities in Zeeland, Michigan. You must also pack the appliance to minimize the risk of it being damaged in transit. If we receive an appliance in a damaged condition as the result of shipping, we will notify you and you must seek a claim with the shipper.

If you submit a valid claim to Gentex during the warranty period, Gentex will, at its option, repair your appliance or furnish you with a new or rebuilt appliance without charge to you except for postage required to return the appliance to us. Gentex will not reimburse you for repairs or replacement parts provided by other parties. Your repaired or replacement appliance will be returned to you free of charge and it will be covered under the warranty for the balance of the warranty period, if any. When a product or part is replaced, any replacement item becomes your property and the replaced item becomes property of Gentex. For additional warranty and product information go to www.gentex.com.

THIS WARRANTY GIVES YOU SPECIFIC LEGAL RIGHTS AND YOU MAY ALSO HAVE OTHER RIGHTS WHICH VARY FROM STATE TO STATE (OR BY COUNTRY OR PROVINCE/TERRITORY). BY THIS WARRANTY, GENTEX DOES NOT LIMIT OR EXCLUDE YOUR RIGHTS EXCEPT AS ALLOWED BY LAW. TO FULLY UNDERSTAND YOUR RIGHTS, YOU SHOULD CONSULT THE LAWS OF YOUR COUNTRY, PROVINCE/TERRITORY OR STATE.

Important Notice:

These materials have been prepared by Gentex Corporation ("Gentex") for informational purposes only, are necessarily summary, and are not purported to serve as legal advice and should not be used as such. Gentex makes no representations and warranties, express or implied, that these materials are complete and accurate, up-to-date, or in compliance with all relevant local, state and federal laws, regulations and rules. The materials do not address all legal considerations as there is inevitable uncertainty regarding interpretation of laws, regulations and rules and the application of such laws, regulations and rules to particular fact patterns. Each person's activities can differently affect the obligations that exist under applicable laws, regulations or rules. Therefore, these materials should be used only for informational purposes and should not be used as a substitute for seeking professional legal advice. Gentex will not be responsible for any action or failure to act in reliance upon the information contained in this material.

APPAREIL DE SIGNALISATION VISUELLE OU SONORE BASSE FRÉQUENCE

POUR DES RENSEIGNEMENTS SUPPLÉMENTAIRES SUR L'HOMOLOGATION CAN/ULC DU PRODUIT, VOIR LA PAGE 4.

I. INTRODUCTION

Les modèles Gentex GHLF et GHSLF de Gentex sont des appareils de signalisation visuelle ou sonore basse fréquence de grande qualité. Cet appareil diffuse un signal sonore basse fréquence pour assurer la sécurité des personnes et des biens. Le GHSLF est une unité de candela fixe; Les intensités de candela qui peuvent être commandées sont 15 cd, 110 cd et 177 cd. Les stroboscopes GHSLF sont homologués conformément à la norme ANSI/UL 1971.

Cet appareil convient parfaitement à tout type de bâtiment exigeant un appareil de signalisation conforme au code du bâtiment ou de sécurité incendie ou à tout bâtiment exigeant un moyen d'alarme fiable. Depuis le 1^{er} janvier 2014 et conformément à la norme NFPA 72, les appareils sonores installés dans les aires de repos doivent produire un signal d'alarme basse fréquence. À titre d'information, la norme 72 de la National Fire Protection Association (NFPA), édition 2013, chapitre 18, section 18.4.5 Exigences en matière d'aire de repos, stipule ce qui suit :

18.4.5.3 À compter du 1^{er} janvier 2014, les appareils sonores installés dans les aires de repos permettant de réveiller les occupants doivent produire un signal d'alarme basse fréquence conformément à ce qui suit :

- 1) Le signal d'alarme sera une onde carrée ou fournira une capacité de réveil équivalente.
- 2) L'onde aura une fréquence fondamentale de 520 Hz ± 10 pour cent

II. EMPLACEMENT

Cet appareil est destiné à l'intégration aux systèmes d'alarme incendie et doit être installé conformément au présent manuel, aux recommandations des autorités compétentes locales et aux normes NFPA régissant les normes pour les appareils de notification dans les systèmes de signalisation protectrice. Le GHLF et GHSLF doit être installé uniquement à l'intérieur; cet appareil n'est pas homologué pour les applications extérieures et n'est pas étanche au ruissellement.

La lentille au complet des stroboscopes et des avertisseurs ou stroboscopes muraux doit être placée au-dessus du plancher fini, à une hauteur située entre 80 po (2 m) et 96 po (2,4 m)**. L'espacement doit être conforme à ce qui est indiqué au Tableau A. Lorsque la pièce n'est pas carrée, il faut tenir compte d'une taille correspondant au volume total de la pièce ou subdiviser la pièce en de multiples carrés. La partie supérieure des avertisseurs muraux doit être placée au-dessus du plancher fini, à une hauteur d'au moins 90 po (2,30 m), tout en étant éloignée d'au moins 6 po (152 mm) du plafond. Les autorités compétentes peuvent permettre différentes hauteurs d'installation à la condition que les exigences de pression acoustique de la norme NFPA 72 soient respectées.

III. INSTALLATION ET POSE DE LA BOÎTE ET DES FILS

Cet appareil est conçu pour être installé sur la majorité des boîtes simples, des boîtes carrées de 4 po (102 mm) pour prise, des boîtes doubles pour maçonnerie ou des boîtes doubles non métalliques pour interrupteur. L'entrée du conduit sélectionnée sur la boîte doit assurer un dégagement approprié des fils.

1. Poser un câble de calibre d'un minimum de 18 comportant au moins 2 conducteurs.
2. Poser une boîte pour chaque appareil de signalisation. Visser le support sur la boîte. Insérer l'appareil sur le support et le faire glisser fermement vers la droite pour le brancher dans la prise du réceptacle. Mettre la vis de montage comme illustré, puis la serrer. Recouvrir l'ensemble du boîtier de plastique.

AVIS : LES FILS DOIVENT ÊTRE BRANCHÉS AU SUPPORT AVANT D'Y POSER L'APPAREIL DE SIGNALISATION. LE FIL D'ALIMENTATION POSITIF DOIT ÊTRE SCINDÉ EN DEUX, CHAQUE PARTIE ÉTANT INSÉRÉE DANS LES DEUX BORNES SUPÉRIEURES. UN SÉPARATEUR EST EN PLACE POUR ÉVITER QUE LES DEUX FILS SOIENT BRANCHÉS À LA MÊME BORNE.

IV. SORTIE DE L'APPAREIL DE SIGNALISATION SONORE

- ♦ LA CADENCE TEMPORELLE À TROIS TONALITÉS (TEMPORELLE 3) DOIT ÊTRE UTILISÉE UNIQUEMENT POUR L'ÉVACUATION.
 - ♦ LE SIGNAL STANDARD D'ALARME EN CAS D'INCENDIE EST UNE CADENCE TEMPORELLE À TROIS TONALITÉS. LA CADENCE COMPREND LES ÉLÉMENTS SUIVANTS DANS CET ORDRE :
 - (1) UNE PHASE « ON » (SOUS TENSION) DE 0,5 SECONDE ± 10 POUR CENT
 - (2) UNE PHASE « OFF » (HORS TENSION) DE 0,5 SECONDE ± 10 POUR CENT PENDANT LES TROIS PÉRIODES « ON » (SOUS TENSION) SUCCESSIVES
 - (3) UNE PHASE « OFF » (HORS TENSION) DE 1,5 SECONDE ± 10 POUR CENT
 LE CYCLE COMPLET DURE 4 SECONDES ± 10 POUR CENT
 - ♦ LA PUISSANCE NOMINALE DE SORTIE DE LA CADENCE TEMPORELLE À TROIS TONALITÉS EST PLUS BASSE PARCE QUE LE TEMPS PENDANT LEQUEL L'AVERTISSEUR EST HORS TENSION EST AJOUTÉ À LA MOYENNE DE LA PUISSANCE NOMINALE DE SORTIE. LES APPAREILS ONT FAIT L'OBJET D'ESSAI À 0 °C, À 49 °C ET À UNE HUMIDITÉ DE 93 %.
 - ♦ LA CADENCE TEMPORELLE À QUATRE TONALITÉS (TEMPORELLE 4) DOIT ÊTRE UTILISÉE UNIQUEMENT POUR LES AVERTISSEURS DE MONOXYDE DE CARBONE.
 - ♦ LES AVERTISSEURS DE MONOXYDE DE CARBONE STANDARD ONT UNE CADENCE TEMPORELLE À QUATRE TONALITÉS. LE SIGNAL SONORE DE L'AVERTISSEUR DE MONOXYDE DE CARBONE SERA CONFORME À CE QUI SUIT :
 - (1) LES SIGNAUX AURONT UNE CADENCE À TONALITÉ UNIQUE COMPRENANT QUATRE CYCLES DE 100 MILLISECONDES ± 10 POUR CENT EN PHASE « ON » (SOUS TENSION) ET DE 100 MILLISECONDES ± 10 POUR CENT EN PHASE « OFF » (HORS TENSION), SUIVIE D'UNE PHASE « OFF » (HORS TENSION) DE 5 SECONDES ± 10 POUR CENT.
 - (2) APRÈS LES 4 MINUTES INITIALES DE L'ALARME, LE TEMPS DE LA PHASE « OFF » (HORS TENSION) DE 5 SECONDES POURRA ÊTRE PORTÉ À 60 SECONDES ± 10 POUR CENT.
- ♦ LA CADENCE TEMPORELLE À QUATRE TONALITÉS (TEMPORELLE 4) PEUT ÊTRE OBTENUE AVEC CE PRODUIT LORSQU'IL EST UTILISÉ AVEC LE MODULE DE SYNCHRONISATION GTSM OU LE PROTOCOLE DE SYNCHRONISATION GTSM GENTEX.

RENSEIGNEMENTS SUR LE PRODUIT: GHLF

GHLF NIVEAUX SONORES (dB) DE L'AVERTISSEUR ET CARACTÉRISTIQUES NOMINALES DE COURANT

| Mode de l'avertisseur | Niveaux sonores (dB) de l'avertisseur : Pièce réverbérante | | Caractéristiques nominales de courant pour un avertisseur de 24 V c.c. (mA) | | | | Caractéristiques nominales de courant de l'avertisseur pour une plage de tensions d'entrée de 16 à 33 V (mA) ¹ | | | |
|-----------------------------|--|--|---|--|---|---|---|--|---|---|
| | dBnps minimum à 10 pi (3,04 m) selon la norme ANSI/UL 464 (NORMAL) | dBnps minimum à 10 pi (3,04 m) selon la norme ANSI/UL 464 (FORT) | 24 V c.c. Courant de fonctionnement (NORMAL) | 24 V c.c. Courant de fonctionnement (FORT) | 24 V RDA Courant de fonctionnement (NORMAL) | 24 V RDA Courant de fonctionnement (FORT) | Tension stabilisée maximum de 24 V c.c. Courant de fonctionnement (NORMAL) | Tension stabilisée maximum de 24 V c.c. Courant de fonctionnement (FORT) | Tension stabilisée maximum de 24 V RDA Courant de fonctionnement (NORMAL) | Tension stabilisée maximum de 24 V RDA Courant de fonctionnement (FORT) |
| Temp. 3 520 Hz | 77.8 dBA | 79.8 dBA | 72.1 mA | 120.1 mA | 104.6 mA | 158.4 mA | 99.4 mA | 155.8 mA | 152.1 mA | 213.5 mA |
| Temp. 4 520 Hz ¹ | 81.5 dBA | 83.4 dBA | 75.9 mA | 116.0 mA | 182.1 mA | 182.0 mA | 100.1 mA | 157.2 mA | 163.1 mA | 235.2 mA |

¹ Temp. 4 520 Hz, mesuré conformément à la norme ANSI/UL 2075.

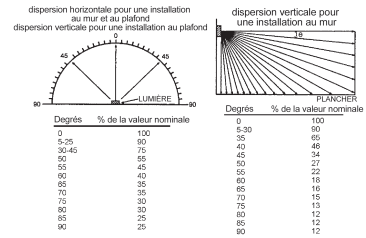
RENSEIGNEMENTS SUR LE PRODUIT: GHSLF

Tableau A

| Espacement dans la pièce pour des appareils de signalisation visuelle installés au mur, selon la norme NFPA 72, Edition 2013. | | | |
|---|-----------|---|-------------------------------------|
| Taille maximum de la pièce | | Puissance lumineuse minimum exigée (intensité efficace, cd) | |
| Mètres | Pieds | Un tube par pièce | Quatre tubes par pièce (un par mur) |
| 6,10 x 6,10 | 20 x 20 | 15 | N.A. |
| 8,53 x 8,53 | 28 x 28 | 30 | N.A. |
| 9,14 x 9,14 | 30 x 30 | 34 | N.A. |
| 12,2 x 12,2 | 40 x 40 | 60 | 15 |
| 13,7 x 13,7 | 45 x 45 | 75 | 19 |
| 15,2 x 15,2 | 50 x 50 | 94 | 30 |
| 16,5 x 16,5 | 54 x 54 | 110 | 30 |
| 16,8 x 16,8 | 55 x 55 | 115 | 30 |
| 18,3 x 18,3 | 60 x 60 | 135 | 30 |
| 19,2 x 19,2 | 63 x 63 | 150 | 37 |
| 20,7 x 20,7 | 68 x 68 | 177 | 43 |
| 21,3 x 21,3 | 70 x 70 | 184 | 60 |
| 24,4 x 24,4 | 80 x 80 | 240 | 60 |
| 27,4 x 27,4 | 90 x 90 | 304 | 95 |
| 30,5 x 30,5 | 100 x 100 | 375 | 95 |
| 33,5 x 33,5 | 110 x 110 | 455 | 135 |
| 36,6 x 36,6 | 120 x 120 | 540 | 135 |
| 39,6 x 39,6 | 130 x 130 | 635 | 185 |

N.A. = Non autorisé

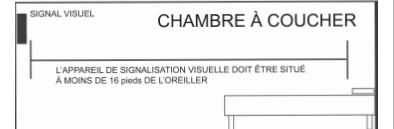
POURCENTAGE DE L'INTENSITÉ LUMINEUSE MESURÉE DANS LES DIRECTIONS SUIVANTES – SELON LA NORME UL1971



**Exigences d'intensité efficace pour les chambres à coucher

| Appareil de signalisation visuelle | |
|---|-----------|
| Distance entre le plafond et le dessus de la lentille | Intensité |
| supérieure ou égale à 24 po | 110 cd |
| et inférieure à 24 po | 177 cd |

AVERTISSEMENT :
Le stroboscope doit être installé à moins de 16 pieds de tout oreiller lorsqu'il est placé dans une chambre à coucher.



GHSLF NIVEAUX SONORES (dB) DE L'AVERTISSEUR ET CARACTÉRISTIQUES NOMINALES DE COURANT

| Mode de l'avertisseur | Niveaux sonores (dB) de l'avertisseur : Pièce réverbérante | |
|-----------------------------|--|--|
| | dBnps minimum à 10 pi (3,04 m) selon la norme ANSI/UL 464 (NORMAL) | dBnps minimum à 10 pi (3,04 m) selon la norme ANSI/UL 464 (FORT) |
| Temp. 3 520 Hz | 76.3 dBA | 78.8 dBA |
| Temp. 4 520 Hz ¹ | 80.6 dBA | 82.0 dBA |

- Temp. 4 520 Hz, mesuré conformément à la norme ANSI/UL 2075.
- Conseillé

| Intensité lumineuse du stroboscope | Mode de l'avertisseur | Caractéristiques nominales de courant pour un avertisseur de 24 V c.c. (mA) | | | | Caractéristiques nominales de courant de l'avertisseur pour une plage de tensions d'entrée de 16 à 33 V (mA) ² | | | |
|------------------------------------|-----------------------|---|--|---|---|---|--|--|---|
| | | 24 V c.c. Courant de fonctionnement (NORMAL) | 24 V c.c. Courant de fonctionnement (FORT) | 24 V RDA Courant de fonctionnement (NORMAL) | 24 V RDA Courant de fonctionnement (FORT) | Tension stabilisée maximum de 24 V c.c. Courant de fonctionnement (NORMAL) | Tension stabilisée maximum de 24 V c.c. Courant de fonctionnement (FORT) | Tension stabilisée maximum de 24 V c.c. Courant de fonctionnement (NORMAL) | Tension stabilisée maximum de 24 V RDA Courant de fonctionnement (FORT) |
| 15 | Temp. 3 520 Hz | 112.0 mA | 144.0 mA | 163.0 mA | 198.0 mA | 124.0 mA | 182.0 mA | 201.0 mA | 252.0 mA |
| | Temp. 4 520 Hz | 158.0 mA | 175.0 mA | 210.0 mA | 269.0 mA | 195.0 mA | 291.0 mA | 273.0 mA | 339.0 mA |
| 110 | Temp. 3 520 Hz | 193.0 mA | 223.0 mA | 259.0 mA | 295.0 mA | 280.0 mA | 326.0 mA | 348.0 mA | 427.0 mA |
| | Temp. 4 520 Hz | 241.0 mA | 291.0 mA | 325.0 mA | 383.0 mA | 384.0 mA | 474.0 mA | 470.0 mA | 555.0 mA |
| 177 | Temp. 3 520 Hz | 268.0 mA | 293.0 mA | 325.0 mA | 329.0 mA | 365.0 mA | 393.0 mA | 465.0 mA | 478.0 mA |
| | Temp. 4 520 Hz | 337.0 mA | 391.0 mA | 428.0 mA | 477.0 mA | 427.0 mA | 525.0 mA | 639.0 mA | 759.0 mA |

S.O. : Les données relatives au courant de fonctionnement 24 V c.c. ne sont pas disponibles.

V. CÂBLAGE

Câblage pour la synchronisation du stroboscope et de l'avertisseur.

Avec cette méthode, vous pouvez :

- Utiliser le protocole de synchronisation GTSM Gentex pour assurer la synchronisation des cadences temporelles à trois tonalités et à quatre tonalités et pour désactiver l'avertisseur, le cas échéant.

AVIS :

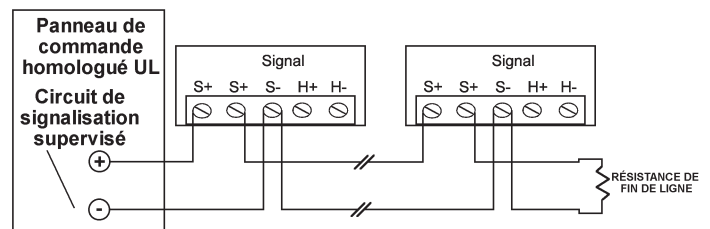
- CET APPAREIL N'EST PAS RECOMMANDÉ POUR LES CIRCUITS DE SIGNALISATION CODIFIÉE OU PULSÉE. CEPENDANT, UTILISER LE MODULE DE COMMANDE GTSM POUR SYNCHRONISER L'AVERTISSEUR.
- LA CADENCE TEMPORELLE À QUATRE TONALITÉS (TEMPORELLE 4) PEUT ÊTRE OBTENUE AVEC CE PRODUIT LORSQU'IL EST UTILISÉ AVEC LE MODULE DE SYNCHRONISATION GTSM OU LE PROTOCOLE DE SYNCHRONISATION GTSM GENTEX.
- VOIR LE MANUEL DU MODULE DE COMMANDE GTSM (550-0632, DATE DE PUBLICATION DU MANUEL 01-02-15) POUR LA SYNCHRONISATION SCHÉMAS DE CÂBLAGE DU MODULE. ON PEUT SE PROCURER LE MANUEL DU GTSM SUR LE SITE WEB [HTTP://WWW.GENTEX.COM/FIRE/PRODUCTS](http://www.gentex.com/fire/products) OU EN APPELANT LA SOCIÉTÉ GENTEX AU 1 (800) 436-8391.

Méthode conventionnelle :

Vous pouvez brancher directement l'avertisseur à une source d'alimentation nominale sans aucun module de commande. Toutefois, les avertisseurs NE seront PAS synchronisés.

| DISTANCE MAX. DE FIL = $\left[\frac{\text{(TENSION AU PANNEAU/TENSION MIN. DE L'APPAREIL)} \times \text{CONDUCTIVITÉ DES FILS}}{\text{APPEL DE COURANT TOTAL}} \right]$ (EN PIEDS) | |
|---|--------------|
| FIL | CONDUCTIVITÉ |
| 18 AWG | 60 |
| 16 AWG | 95 |
| 14 AWG | 153 |
| 12 AWG | 244 |

Comprend le fil à destination et au retour de l'appareil. **AVERTISSEMENT:** S'applique uniquement aux installations réglementées. On suppose que tous les appareils sont situés à l'extrémité du segment de fil (pire des situations).



MISE EN GARDE : pour le GHLF et GHSLF, uniquement les bornes S+ et S- doivent être raccordées au module FACP. Les bornes H+ H- doivent être utilisées pour la sélection du niveau de dBA à l'aide de la carte d'interconnexion des tonalités fournie. **N'APPLIQUER AUCUNE TENSION AUX BORNES H+ ET H-.**

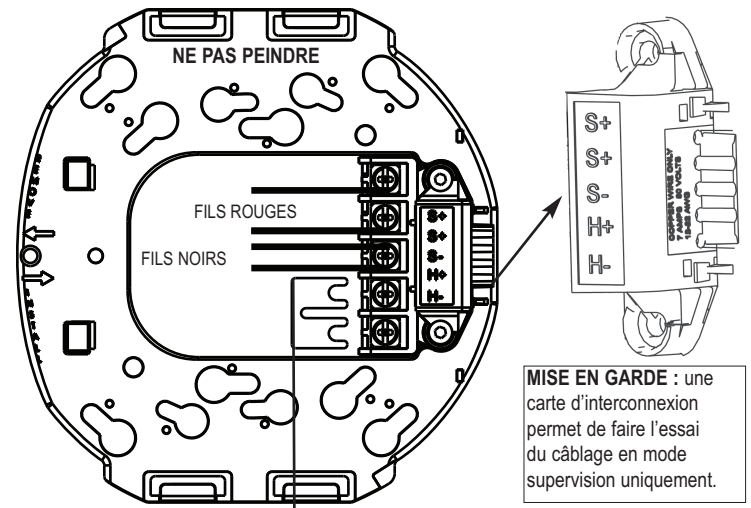
Support de fixation Super-Slide^{MD} de Gentex :

Permet à l'installateur de pré-câbler le système, de faire l'essai de contrôle du système, de retirer la tête de signalisation jusqu'à ce que la pièce soit occupée, de désactiver la signalisation Gentex sans modifier le support de fixation, en plus d'avoir un connecteur avec verrouillage latéral pour une installation par enclenchement.

Fonction Checkmate^{MD} de Gentex pour la vérification instantanée de la tension :

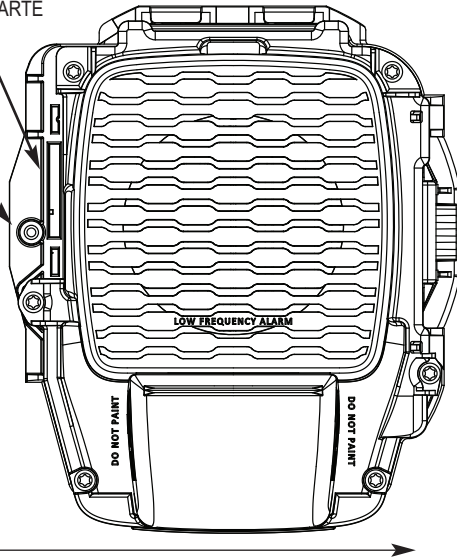
Il est parfois nécessaire de confirmer la chute de tension dans un groupe de dispositifs branchés en série. Les trous d'accès à l'arrière du bornier permettent de mesurer directement la tension sans retirer du dispositif. Habituellement, cette vérification est effectuée en fin de série pour confirmer les critères de conception. La majorité des mesures sont effectuées aux bornes S+ et S-, même s'il est possible d'accéder à d'autres emplacements.

AVIS : IL FAUT PRENDRE SOIN DE NE PAS COURT-CIRCUITER LES SONDAS D'ESSAI.



LOGEMENT DE LA CARTE D'INTERCONNEXION

VIS DE VERROUILLAGE (en option)



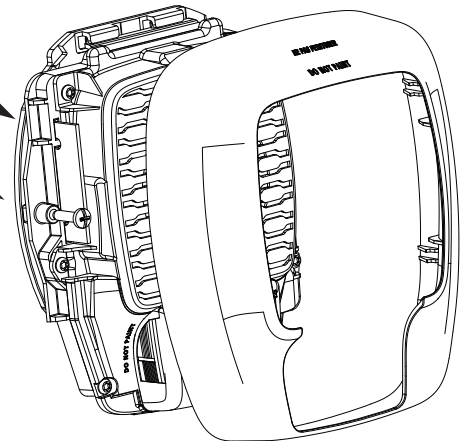
FAIRE GLISSER SUR LE SUPPORT

AVIS : LE SCHEMA CI-DESSUS ILLUSTRE L'INSTALLATION APPROPRIÉE DU SUPPORT; LE CÂBLAGE DU BORNIER EST ILLUSTRÉ À DROITE.

AVIS: EN OPTION JAMBE D'INSTALLATION DE DECIBEL FORT

LOGEMENT DE LA CARTE D'INTERCONNEXION

VIS DE VERROUILLAGE (en option)



POUR RETIRER LE CADRE, SERRER SES PARTIES SUPÉRIEURE ET INFÉRIEURE JUSQU'À CE QUE LE CADRE SE DÉCROCHE DU SUPPORT.

⚠ AVERTISSEMENT

CET APPAREIL NE FONCTIONNE PAS SANS ALIMENTATION ÉLECTRIQUE. COMME LES INCENDIES ENTRAÎNENT SOUVENT DES PANNES DE COURANT, GENTEX RECOMMANDE DE DISCUTER DE MESURES DE PROTECTION SUPPLÉMENTAIRES AVEC LE SPÉCIALISTE LOCAL EN PROTECTION INCENDIE.

VI VÉRIFICATION ET DÉPANNAGE

1. Alimenter le panneau de commande du système. Les appareils de signalisation auxiliaires du système ne devraient pas être activés.
2. Cependant, s'ils le sont :
 - Vérifier tous les détecteurs de fumée et d'incendie du système pour s'assurer qu'ils n'ont pas été activés.
 - Vérifier tous les branchements pour s'assurer que les circuits de détection ne sont pas inversés ou court-circuités. Vérifier les codes de couleur des fils et en faire le suivi.
 - S'assurer que les cavaliers et les commutateurs sont correctement configurés dans le module de commande et dans les appareils de signalisation. Si le fil d'interconnexion du module GTSM est retiré, les avertisseurs ne produiront aucun son, à moins qu'une entrée soit raccordée aux bornes H+ et H- du module de commande.
3. Pour vérifier les appareils de signalisation, déclencher le panneau auxiliaire ou activer le circuit d'alarme du panneau de commande principal; vous pouvez aussi déclencher l'un des appareils de détection d'incendie du système. Tous les appareils de signalisation auxiliaires devraient être activés.
4. Un essai opérationnel de ce produit doit être effectué conformément aux exigences des normes nationales ou à tout le moins une fois par année ou selon une fréquence supérieure en fonction des exigences des autorités compétentes ou des codes provinciaux ou locaux.

AVIS : CES PROCÉDURES D'ESSAI ET DIRECTIVES DE DÉPANNAGE SONT DE NATURE GÉNÉRALE. SE REPORTER AUX INSTRUCTIONS D'UTILISATION DU PANNEAU DE COMMANDE DU SYSTÈME POUR CONNAÎTRE LE FONCTIONNEMENT APPROPRIÉ DU PANNEAU ET DU SYSTÈME DE DÉTECTION D'INCENDIE.

LIMITES DE L'APPAREIL DE SIGNALISATION :

L'avertisseur est conforme aux exigences actuelles de la norme ANSI/UL 464, ou les dépasse, en matière d'audibilité de la norme. Quoi qu'il en soit, si l'appareil est situé en dehors de la chambre à coucher, il se pourrait qu'il ne réveille pas une personne endormie, particulièrement si la porte de la chambre est fermée ou partiellement ouverte.

VII. POUR RETOURNER UN APPAREIL

En cas de problème avec votre appareil, procéder comme suit :

1. Couper l'alimentation électrique du circuit d'alarme auxiliaire.
2. Retirer le cadre, enlever la vis de fixation, puis le faire glisser hors du support.
3. Remplacer l'appareil enlevé pour rétablir la fonction de supervision du câblage et supprimer le signal de dérangement.
4. Emballer avec soin l'appareil défectueux (le fabricant n'est pas tenu responsable des dommages indirects attribuables à l'expédition ou aux erreurs de manutention. Indiquer votre adresse et décrire en détail la nature du problème et la date d'installation.
5. Retourner à : Gentex Corporation, 10985 Chicago Dr., Zeeland MI 49464. Avant de retourner l'appareil, appeler Gentex au 1 800 436-8391 ou envoyer un courriel à l'adresse FP_RMA@gentex.com pour obtenir un numéro d'autorisation de retour (RMA) du Service à la clientèle.

CONSIGNES SUPPLÉMENTAIRES POUR LES APPAREILS DE SIGNALISATION SONORE : CAN/ULC

RENSEIGNEMENTS SUR LE PRODUIT

Cet appareil diffuse un signal de notification sonore pour assurer la sécurité des personnes et des biens. Cet appareil convient parfaitement à tout type d'occupation devant être doté d'appareils de signalisation conformément au code du bâtiment ou de sécurité incendie ou à tout bâtiment exigeant un moyen d'alarme fiable. Cet appareil est homologué conformément à la norme CAN/ULC S525 ou CAN/ULC S526. Il est destiné à l'utilisation dans les systèmes d'alarme incendie et doit être installé conformément aux directives du présent manuel, du Code national du bâtiment du Canada, à la norme CAN/ULC S524 et aux codes locaux régissant les normes pour les appareils de notification dans les systèmes de signalisation de protection. Gentex recommande de disposer les appareils de signalisation conformément aux exigences d'espacement de la norme CAN/ULC S524.

Cet appareil est conçu pour être installé sur la majorité des boîtes simples, des boîtes carrées de 4 po (102 mm) pour prise, des boîtes doubles pour maçonnerie ou des boîtes doubles non métalliques pour interrupteur. L'entrée du conduit sélectionnée sur la boîte doit assurer un dégagement approprié des fils.

1. Le câblage doit être conforme au Code canadien de l'électricité C22.1, Partie 1, Safety Standard for Electrical Installations, Sec. 32.
2. Poser un câble de calibre minimum d'un de 18 comportant au moins 2 conducteurs.
3. Poser une boîte pour chaque appareil de signalisation. Visser le support sur la boîte. Insérer l'appareil sur le support et le faire glisser fermement vers la droite pour le brancher dans la prise du réceptacle. Mettre la vis de montage comme illustré, puis la serrer. Recouvrir l'ensemble du boîtier de plastique.

RENSEIGNEMENTS CAN/ULC SUR LE PRODUIT – CARACTÉRISTIQUES NOMINALES D'INTENSITÉ ACOUSTIQUE ET DE COURANT AVERTISSEUR

- OBTENIR LE DÉCIBEL DE CORNE CAN/ULC ET LES VALEURS NOMINALES DE COURANT POUR L'APPAREIL AUDITIF GHLF, VOIR INFORMATIONS SUR LA PAGE 1.
- OBTENIR LE DÉCIBEL DE CORNE CAN/ULC ET LES VALEURS NOMINALES DE COURANT POUR L'APPAREIL AUDITIF GHSLF, VOIR INFORMATIONS SUR LA PAGE 2.

CARACTÉRISTIQUES SONORES NOMINALES EN DÉCIBELS DANS UNE CHAMBRE ANÉCHOÏQUE ULC (dBA à 3 mètres) POUR UN AVERTISSEUR

| Mode de l'avertisseur | Tension stabilisée minimum de 24 V RDA Caractéristiques nominales dBnps |
|--------------------------|---|
| Temp. 3 520 Hz (NORMAL)* | 84.7 dBA |
| Temp. 3 520 Hz (FORT)* | 88.3 dBA |
| Temp. 4 520 Hz (NORMAL)* | 84.7 dBA |
| Temp. 4 520 Hz (FORT)* | 88.3 dBA |

CARACTÉRISTIQUES SONORES NOMINALES EN DÉCIBELS DANS UNE CHAMBRE ANÉCHOÏQUE ULC (dBA à 3 mètres) POUR UN AVERTISSEUR/STROBOSCOPE

| Mode de l'avertisseur | Tension stabilisée minimum de 24 V RDA Caractéristiques nominales dBnps |
|--------------------------|---|
| Temp. 3 520 Hz (NORMAL)* | 88.2 dBA |
| Temp. 3 520 Hz (FORT)* | 90.1 dBA |
| Temp. 4 520 Hz (NORMAL)* | 87.1 dBA |
| Temp. 4 520 Hz (FORT)* | 88.0 dBA |

AVIS :

- LE CODE NATIONAL DU BÂTIMENT ET LA NORME CAN/ULC S525 EXIGENT QUE TOUS LES AVERTISSEURS DESTINÉS À L'ÉVACUATION DU BÂTIMENT DIFFUSENT DES SIGNAUX TEMPORELS CODIFIÉS.
- LES APPAREILS ONT FAIT L'OBJET D'ESSAIS À 0 °C, À 49 °C ET À UNE HUMIDITÉ DE 93 %.
- LA CADENCE TEMPORELLE À QUATRE TONALITÉS (TEMPORELLE 4) PEUT ÊTRE OBTENUE AVEC CE PRODUIT LORSQU'IL UTILISÉ AVEC LE MODULE DE SYNCHRONISATION GTSM OU LE PROTOCOLE DE SYNCHRONISATION GTSM GENTEX.

| Caractéristiques sonores directionnelles : pour un avertisseur et un avertisseur/stroboscope | |
|--|------------------|
| | Angle horizontal |
| -3 dBA | 155 et 55 |
| -6 dBA | ❖ |
| | Angle vertical |
| -3 dBA | 150 et 55 |
| -6 dBA | 150 |

❖ = AUCUNE PERTE MESURÉE

* Temp 4 520 Hz mesuré conformément à la norme ANSI/UL 2075

GARANTIE LIMITÉE

Pour une période de 36 mois à compter de la date d'achat ou un maximum de 42 mois à compter de la date de fabrication (ou aussi longtemps que requis par la loi applicable), Gentex vous garantit que l'appareil décrit dans ce livret d'information produit Être exempt de défauts de fabrication et de matériaux dans des conditions normales d'utilisation et de service.

Cette garantie est nulle et sans effet lorsque les dommages ou la défectuosité sont attribuables : à un accident, un usage abusif, un abus, une utilisation anormale, une installation fautive, un contact avec un liquide, un incendie, un séisme ou toute autre cause externe; à l'utilisation de l'appareil en dehors des directives établies par Gentex; à l'entretien, la modification, la maintenance ou la réparation effectuée par toute autre entreprise que Gentex. Cette garantie ne transfère pas aux propriétaires ou acheteurs ultérieurs de cet appareil. Cette garantie ne s'applique pas non plus : aux pièces consommables, comme les piles; aux dommages cosmétiques, y compris, mais sans en exclure d'autres, aux égratignures ou bosses; aux défaillances attribuables à l'usure normale ou au vieillissement normal de l'appareil; si le numéro de série de l'appareil a été supprimé ou altéré.

DANS LES LIMITES AUTORISÉES PAR LA LOI, LA PRÉSENTE GARANTIE ET LES RECOURS QUI Y SONT DÉFINIS SONT EXCLUSIFS ET REMPLACENT TOUTE AUTRE GARANTIE, RECOURS ET CONDITION, QU'ELLES SOIENT ORALES, ÉCRITES, LÉGALES, EXPRESSÉS OU IMPLICITES. GENTEX DÉCLINE TOUTE GARANTIE LÉGALE ET IMPLICITE, Y COMPRIS, MAIS NON DE FAÇON LIMITATIVE, TOUTE GARANTIE DE COMMERCIALITÉ OU D'ADAPTATION À UN USAGE PARTICULIER AINSI QUE LES GARANTIES CONTRE LES VICES CACHÉS OU LES DÉFAUTS LATENTS, DANS LES LIMITES AUTORISÉES PAR LA LOI. DANS LA MESURE OU CES GARANTIES NE PEUVENT ÊTRE REJETÉES, ET DANS LA MESURE PERMISE PAR LA LOI APPLICABLE, TOUTE GARANTIE IMPLICITE S'APPLIQUE UNIQUEMENT À LA PÉRIODE DE GARANTIE INDIQUÉE PLUS HAUT. À NOTER QUE CERTAINS ÉTATS (PAYS ET PROVINCES/TERRITOIRES) N'ACCEPTENT PAS LES LIMITATIONS QUANT À LA DURÉE DES GARANTIES (OU DES CONDITIONS) IMPLICITES. IL SE PEUT DONC QUE LES LIMITATIONS CI-DESSUS NE S'APPLIQUENT PAS DANS VOTRE CAS. DANS LA MESURE OU CELA N'EST PAS EXCLU DANS LA PRÉSENTE GARANTIE ET DANS LES LIMITES AUTORISÉES PAR LA LOI, GENTEX NE POURRA ÊTRE TENU RESPONSABLE DES DOMMAGES DIRECTS, SPÉCIAUX, INDIRECTS OU CONSÉCUTIFS DÉCOULANT DE TOUTE CONDITION OU BRIS DE LA GARANTIE OU PORTANT SUR LA VENTE, L'UTILISATION OU LA RÉPARATION DE L'APPAREIL, OU DE TOUTE AUTRE THÉORIE LÉGALE, Y COMPRIS, MAIS NON DE FAÇON LIMITATIVE, DE LA PERTE D'USAGE, DE REVENUS OU DE PROFITS RÉELS OU ANTICIPÉS, DE LA PERTE D'UTILISATION DES FONDS, D'AFFAIRES OU D'OCCASIONS, DE LA PERTE DE CLIENTÈLE OU DE L'ATTEINTE À LA RÉPUTATION. LA RESPONSABILITÉ MAXIMALE DE GENTEX NE PEUT EN AUCUN CAS ÊTRE SUPÉRIEURE AU PRIX D'ACHAT DE L'APPAREIL. VEUILLEZ NOTER QUE CERTAINS ÉTATS (PAYS ET PROVINCES/TERRITOIRES) N'AUTORISENT PAS L'EXCLUSION OU LA LIMITATION DES DOMMAGES DIRECTS, ACCIDENTELS OU CONSÉCUTIFS, DE SORTE QUE LES LIMITATIONS OU EXCLUSIONS CI-DESSUS POURRAIENT NE PAS S'APPLIQUER DANS VOTRE CAS.

Si un défaut de fabrication ou de matériau entraîne la défaillance de votre appareil pendant la période de garantie, vous devez le retourner à Gentex, port payé, à l'adresse suivante : Gentex Corporation, 10985 Chicago Dr., Zeeland MI 49464. Vous devez apporter la preuve de la date d'achat de l'appareil, à la satisfaction de Gentex. Vous devez aussi fournir votre adresse pour le retour de l'appareil. Le service sous garantie peut être uniquement exécuté par le personnel de Gentex, dans les installations de Gentex de Zeeland au Michigan. Il faut aussi emballer soigneusement l'appareil pour réduire au minimum les risques de dommage pendant le transport. Si nous recevons un appareil endommagé en cours de transport, nous vous en aviserons et il vous reviendra d'obtenir dédommagement de la part du transporteur.

Si vous transmettez une demande valable à Gentex pendant la période de garantie, Gentex assumera, sans frais et à sa discrétion, la réparation de votre appareil ou vous fournira un appareil neuf ou remis à neuf; vous n'aurez qu'à assumer les frais d'acheminement de l'appareil par la poste. Gentex ne s'engage pas à rembourser les frais des pièces de rechange ou des réparations effectuées par d'autres parties. L'appareil réparé ou de remplacement vous sera retourné sans frais et il sera couvert en vertu de la garantie pendant la période de garantie résiduelle, le cas échéant. Lors du remplacement d'un produit ou d'une pièce, l'élément de remplacement devient votre propriété tandis que l'élément remplacé devient la propriété de Gentex. Pour de plus amples renseignements sur la garantie ou le produit, visitez www.gentex.com.

LA PRÉSENTE GARANTIE VOUS ACCORDE DES DROITS PARTICULIERS, MAIS IL SE POURRAIT QUE VOUS AYEZ AUSSI D'AUTRES DROITS, QUI VARIENT D'UN ÉTAT (OU PAYS OU PROVINCE/TERRITOIRE) À L'AUTRE. DANS LA PRÉSENTE GARANTIE, GENTEX NE LIMITE PAS VOS DROITS ET N'EN EXCLUT AUCUN, DU MOINS DANS LES LIMITES AUTORISÉES PAR LA LOI. POUR BIEN COMPRENDRE VOS DROITS, VOUS DEVRIEZ CONSULTER LA LÉGISLATION DE VOTRE PAYS, PROVINCE/TERRITOIRE OU ÉTAT.

Avis important :

Ces renseignements ont été préparés par Gentex Corporation (ci-après « Gentex ») à titre informatif uniquement; ils sont de nature sommaire et ne constituent nullement des avis juridiques et ne doivent pas être utilisés à une telle fin. À cet égard, Gentex ne fait aucune représentation ni garantie, explicite ou implicite, que ces renseignements sont exhaustifs et exacts, à jour, ou conformes aux lois, règlements ou règles locales, provinciales ou fédérales. Ces renseignements ne tiennent pas compte de toutes les considérations juridiques, en raison des inévitables incertitudes quant à l'interprétation des lois et règlements et à la mise en application de ces lois et règlements en fonction des situations particulières. Les activités de chaque personne peuvent modifier les obligations pertinentes en vertu des lois ou des règlements en vigueur. Par conséquent, ces renseignements ne doivent être utilisés qu'à des fins informationnelles et ne doivent pas servir à remplacer un avis juridique professionnel. Gentex n'assumera aucune responsabilité quant aux mesures ou activités qui pourraient être, ou ne pas être, prises ou effectuées à la suite de ces renseignements.